



TRADITIONAL GAS FIREPLACES



regency-fire.com

WHY CHOOSE REGENCY?

For the past 40+ years Regency has been focused on creating innovative, high-quality and reliable products that reduce heating costs and add true value to the home. We design all our products to be durable and last a lifetime so that our customers can enjoy them for years to come.

HIGH-QUALITY

Producing a high-quality product has been at the very heart of what we do from when that very first stove rolled off the production line over 40 years ago to today. We are ever-focused on producing quality products for our customers that will last for years to come.

BEST WARRANTY

A fireplace should be reliable and should work right the first time it is used, and the 1,000th. A core part of our business is making sure that we are building long-lasting, durable, high-quality products; we back-up that commitment with the industry's best warranty on all our products.

COST-EFFICIENT

Never before have home heating costs been higher. Turn your furnace way down and zone heat with our beautiful, reliable and convenient Regency products. Not only can you cut your fuel bills in half, but you'll be able to enjoy the timeless comfort of a Regency fire.

Why Regency? Because it's *more* than a fireplace!



TABLE OF CONTENTS

Regency Grandview Gas Fireplaces	
G800EC, G800C, G800EH	06
G600EC, G600C	08
Regency Bellavista® Gas Fireplaces	
B36XTCE, B36XTE	10
B41XTCE, B41XTE	12
Regency Panorama® Gas Fireplaces	
P36, P36E, P36D	14
P33, P33E, P33CE	16
Regency Excalibur® Gas Fireplace	
P90E	18
Design Choices & Options	20
Specifications	24



INTRODUCING REGENCY'S NEWEST LINE
GRANDVIEW™ GAS FIREPLACES



G800EC shown with oak log set and rustic brown brick panels in a cool wall clean front install using wallpaper.

One Fireplace, Unlimited Possibilities

Designed using customer feedback, the Regency Grandview gas fireplace is our most flexible fireplace yet! The Grandview series offers stunning flame pictures and full customization, allowing homeowners to pick and choose the accessories and elements that best suit their style – with over 960 combinations, there is a Grandview for every home and every style.

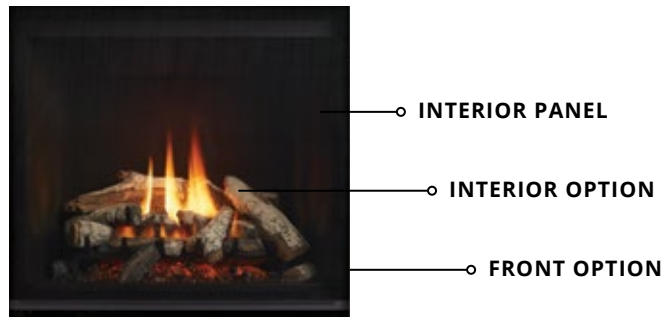
Choose from traditional installation or utilize Regency's patented Cool Wall System to provide ultimate design flexibility. The Regency Cool Wall system allows the use of virtually any material to the edge of the fireplace or the placement of TVs or artwork directly above the fire; without any limitations.

COOL WALL SYSTEM ADVANTAGES

- Place a TV above the fireplace without it getting damaged
- Hang artwork without fear of warping
- Paint will not discolor, drywall will not crack
- No internal fans required
- Use any finish right to the edge of the fire, even wood or wallpaper

OPTIONS & ACCESSORIES FOR GRANDVIEW

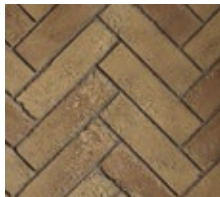
CHOOSE YOUR LOOK



MULTIPLE INTERIOR PANELS



Rustic Brown Brick Panels



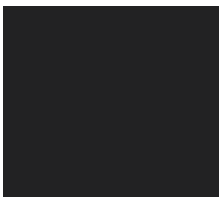
Herringbone - Rustic Brown Brick Panels



Volcanic Black Brick Panels



Castlestone Grey (available for G600 & G800 series only)



Painted Black Steel Panels



Black Enamel Reflective Panels

MULTIPLE INTERIOR OPTIONS



Birch Log Set



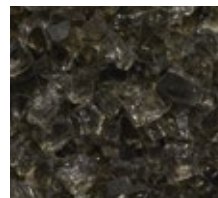
Oak Log Set



Driftwood Log Set



Crushed Glass - Ginger



Crushed Glass - Coal Black



Crushed Glass - Iceberg



Volcanic Stones

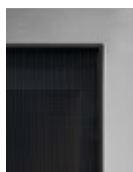
MULTIPLE FRONT OPTIONS



Clean Front Finishing Trim



Outside Finishing Trim



Faceplate

FACEPLATE AVAILABLE IN THREE COLORS:



Black



Brushed Nickel



Antique Copper

REGENCY GRANDVIEW™ - G800EC • G800C • G800EH

Medium Gas Fireplaces



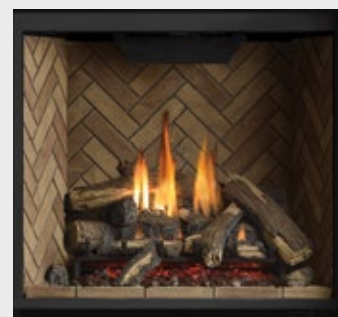
G800EH shown with driftwood log set and volcanic black enamel panels.



G800EH - Birch log set and castlestone brick panels



G800EC/G800C - Iceberg crushed glass, volcanic stones and black steel panels



G800EC/G800C - Oak log set and herringbone brick panels

YOUR FIREPLACE, YOUR WAY

Choose your stunning flame picture, choose your accessories, and create a one-of-a-kind fireplace. The Regency Grandview G800 is the first of our Grandview series of gas fireplaces that are designed to maximize choice and customization.

SPECIFICATIONS	G800EC		G800C		G800EH	
	NATURAL GAS	PROPANE	NATURAL GAS	PROPANE	NATURAL GAS	PROPANE
Input (BTU)	27,000	25,500	27,000	26,500	36,000	34,000
Turn down to (BTU)	15,000	21,000	15,000	14,500	19,500	27,000
Efficiency (steady state)	65.20%	68.16%	61.12%	63.62%	65.20%	68.16%
EnerGuide Rating (Canada only)	55.96%	57.74%	55.96%	55.03%	58.73%	57.94%

DIMENSIONS	
Viewing Area	800 sq. in.
Width	35-7/8"
Height	35-7/8"
Depth	16-7/8"

For detailed specifications please see page 24.



G800EC shown with birch log set and volcanic black brick panels.



G800EC/G800C - Iceberg crushed glass, black steel panels and black faceplate



G800EC/G800C - Birch log set with brown brick panels and antique copper faceplate



G800EH - Driftwood log set and volcanic black brick panels and brushed nickel faceplate

STANDARD FEATURES

- Clean front design
- Largest viewing area in its class
- Top down and ember-bed lighting (G800EC/G800EH)
- Integrated safety screen
- Ceramic glass
- Standing Pilot (Direct Spark Ignition - G800C)
- Flame height adjustment control
- Proflame II GTMF remote control (G800EC, G800EH only)
- Electronic ignition (G800EC, G800EH only)
- Rear or top vent for versatile installations (G800EC, G800C only)
- Natural gas
- Limited lifetime warranty

OPTIONS

- Choose from a log grate and traditional style log package or contemporary crystal tray
- Cool Wall system
- Brick panels in a variety of colors and designs
- Inner reflective panels in black enamel
- Inner painted black steel panels
- Surrounds in various colors
- Finishing trims for easy finishing around the fireplace
- Variable speed blower
- Chase vent (cool wall installations)
- Propane conversion kit
- ON/OFF remote control (G800C)
- AstroCap® venting system
- Heat Wave™ power duct kit

REGENCY GRANDVIEW™ - G600EC • G600C

Small Gas Fireplaces



G600EC shown with birch log set and reflective enamel inner panels.



G600EC/G600C - Oak log set and rustic brown brick panels



G600EC/G600C - Oak log set and castlestone brick panels



G600EC/G600C - Birch log set, herringbone brick panels and black faceplate

SMALL FIREPLACE, BIG FLAME

Experience the stunning flame pictures, full customization, and design flexibility of the Grandview series, but now smaller!

The G600 offers all the benefits of our Grandview series but in a more compact frame – suitable for smaller spaces or zone heating.

SPECIFICATIONS	G600EC		G600C	
	NATURAL GAS	PROPANE	NATURAL GAS	PROPANE
Input (BTU)	21,000	20,500	21,000	20,500
Turn down to (BTU)	11,500	16,500	11,500	11,000
Efficiency (steady state)	71.17%	72.80%	71.18%	72.71%
EnerGuide Rating (Canada only)	64.80%	67.22%	64.79%	66.76%

DIMENSIONS	
Viewing Area	600 sq. in.
Width	31-7/8"
Height	29-7/8"
Depth	14-5/8"

For detailed specifications please see page 24.



G600C shown with coal black crushed glass and painted black steel panels installed with a clean front finish using the cool wall system and chase vent.



G600EC/G600C - Ginger crushed glass and antique copper faceplate



G600EC/G600C - Iceberg crushed glass, volcanic stones and brushed nickel faceplate



G600EC/G600C - Driftwood log set and black steel panels

STANDARD FEATURES

- Clean front design
- Top down and ember-bed lighting (G600EC)
- Integrated safety screen
- Ceramic glass
- Flame height adjustment control
- Standing Pilot (Direct Spark Ignition - G600C)
- Proflame II GTMF remote control (G600EC)
- Electronic ignition (G600EC)
- Rear or top vent for versatile installations
- Natural gas
- Limited lifetime warranty

OPTIONS

- Choose from a log grate and traditional style log package or contemporary crystal tray
- Cool Wall system to allow for any finishing material right to the edge of the fireplace
- Brick panels in a variety of colors and designs
- Inner reflective panels in black enamel
- Inner painted black steel panels
- Surrounds in various colors
- Finishing trims for easy finishing around the fireplace
- Variable speed blower
- Chase vent (cool wall installations)
- Propane conversion kit
- ON/OFF remote control (G600C)
- AstroCap® venting system

REGENCY BELLAVISTA® - B36XTCE • B36XTE

Medium Gas Fireplaces



B36XTCE shown with rustic brown brick panels and integrated safety screen.

BOLD STYLE

Bellavista means beautiful view in Italian. This is a perfect description of the fire view offered by the most popular sized fireplaces in the Regency line up. The B36XTCE and B36XTE models feature a bold flame and log package behind a 652 sq.in. viewing area that provides up to 31,000 BTUs of comforting heat. Quality workmanship is evident in Bellavista's finishes, custom accessories, and safety tested ceramic glass.

SPECIFICATIONS	B36XTCE		B36XTE	
	NATURAL GAS	PROPANE	NATURAL GAS	PROPANE
Input (BTU)	31,000	31,000	31,000	31,000
Turn down to (BTU)	21,500	25,000	21,500	25,000
Efficiency (steady state)	70.56%	71.08%	70.56%	71.08%
EnerGuide Rating (Canada only)	65.90%	65.90%	65.90%	65.90%

DIMENSIONS	B36XTCE	B36XTE
Viewing Area	652 sq. in.	652 sq. in.
Width	40-5/8"	36"
Height	38-1/16"	35-1/4"
Depth	23-5/8"	20-7/16"

For detailed specifications please see page 28.



B36XTE shown with Vignette faceplate in platinum and integrated safety screen.

STANDARD FEATURES

- Natural gas
- Safety screen
- Ceramic glass
- Log set with embers
- Fire grate
- Flame height adjustment control
- Proflame I GTMF remote control
- Electronic ignition with SureFire™ switch
- Top or rear vent for versatile installations
- Limited lifetime warranty

OPTIONS

- Brick panels in a variety of colors and designs
- Inner reflective panels in black enamel
- Vignette surrounds in various colors (B36XTE only)
- Vignette door inlays (B36XTE only)
- Vignette finishing trim (B36XTE only)
- Ember upgrade kit
- Wall thermostat
- Variable speed blower
- Vertical or horizontal vent terminations
- AstroCap® venting system
- Propane conversion kit

REGENCY BELLAVISTA® - B41XTCE • B41XTE

Large Gas Fireplaces



B41XTCE shown with old town red brick panels and integrated safety screen.

EXPANSIVE VIEWING AREA

With its impressive viewing area and artistic fire presentation, the Bellavista® creates beautiful gathering spaces. The B41XTCE offers a flush face design for a frameless display, while the B41XTE offers a range of trim finishes to suit any style and environment. Platinum embers and finely detailed logs, molded by artists from real wood, create a genuinely authentic fire experience. With 42,500 BTUs of controllable heat, the Bellavista is an efficient direct vent fireplace perfect for medium to large living spaces.

SPECIFICATIONS	B41XTCE		B41XTE	
	NATURAL GAS	PROPANE	NATURAL GAS	PROPANE
Input (BTU)	31,000	31,000	42,500	37,500
Turn down to (BTU)	21,500	25,000	30,000	29,500
Efficiency (steady state)	70.56%	71.08%	72.76%	72.63%
EnerGuide Rating (Canada only)	65.90%	65.90%	68.15%	68.35%

DIMENSIONS	B41XTCE	B41XTE
Viewing Area	652 sq. in.	840 sq. in.
Width	40-5/8"	41-11/16"
Height	38-1/16"	36-11/16"
Depth	23-5/8"	22-5/16"

For detailed specifications please see page 28.



B41XTE shown with Vignette faceplate in Tuscan Sunset, rustic brown brick panels and integrated safety screen.

STANDARD FEATURES

- Natural gas or propane
- Safety screen
- Ceramic glass
- Log set with embers
- Fire grate
- Flame height adjustment control
- Proflame I GTMF remote control
- Electronic ignition with SureFire™ switch
- Top or rear vent for versatile installations
- Limited lifetime warranty

OPTIONS

- Brick panels in a variety of colors and designs
- Inner reflective panels in black enamel
- Vignette surrounds in various colors (B41XTE only)
- Vignette door inlays (B41XTE only)
- Vignette finishing trim (B41XTE only)
- Ember upgrade kit
- Wall thermostat
- Variable speed blower
- Vertical or horizontal vent terminations
- AstroCap® venting system

REGENCY PANORAMA® - P36 • P36E • P36D

Medium Gas Fireplaces



P36 shown with Vignette faceplate in black, Vignette finishing trim, rustic brown brick panels and integrated safety screen.



Black Louvers



Vignette Faceplate - Tuscan Sunset



Vignette Faceplate - Platinum

VERSATILE STYLE

Our most popular fireplace is available in both slim and deep box designs to deliver a beautiful fire and efficient heat to most common family rooms, dens and bedrooms. With the versatile Panorama series, you can turn a traditional fireplace into a dynamic part of your home decor.

SPECIFICATIONS	P36		P36E		P36D	
	NATURAL GAS	PROPANE	NATURAL GAS	PROPANE	NATURAL GAS	PROPANE
Input (BTU)	30,000	30,000	29,500	28,500	30,000	30,000
Turn down to (BTU)	15,500	15,500	19,500	22,000	15,500	15,500
Efficiency (steady state)	70.55%	70.55%	72.88%	74.40%	71.26%	71.26%
EnerGuide Rating (Canada only)	n/a	n/a	66.86%	67.44%	n/a	n/a

DIMENSIONS	
Viewing Area	451 sq. in.
Width	36"
Height	30-1/2"
Depth	P36/P36E - 12-3/4" P36D - 17-1/8"

For detailed specifications please see page 27.



P36 shown with Vignette faceplate in black, Vignette finishing trim, rustic brown brick panels and integrated safety screen.



Vignette Faceplate - Black
Vignette Door Inlay - Black



Vignette Faceplate - Black
Vignette Door Inlay - Black Chrome



Vignette Faceplate - Black
Vignette Door Inlay - Tuscan Sunset

STANDARD FEATURES

- Natural gas
- Safety screen
- Ceramic glass
- Log set with embers
- Fire grate
- Flame height adjustment control
- Proflame GTMF remote control
- Electronic ignition (P36E)
- Standing Pilot (Direct spark ignition - P36/P36D, available in USA only)
- Limited lifetime warranty

OPTIONS

- Vignette surrounds in various colors
- Vignette door inlays
- Vignette finishing trim
- Brick panels in a variety of colors and designs
- Inner reflective panels in black enamel
- Ember upgrade kit
- Black louvers & mesh guard
- Variable speed blower
- Wall thermostat
- Propane conversion kit
- Vertical or horizontal vent terminations
- Heat Wave™ power duct kit
- AstroCap® venting system
- 3-sided finishing trim (when using black louvers)

REGENCY PANORAMA® - P33 • P33E • P33CE

Small Gas Fireplaces



P33 shown with Vignette faceplate in black, Vignette finishing trim, Vignette door inlay in black, rustic brown brick panels and integrated safety screen.



P33/P33E Black Louvers



P33/P33E Vignette Faceplate - Tuscan Sunset



P33/P33E Vignette Faceplate - Platinum

COMPACT DESIGN

True flush finishing provides an unobstructed view of the fire in Regency's Panorama™ P33 gas fireplaces. As a focal point in small to medium-sized spaces, the P33 series embodies the complete fireplace experience with an artist sculpted ceramic log set and glowing embers.

SPECIFICATIONS	P33		P33E		P33CE	
	NATURAL GAS	PROPANE	NATURAL GAS	PROPANE	NATURAL GAS	PROPANE
Input (BTU)	20,000	19,500	20,000	19,500	20,000	19,500
Turn down to (BTU)	14,000	15,500	14,000	15,500	14,000	15,500
Efficiency (steady state)	72.57%	74.06%	68.28%	73.82%	68.28%	73.82%
EnerGuide Rating (Canada only)	n/a	n/a	66.49%	69.44%	66.49%	69.44%

DIMENSIONS	
Viewing Area	416 sq.in.
Width	33"
Height	P33/P33E - 29" P33CE - 29-1/4"
Depth	P33/P33E - 12-3/4" P33CE - 16"

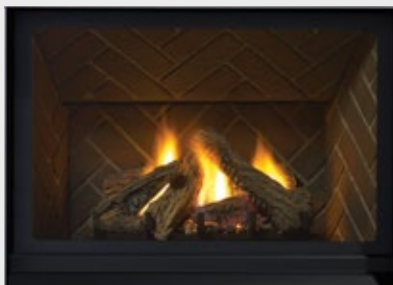
For detailed specifications please see page 27.



P33CE shown with oak log set.



P33 - Vignette Faceplate - Black
Vignette Door Inlay - Black



P33CE - Oak log set and herringbone
brick panels



P33CE - Birch log set and Inner black enamel
reflective panels

STANDARD FEATURES

- Natural gas
- Safety screen
- Ceramic glass
- Log set with embers
- Fire grate
- Flame height adjustment control
- Proflame I GTMF remote control
- Direct spark ignition (P33, available in USA only)
- Electronic ignition (P33E/P33CE)
- 45° flue for versatile installations
- Limited lifetime warranty

OPTIONS

- Vignette surrounds in various colors (P33/P33E)
- Vignette door inlays (P33/P33E)
- Vignette finishing trim (P33/P33E)
- Black louvers (P33/P33E)
- Brick panels in various colors and designs
- Inner reflective panels in black enamel
- Ember upgrade kit
- Wall thermostat
- Variable speed blower
- Vertical or horizontal vent terminations
- Propane conversion kit
- Heat Wave™ power duct kit
- AstroCap® venting system
- 3-sided finishing trim (when using black louvers - (P33/P33E))

REGENCY EXCALIBUR® P90E

Medium Gas Fireplace



P90E shown with herringbone brick panels and double door inlay with integrated safety screen.

TIMELESS ARCH DESIGN

The gentle arched design of this product provides the perfect backdrop for Regency's beautiful flames. Glowing embers and realistic split logs molded by an artist from real wood create the experience of an authentic-looking wood burning fire.

STANDARD FEATURES

- Natural gas
- Ceramic glass
- Log set with embers
- Fire grate
- Black brick panel floor
- Variable speed blower
- Proflame II GTMF remote control
- Electronic Ignition
- Flame height adjustment control
- Limited lifetime warranty

OPTIONS

- Arch surround in black with integrated safety screen
- Brick panels in various colors and designs
- Double door inlay
- Wall thermostat
- Propane conversion kit
- Heat Wave™ power duct kit
- AstroCap® venting system
- Steel stud framing kit

SPECIFICATIONS	NATURAL GAS	PROPANE
Input (BTU)	35,000	31,500
Turn down to (BTU)	23,500	25,500
Efficiency (steady state)	76.07%	76.07%
EnerGuide Rating (Canada only)	71.36%	72.79%

DIMENSIONS	
Viewing Area	455 sq. in.
Width	37"
Height	29-1/4"
Depth	19-1/4"

For detailed specifications please see page 27.

FIREPLACE OPTIONS

MAXIMIZING COMFORT AND EFFICIENCY

Regency fireplaces deliver controllable heating solutions by combining the latest in radiant/convection heat technology and innovative features:

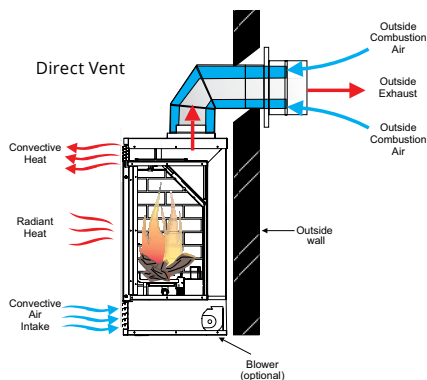
- Adjustable flame/heat control.
- Heat radiating ceramic glass.
- **Intelligent Ignition System** features fuel-saving intermittent pilot ignition (IPI), 7-day continuous pilot mode (CPI), and 5 second **Flame Failure Response Time (FFRT)** for more reliable startups - even in cold weather (Electronic Ignition Models Only).
- Power's Out, Heat's On. All Regency gas fireplaces operate without electricity. Enjoy peace of mind all winter long.
- Variable speed blower to maximize efficiency. Our **quiet blowers** increase the efficiency of your fireplace by pushing the heat produced by your fireplace forward and distributing it throughout the room.
- **Proflame GTMF Remote Controls**. A standard feature included with most traditional gas fireplaces, this user friendly programmable remote can be set to start your Regency fire at your desired room temperature and be easily adjusted with the touch of a button.

COOL WALL SYSTEM

Our patented Cool Wall System utilizes natural convection and innovative design to maintain cool wall surface temperatures without any loss in efficiency or need for fans or additional ducting. The fireplace draws in cooler air from floor level, heating and then distributing the air both in front of the fireplace and at ceiling level, enabling total flexibility in finishing materials and placement of televisions and artwork.

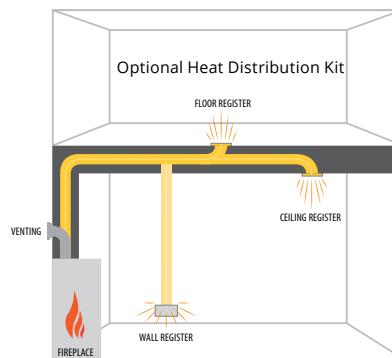


NO CHIMNEY? NO PROBLEM!



DIRECT VENT TECHNOLOGY allows you to add a fireplace to rooms with no existing chimney. Simply vent your fireplace through an outside wall and finish it with the patented **Regency AstroCap Flex Venting System**. Direct Vent fireplaces are airtight systems that use outside air for combustion, helping maintain indoor air quality and keeping all the warmth generated from your fireplace inside your home. Even when the fireplace is turned off, the sealed system will prevent cold air from entering the home and warm air from leaving. Direct Vent fireplaces allow versatility in **installation and increase fireplace efficiency**.

SPREAD THE WARMTH



ZONE HEATING WITH REGENCY: Add a fireplace to your most frequently used living space and save energy by only heating rooms you use.

HEAT ADJACENT ROOMS WITH THE HEAT WAVE™ - POWER DUCT SYSTEM: Cut down on your heating costs using a Heat Wave kit. The Heat Wave system attaches onto most Regency gas fireplaces allowing you to direct heat into rooms up to 20 feet away. This kit comes complete with vent, variable speed blower (for Heat Wave system only) and vent register.

DESIGN OPTIONS

UNIT SIZE COMPARISON



P33CE



P33/P33E



P36/P36E/P36D



G600EC/G600C



G800EC/G800C



G800EH



B36XTCE



B36XTE



B41XTCE



B41XTE

DESIGN OPTIONS

INNER PANEL OPTIONS (NOT AVAILABLE ON ALL MODELS)



Herringbone - Rustic Brown



Standard - Rustic Brown



Standard - Old Town Red



Standard - Charcoal



Castlestone Brown
(Available for B36 & B41 Bellavista models)



Castlestone Grey
(Available for G600 & G800 models)



Black Enamel Panels



Ember Upgrade Package

VIGNETTE FACEPLATE OR LOUVERED OPTIONS

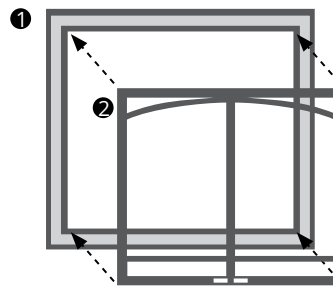
FOR UNITS: P33, P33E, P36, P36E, P36D, B36XTE, B41XTE

VIGNETTE FACEPLATES & DOOR INLAY



Shown with black Vignette Faceplate, Tuscan Sunset Door Inlay & Vignette finishing trim

- ① Vignette Faceplate
- ② Vignette Inlay



VIGNETTE FACEPLATES & INLAYS FINISHES



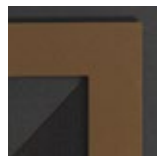
Black



Black Chrome



Platinum
(Not available for inlays)



Tuscan Sunset

LOUVERS



Black Louvers
For units: P33/P33E/P36/P36E/P36D



Flush Panels
For units: B36XTE/B41XTE

ACCESSORY OPTIONS

GRANDVIEW UNITS (G800EC, G800EH, G800C, G600EC, G600C)

ACCESSORIES		G800EC • G600EC ELECTRONIC IGNITION	G800EH ELECTRONIC IGNITION	G800C • G600C STANDING PILOT
Safety Screen		✓	✓	✓
Ceramic Glass		✓	✓	✓
Proflame II Remote Control		✓	•	•
On/Off Remote		•	•	★
Accent & Ember-bed Lights		✓	✓	•
Inner Panels	Black	★	★	★
	Standard - Volcanic Black	★	★	★
	Standard - Rustic Brown	★	★	★
	Castlestone	★	★	★
	Herringbone	★	★	★
	Black Enamel	★	★	★
Faceplates	Black	★	★	★
	Brushed Nickel	★	★	★
	Antique Copper	★	★	★
Finishing Trims	Clean Front	★	★	★
	Outside Finish	★	★	★
Media	Driftwood Logs	★	★	★
	Birch Logs	★	★	★
	Oak Logs	★	★	★
	Crushed Glass (Various Colors)	★	★	★
Blower (with Fan Speed Control)		★	★	★
Propane Conversion Kit		★	★	★

- Not available
- ✓ Standard
- ★ Optional

REMOTES & THERMOSTATS



Proflame I GTMF Remote Control



Proflame II GTMF Remote Control



Programmable Thermostat

FEATURE	DESCRIPTION	PROFLAME GTMF	PROGRAMMABLE THERMOSTAT
On/Off		✓	✓
Child lock		✓	•
LCD Backlit Screen		✓	✓
Clock		•	✓
Temperature display	°F / °C	✓	✓
Thermostat	one setting (all days)	✓	✓
	5-day weekday & 2-day weekend	•	✓
Smart thermostat*		✓	•
Flame adjustment	(6 levels)	✓	•
Fan control**	(6 levels)	✓	•
Accent light (On/Off)***		✓	•

* Smart Thermostat - Rather than a thermostat that simply turns your fireplace on and off, the Smart Control function allows you to set your desired room temperature. As the room reaches your personal setting the flame intensity and heat will gradually decrease - keeping the ambience of your Regency fire on with less heat output with the option to turn off at any time.

** For models that have a blower.

*** For models that have an optional accent light.

ACCESSORY OPTIONS

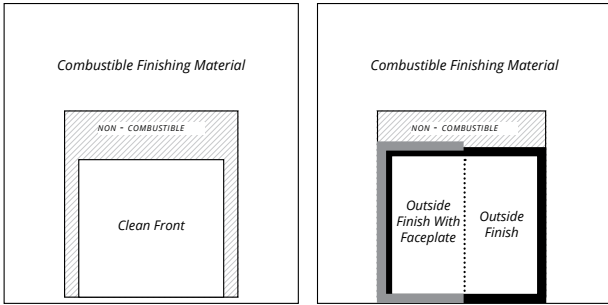
ACCESSORIES - AT A GLANCE		B41XTCE	B41XTE	B36XTCE	B36XTE	P90E	P36/ P36D	P36E	P33CE	P33E	P33	
Clean front	Glass	✓	•	✓	•	•	•	•	✓	•	•	
Faceplates	Vignette	Black	•	★	•	★	•	★	★	•	★	★
		Black Chrome	•	★	•	★	•	★	★	•	★	★
		Platinum	•	★	•	★	•	★	★	•	★	★
		Tuscan Sunset	•	★	•	★	•	★	★	•	★	★
	Vignette Door Inlay	Black	•	★	•	★	•	★	★	•	★	★
		Black Chrome	•	★	•	★	•	★	★	•	★	★
		Tuscan Sunset	•	★	•	★	•	★	★	•	★	★
Vignette Finishing trim		•	★	•	★	•	★	★	•	★	★	
Surrounds	Metal <i>*While Quantities Last</i>	Stainless Steel	•	•	•	•	•	•	•	★	•	•
		Sunset Bronze	•	•	•	•	•	•	•	★	•	•
	Glass <i>*While Quantities Last</i>	Pure Black	•	•	•	•	•	•	•	★	•	•
		Chocolate	•	•	•	•	•	•	•	★	•	•
Excalibur Arch Surrounds	Surround	•	•	•	•	★	•	•	•	•	•	
	Door Inlay	•	•	•	•	★	•	•	•	•	•	
Classic look	Louvers	•	•	•	•	•	★	★	•	★	★	
	Flush panels	•	★	•	★	•	•	•	•	•	•	
	Finishing Trim	•	★	•	★	•	★	★	•	★	★	
Inner panels	Bricks	Standard - Rustic Brown	★	★	★	★	★	★	★	★	★	★
		Standard - Old Town Red	★	★	★	★	★	★	★	★	★	★
		Standard - Charcoal	★	★	•	★	•	•	•	•	•	•
		Herringbone - Rustic Brown	•	•	•	•	★	★	★	★	★	★
	Castlestone	★	★	★	★	•	•	•	•	•	•	
Reflective	Black enamel	★	★	★	★	•	★	★	★	★	★	
Safety Screen (included with unit or faceplate)		✓	✓	✓	✓	✓	✓	✓	✓	✓	✓	
Ember upgrade package		★	★	★	★	★	★	★	★	★	★	
Blower (with fan speed controller)		★	★	★	★	✓	★	★	★	★	★	
Controls	Programmable Thermostat	★	★	★	★	★	★	★	★	★	★	
	Proflame GTMF Remote Control	✓	✓	✓	✓	✓	✓	✓	✓	✓	✓	
Venting	Direct vent	✓	✓	✓	✓	✓	✓	✓	✓	✓	✓	
	AstroCap® Venting System	★	★	★	★	★	★	★	★	★	★	
	Heat Wave™ Power Duct System	•	•	•	•	★	★	★	★	★	★	
Propane conversion kit		•	•	★	★	★	★	★	★	★	★	

- Not available
- ✓ Standard
- ★ Optional

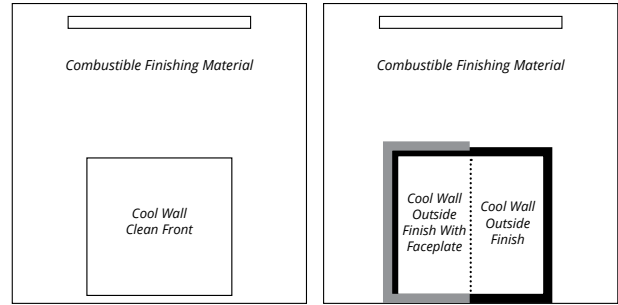
SPECIFICATIONS

INSTALLATION OPTIONS - G800EH, G800EC, G800C

Non-Combustible Finishing Install

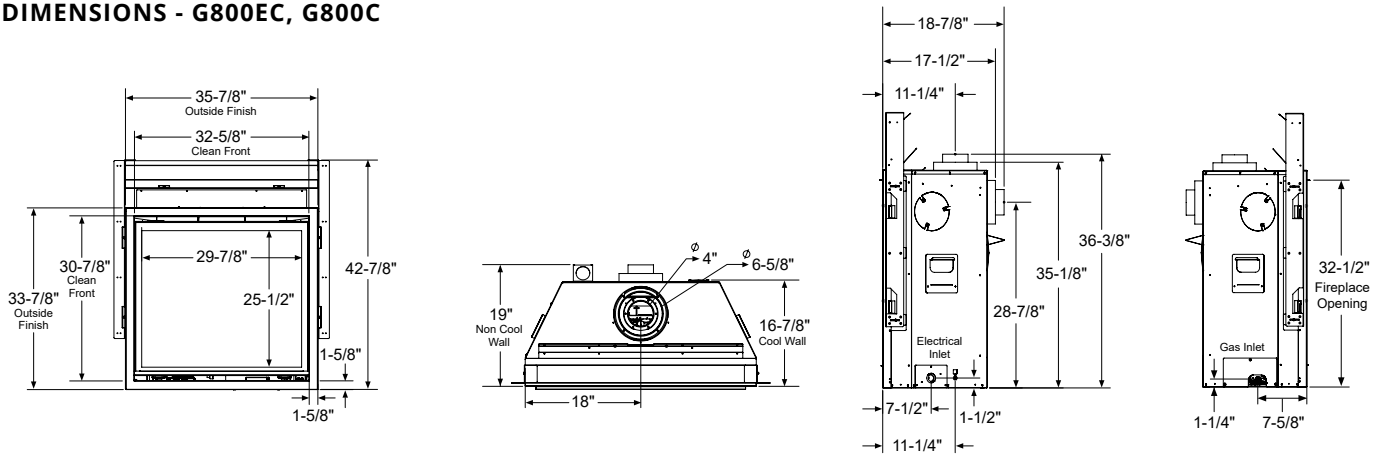


Combustible Finishing Install with Cool Wall

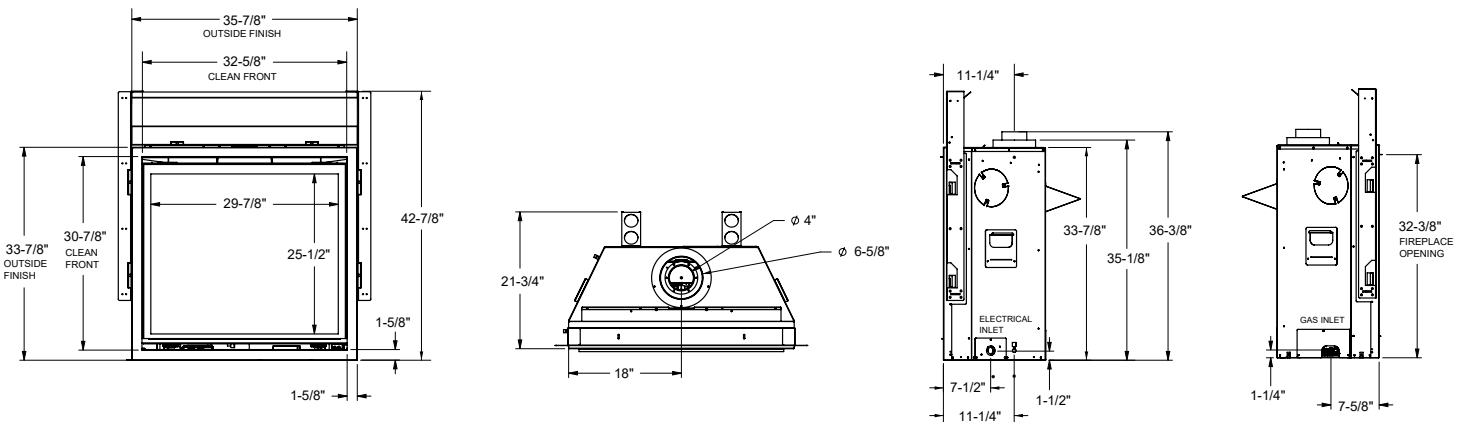


OPTIONS	G800EC	G800C	G800EH
Cool Wall Option	Optional	Optional	Optional
Min. Cool Wall Opening	66 sq. in.	66 sq. in.	107 sq. in.
Min. Enclosure Ceiling	80" Cool Wall or 62" non-Cool Wall	80" Cool Wall or 62" non-Cool Wall	84" Cool Wall or non-Cool Wall

DIMENSIONS - G800EC, G800C



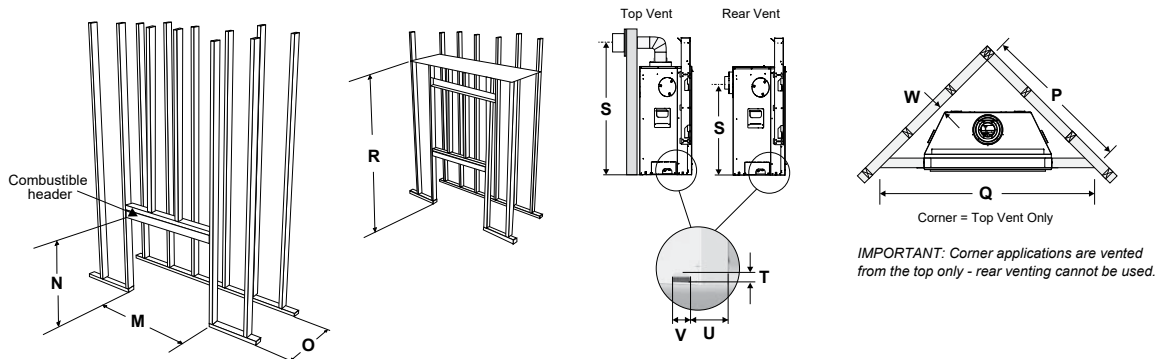
DIMENSIONS - G800EH



For installation, framing and clearances see manuals on our website: www.regency-fire.com

NOTE: All product specifications are subject to change without notice. Before installing refer to the relevant product manual for full and up-to-date information.

SPECIFICATIONS



FRAMING - G800EC, G800C

FRAMING	COOL WALL	CLEAN FRONT	OUTSIDE FINISH
M Framing Width	36-1/2"	37-1/2"	36-1/2"
N* Framing Height	43"	43"	43"
O Framing Depth	16-7/8"	19-1/4"***	19-1/4"***
P Corner Facing Wall Width	42-1/2"	61-1/4"***	46-1/2"***
Q Corner Facing Wall Width	60"	86-5/8"	65-3/4"
R Framed Chase Ceiling Enclosure	80"	62"	62"
S Vent Centerline Height - Rear	29"	29"	29"
S Vent Centerline Height - Top	44"	44"	44"
T Gas Connection Height	1-1/2"	1-1/2"	1-1/2"
U Gas Connection Inset	6-3/8"	6-3/8"	6-3/8"
V Gas Connection Width	3"	3"	3"
W Clearance to Corner of Unit	2-3/4"	2-3/4"	2-3/4"
Non-combustible Material Required Above Appliance	--	11-1/2"	10"

* Important: Framing height requires consideration of the hearth depth. Dimension N = N + the thickness of the installed hearth.

** Top Vent Only

FRAMING - G800EH

FRAMING	COOL WALL	CLEAN FRONT	OUTSIDE FINISH
M Framing Width	36-1/2"	37-1/2"	36-1/2"
N* Framing Height	43"	52"	52"
O Framing Depth	22"	22"	22"
P Corner Facing Wall Width	42-1/2"	46-1/2"	46-1/2"
Q Corner Facing Wall Width	60"	65-3/4"	65-3/4"
R Framed Chase Ceiling Enclosure	82"	84"	84"
S Vent Centerline Height - Top	44"	44"	44"
T Gas Connection Height	1-1/2"	1-1/2"	1-1/2"
U Gas Connection Inset	6-3/8"	6-3/8"	6-3/8"
V Gas Connection Width	3"	3"	3"
W Clearance to Corner of Unit	2-3/4"	2-3/4"	2-3/4"
Non-combustible Material Required Above Appliance	--	11-1/2"	10"

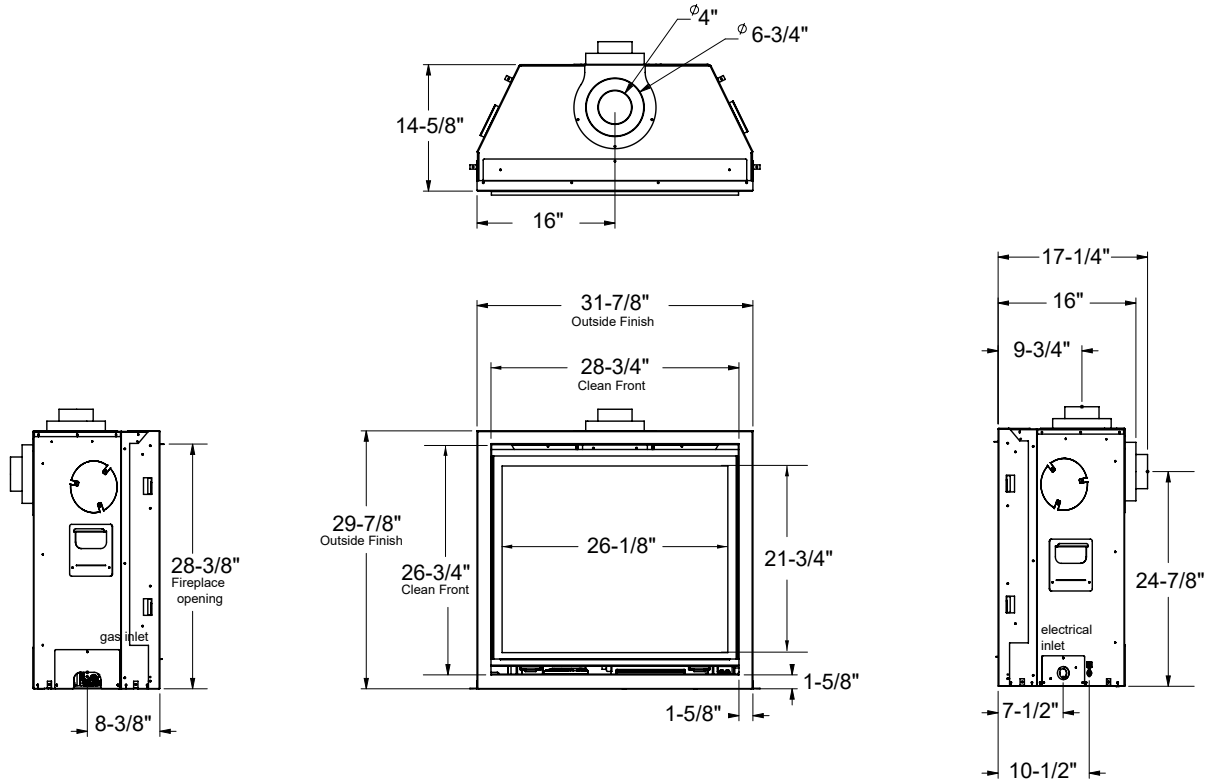
* Important: Framing height requires consideration of the hearth depth. Dimension N = N + the thickness of the installed hearth.

For installation, framing and clearances see manuals on our website: www.regency-fire.com

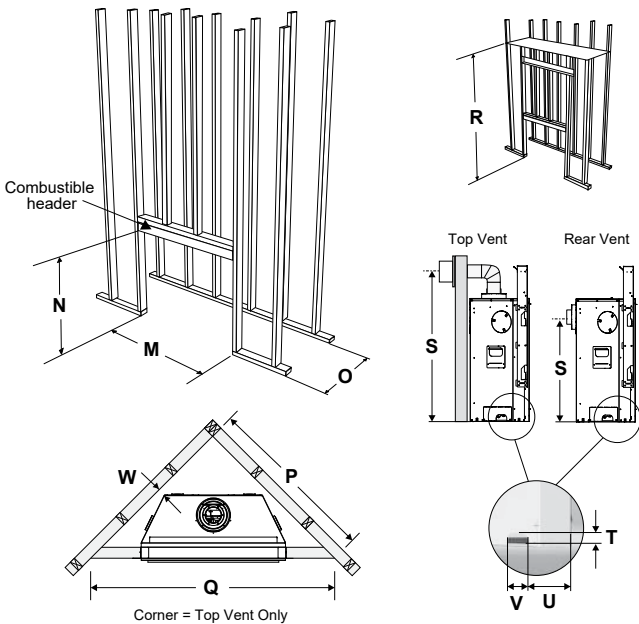
NOTE: All product specifications are subject to change without notice. Before installing refer to the relevant product manual for full and up-to-date information.

SPECIFICATIONS

DIMENSIONS - G600EC, G600C



FRAMING - G600EC, G600C



FRAMING		COOL WALL	CLEAN FRONT	OUTSIDE FINISH
M	Framing Width	33"	33-1/2"	33-1/2"
N*	Framing Height	40"	40"	40"
O	Framing Depth	15"	16-3/4"	16-3/4"
P	Corner Facing Wall Width	37-1/4"	40"***	40"***
Q	Corner Facing Wall Width	52-1/2"	57"***	57"***
R	Framed Chase Ceiling Enclosure - Rear	74-1/2"	43-1/2"	43-1/2"
R	Framed Chase Ceiling Enclosure - Top	74-1/2"	60"	60"
S	Vent Centerline Height - Rear	24-7/8"	24-7/8"	24-7/8"
S	Vent Centerline Height - Top	40"	40"	40"
T	Gas Connection Height	1-7/8"	1-7/8"	1-7/8"
U	Gas Connection Inset	8-3/8"	8-3/8"	8-3/8"
V	Gas Connection Width	3-1/2"	3-1/2"	3-1/2"
W	Clearance to Corner of Unit	1/2"	2"	2"
	Non-combustible Material Required Above Appliance	no	yes	yes

* Important: Framing height requires consideration of the hearth depth. Dimension N = N + the thickness of the installed hearth.

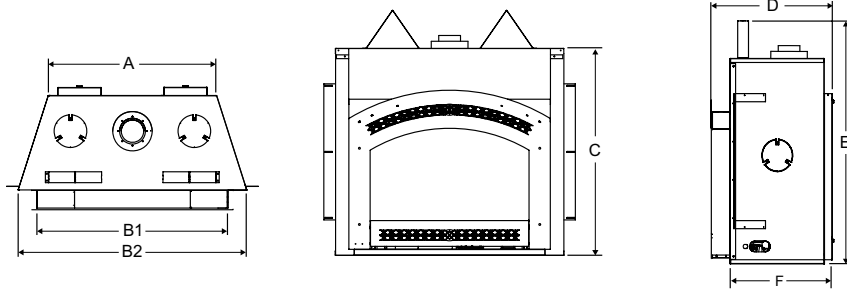
** Top Vent Only

For installation, framing and clearances see manuals on our website: www.regency-fire.com

NOTE: All product specifications are subject to change without notice. Before installing refer to the relevant product manual for full and up-to-date information.

SPECIFICATIONS

EXCALIBUR P90E

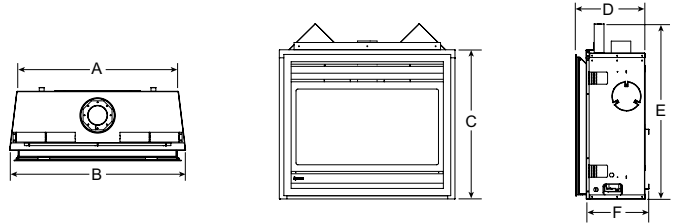


P90E	
A	31"
B1	35-1/8"
B2	42"
C	38"
D*	22-1/2"
E	45"
F	19-1/8"

* Without faceplate

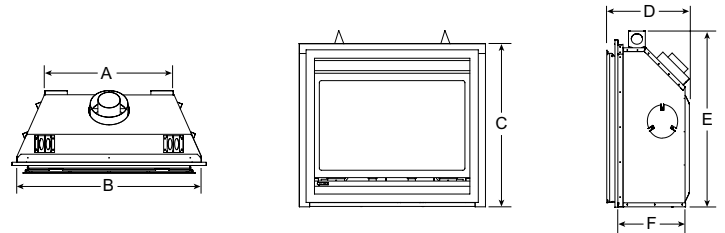
PANORAMA DIRECT VENT FIREPLACES

**P36D
P36E
P36**



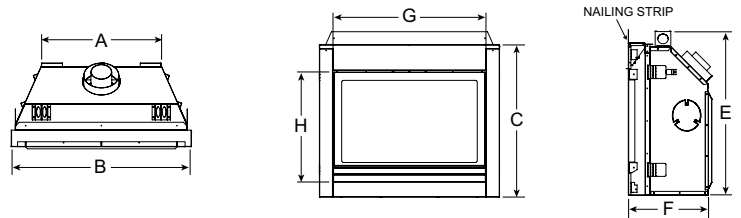
	P36D	P36E/ P36	P33E/ P33	P33CE
A	33-1/16"	33-1/8"	23"	23"
B	36-1/16"	36-1/16"	33"	34-9/16"
C	30-1/2"	14-3/4"	14-1/2"	29-1/4"
D*	19-1/8"	15"	14-3/4"	--
E	36"	36"	31-1/2"	31-3/4"
F	17-1/8"	12-3/4"	12-3/4"	16"
G	--	--	--	29-7/16"
H	--	--	--	21-3/8"

**P33
P33E**



* Includes Vignette faceplate
See manual for Vignette finishing trim dimensions

P33CE



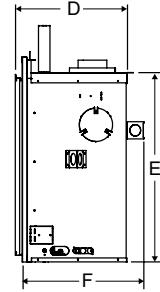
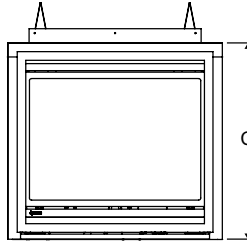
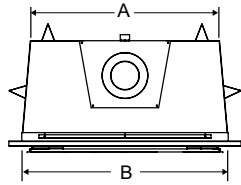
For installation, framing and clearances see manuals on our website: www.regency-fire.com

NOTE: All product specifications are subject to change without notice. Before installing refer to the relevant product manual for full and up-to-date information.

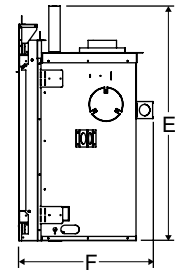
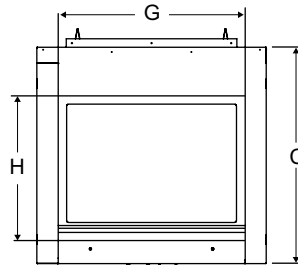
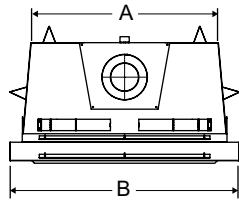
SPECIFICATIONS

BELLAVISTA DIRECT VENT FIREPLACES

**B41XTE
B36XTE**



**B41XTCE
B36XTCE**



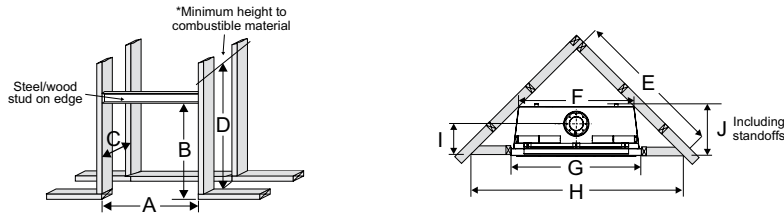
	B41XTCE	B41XTE	B36XTCE	B36XTE
A	38-3/8"	38-3/8"	33-1/16"	33-1/16"
B	46-11/16"	41-11/16"	40-5/8"	36"
C	44-1/4"	36-11/16"	38-1/16"	34-5/8"
D*	--	24-9/16"	--	22-5/16"
E	49-1/2"	36-3/8"	41-5/16"	33-1/8"
F	26-3/16"	22-3/8"	23-5/8"	20-7/16"
G	38-7/16"	--	32-7/8"	--
H	29-1/8"	--	25-5/8"	--

* Includes Vignette Faceplate

For installation, framing and clearances see manuals on our website: www.regency-fire.com

NOTE: All product specifications are subject to change without notice. Before installing refer to the relevant product manual for full and up-to-date information.

SPECIFICATIONS



P36/P36E/P36D

INSTALLATION	UNITS	A	B	C	D*	E	F	G	H	I	J
Framing with Vignette Faceplate Stepped Finish	P36/P36E	36-1/4"	40-3/4"	12-3/4"	46"	42-7/16"	33-1/4"	36-1/4"	60"	7-1/4"	12-3/4"
	P36D	36-1/4"	40-3/4"	17-3/8"	46"	48"	33-1/4"	36-1/4"	68"	11-1/4"	17-1/8"
Framing with Vignette Faceplate & Finishing Trim Finished Flush	P36/P36E	38"	41-5/8"	14-3/4"	46"	43-11/16"	33-1/4"	38"	61-13/16"	9-1/4"	14-3/4"
	P36D	38"	41-5/8"	19-3/8"	46"	50-9/16"	33-1/4"	38"	71-9/16"	13-1/4"	-
Framing with Louvers and safety screen	P36/P36E	36-1/4"	36-1/4"	12-3/4"	46"	42-7/16"	33-1/4"	36-1/4"	60"	7-1/4"	12-3/4"
	P36D	36-1/4"	37-1/4"	17-3/8"	46"	48"	33-1/4"	36-1/4"	68"	11-1/4"	17-1/8"

* 'D' is minimum height to combustible materials including the minimum 2" top clearance to the horizontal vent.

P90E

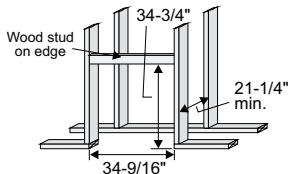
INSTALLATION	UNIT	A	B	C	D	E	F	G	H	I	J
Framing and Finishing	P90E	46-1/2"	45-1/4" 46-3/8"*	21-1/2"	53-3/4"	51-1/8"	31"	46-1/2"	72-1/4"	13-11/16"	19-1/4"

* If raised 1-1/8" using base standoffs.

P33/P33E

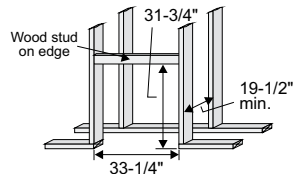
VERTICAL TERMINATION OR VERTICAL RISE WITH HORIZONTAL TERMINATION
Vignette and Vignette Finishing Trim - Finished Flush

For Both Rigid & Flex



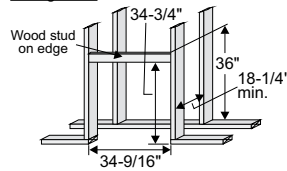
VERTICAL TERMINATION OR VERTICAL RISE WITH HORIZONTAL TERMINATION
Vignette and Vignette Finishing Trim Stepped Finish or Safety Screen and Louvers

For Both Rigid & Flex

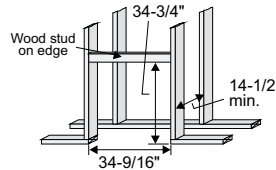


REAR TERMINATION
Vignette and Vignette Finishing Trim - Finished Flush

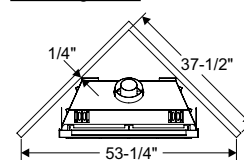
For Rigid Vent



For Flex Vent

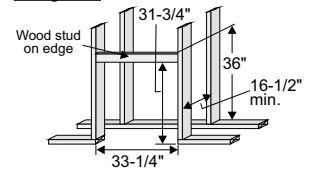


For Both Rigid & Flex

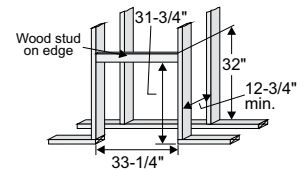


REAR TERMINATION
Vignette and Vignette Finishing Trim Stepped Finish or Safety Screen and Louvers

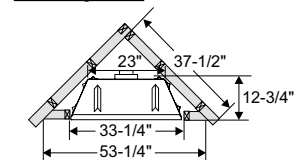
For Rigid Vent



For Flex Vent



For Both Rigid & Flex

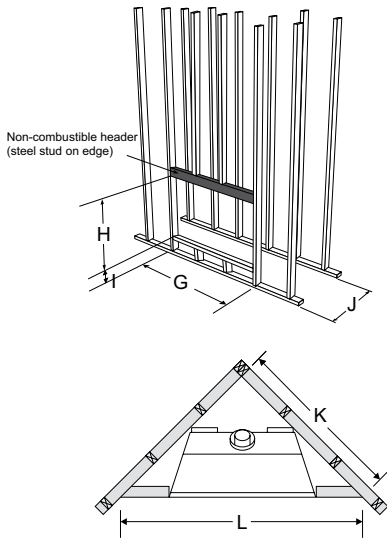


For installation, framing and clearances see manuals on our website: www.regency-fire.com

NOTE: All product specifications are subject to change without notice. Before installing refer to the relevant product manual for full and up-to-date information.

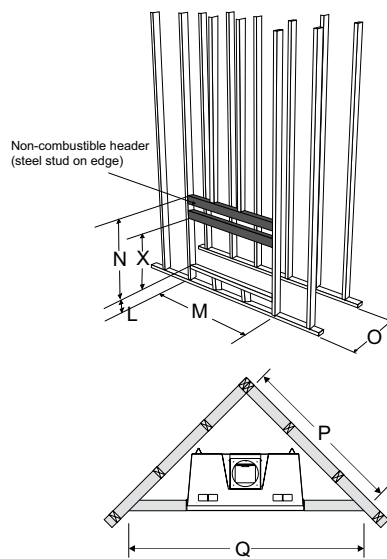
SPECIFICATIONS

P33CE



FRAMING	P33CE WITH NON-COMBUSTIBLE BOARD ONLY	P33CE WITH TILE, STONE, BRICK, SLATE, VERONA SURROUND OR OTHER NON-COMBUSTIBLE FINISH
G	35"	35"
H	31-3/4"	31-3/4"
I	0" (when not using a surround)	0" 3-5/16" min (w/ verona surround)
J	23-1/4" Vertical Rise 20-1/4" Rigid 16-1/2" Flex	22-3/4" Vertical Rise 19-3/4" Rigid 16" Flex
K	39-1/4"	38-15/16"
L	55-1/2"	54-1/2"

B36XTCE



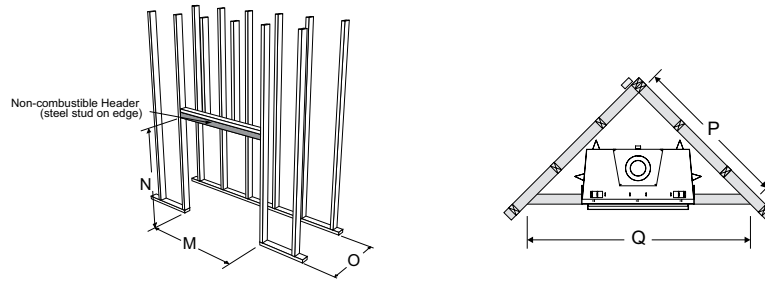
FRAMING	B36XTCE
L	0"
M	41-1/4"
N	46-3/4"
O (Rear Vent)	23-7/8"
O (Top Vent)	23-7/8"
P (Rear Vent)	57-7/8" AstroCapXL 66-1/8" other approved caps
P (Top Vent)	53-1/4"
Q (Rear Vent)	81-1/2" AstroCapXL 93-1/2" other approved caps
Q (Top Vent)	75-1/4"
X	41" (Optional steel stud)

For installation, framing and clearances see manuals on our website: www.regency-fire.com

NOTE: All product specifications are subject to change without notice. Before installing refer to the relevant product manual for full and up-to-date information.

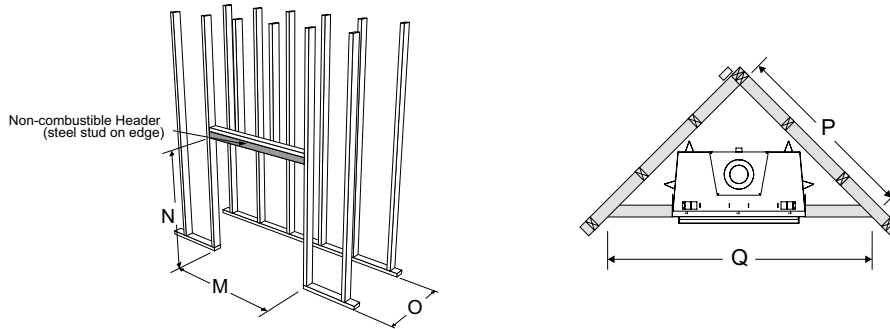
SPECIFICATIONS

B41XTCE



INSTALLATION	M	N	O (REAR VENT)	O (TOP VENT)	P	Q
Framing	47-1/4"	49-1/2"	26-1/2"	25-7/8"	65-1/4"	91-11/16"

B36XTE & B41XTE



INSTALLATION	UNITS	M	N	O (REAR VENT)	O (TOP VENT)	P (REAR VENT)	P (TOP VENT)	Q (REAR VENT)	Q (TOP VENT)
Framing with Vignette (Stepped Finish) or with flush panels and safety screen	B36XTE	40-5/8"	42"	20-3/4"	20-1/2"	53" - AstroCapXL 61-1/2" - other approved caps	48-5/8"	75" - AstroCapXL 87" - other approved caps	68-3/4"
	B41XTE	47-1/4"	49-1/2"	23-1/4"	22-5/8"	60-1/4"	-	85-3/16"	-
Framing with Vignette & Vignette Trim Finished Flush	B36XTE	42-1/4"	42"*	22-1/8"	21-7/8"	55-11/16" - AstroCapXL 64-3/16" - other approved caps	51-5/16"	78-3/4" - AstroCapXL 90-3/4" - other approved caps	72-1/2"
	B41XTE	48-15/15"	50-1/4"	24-7/8"	24-7/8"	63-3/8"	-	89-5/8"	-

* NOTE: When using the optional Vignette finishing trim, this can be installed as a 3-sided or 4-sided finish trim. If choosing to use this as a 4-sided finish trim the framing would need to be increased by 11/16" minimum in order for this to fit. This must be to the finished floor.

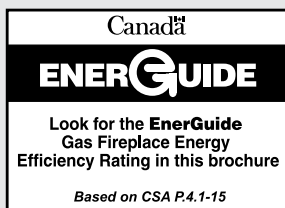
For installation, framing and clearances see manuals on our website: www.regency-fire.com

NOTE: All product specifications are subject to change without notice. Before installing refer to the relevant product manual for full and up-to-date information.



Find More Products at [REGENCY-FIRE.COM](https://www.regency-fire.com)

Your Regency Dealer



©2023 FPI Fireplace Products International Ltd. Regency®, Panorama®, Excalibur®, Bellavista®, SureFire®, Heat Wave™, Heat Release™, and AstroCap™ are registered or proprietary trademarks of FPI Fireplace Products International Ltd. All rights reserved. Printed in Canada (03/23)
Part no. 944-227