



# City Series® Zero Clearance Direct Vent Gas Fireplace

## Owners & Installation Manual



San Francisco Bay  
CB40E-NG  
Installation video  
  
<http://bit.ly/2vjpzmr>

[www.regency-fire.com](http://www.regency-fire.com)

**STYLE**  
Three sided

**MODEL**  
CB40E-NG11 / CB40E-LP11

**⚠ Warning**  
**Fire or explosion Hazard**  
failure to follow safety warnings exactly could result in serious injury, death, or property damage.

- Do not store or use gasoline or other flammable vapors and liquids in the vicinity of this or any other appliance.
- **WHAT TO DO IF YOU SMELL GAS**
  - Do not try to light any appliance.
  - Do not touch any electrical switch: do not use any phone in your building. Leave the building immediately.
  - Immediately call your gas supplier from a neighbour's phone. Follow the gas supplier's instructions.
  - If you cannot reach your gas supplier, call the fire department.
- Installation and service must be performed by a qualified installer, service agency or the gas supplier.




Certified to/Certifié pour: CSA 2.17-2017  
ANSI Z21.88-2019  
CSA 2.33-2019

**Installer:** Please complete the details on the back cover and leave this manual with the homeowner.  
**Homeowner:** Please keep these instructions for future reference.

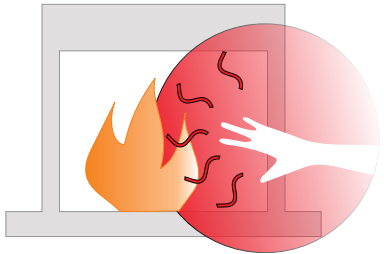
## To the New Owner:

Congratulations!

You are the owner of a state-of-the-art Gas Fireplace by REGENCY®. The City Series are hand crafted appliances and have been designed to provide you with all the warmth and charm of a wood fireplace at the flick of a switch. The CB40E-11 City Series has been approved by Intertek for both safety and efficiency. As it also bears our own mark, it promises to provide you with economy, comfort and security for many trouble free years to follow. Please take a moment now to acquaint yourself with these instructions and the many features of your Regency® Fireplace.



# DANGER



**HOT GLASS WILL  
CAUSE BURNS**

**DO NOT TOUCH GLASS  
UNTIL COOLED**

**NEVER ALLOW CHILDREN  
TO TOUCH GLASS**

A barrier designed to reduce the risk of burns from the hot viewing glass is provided with this appliance and must be installed for the protection of children and other at risk individuals.

**CAUTION:**  
HOT WHILE IN OPERATION. DO NOT TOUCH.  
SEVERE BURNS MAY RESULT. KEEP CHILDREN, CLOTHING, FURNITURE,  
GASOLINE, AND ANY OTHER LIQUIDS WITH FLAMMABLE VAPOURS AWAY.

**KEEP BURNER AND CONTROL COMPARTMENT CLEAN.  
SEE INSTALLATION AND OPERATING INSTRUCTIONS ACCOMPANYING  
APPLIANCE.**

920-408

### On Demand Pilot Light (seven day safety timer)

#### Important information if using the appliance in CPI (continuous pilot mode) only

This appliance is a ProFlame 2 system fitted with the "On Demand" Pilot, a safety feature which will shut down the gas valve completely by extinguishing the pilot light in the event of a continuous full seven days of inactivity.

This only applies if the CPI (continuous pilot) switch is in the "on" position in your remote control transmitter.

Each time the main burner shuts down, manually or through the call from the thermostat, the seven day timer starts again.

The seven day inactivity timer is controlled within the circuit board. Therefore, if in CPI mode and when the pilot light is extinguished after seven straight days of inactivity, the CPI setting on the remote control transmitter will remain in the "CPI" (continuous pilot) position. Therefore, all that is required to relight the pilot would be to press the on/off button on the remote control transmitter from "on" to "off" and back to "on". Once the pilot has re-established operation will resume as normal. There is no requirement to do anything with the IPI/CPI mode on the remote control transmitter.

If the unit never goes as long as seven full days without a call for heat, the pilot will remain lit until it is manually shut-off.

If the unit is being operated in IPI (intermittent pilot) mode, neither the above instructions nor the seven day timer will apply.

See the instructions in this manual and on the Lighting Instructions plate on the appliance to light or re-light the pilot.

## **MANUFACTURED MOBILE HOME REQUIREMENTS**

### **INFORMATION FOR MOBILE/MANUFACTURED HOMES AFTER FIRST SALE**

This Regency® product has been tested and listed by Intertek as a Direct Vent Wall Furnace to the following standards: to Vented Gas Fireplace Heaters ANSI Z21.88 • CSA 2.33 and Gas-fired Appliances for Use at High Altitudes CSA 2.17.

This Direct Vent System Appliance must be installed in accordance with the manufacturer's installation instructions and the Manufactured Home Construction and Safety Standard, Title 24 CFR, Part 3280, or the current Standard of Fire Safety Criteria for Manufactured Home Installations, Sites, and Communities ANSI/NFPA 501A, and with CAN/CSA Z240-MH Mobile Home Standard in Canada.

This appliance installation must comply with the manufacturer's installation instructions and local codes, if any. In the absence of local codes follow the current National Fuel Gas Code, ANSI Z223.1 and the current National Electrical Code ANSI/NFPA 70 in the U.S.A., and the current CSA B149.1 Gas Installation Code and the current Canadian Electrical Code CSA C22.1 in Canada.

This Regency® mobile/manufactured home listed appliance comes factory equipped with four 1/4" (6.4 mm) diameter holes located near each corner of the base. Fasten the fireplace in place using screw, inserted through the holes.

This appliance comes equipped with a dedicated #8 Ground Lug for attachment of the ground wire to the steel chassis as applicable to local codes. See the "Wiring Diagram" section.

The appliance, when installed, must be electrically grounded in accordance with local codes or, in the absence of local codes, with the National Electrical Code, ANSI/NFPA 70, or the Canadian Electrical Code, CSA C22.1.

This appliance may only be installed in an aftermarket permanently located, manufactured home (U.S.A only) or mobile home, where not prohibited by local codes.

This appliance can only be used with the type of gas indicated on the rating plate. This appliance is not convertible for use with other cases, unless a certified kit is used.

Ensure that structural members are not cut or weakened during installation.



**This appliance may be installed in an aftermarket, permanently located, manufactured home (USA only) or mobile home, where not prohibited by local codes.**

**This appliance is only for use with the type of gas indicated on the rating plate. This appliance is not convertible fore use with other gases, unless a certified kit is used.**

# table of contents

## Owner's Information

Copy of Safety Decal .....	5
Decal Location .....	5
Dimensions (3 sided).....	6
Important Message .....	9
Before You Start.....	9
General Safety Information .....	10
Lighting Procedure .....	11
Copy of the Lighting Plate Instructions.....	12
Proflame II Remote Control Operating Instructions .....	13
Proflame II Battery Holder Battery Replacement 7 Battery Pack up .....	17
Outer Safety Glass Panel (Barrier Glass) Installation/Removal .....	18
Outer Safety Glass Panel (Barrier Glass) Installation/Removal .....	19
Inner Glass Panel (Firebox Glass) Installation / Removal.....	20
Maintenance Instructions.....	22
General Vent Maintenance .....	22
Log Replacement .....	22
Glass Gasket .....	22
Glass .....	22
Glass Replacement .....	22
<b>Warranty .....</b>	<b>98</b>

## Installer's Information

Gas Installation Checklist .....	7
General Safety Information .....	24
Installation Checklist.....	24
HeatWave Duct System Optional Kit .....	24
Locating Your Gas Fireplace .....	27
Unit Assembly Prior to Installation .....	27

## Installation

Ventilation Openings.....	25
Chase Enclosure.....	25
Clearances .....	28
Optional Flush Chase Vent Installation (Part #657-991) .....	30
Optional Front Grill Installation (Part # 656-991).....	33
Optional Side Grill Installation (Part # 656-992).....	34
Opt. Side Grill Installation Into Compact or Extended Framing Kit ...	34
Mantel Clearances .....	35
Mantel Leg Clearances .....	35
Framing Dimensions .....	36
Optional Framing Kit Installation.....	37
Wall Board/Drywall Installation.....	43
Framing and Finishing Inset Installations .....	44
Extended Finish CB40E (Walls Closed Off at Either End).....	44
TV Recessed into Wall - Typical Installs .....	45
Maximum TV Recess.....	45
TV Flush with Hearth.....	45
Optional Glass Panel Installation (Parts # 656-921 and # 656-920) .....	46
Optional Extended Hearth Kit Installation (Part # 656-952) .....	47
Extended Hearth Glass Top Installation (Part # 656-922) .....	49
Chase Venting.....	49
Exterior Vent Termination Locations.....	50
4" x 6-5/8" (102mm x 168mm) Rigid Pipe Cross Reference Chart....	51
Wall Mount On/Off Switch and Battery Holder Installation .....	53
Vent Restrictor Position.....	54
Horizontal Terminations - Flex Vent 4" x 6-7/8" (102mm x 175mm) .....	55
Venting Introduction.....	56
Venting Arrangement for Horizontal Terminations (Rigid/Flex Pipe) .	56
Horizontal Terminations - Rigid Pipe 4" x 6-5/8" (102 mm x 168 mm) .....	57
Horizontal Terminations - Rigid Pipe 4" x 6-5/8" (102mm x 168mm) .....	58
Vertical Terminations - Rigid Pipe 4" x 6-5/8" (102mm x 168mm) ...	59
Venting Arrangement for Vertical Terminations - Straight Vertical Venting and/or with a Max. of Two (2) 90° Elbows (1 - 90° = 2 - 45°).....	60
Vertical Terminations - Rigid Pipe 4" x 6-5/8" (102mm x 168mm) ...	61
Horizontal Termination - 4" x 6-5/8" (102mm x 168mm) Venting (Rigid Vent Systems) .....	62
Horizontal Termination - 4" x 6-5/8" (102mm x 168mm) Venting (Flex Vent Systems).....	63
Dura-Vent Horizontal Terminations.....	64

Dura-Vent Vertical Termination - 4" x 6-5/8" (102mm x 168mm) Venting (Rigid Vent Systems) .....	65
Vertical Termination 4" x 6-7/8" (102mm x 175mm) Venting - Vertical Flex Vent Kit (946-755) .....	66
Vertical Flue Extension Kit (Part #946-756) .....	67
Ceiling Firestop/Firestop Spacer (Part #946-757).....	67
System Data .....	68
High Elevation.....	68
Gas Line Installation .....	68
Pilot Adjustment.....	68
Gas Pipe Pressure Testing .....	68
885 S.I.T. Valve Description.....	68
Wiring Diagram .....	69
Inner Glass Panel (Firebox Glass) Installation/Removal.....	70
Outer Safety Glass Panel (Barrier Glass) Installation/Removal .....	72
LP Conversion Instructions .....	74
CB40E Painted Panel Installation (Part # 656-917).....	76
Inner Panels - CB40E.....	76
Outer Panels - CB40E .....	76
Glass Panel Installation (Part # 656-916) .....	77
CB40E Enamel Panel Installation (Part # 656-918).....	78
Burner and Firebox Media Options.....	79
Optional Driftwood Log Set Installation (Part # 656-930/P).....	80
Optional Birchwood Log Set Installation (Part # 656-932/P) .....	82
Optional Splitwood Log Set Installation (Part # 656-934/P) .....	84
TV Kit Installation (Part # 656-924).....	86

## Operating Instructions

First Fire.....	88
Normal Operating Sounds Of Gas Appliances.....	88
Aeration Adjustment.....	88

## Maintenance

Maintenance Instructions.....	89
General Vent Maintenance .....	89
Log Replacement .....	89
Glass Gasket .....	89
Glass.....	89
Glass Replacement .....	89
Bulb Replacement .....	90
Valve Replacement .....	91
Gas Maintenance - Recommended Annual Routine.....	92

## Parts List

Main Assembly.....	93
Main Assembly/Accessories .....	94



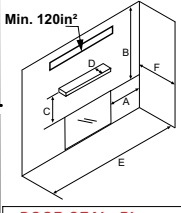
<b>Warranty .....</b>	<b>98</b>
-----------------------	-----------

This is a copy of the label that accompanies Direct Vent Gas Fireplace. We have printed a copy of the contents here for your review. The safety label is located on the front inside base of the unit, visible when the outer front panel is removed.

NOTE: Regency® units are constantly being improved. Check the label on the unit and if there is a difference, the label on the unit is the correct one.


Copy of Safety Decal

Duplicate S/N 484

	<p><b>Listed/Nom:</b> VENTED GAS FIREPLACE HEATERS / APPAREIL DE CHAUFFAGE AU GAZ À ÉVACUATION.  <b>Certified to/Certifié :</b> ANSI Z21.88-2019 • CSA-2.33-2019                  CSA 2.17-2017</p> <p><b>MAY BE INSTALLED IN MANUFACTURED (MOBILE) HOMES AFTER FIRST SALE.</b>                  Refer to Intertek's Directory of Building Products for detailed information.                  Pour plus de détails, se reporter au Répertoire des produits de construction de Intertek.</p>		<p><b>DO NOT REMOVE THIS LABEL / NE PAS ENLEVER CETTE ÉTIQUETTE</b></p> <p>Serial No./ No de série</p> <div style="border: 1px solid black; padding: 2px 10px; text-align: center;">484</div>																											
<p><b>NATURAL GAS: Model: CV40E-NG11/CB40E-NG11</b></p> <table border="0" style="width: 100%; font-size: small;"> <tr><td>Minimum supply pressure</td><td>5.0"</td><td>WC/C.E.</td><td>(1.25 kPa)</td></tr> <tr><td>Manifold pressure - High</td><td>3.8"</td><td>WC/C.E.</td><td>(0.94 kPa)</td></tr> <tr><td>Manifold pressure - Low</td><td>1.1"</td><td>WC/C.E.</td><td>(0.27 kPa)</td></tr> <tr><td>Orifice size</td><td>#42</td><td>DMS</td><td></td></tr> <tr><td>Maximum input</td><td>28,500</td><td>Btu/h</td><td>(8.33 kW)</td></tr> <tr><td>Minimum input</td><td>15,500</td><td>Btu/h</td><td>(4.54 kW)</td></tr> <tr><td>Altitude</td><td>0-4500</td><td>ft/pi</td><td>(0-1372 m)</td></tr> </table>	Minimum supply pressure	5.0"	WC/C.E.	(1.25 kPa)	Manifold pressure - High	3.8"	WC/C.E.	(0.94 kPa)	Manifold pressure - Low	1.1"	WC/C.E.	(0.27 kPa)	Orifice size	#42	DMS		Maximum input	28,500	Btu/h	(8.33 kW)	Minimum input	15,500	Btu/h	(4.54 kW)	Altitude	0-4500	ft/pi	(0-1372 m)	<p><b>APPAREIL FONCTIONNANT AU GAZ NATUREL</b>  <b>Modèle CV40E-NG11/CB40E-NG11</b></p> <p>Pression d'alimentation minimale                  Pression de sortie (manifold) - Haute                  Pression de sortie (manifold) - Basse                  Taille de l'orifice                  Débit calorifique maximal                  Débit calorifique minimal                  Altitude</p>	<div style="border: 1px solid black; padding: 5px;"> <p>Minimum Clearances to Combustibles / Dégagements minimaux par rapport aux matériaux combustibles</p>  <p><b>Side Walls / Murs latéraux</b> A 8.5" (216 mm)  <b>Ceiling / Plafond</b> B 37-1/2" (953 mm)  <b>Min. Mantel Height/Hteur Min Manteau</b> C 9" (229 mm) with 12" mantel  <b>Max. Mantel Depth/Profondeur Max Manteau</b> D 12" (305 mm)  <b>Alcove Width/Largeur Alcove</b> E 84" (1524 mm)  <b>Alcove Depth/Profondeur Alcove</b> F 36" (2134 mm)                  (See Instruction Manual for detailed instructions) (Voir manuel pour plus de détails)</p> <p><b>DOOR SEAL: Please check that the door is properly sealed</b></p> </div>
Minimum supply pressure	5.0"	WC/C.E.	(1.25 kPa)																											
Manifold pressure - High	3.8"	WC/C.E.	(0.94 kPa)																											
Manifold pressure - Low	1.1"	WC/C.E.	(0.27 kPa)																											
Orifice size	#42	DMS																												
Maximum input	28,500	Btu/h	(8.33 kW)																											
Minimum input	15,500	Btu/h	(4.54 kW)																											
Altitude	0-4500	ft/pi	(0-1372 m)																											
<p><b>PROPANE GAS: Model: CV40E-LP11/CB40E-LP11</b></p> <table border="0" style="width: 100%; font-size: small;"> <tr><td>Minimum supply pressure</td><td>11"</td><td>WC/C.E.</td><td>(2.73 kPa)</td></tr> <tr><td>Manifold pressure - High</td><td>10.5"</td><td>WC/C.E.</td><td>(2.62 kPa)</td></tr> <tr><td>Manifold pressure - Low</td><td>2.9"</td><td>WC/C.E.</td><td>(0.72 kPa)</td></tr> <tr><td>Orifice size</td><td>#53</td><td>DMS</td><td></td></tr> <tr><td>Maximum input</td><td>28,500</td><td>Btu/h</td><td>(8.35kW)</td></tr> <tr><td>Minimum input</td><td>15,500</td><td>Btu/h</td><td>(4.54 kW)</td></tr> <tr><td>Altitude</td><td>0-4500</td><td>ft/pi</td><td>(0-1372 m)</td></tr> </table>	Minimum supply pressure	11"	WC/C.E.	(2.73 kPa)	Manifold pressure - High	10.5"	WC/C.E.	(2.62 kPa)	Manifold pressure - Low	2.9"	WC/C.E.	(0.72 kPa)	Orifice size	#53	DMS		Maximum input	28,500	Btu/h	(8.35kW)	Minimum input	15,500	Btu/h	(4.54 kW)	Altitude	0-4500	ft/pi	(0-1372 m)	<p><b>APPAREIL FONCTIONNANT AU GAZ PROPANE</b>  <b>Modèle CV40E-LP11/CB40E-LP11</b></p> <p>Pression d'alimentation minimale                  Pression de sortie (manifold) - Haute                  Pression de sortie (manifold) - Basse                  Taille de l'orifice                  Débit calorifique maximal                  Débit calorifique minimal                  Altitude</p>	
Minimum supply pressure	11"	WC/C.E.	(2.73 kPa)																											
Manifold pressure - High	10.5"	WC/C.E.	(2.62 kPa)																											
Manifold pressure - Low	2.9"	WC/C.E.	(0.72 kPa)																											
Orifice size	#53	DMS																												
Maximum input	28,500	Btu/h	(8.35kW)																											
Minimum input	15,500	Btu/h	(4.54 kW)																											
Altitude	0-4500	ft/pi	(0-1372 m)																											

This appliance must be installed in accordance with local codes, if any; if none, follow the National Fuel Gas Code, ANSI Z223.1, or Natural Gas and Propane Installation Code, CSA B149.1.  
 This appliance must be installed in accordance with the Standard CAN/CSA Z240 MH, Mobile Housing, in Canada, or with the Manufactured Home Construction and Safety Standard, Title 24 CFR, Part 3280, in the United States, or when such a standard is not applicable, ANSI/NCSCS A225.1/NFPA 501A, Manufactured Home Installations Standard or ANSI A119.2 ou NFPA 501C Standard for Recreational Vehicles  
 This appliance is only for use with the type(s) of gas indicated on the rating plate and may be installed in an aftermarket, permanently located, manufactured home (USA only) or mobile home, where not prohibited by local codes. See owner's manual for details. This appliance is supplied with a conversion kit.  
 L'appareil doit être installé conformément aux codes et règlements locaux, ou, en l'absence de tels règlements, selon les codes d'installation National Fuel Gas Code ANSI Z223.1, ou CSA-B149.1 Natural Gas and Propane Installation Code en vigueur.  
 L'appareil doit être installé conformément à la norme CAN/CSA-Z240, Série MM, Maisons mobiles ou CAN/CSA-Z240 VC, Véhicules de camping, ou la norme 24 CFR Part 3280, Manufactured Home Construction and Safety Standard. Si ces normes ne sont pas applicables, veuillez vous référer à la norme ANSI/NCSCS A225.1/NFPA 501A, Manufactured Home Installations Standard, ou ANSI A119.2 ou NFPA 501C Standard for Recreational Vehicles.  
 Cet appareil doit être utilisé uniquement avec les types de gaz indiqués sur la plaque signalétique et peut être installé dans une maison préfabriquée (É.-U. seulement) ou mobile installée à demeure si les règlements le permettent.  
 For Use Only with Barrier CV40E - 1 sided (Part # 940-435/P) & CB40E 3 sided (Part # 940-438/P,940-439/P,940-440/P) Follow installation instructions. FPI Fireplace Products International Ltd.  
 Utiliser uniquement avec l'écran CV40E - 1 face (n°940-435/P) & CB40E - 3 faces (n°940-438/P,940-439/P,940-440/P). Suivre les instructions d'installation. Delta, BC, Canada  
**FOR USE WITH GLASS DOORS CERTIFIED WITH THE APPLIANCE ONLY À UTILISER AVEC LES PORTES VITRÉES HOMOLOGUÉES POUR L'APPAREIL**  
 Electrical supply / Alimentation électrique 115VAC, 1.5 A, 60Hz. Part No. 946-556 Heatwave Kit may be used. Le système Heatwave (pièce n°946-556) peut être utilisé.  
**VENTED GAS FIREPLACE - NOT FOR USE WITH SOLID FUELS. CATEGORY I.**  
**FOYER AU GAZ À ÉVACUATION - NE PAS UTILISER AVEC UN COMBUSTIBLE SOLIDE. CATÉGORIE I.**

Model/Modèle :  CV40E-NG11  CV40E-LP11  CB40E-NG11  CB40E-LP11

	CSA P.4.1 Fireplace Efficiency (FE) /Efficacité énergétique des foyers (EEF) CSA P.4.1 Natural Gas / Gaz naturel 55.23% Propane Gas / Gaz propane 56.06%	Made in Canada/ Fabriqué au Canada 919-929b
--	--	---

For the State of Massachusetts, installation and repair must be done by a plumber or gas fitter licensed in the Commonwealth of Massachusetts.

For the State of Massachusetts, flexible connectors shall not exceed 36 inches in length.

For the State of Massachusetts, the appliances individual manual shut-off must be a t-handle type valve.

The State of Massachusetts requires the installation of a carbon monoxide alarm in accordance with NFPA 720 and a CO alarm with battery back up in the same room where the gas appliance is installed.

Decal Location

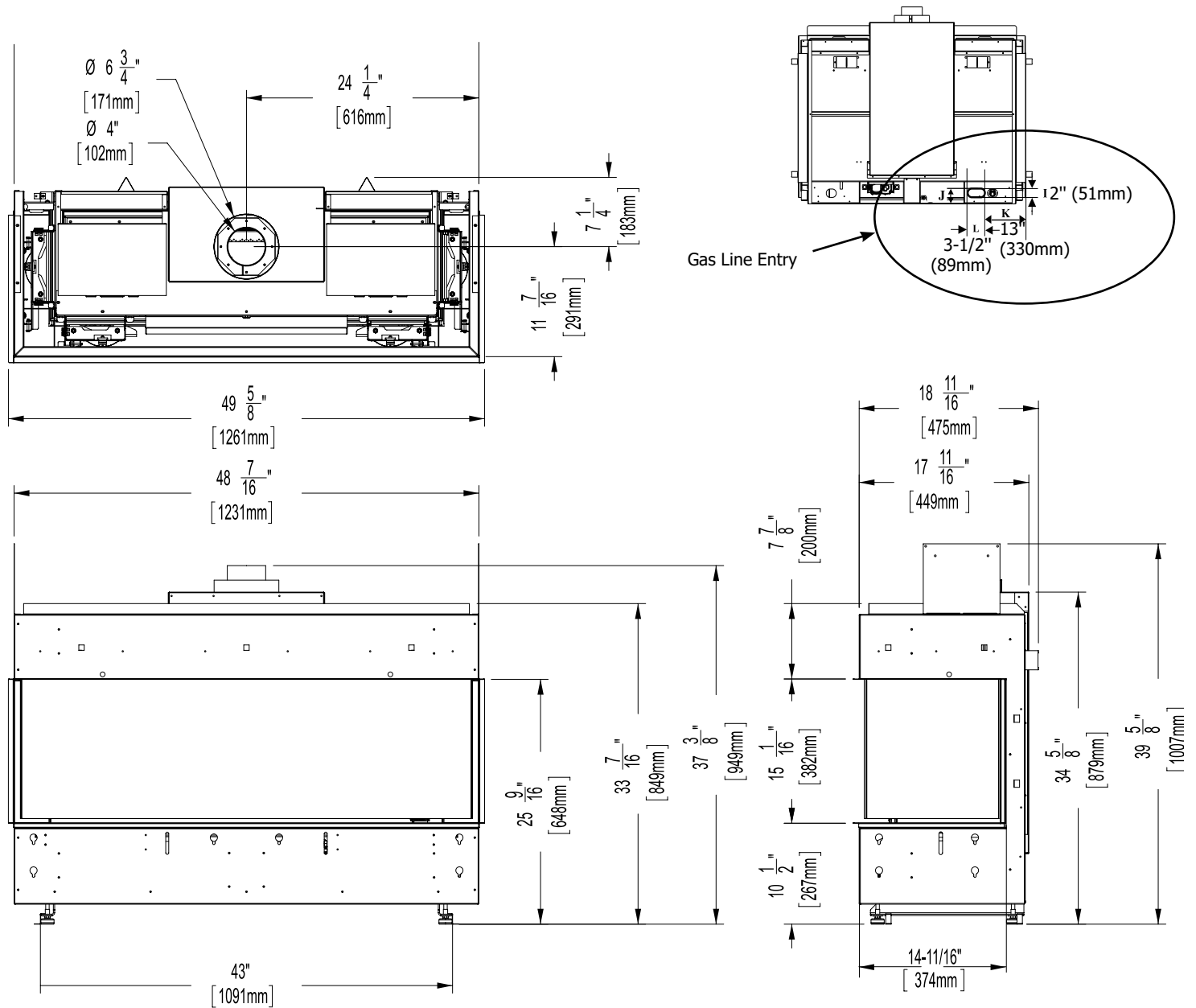


Remove barrier glass from unit (refer to manual) lift out the outer liner base glass once the glass has been removed the rating plate will be attached to a small black chain as seen below.

DO NOT REMOVE DECAL FROM UNIT

# dimensions

## Dimensions (3 sided)



**Note: Electrical connection on left hand side of the appliance.**

**A metal receptacle box is supplied/installed with the appliance to make all 120 volt electrical connections.**

Note: Height Dimension may vary depending on the height of the leveling legs.

Dimensions will appear as (inches)" / (metric)mm throughout this manual. The inches are rounded to the nearest 1/16" when converted, when greater accuracy is required, use the metric dimensions.

**Note: These units are non-load bearing.**

**Gas Installation Checklist**

This general checklist does not contain all pertinent installation details or specifics and does not supersede the guidelines in this manual. Your Regency dealer/installer should use it in conjunction with manual instructions. Please follow all local codes and jurisdictions in authority.

<b>Customer:</b> _____	<b>Date Installed:</b> _____
<b>Install Address:</b> _____	<b>Location of Fireplace:</b> _____
<b>Serial No:</b> _____	<b>Installer:</b> _____
<b>Model No:</b> _____	

<b>Site Requirements</b>	<b>YES</b>	<b>NO</b>
If applicable, are the insulation, vapour barrier, and drywall present if installed on an outside wall or chase?		
Does the area have a solid continuous base to support the unit?		
Will the area accommodate the size of the appliance and all clearances?		
Are the gas and electrical roughed into the area where the unit is being installed?		
In City & Grandview series cool wall applications, is the chase enclosure sealed to prevent heat from escaping? All hot air from the unit must exit via the mandatory ventilation openings.		
In City & Grandview applications, Is the chase enclosure vented with the mandatory heat ventilation openings? See manual for details.		
If applicable, is the masonry/factory built fireplace in its original condition with no modifications?		
If applicable, have the hearth requirements been met?		
<b>Unit Setup</b>	<b>YES</b>	<b>NO</b>
If applicable, are the standoffs and top nailing flange extensions installed and at the correct depth to accommodate finishing material? See manual for details.		
If applicable, is the fireplace level and secured, meeting framing clearances? See manual for details.		
If applicable, is the unit converted to top or rear vent per manual instructions, and the insulation discarded?		
<b>Venting</b>	<b>YES</b>	<b>NO</b>
Are the venting components approved for the unit installed?		
Does the venting configuration comply with venting diagrams?		
Is venting installed and secured, and are clearances for the vent pipe and termination cap maintained?		
If applicable, was a 1/4" rise maintained for every foot of horizontal run?		
Was the termination installed and sealed?		
Is the direct vent termination at the highest point in the vent assembly?		
If applicable, are both chimney liners continuous from flue collars to termination?		
<b>Electrical and Wiring</b>	<b>YES</b>	<b>NO</b>
Is the appliance connected to the household's 110/120v per local codes? Check local codes for receptacle placement.		
Were the connections in the fireplace tested with a circuit tester?		
Is the appliance properly grounded?		
If applicable, is the supplied electrical/gang box affixed to the wall to facilitate the mounting of the receiver/battery box ?		
<b>Gas</b>	<b>YES</b>	<b>NO</b>
Does the supply pressure meet the requirements shown on the rating plate?		
Was a conversion performed?		
Was a leak check performed and manifold pressures verified?		
Is the shut-off valve installed and easily accessible to the customer?		

# installation

<b>Finishing</b>	<b>YES</b>	<b>NO</b>
If applicable, is only noncombustible material installed in the noncombustible areas?		
Do clearances meet installation and manual requirements?		
Do the mantels and/or projections comply with the installation manual?		
If applicable, was the solid fuel fireplace warning plate installed?		
<b>Appliance Media Setup</b>	<b>YES</b>	<b>NO</b>
Do commands from the remote or wall switch light the pilot and main burner?		
Are the burner media/log set, glass door, and screen installed per instructions in the manual?		
Was the air shutter on the proper setting after running the unit for 20 minutes?		
If applicable, were the surround and trims installed according to the manual?		
Was the operation of the fan, lights (if installed), and flame modulation checked?		
<b>Customer Tutorial and Presentation</b>	<b>YES</b>	<b>NO</b>
Is the customer confident operating the new gas appliance and aware of all the features on the remote?		
Confirm that the rating and lighting plates are attached to the appliance. Do not remove.		
Was the customer informed of the location of the rating and lighting plates?		
Was accessing unit controls in a power outage explained to the customer?		
Are the model and serial numbers and the date of installation of the unit written in the manual and on the checklist?		
Were the warranty and unit registration reviewed with the customer?		
<b>Comments:</b>		



**Important Message**

**SAVE THESE INSTRUCTIONS**

City Series Direct Vent Fireplaces must be installed in accordance with these instructions. Carefully read all the instructions in this manual first. Consult the "authority having jurisdiction" to determine the need for a permit prior to starting the installation. It is the responsibility of the installer to ensure this fireplace is installed in compliance with manufacturer's instructions and all applicable codes.

**Before You Start**

Safe installation and operation of this appliance requires common sense, however, we are required by the Canadian Safety Standards and ANSI Standards to make you aware of the following:

**INSTALLATION AND REPAIR SHOULD BE DONE BY AN AUTHORIZED SERVICE PERSON. THE APPLIANCE SHOULD BE INSPECTED BEFORE USE AND AT LEAST ANNUALLY BY A PROFESSIONAL SERVICE PERSON. MORE FREQUENT CLEANING MAY BE REQUIRED DUE TO EXCESSIVE LINT FROM CARPETING, BEDDING MATERIAL, ETC. IT IS IMPERATIVE THAT CONTROL COMPARTMENTS, BURNERS AND CIRCULATING AIR PASSAGeways OF THE APPLIANCE BE KEPT CLEAN.**

**DUE TO HIGH TEMPERATURES, THE APPLIANCE SHOULD BE LOCATED OUT OF TRAFFIC AND AWAY FROM FURNITURE AND DRAPERIES.**

**WARNING: FAILURE TO INSTALL THIS APPLIANCE CORRECTLY WILL VOID YOUR WARRANTY AND MAY CAUSE A SERIOUS HOUSE FIRE.**



**CHILDREN AND ADULTS SHOULD BE ALERTED TO THE HAZARDS OF HIGH SURFACE TEMPERATURES, ESPECIALLY THE FIREPLACE GLASS, AND SHOULD STAY AWAY TO AVOID BURNS OR CLOTHING IGNITION.**

**YOUNG CHILDREN SHOULD BE CAREFULLY SUPERVISED WHEN THEY ARE IN THE SAME AREA AS THE APPLIANCE. TODDLERS, YOUNG CHILDREN AND OTHERS MAY BE SUSCEPTIBLE TO ACCIDENTAL CONTACT BURNS. A PHYSICAL BARRIERS IS RECOMMENDED IF THERE ARE AT RISK INDIVIDUAL IN THE HOUSE. TO RESTRICT ACCESS TO A FIREPLACE OR STOVE, INSTALL AN ADJUSTABLE SAFETY GATE TO KEEP TODDLERS, YOUNG CHILDREN AND OTHER AT RISK INDIVIDUALS OUT OF THE ROOM AND AWAY FROM HOT SURFACES.**

**CLOTHING OR OTHER FLAMMABLE MATERIAL SHOULD NOT BE PLACED ON OR NEAR THE APPLIANCE.**

**A BARRIER DESIGNED TO REDUCE THE RISK OF BURNS FROM THE HOT VIEWING GLASS IS PROVIDED WITH THIS APPLIANCE AND SHALL BE INSTALLED FOR THE PROTECTION OF CHILDREN AND OTHER AT-RISK INDIVIDUALS**

**ANY SAFETY SCREEN, GUARD, OR BARRIER REMOVED FOR SERVICING THE APPLIANCE, MUST BE REPLACED PRIOR TO OPERATING THE APPLIANCE.**

**IF THE BARRIER BECOMES DAMAGED, THE BARRIER SHALL BE REPLACED WITH THE MANUFACTURER'S BARRIER FOR THIS APPLIANCE.**

**WE RECOMMEND REMOVING THE GLASS WITH THE GLASS VACUUM HOLDERS SUPPLIED BY THE MANUFACTURER. LOWER THE GLASS TO REST IN A SAFE PLACE. THIS IS TO PREVENT DAMAGE TO THE GLASS EDGES. EXTRA CARE MUST BE TAKEN WHEN REMOVING/INSTALLING THE GLASS. BREAKAGE OR DAMAGE TO THE EDGE OF THE GLASS WHICH OCCURS AS A RESULT OF CARELESS HANDLING WILL NOT BE COVERED UNDER WARRANTY.**

 **WARNING: Cancer and Reproductive Harm**  
[www.P65Warnings.ca.gov](http://www.P65Warnings.ca.gov)

919-874

# owner's information

## General Safety Information

1. The appliance installation must conform with local codes or, in the absence of local codes, with the current Canadian or National Gas Codes, CSA B149.1 or ANSI Z223.1 Installation Codes.
2. See general construction and assembly instructions. The appliance and vent should be enclosed.
3. This appliance must be connected to the specified vent and termination cap to the outside of the building envelope. Never vent to another room or inside a building. Make sure that the vent is fitted as per Venting instructions.
4. Inspect the venting system annually for blockage and any signs of deterioration.
5. Venting terminals shall not be recessed into a wall or siding.
6. Any safety glass removed for servicing must be replaced prior to operating the appliance.
7. To prevent injury, do not allow anyone who is unfamiliar with the operation to use the fireplace.
8. Wear gloves and safety glasses for protection while doing required maintenance.
9. Be aware of electrical wiring locations in walls and ceilings when cutting holes for termination.
10. Under no circumstances should this appliance be modified. Parts that have to be removed for servicing should be replaced prior to operating this appliance.
11. Installation and any repairs to this appliance should be done by a qualified service person. A professional service person should be called to inspect this appliance annually. Make it a practice to have all of your gas appliances checked annually.
12. Do not slam shut or strike the glass door.
13. Under no circumstances should any solid fuels (wood, paper, cardboard, coal, etc.) be used in this appliance.
14. The appliance area must be kept clear and free of combustible materials, (gases and other flammable vapours and liquids).

**Lighting Procedure**

**IMPORTANT:** The remote control system supplied with this appliance has several options for starting/operating the appliance using the battery holder and ON/OFF key on the hand held transmitter. Prior to operating this appliance, please read the remote control operating instructions (packaged with remote control) to understand how to operate this remote control system.

1. Ensure the battery holder switch is in the Remote position and / or wall mounted battery holder (if equipped) is in the <REMOTE> position.
2. Press and release the ON/OFF button on the remote handheld transmitter (see Diagram 1). An audible beep should be heard from the receiver. If not using the remote, the unit can also be turned on by sliding the battery holder switch to the <ON> position (if equipped).



Diagram 1

Remote (Part # 911-175) Shown in Manual Mode on Hi

3. After approximately 4 seconds the spark ignition system will spark for 60 seconds to light the pilot.
4. The unit will turn on.



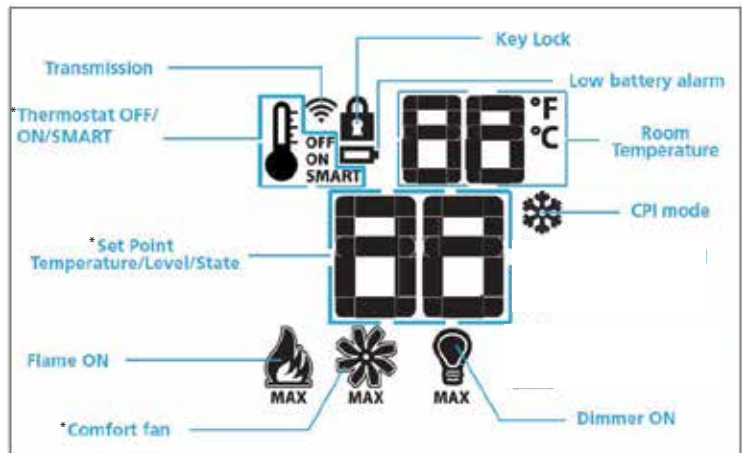
**Note:** The first try for ignition will last approximately 60 seconds. If there is no flame ignition (rectification) the board will stop sparking for approximately 35 seconds. After wait time, the board will start second try for ignition by sparking for approximately 60 seconds. If there is still no positive ignition the board will go into lock out.

The system will need to be reset as follows:

- a) Turn the system off by pressing the ON/OFF button on the remote.
- b) Wait 5 minutes then repeat from step 2.

**Shutdown Procedure**

1. Press the ON/OFF button on the remote
2. If service is to be performed- you must disconnect power and shut off gas to the unit.



\* Not offered on all models.

**Continuous Pilot/Intermittent Pilot (CPI/IPI) selection**

See remote control instructions for details.

**On Demand Pilot Light**

**Important:**

This appliance has a timer built into the pilot light. The timer starts when the main burner has been shut-off via the remote control, thermostat, or ON/OFF switch. Once the burner is shut off, the timer is set for 7 days. If there is no call for heat within a 7 day period -- the pilot is designed to extinguish.

See instructions in this manual for lighting pilot.

## Copy of the Lighting Plate Instructions

**FOR YOUR SAFETY READ BEFORE LIGHTING**  
**POUR VOTRE SÉCURITÉ – À LIRE AVANT LA MISE EN MARCHÉ**

This appliance must be installed in accordance with local codes, if any; if none, follow the National Fuel Gas Code, ANSI Z223.1/NFPA 54, or Natural Gas and Propane Installation Codes, CSA B149.1.  
 Cet appareil doit être installé conformément aux codes locaux, s'il y a lieu. En l'absence de tels codes, suivre le National Fuel Gas Code, ANSI Z223.1/NFPA 54, ou les Natural Gas and Propane Installation Codes, CSA B149.1.

**WARNING: If you do not follow these instructions exactly, a fire or explosion may result causing property damage, personal injury or loss of life. Improper installation, adjustment, alteration, service or maintenance can cause injury or property damage. Refer to the owner's information manual provided with this appliance. For assistance or additional information consult a qualified installer, service agency or gas supplier.**

**AVERTISSEMENT : Quiconque ne respecte pas scrupuleusement les instructions de la présente notice risque de déclencher un incendie ou une explosion pouvant entraîner des dégâts matériels ou des blessures pouvant être mortelles. Tout défaut d'installation, de réglage, de modification, de service ou d'entretien peut entraîner des blessures ou des dommages matériels. Reportez-vous au manuel d'utilisation fourni avec cet équipement. Pour obtenir de l'aide ou des informations complémentaires, consultez un installateur ou un service d'entretien qualifié, ou le fournisseur de gaz.**

A) This appliance is equipped with an ignition device which automatically lights the pilot.  
 Do not try to light the pilot by hand.

B) **BEFORE OPERATING** smell all around the appliance area for gas. Be sure to smell next to the floor because some gas is heavier than air and will settle on the floor.

**WHAT TO DO IF YOU SMELL GAS**

- Do not try to light any appliance.
- Do not touch any electric switch, do not use any phone in your building.
- Immediately call your gas supplier from a neighbours phone. Follow the gas supplier's instructions.
- If you cannot reach your gas supplier, call the fire department.

C) Do not use this appliance if any part has been under water. Immediately call a qualified service technician to inspect the appliance and replace any part of the control system and any gas control which has been underwater.

A) Cet appareil est muni d'un dispositif d'allumage qui allume automatiquement la veilleuse.  
 Ne tentez pas d'allumer la veilleuse manuellement.

B) **AVANT LA MISE EN MARCHÉ**, reniflez tout autour de l'appareil pour déceler une odeur de gaz. Reniflez au niveau du plancher, car certains gaz sont plus lourds que l'air et peuvent s'accumuler au niveau du sol.

**QUE FAIRE SI VOUS SENTEZ UNE ODEUR DE GAZ :**

- Ne tentez pas d'allumer l'appareil
- Ne touchez à aucun interrupteur; n'utilisez pas de téléphones se trouvant dans le bâtiment.
- Appelez immédiatement votre fournisseur de gaz depuis un téléphone extérieur. Suivez les instructions du fournisseur.
- Si vous ne pouvez pas rejoindre le fournisseur, appelez le service incendie.

C) N'utilisez pas cet appareil s'il a été plongé dans l'eau, même partiellement. Faites inspecter l'appareil par un technicien qualifié et remplacez tout élément du système de contrôle ou de commande qui a été plongé dans l'eau.

**CAUTION: Hot while in operation. Do not touch. Severe burns may result. Due to high surface temperatures keep children, clothing and furniture, gasoline and other liquids having flammable vapors away. Keep burner and control compartment clean. See installation and operating instructions accompanying appliance.**

**ATTENTION : Surfaces chaudes lorsque l'appareil est en marche. Ne pas toucher. Risque de brûlures graves. En raison des températures élevées, les enfants, les vêtements et le mobilier, le carburant et tout autre liquide aux vapeurs inflammables doivent être tenus éloignés de l'appareil. Nettoyer régulièrement le brûleur et le compartiment des commandes. Voir les consignes d'installation et d'utilisation fournies avec l'appareil.**

**LIGHTING INSTRUCTIONS / CONSIGNES D'ALLUMAGE**

1) Ensure the Main switch is in the ON position and/or the wall mounted battery holder (if equipped) is in the <REMOTE> position.

2) Press and release the ON/OFF button on the remote handheld transmitter. An audible beep should be heard from the receiver. If not using the remote, the unit can also be turned on by sliding the battery holder switch to the <ON> position (if equipped).

3) After approximately 4 seconds the spark ignition system will spark for 60 seconds to light the main burner.

4) The unit will turn on.

Note: The first attempt to ignition will last approximately 60 seconds. If there is no flame ignition (rectification) the board will stop sparking for approximately 35 seconds. After this wait time, the board will start a second try for ignition by sparking for approximately 60 seconds. If there is still no positive ignition after the second attempt the board will go into lock out.  
 The system will need to be reset as follows (after going into lock out mode):

- a) Wait 5 minutes - turn the system off by pressing the ON/OFF button on the remote.
- b) After approximately 2 seconds press the ON/OFF button again.
- c) Unit will repeat step 2.

1) S'assurer que le commutateur principal est en position ON et/ou que le bloc-piles mural (le cas échéant) est en position <REMOTE>.

2) Appuyer sur la touche ON/OFF de la télécommande puis relâcher. Un bip sonore retentira depuis le récepteur. Si vous n'utilisez pas la télécommande, l'appareil peut également être allumé en faisant glisser le commutateur du bloc-piles sur la position <ON> (le cas échéant).

3) Après environ 4 secondes, le système d'allumage produira une étincelle pendant 60 secondes pour allumer le brûleur principal.

4) L'appareil s'allumera.

Remarque : Au premier allumage, le système tente d'allumer les flammes pendant 60 secondes. Si l'essai est infructueux, le système fera une pause de 35 secondes. C'est ce qu'on appelle l'étape de rectification. Ce délai écoulé, le système tente à nouveau d'allumer les flammes en produisant des étincelles pendant 60 secondes. Si les flammes ne s'allument toujours pas, le système se met en mode verrouillage.

Il faut alors le réinitialiser en suivant les étapes ci-dessous (pour le déverrouiller) :

- a) Attendre 5 minutes et éteindre l'appareil en appuyant sur la touche ON/OFF de la télécommande.
- b) Attendre 2 secondes et appuyer encore une fois sur la touche ON/OFF.
- c) L'appareil répètera l'étape 2.

**TO TURN OFF GAS APPLIANCE / POUR ÉTEINDRE UN APPAREIL AU GAZ**

1) Press the ON/OFF button on the remote.

2) If service is to be performed—you must disconnect power and shut off gas to the unit.

1) Appuyer sur la touche ON/OFF de la télécommande.

2) Lors de l'entretien de l'appareil, vous devez débrancher l'alimentation électrique et couper le gaz alimentant l'appareil.

DO NOT REMOVE THIS INSTRUCTION PLATE

NE PAS ENLEVER CETTE ÉTIQUETTE D'INSTRUCTIONS

919-649

**Proflame II Remote Control Operating Instructions**

**IMPORTANT:**The Proflame Transmitter 2 is an integrated part of the Proflame 2 System, which consists of these elements:

- Proflame 2 Transmitter, to be used in conjunction with:
- Integrated Fireplaces Control (Proflame 2 IFC)

The Proflame 2 Transmitter provides for controlling the following hearth appliance functions:

1. Main Burner On/Off
2. Main Burner flame modulation (6 levels)
3. Choice of standing or intermittent pilot (CPI/IPI)
4. Thermostat and Smart thermostat functions
5. Accent light modulation (6 levels)\*\*
6. Split flow valve\*\*
7. Comfort Fan speed modulation (6 levels)\*\*

\*\* This feature is not available on all models.

The Proflame Transmitter uses a streamline design with a simple button layout and informative LCD display (Fig. 1). A Mode Key is provided to index between the features and a Thermostat Key is used to turn on/off or index through Thermostat functions (Fig. 1 & 2). Additionally, a Key Lock feature is provided (Fig. 22).



Figure 1: Proflame Transmitter (Part # 911-175)

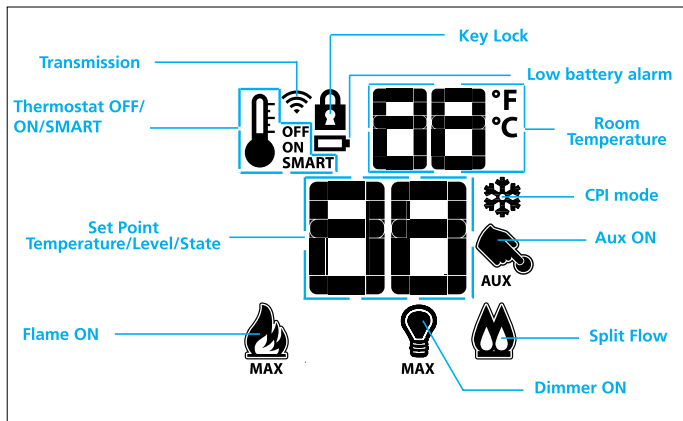


Figure 2: Transmitter LCD Display



TECHNICAL DATA REMOTE CONTROL	
Supply Voltage	4.5V (three 1.5V AAA batteries)
Ambient temperature ratings	0 - 50°C (32 - 122°F)
Radio Frequency	315 MHZ

**WARNING: THE TRANSMITTER AND RECEIVER ARE RADIO FREQUENCY DEVICES. PLACING THE RECEIVER IN OR NEAR METAL MAY SEVERELY REDUCE THE SIGNAL RANGE.**

**ATTENTION!**

- Turn "OFF" the main gas supply of the appliance during installation or maintenance of the Receiver device.
- Turn "OFF" main gas supply to the appliance prior to removing or reinserting the batteries.
- In case of remote control malfunction, turn off the IFC device using the "ON/OFF" main switch.
- For installation / maintenance, switch off the IFC device removing main power supply plug.

**Operating Procedure**

**Pairing the remote control to remote receiver / battery holder (if required)**

Power the receiver. Press the "PRG" button located on the top right hand corner of receiver/battery holder, see the receiver instruction (\*). The Receiver will "beep" three (3) times to indicate that it is ready to synchronize with a Transmitter. Install the 3 AAA type batteries in the Transmitter battery bay, located on the base of the Transmitter. (Fig. 3) With the batteries already installed in the Transmitter, push the On button. The Receiver will "beep" four times to indicate the Transmitter's command is accepted and sets to the particular code of that Transmitter. The system is now initialized.

(\*) The receiver may be independent or integral to the IFC hearth appliance control module. The receiver instruction may not be independent when part of the IFC.



Figure 3: Battery Compartment

# owner's information

## Temperature indication Display

With the system in the "OFF" position, press the Thermostat Key and the Mode Key at the same time. Look at the LCD screen on the transmitter to verify that a C or F is visible to the right of the room temperature display (Figures 4 & 5).

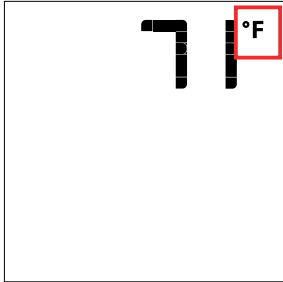


Figure 4: Remote Control display in Fahrenheit.

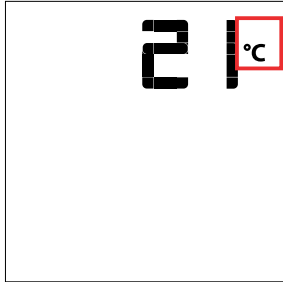


Figure 5: Remote Control display in Celsius.

## Turn on the Appliance

With the system OFF, press the ON/OFF Key on the Transmitter. The Transmitter display will show some other active Icons on the screen. At the same time the Receiver will activate the appliance. A single "beep" from the Receiver will confirm reception of the command.

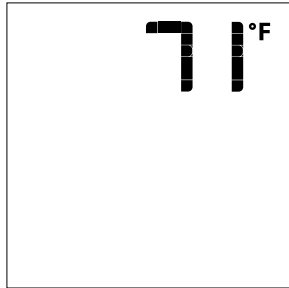


Figure 6: Remote Control display

## Turn off the Appliance

With the system ON, press the ON/OFF Key on the Transmitter. The Transmitter LCD display will only show the room temperature (Fig. 6). At the same time the Receiver will turn off the appliance. A single "beep" from the Receiver confirms reception of the command.

## Remote-Flame Control

The Proflame has six (6) flame levels. With the system on, and the flame level at the maximum in the appliance, pressing the Down Arrow Key once will reduce the flame height by one step until the flame is turned off. The Up Arrow Key will increase the flame height each time it is pressed. If the Up Arrow Key is pressed while the system is on but the flame is off, the flame will come on in the high position. (Fig. 7 & 8) A single "beep" will confirm reception of the command.

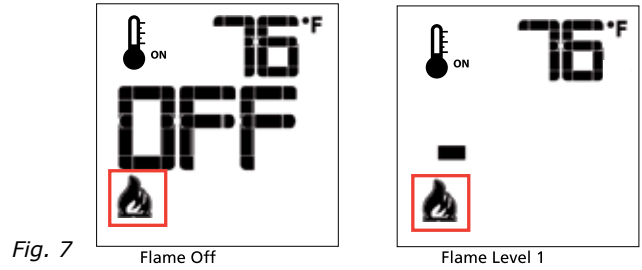
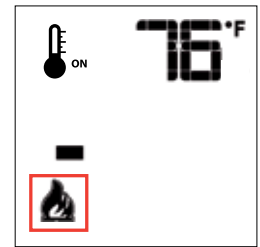


Fig. 7

Flame Off



Flame Level 1

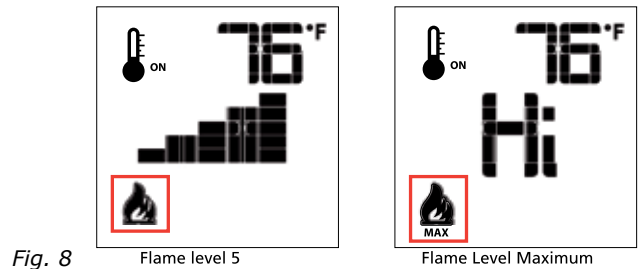


Fig. 8

Flame level 5

Flame Level Maximum

## Room Thermostat (Transmitter Operation)

The Remote Control can operate as a room thermostat. The thermostat can be set to a desired temperature to control the comfort level in a room. To activate this function, press the Thermostat Key (Fig. 1). The LCD display on the Transmitter will change to show that the room thermostat is "ON" and the set temperature is now displayed (Fig. 9). To adjust the set temperature, press the Up or Down Arrow Keys until the desired set temperature is displayed on the LCD screen of the Transmitter.

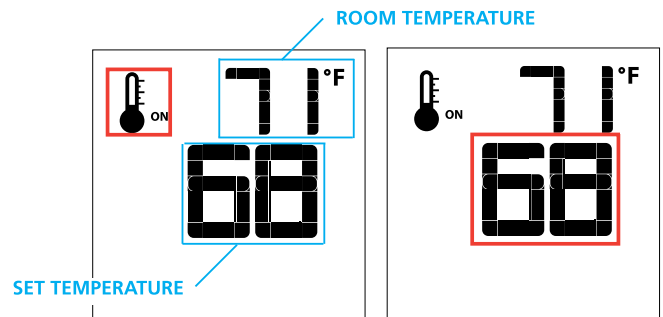


Figure 9

Figure 10

### Smart Thermostat (Transmitter Operation)

The Smart Thermostat function adjusts the flame height in accordance to the difference between the set point temperature and the actual room temperatures. As the room temperature gets closer to the set point the Smart Function will modulate the flame down.

To activate this function, press the Thermostat Key (Fig. 1) until the word "SMART" appears to the right of the temperature bulb graphic (Fig. 11). To adjust the set temperature, press the Up or Down Arrow Keys until the desired set temperature is displayed on the LCD screen of the Transmitter (Fig. 12).

Note. When Smart Thermostat is activated, manual flame height adjustment is disabled.

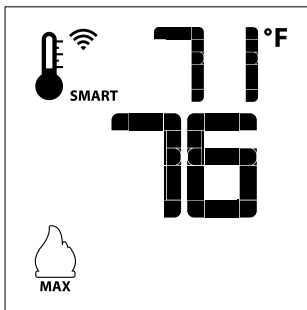


Figure 11: Smart Flame Function

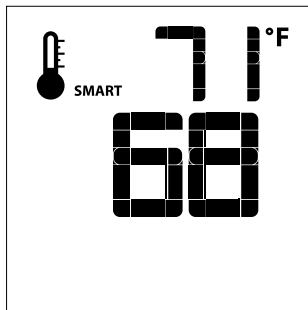


Figure 12

### Fan Speed Control\*\*

If the appliance is equipped with a hot air circulating fan, the speed of the fan can be controlled by the Proflame system. The fan speed can be adjusted through six (6) speeds. To activate this function use the Mode Key (fig.1) to index to the fan control icon (Fig. 13). Use the Up/Down Arrow Keys (fig.1) to turn on, off or adjust the fan speed (fig. 14). A single "beep" will confirm reception of the command.

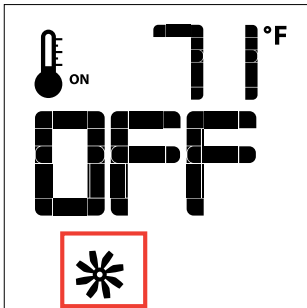


Figure 13

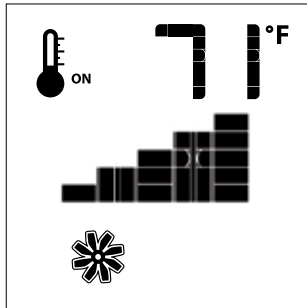


Figure 14

### Remote dimmer control (Light)\*\*

The auxiliary function controls the AUX power outlet by the dimmable light control. To activate this function use the Mode Key (fig. 1) to index to the AUX icon (fig. 15 & 16).

The intensity of the output can be adjusted through six (6) levels. Use the Up/Down Arrow Keys (Fig.1) adjust the output level (Fig. 16). A single "beep" will confirm reception of the command.

**Note:** This function is available only with the IFC Control Module.

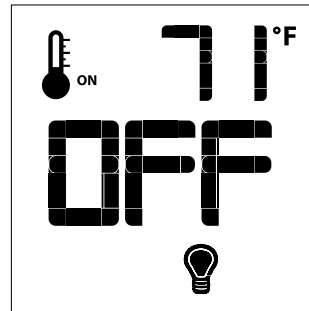


Figure 15

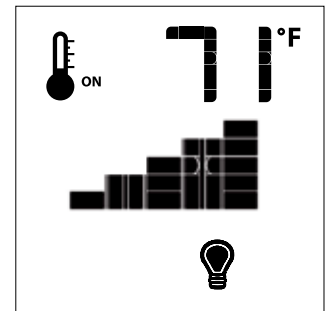


Figure 16

### Split Flow control\*\*

The secondary burner is controlled by the split Flow. To activate this function use the Mode Key (fig. 1) to index to the SPLIT FLOW mode icon (fig. 17 & 18).

Pressing the Up Arrow Key will activate the secondary burner. Pressing the Down Arrow Key will turn the secondary burner off. A single "beep" will confirm the reception of the command.

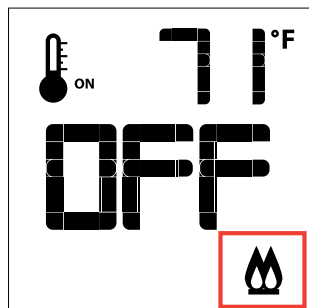


Figure 17

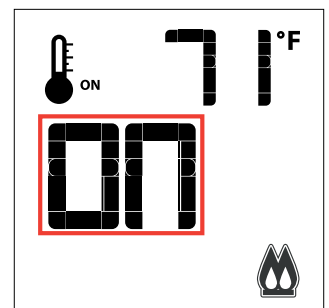


Figure 18

# owner's information

## Continuous Pilot/Intermittent Pilot (CPI/IPI) selection

**Note: Power vent models do not have a Continuous Pilot option.**

With the system in "OFF" position press the Mode Key (fig. 1) to index to the CPI mode icon (fig. 19 & 20). Pressing the Up Arrow Key will activate the Continuous Pilot Ignition mode (CPI). Pressing the Down Arrow Key will return to IPI. A single "beep" will confirm the reception of the command.

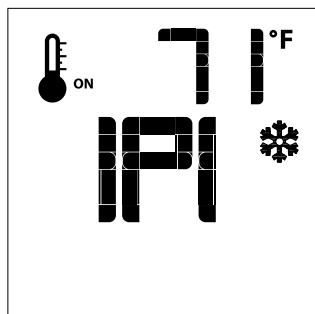


Figure 19

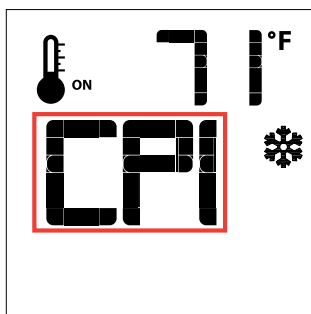


Figure 20

## CPI/IPI Switch

This appliance comes equipped with a CPI/IPI switch. The functions of both the CPI/IPI switch are as follows:

**Continuous pilot (CPI)** - A pilot that when in operation, is intended to remain continuously ignited until it is manually interrupted.

**Intermittent pilot (IPI)** - A pilot that is automatically ignited when an appliance is called on to operate and which remains continuously ignited during each period of main burner operation. The pilot is automatically extinguished when each main burner operating cycle is completed. The mode of the fireplace is easily changed from an intermittent pilot ignition system (IPI) to a continuous pilot ignition system (CPI) by using remote control as noted above.

The benefits of having as CPI are as follows:

- Keeps venting primed for trouble free start-up under colder weather conditions or inversions.
  - Keeps the unit glass warm, which decreases the amount of condensation on start-up
  - Provides owners with flexibility to choose a traditional continuous pilot.
- The primary benefit of having the IPI function is a significant savings on fuel as the pilot will only run when there is a call for heat.

**Thermostat Icon:** If the thermostat icon is not present on the remote transmitter, follow instructions noted below:

1. Remove one battery from the remote.
2. Press and hold down the Thermostat button on the remote.
3. Reinstall the battery (removed in Step 1) while still holding down thermostat button.
4. If you see "Set" the thermostat option is now enabled. If you see "Clr" the thermostat option is now disabled.
5. Repeat the procedure if the "Set" or "Clr" to remove or add the option back to the remote did not appear.

Enable all other functions if not present on the remote transmitter, follow instructions noted below:

1. Remove one battery from remote.
2. Press and hold both the **ON/OFF** and **MODE** button at the same time .
3. Reinstall battery removed in Step 1 while holding both buttons—keep holding buttons, then release the **MODE** button only.
4. The screen will show either "Clr" or "Set" as the first option available is to disable or enable a mode.

5. "**Clr**" will remove a mode—use the up or down arrow while holding down **ON/OFF** and **MODE** (mode icon will disappear once removed).
6. Use the "**MODE**" button to move to the next function.
7. "**Set**" will add a mode —use the up or down arrow while holding down **ON/OFF** and **MODE** (mode icon will appear when added).
8. Use the "**MODE**" button to move to the next function.

**Note:** You should never program out the fan (if installed) or CPI/IPI mode on the remote.

## Key Lock

This function will lock the keys to avoid unsupervised operation.

To activate this function, press the MODE and UP Keys at the same time (fig. 21).

To de-activate this function, press the MODE and UP Keys at the same time.

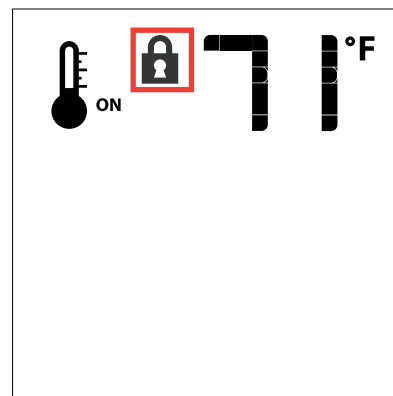


Figure 21

## Low Battery Power Detection

### Transmitter

The life span of the remote control batteries depends on various factors: quality of the batteries used, the number of ignitions of the appliance, the number of changes to the room thermostat set point, etc.

When the Transmitter batteries are low, a Battery Icon will appear on the LCD display of the Transmitter (Fig. 22) before all battery power is lost. When the batteries are replaced this Icon will disappear.

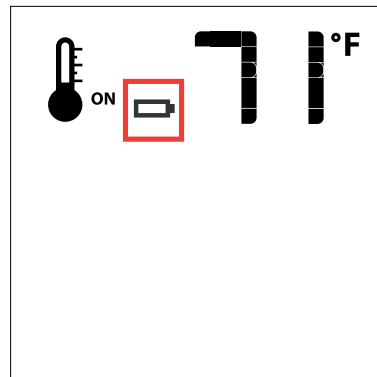


Figure 22



**Proflame II Battery Holder Battery Replacement & Battery Pack up if 120 Volt Power is lost**

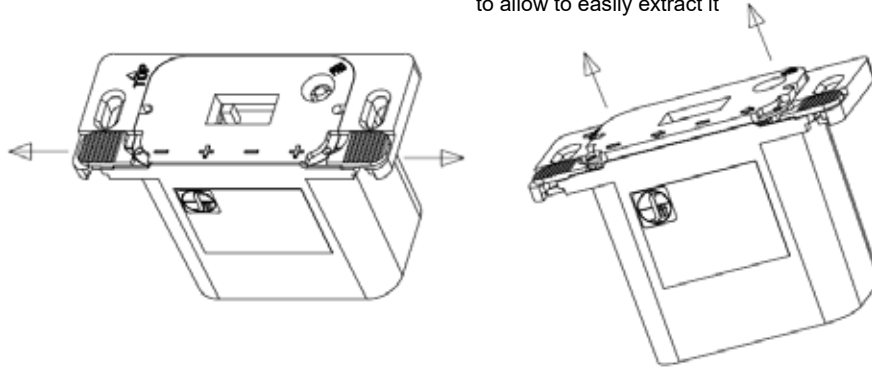
How to replace/add the batteries on battery holder (Proflame 2).

Note : If a wall switch cover plate is installed, first remove cover plate by removing 2 small phillips head screws

**STEP 1**

Move both the left/right slides as shown below.

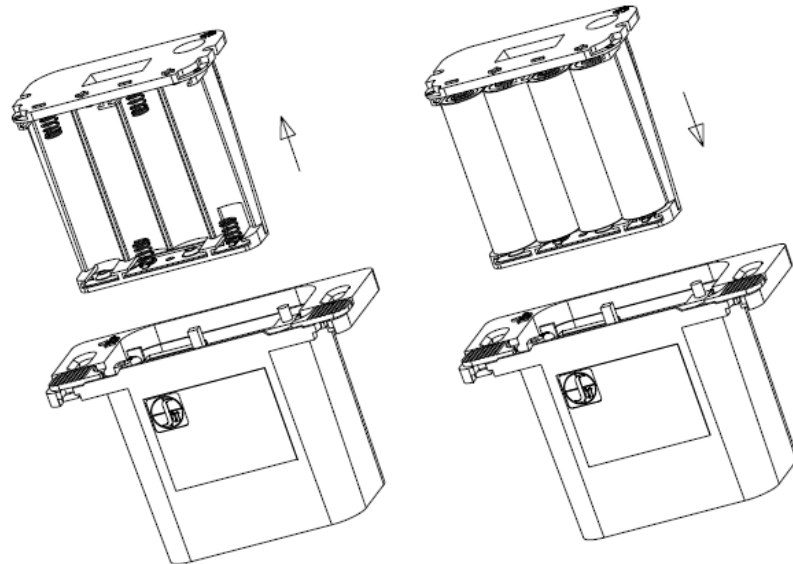
The battery compartment will be pushed out slightly, to allow to easily extract it



**STEP 2**

Extract the battery compartment from the remote receiver/battery holder

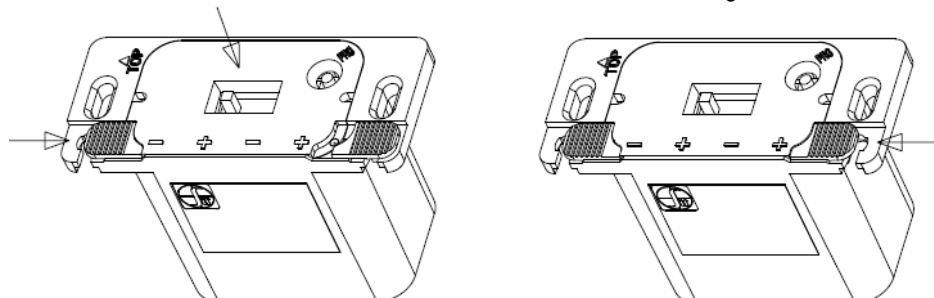
Replace 4 x AA batteries and insert the battery compartment back into remote receiver/battery holder



**STEP 3**

Keeping the battery compartment pressed in, close the left slide


Close the right slide



**STEP 4** Reinstall wall cover plate with 2 Phillips head screws.

# owner's information

## Outer Safety Glass Panel (Barrier Glass) Installation / Removal

 To watch the safety barrier glass installation video click [here](#).

**Note:** safety glass panels must be installed to operate fireplace

### WARNING: GLASS HANDLING

We recommend using the glass vacuum holders supplied by the manufacturer. Lower the glass to rest in a safe place, this is to prevent damage to the glass edges. Extra care must be taken when removing/installing the glass. Breakage or damage to the edge of the glass which occurs as a result of careless handling will not be covered under warranty.

- We recommend handling the glass with supplied vacuum clamps
  - When removing glass—prepare a soft, scratch resistant surface to place the glass
  - Never clean or remove hot glass
- Note:** The suction cups may leave a round film on the glass when used. Ensure that the glass is cleaned using a fireplace glass cleaner prior to operating the appliance.

Outer glass safety panels to be installed during the initial installation after the unit is in the final position.

**Note:** The outer safety panels come with plastic corners to protect these against damage. These should be kept in place until such time the outer safety panels are installed. Ensure these are removed prior to operating the appliance. Keep the plastic corners in a safe place if ever removing the outer panels for servicing.

1. Carefully remove glass safety panels from packaging.

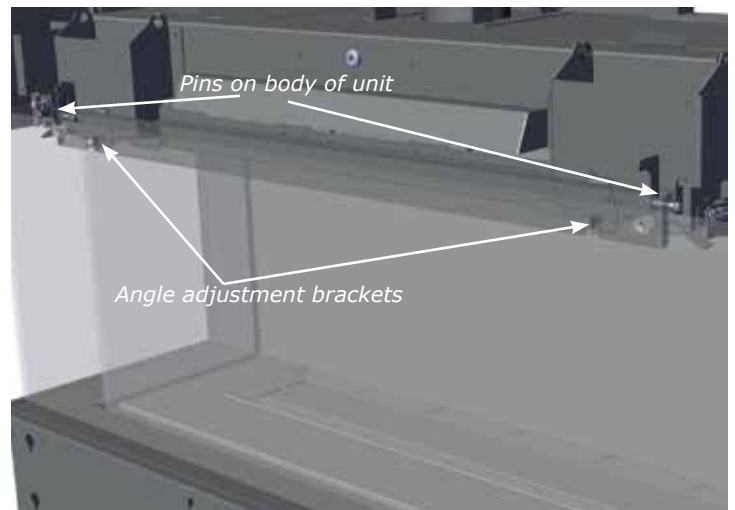
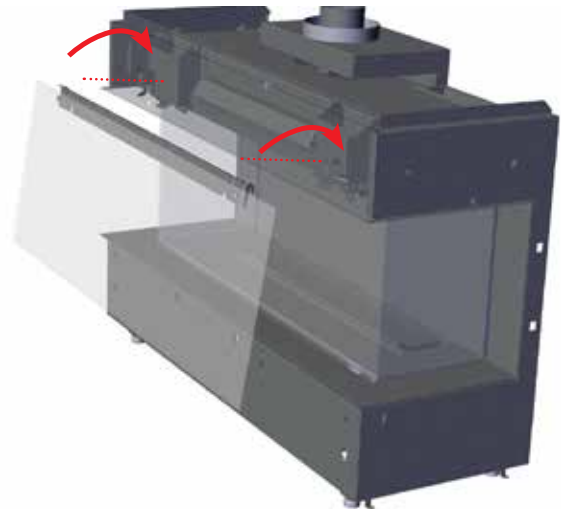
Press glass vacuum clamps (part # 948-078/pair) in open position firmly onto surface of glass. Bring handles together to close.



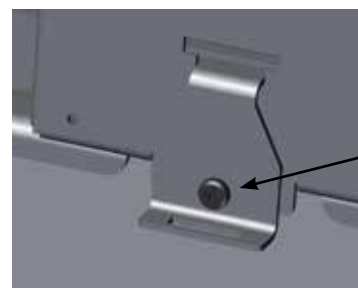
**NOTE:** Inner glass panel shown in image - depicting proper handling of glass.

2. Using the supplied vacuum clamps, lift the large front glass panel and position it front and centre by manoeuvring up and underneath the front of the unit frame.

3. Tilt the top of the glass panel inward and lift up and underneath the upper front panel of the outside frame. Hook the glass panel onto the pins and also onto the two angle adjustment brackets located on the frame in two locations as shown in the diagram below. **Note:** The front frame upper panel is shown as transparent to better illustrate the install (this area is not visible when installing glass).



**Note:** If the outer safety glass panels do not sit at 90° and angle too far inward or outward, remove the glass panel and adjust the screw of the panel angle bracket. Turn the panel angle bracket screw in 1/4 increments—reinstall panel to check.



Panel angle bracket—to adjust, turn screw:

Clockwise = bring panel in

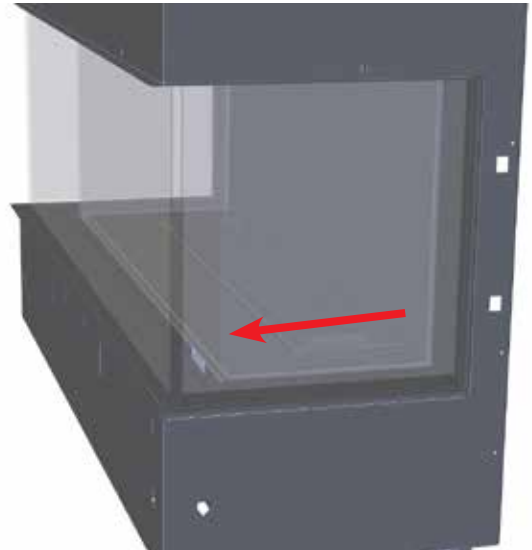
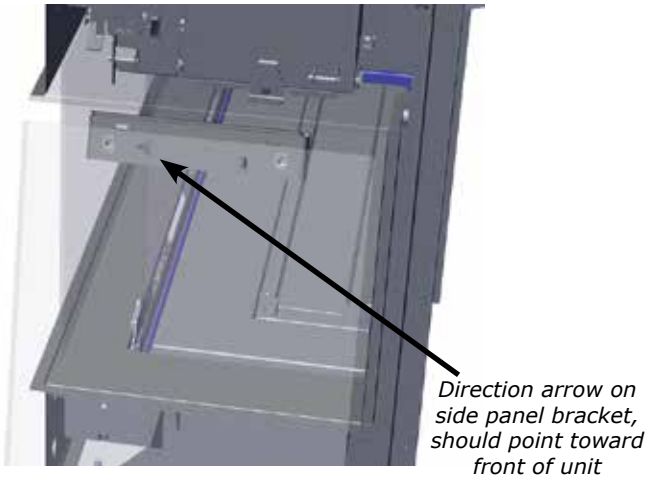
Counter clockwise = bring panel out

**Outer Safety Glass Panel (Barrier Glass) Installation / Removal**

**Note:** Safety glass panels must be installed to operate fireplace

4. With front panel installed, proceed to install the side panel(s). Identify the left and right side panels before installing. Facing the front of the unit, the right panel will show an arrow pointing to the front of the unit as shown in the diagram below.

**Note:** After the side panel has been adjusted so it is installed at 90° to the unit and not flaring in or out, check to ensure there is no gap between the front and side panel. If there is a gap as shown below, slide the side panel to adjust the position and close the gap.



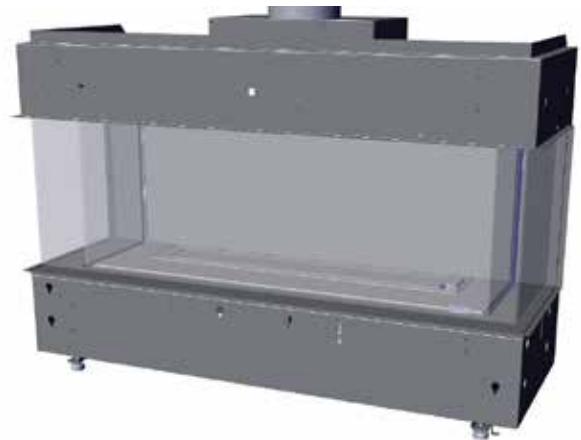
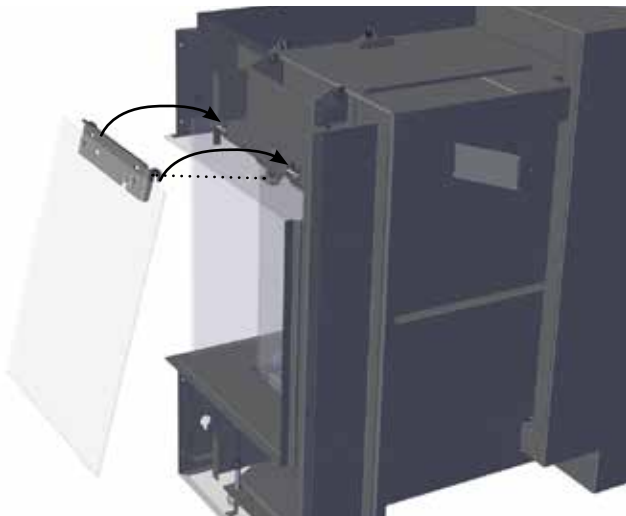
5. Lift up the side panel with the supplied glass clamps (see procedure on previous page). Tilt the side of the glass panel inward and lift up and underneath the upper side panel and hook the 2 outer hooks on to the pins, there is also a panel angle adjustment bracket for the third hook.

6. Repeat Steps 4 and 5 to install the opposite side panel.

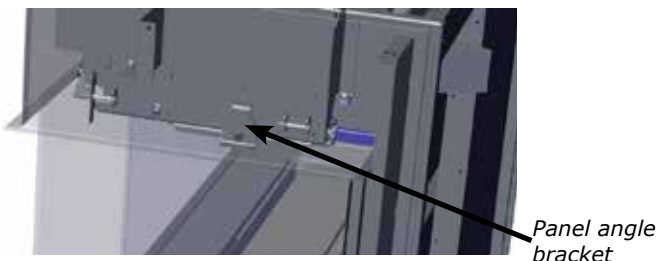
**Note:** The side frame upper panel is shown as transparent to better illustrate the install (this area is not visible when installing glass).


7. Reverse Steps to remove all panels.

**Note:** When removing panels, we recommend using the supplied glass clamps.




**Note:** If the outer safety glass side panels angle too far inward or outward, remove the side glass panel and adjust on the panel angle bracket, see details on previous page.



 Barrier glass install

# owner's information

## Inner Glass Panel (Firebox Glass) Installation / Removal

 To watch the firebox installation video click [here](#).

**Note:** glass panels must be installed to operate fireplace.

### WARNING: GLASS HANDLING

We recommend using the glass vacuum holders supplied by the manufacturer. Lower the glass to rest in a safe place, this is to prevent damage to the glass edges. Extra care must be taken when removing/installing the glass. Breakage or damage to the edge of the glass which occurs as a result of careless handling will not be covered under warranty.

- We recommend handling the glass with supplied vacuum clamps
- When removing glass—prepare a soft, scratch resistant surface to place the glass
- Never clean or remove hot glass

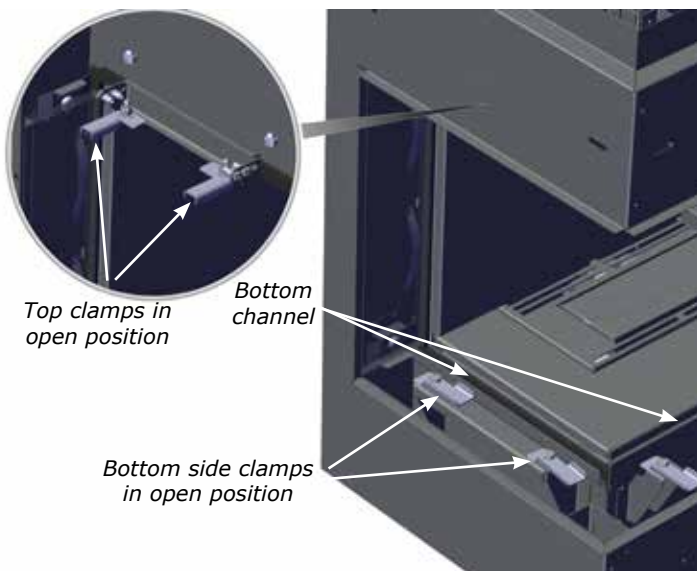
**Note:** The suction cups may leave a round film on the glass when used. Ensure that the glass is cleaned using a fireplace glass cleaner prior to operating the appliance.

### Important:

Prior to installing the inner glass, ensure that there is no media present in the bottom channel as this can cause damage to the glass. Remove any media from bottom channel prior to installing the glass.

1. Remove outer safety glass panels if previously installed—see instructions in this manual.
2. Remove outer panels installed in units - see panel removal section in this manual.
3. Ensure all 4 clamps on each side are open to allow clearance for the glass.

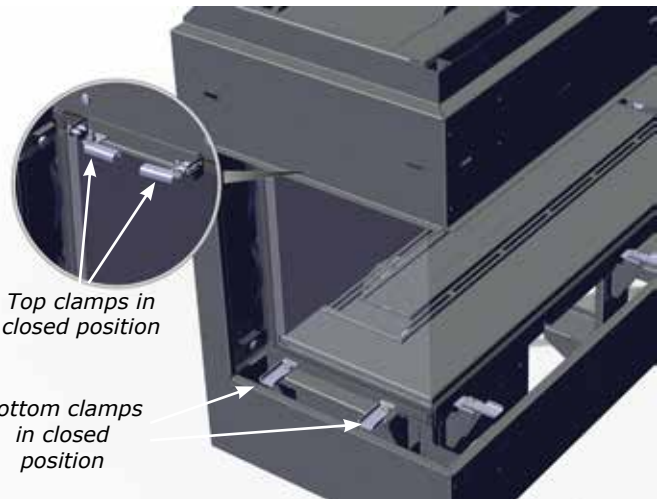
Lift up side panel using supplied vacuum clamp and tilt inward and upward positioning into a top channel and lowering gently into the lower glass channel—slide the side glass panel firmly towards the back wall until the springs at the back wall are compressed.




*Push side glass panel firmly to back wall until springs are compressed—then close clamps.*

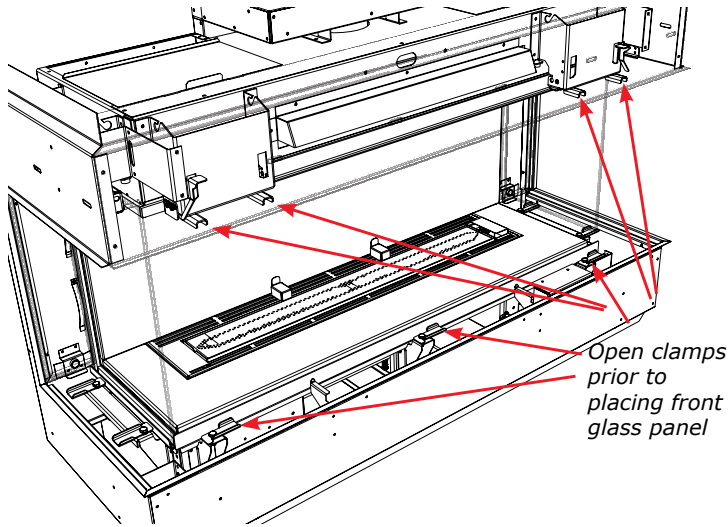


4. With the springs compressed, close the 2 clamps at the bottom and 2 clamps at the top, by turning inward, to secure the glass in position. For the 3 sided unit, repeat on the opposite side.



 Inner glass install

5. Ensure all 7 front clamps are in the open position to allow clearance for the glass.



6. Lift up the front panel using the supplied vacuum clamps and position into the lower front channel—ensure the front panel is accurately centered—with the front panel in position—secure in place by closing the 3 lower clamps and 4 upper clamps.

Press glass vacuum clamps (part # 948-078/pair) in open position firmly onto surface of glass. Bring handles together to close.



Open

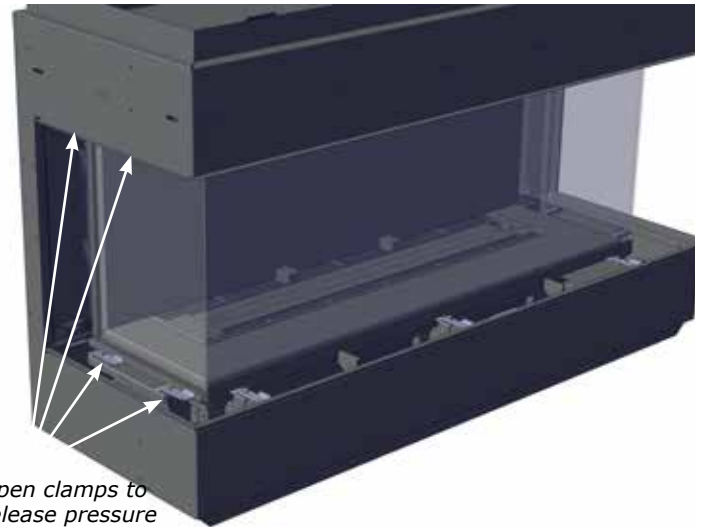


Closed



Handle front panel with supplied vacuum clamps

**Note:** Ensure that the front glass is centered and evenly spaced with side glass (3 sided unit) - open to release glass clamps to remove from surface of glass.



Open clamps to release pressure on the springs

7. Return to the side panel(s), and release the upper and lower clamps. The springs will release and push the glass side panel forward slightly—this will create a seal between the front and side panels. When the junction between the front and side glass panels is sealed, close the clamps to secure the side panel(s) in place.
8. To remove the glass panels—always remove the side panel(s) (for 3 sided units) before removing the front panel.
9. Reverse steps to remove glass.

# owner's information

## Maintenance Instructions

1. Always turn off the gas valve before cleaning. For relighting, refer to lighting instructions. Keep the burner and control compartment clean by brushing and vacuuming at least once a year. When cleaning the logs, use a soft clean paint brush as the logs are fragile and easily damaged.
2. Clean appliance and door with a damp cloth (never when unit is hot). Never use an abrasive cleaner. The glass should be cleaned with a gas fireplace glass cleaner. **The glass should be cleaned when it starts looking cloudy.**
3. The fireplace is finished in a heat resistant paint and should only be refinished with heat resistant paint. Regency® uses StoveBright Paint - Metallic Black #6309.
4. Make a periodic check of burner for proper position and condition. Visually check the flame of the burner periodically, making sure the flames are steady; not lifting or floating. If there is a problem, call a qualified service person.
5. The appliance and venting system must be inspected before use, and at least annually, by a qualified field service person, to ensure that the flow of combustion and ventilation air is not obstructed.

**Note: Never operate the appliance without the glass properly secured in place.**

6. Do not use this appliance if any part has been under water. Immediately call a qualified service technician to inspect the appliance and to replace any part of the control system and any gas control which has been under water.
7. In the event this appliance has been serviced check that the vent-air system has been properly resealed & reinstalled in accordance with the manufacturer's instructions.
8. Verify operation after servicing.

## General Vent Maintenance

Conduct an inspection of the venting system semi-annually. Recommended areas to inspect as follows:

1. Check the Venting System for corrosion in areas that are exposed to the elements. These will appear as rust spots or streaks, and in extreme cases, holes. These components should be replaced immediately.
2. Remove the Cap, and shine a flashlight down the Vent. Remove any bird nests, or other foreign material.

3. Check for evidences of excessive condensation, such as water droplets forming in the inner liner, and subsequently dripping out the joints. Continuous condensation can cause corrosion of caps, pipe, and fittings. It may be caused by having excessive lateral runs, too many elbows, and exterior portions of the system being exposed to cold weather.

4. Inspect joints, to verify that no pipe sections or fittings have been disturbed, and consequently loosened. Also check mechanical supports such as Wall Straps, or plumbers' tape for rigidity.

## Log Replacement

The unit should never be used with broken logs. Turn off the gas valve and allow the unit to cool before opening door and carefully remove the logs. (The pilot light generates enough heat to burn someone.) If for any reason a log should need replacement, you must use the proper replacement log. The position of these logs must be as shown in the diagrams under Log Installation.

**Note: Improper positioning of logs may create carbon build-up and will severely alter the unit's performance which is not covered under warranty.**

## Glass Gasket

If the glass gasket requires replacement use a tadpole glass gasket (Part # 846-696).

## Glass

Your Regency® fireplace is supplied with high temperature 5mm-Tempered outer glass & 5mm-Ceramic inner glass. If your glass requires cleaning, we recommend using an approved glass cleaner available at all authorized dealers. Do not use abrasive materials.

## CAUTION & WARNINGS:

- \* Do not clean when the glass is hot.
- \* The use of substitute glass will void all product warranties.
- \* Care must be taken to avoid breakage of the glass.
- \* Do not strike or abuse the glass.
- \* Do not operate this fireplace without the glass front or with a cracked or broken glass front.
- \* Wear gloves when removing damaged or broken glass.
- \* Replacement of the glass panels should be done by a licensed or qualified service person.

## Glass Replacement

In the event that you break your glass by impact, purchase your replacement from an authorized Regency dealer only. Replacement glass is shipped already installed into the door frame. Reinstall as per Glass Installation in the "Glass Installation" section.

## REPLACEMENT GLASS:

### CB40E

Outer Safety Glass Front - Tempered (Part# 940-438/P)  
Outer Safety Glass Right Side- Tempered (Part# 940-439/P)  
Outer Safety Glass Left Side- Tempered (Part# 940-440/P)

Inner Glass Front - Ceramic (Part# 940-436/P)  
Inner Glass Side - Ceramic (Part# 940-437/P)

**MA Code - CO Detector**  
**(for the State of Massachusetts only)**

5.08: Modifications to NFPA-54, Chapter 10

(2) Revise 10.8.3 by adding the following additional requirements:

(a) For all side wall horizontally vented gas fueled equipment installed in every dwelling, building or structure used in whole or in part for residential purposes, including those owned or operated by the Commonwealth and where the side wall exhaust vent termination is less than seven (7) feet above finished grade in the area of the venting, including but not limited to decks and porches, the following requirements shall be satisfied:

1. **INSTALLATION OF CARBON MONOXIDE DETECTORS.** At the time of installation of the side wall horizontal vented gas fueled equipment, the installing plumber or gasfitter shall observe that a hard wired carbon monoxide detector with an alarm and battery back-up is installed on the floor level where the gas equipment is to be installed. In addition, the installing plumber or gasfitter shall observe that a battery operated or hard wired carbon monoxide detector with an alarm is installed on each additional level of the dwelling, building or structure served by the side wall horizontal vented gas fueled equipment. It shall be the responsibility of the property owner to secure the services of qualified licensed professionals for the installation of hard wired carbon monoxide detectors

a. In the event that the side wall horizontally vented gas fueled equipment is installed in a crawl space or an attic, the hard wired carbon monoxide detector with alarm and battery back-up may be installed on the next adjacent floor level.

b. In the event that the requirements of this subdivision can not be met at the time of completion of installation, the owner shall have a period of thirty (30) days to comply with the above requirements; provided, however, that during said thirty (30) day period, a battery operated carbon monoxide detector with an alarm shall be installed.

2. **APPROVED CARBON MONOXIDE DETECTORS.** Each carbon monoxide detector as required in accordance with the above provisions shall comply with NFPA 720 and be ANSI/UL 2034 listed and IAS certified.

3. **SIGNAGE.** A metal or plastic identification plate shall be permanently mounted to the exterior of the building at a minimum height of eight (8) feet above grade directly in line with the exhaust vent terminal for the horizontally vented gas fueled heating appliance or equipment. The sign shall read, in print size no less than one-half (1/2) inch in size, "**GAS VENT DIRECTLY BELOW. KEEP CLEAR OF ALL OBSTRUCTIONS**".

4. **INSPECTION.** The state or local gas inspector of the side wall horizontally vented gas fueled equipment shall not approve the installation unless, upon inspection, the inspector observes carbon monoxide detectors and signage installed in accordance with the provisions of 248 CMR 5.08(2)(a)1 through 4.

(b) **EXEMPTIONS:** The following equipment is exempt from 248 CMR 5.08(2)(a)1 through 4:

1. The equipment listed in Chapter 10 entitled "Equipment Not Required To Be Vented" in the most current edition of NFPA 54 as adopted by the Board; and

2. Product Approved side wall horizontally vented gas fueled equipment installed in a room or structure separate from the dwelling, building or structure used in whole or in part for residential purposes.

(c) **MANUFACTURER REQUIREMENTS - GAS EQUIPMENT VENTING SYSTEM PROVIDED.** When the manufacturer of Product Approved side wall horizontally vented gas equipment provides a venting system design or venting system components with the equipment, the instructions provided by the manufacturer for installation of the equipment and the venting system shall include:

1. Detailed instructions for the installation of the venting system design or the venting system components; and

2. A complete parts list for the venting system design or venting system.

(d) **MANUFACTURER REQUIREMENTS - GAS EQUIPMENT VENTING SYSTEM NOT PROVIDED.** When the manufacturer of a Product Approved side wall horizontally vented gas fueled equipment does not provide the parts for venting the flue gases, but identifies "special venting systems", the following requirements shall be satisfied by the manufacturer:

1. The referenced "special venting system" instructions shall be included with the appliance or equipment installation instructions; and

2. The "special venting systems" shall be Product Approved by the Board, and the instructions for that system shall include a parts list and detailed installation instructions.

(e) A copy of all installation instructions for all Product Approved side wall horizontally vented gas fueled equipment, all venting instructions, all parts lists for venting instructions, and/or all venting design instructions shall remain with the appliance or equipment at the completion of the installation.

# installer's information

## General Safety Information

1. The appliance installation must conform with local codes or, in the absence of local codes, with the current Canadian or National Gas Codes, CSA B149.1 or ANSI Z223.1 Installation Codes.
2. See general construction and assembly instructions. The appliance and vent should be enclosed.
3. This appliance must be connected to the specified vent and termination cap to the outside of the building envelope. Never vent to another room or inside a building. Make sure that the vent is fitted as per Venting instructions.
4. Inspect the venting system annually for blockage and any signs of deterioration.
5. Venting terminals shall not be recessed into a wall or siding.
6. Any safety glass removed for servicing must be replaced prior to operating the appliance.
7. To prevent injury, do not allow anyone who is unfamiliar with the operation to use the fireplace.
8. Wear gloves and safety glasses for protection while doing required maintenance.
9. Be aware of electrical wiring locations in walls and ceilings when cutting holes for termination.
10. Under no circumstances should this appliance be modified. Parts that have to be removed for servicing should be replaced prior to operating this appliance.
11. Installation and any repairs to this appliance should be done by a qualified service person. A professional service person should be called to inspect this appliance annually. Make it a practice to have all of your gas appliances checked annually.
12. Do not slam shut or strike the glass door.
13. Under no circumstances should any solid fuels (wood, paper, cardboard, coal, etc.) be used in this appliance.
14. The appliance area must be kept clear and free of combustible materials, (gases and other flammable vapours and liquids).

## Installation Checklist

1. Locate appliance. Refer to the following sections:
  - a) Locating Your Fireplace
  - b) Clearances
  - c) Combustible Mantel Clearances
  - d) Framing & Finishing
  - e) Venting. See the "Venting Introduction" to "Venting Arrangements" sections.
2. Assemble Standoffs. Refer to the "Unit Assembly Prior to Installation" section. (NOTE: must be done before installing unit into fireplace.)
3. Install vent. See the "Horizontal Installations" to "Installation Procedures" sections.
4. Install 4 AA batteries into receiver battery box. Hook receiver to wiring marked receiver, this will enable operation of the appliance manually when position in "ON" position.

**Note:** The wire harness (marked receiver) is located near the gas valve and will need to be routed to the exterior of the fireplace from either the left or right hand side of the appliance prior finishing.
5. Bring 120 volt power to appliance. Required to operate lights and highly recommended to operate gas valve. AA Batteries serve as back up only if 120 volt power is lost.
6. Make gas connections. Test the pilot. Must be as per diagram. Refer to the "Gas Line Installation" & "Pilot Adjustment" sections.
7. Install standard and optional features. Refer to the following sections where applicable:
  - a. Safety Glass
  - b. Firebox (inner) glass
  - c. Log Set
  - d. Fireglass
  - e. Ceramic stones or other approved media
  - f. Painted, enamel or glass panels (panels required)
  - g. Optional Framing Kit
  - h. Heatwave Kit
8. Plug 3 prong plug for the lights into the receptacle. The 3 prong plug will be located near the gas valve on the appliance.
9. Final check.

Before leaving this unit with the customer, the installer must ensure that the appliance is firing correctly and operation fully explained to customer.

This includes:

1. Locking the appliance to ensure the correct firing rate (rate noted on label 28,500 Btu/h NG/LP) after burning appliance for 15 minutes.
2. If required, adjusting the primary air to ensure that the flame does not carbon. First allow the unit to burn for 15-20 min. to stabilize.

**CAUTION: Any alteration to the product that causes sooting or carboning that results in damage is not the responsibility of the manufacturer.**



## HeatWave Duct System Optional Kit

The **HeatWave** Air Duct Kit increases the effectiveness of your fireplace by dispersing warm air from the fireplace to remote locations in the same room or other rooms in your home.

Up to two kits may be installed on the fireplace.

**Please Note:** One adaptor kit #656-995 must be used with each 946-556.

The **HeatWave** Duct Kit has different clearance and framing requirements, check the **HeatWave** manual for details.

**Note:** If using the optional heat wave kit, this does not reduce the size of the ventilation opening. The ventilation opening must be a minimum 120 square inches regardless.



## Ventilation Openings

Regency's patented Cool Wall system releases warmth at ceiling level. This system reduces excessive radiant heat in front of the fireplace so you can enjoy your fireplace more often.

- Design your own chase vent solution to suit your home
- Use optional front or left & right side chase vent grills
- Release warmth into the room discreetly

### Ventilation Opening Locations

The following are examples of how the ventilation openings may be placed above the fireplace.

The air travelling through the heat exchanger is heated by the fireplace and then directed out the back of the fireplace. The combined warmed air is then vented back into the room.

If using the optional heat wave kit, this does not reduce the size of the ventilation opening. The ventilation opening(s) must be a minimum 120 square inches regardless.



#### Front Exit

The ventilation opening may be placed in front ensuring it meets the 120 square inch opening & is located 0-3" (76mm) from the enclosure ceiling.



#### Side Exit (Left/Right)

Ventilation openings, when placed on both sides, must be of the same size. They must have an equal split (50/50) free air opening to balance air flow. A ventilation opening may never be on one side only.

The ventilation openings cannot be any smaller than 6" (152mm) wide to equal the total area of 120 square inches of free open area.

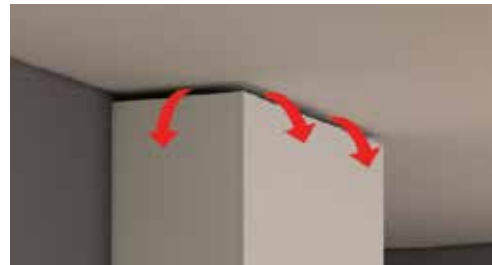
Example: 6" (152mm) wide x 10" (254 mm) High = 60 square inches per side of free open area. A second ventilation grill is installed on the other side to =100%.

The ventilation openings must be located 0-3" from the enclosure ceiling.



#### Top Exit

The ventilation opening may be short of the ceiling as shown below. Minimum opening height must be 1-1/2" (38 mm) measured from top of enclosure to the ceiling and must be in open in front and both sides to meet the minimum 120 square inches free open air requirement.



The ventilation opening may be fully open at the top of the enclosure. This type of ventilation opening would be used when the top of the enclosure is not visible from above and where the ceiling within the room is higher than normal. When creating this type of ventilation opening, measures should be in place to avoid having objects of any type falling or be thrown into the ventilation opening. Mesh screen or other preventative measures should be put in place.



The ventilation opening may be placed on top ensuring it meets the 120 square inch opening. This type of ventilation opening would be used when the top of the enclosure is visible from above and where the ceiling within the room is higher than normal.



# installer's information

## Chase Enclosure

When choosing to install the ventilation openings from the front or both sides, The top of the ventilation opening cannot be any lower than 0-3" from the top of the chase enclosure for all installations.

Minimum height of enclosure from base of appliance is 63".

A minimum 120in<sup>2</sup> opening in the enclosure is required to maintain safe operating temperatures. This can be achieved in a number of ways including the examples shown in this manual.

**IMPORTANT: Exterior wall/Alcove enclosure:** When installing into an exterior cavity or alcove enclosure (ceiling, back and sides), regardless of where appliance is placed within the home, requires the use of either drywall or other means such as plywood, wood studs, etc. to prevent heat from escaping anywhere above/through the enclosure other than the required grill/ventilation openings.

**Internal chase:** When installing as an internal chase framing installation, regardless of where appliance is placed within the home, requires the use of either drywall or other means such as plywood, on the rear wall of the chase to eliminate heat escaping into the rear wall cavity. If the chase is extended to the ceiling, the ceiling will also need to be finished in a manner to prevent heat escaping into floor joist/attic space.

One of the following methods must be used to prevent the heat from escaping:

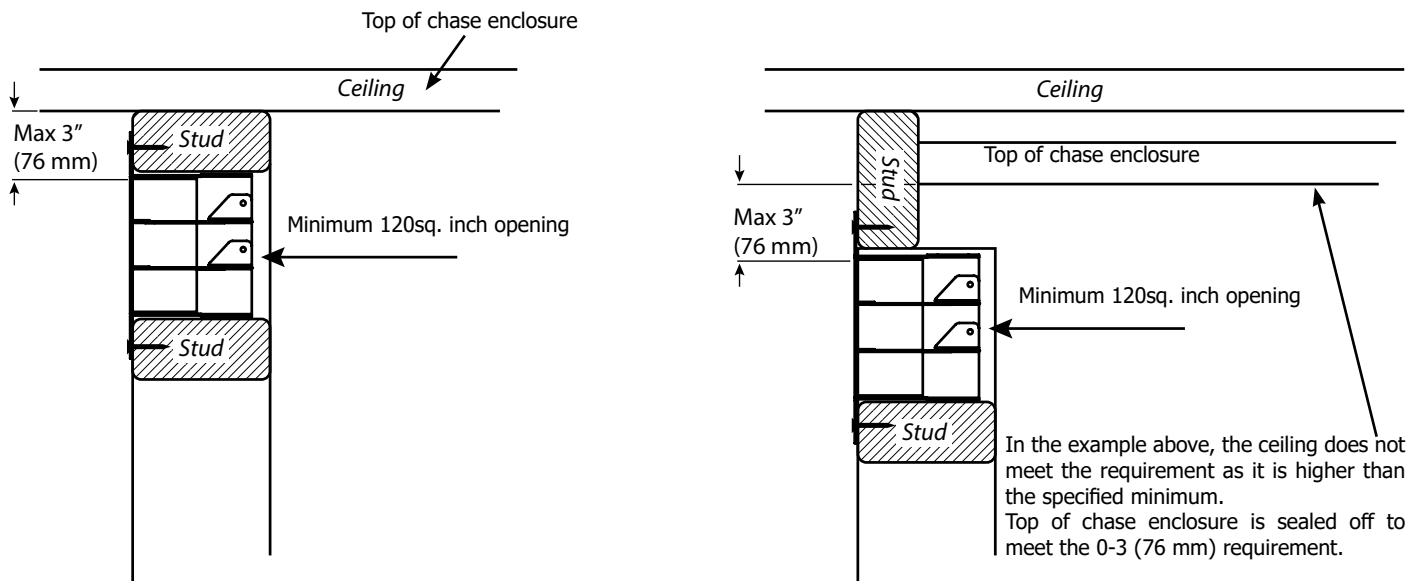
a. If choosing drywall, ensure that the drywall is butt up tight with no gaps.

b. Plywood, wood studs, etc. installed tightly with no gaps.

As this appliance has been designed with all hot air escaping through the chase enclosure ventilation / grill openings only, if hot air is trapped as a result of the hot air escaping through joints, crevasses, open studs, or other openings within the enclosure above, this will change the clearances within the enclosure causing the enclosure to overheat. It is vital that all the hot air from within the enclosure exits through the ventilation openings only.

Ensure that the ventilation openings are made as such to prevent debris, objects from falling into the enclosure.

Warning: DO NOT cover or place objects in front of the ventilation opening air outlet(s).



## Locating Your Gas Fireplace

1. When selecting a location for your fireplace, ensure that the clearances are met.
2. The appliance must be installed on a flat, solid, continuous surface. For example a wood, metal or concrete floor or in a raised (on the wall) application. The appliance must be installed on a metal or wood panel extending the full width and depth of the appliance.
3. The CB40E Direct Vent Gas Fireplace can be installed framed out into the room as in D and E. See Diagram 1.

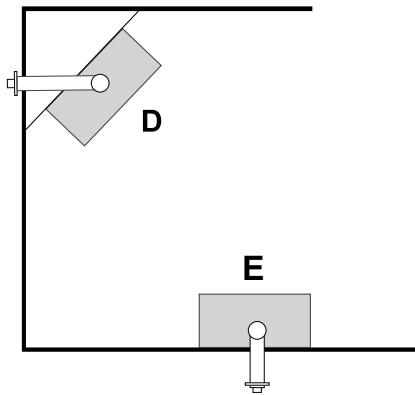


Diagram 1

- D) 3 sided-CB40E (corner install)
- E) 3 sided-CB40E

4. For bedroom installations, check with local codes before installation. This appliance is offered with a remote control.
5. The CB40E Direct Vent Gas Fireplace is approved for alcove installations, see "Clearances" section for details.
6. We recommend that you plan your installation on paper using exact measurements for clearances and floor protection before actually installing this appliance. Have an authorized inspector, dealer, or installer review your plans before installation.

**Note:** For vent terminations refer to "Exterior Vent Termination Locations" section.

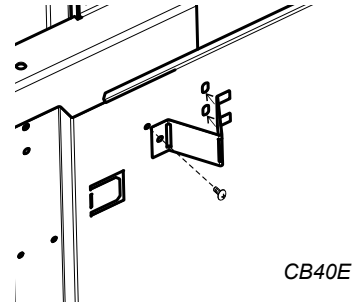
## Unit Assembly Prior to Installation

### Before you start

The CB40E has only 2 standoffs at the back that need assembly before installation.  
**WARNING!** Risk of Fire! Comply with all minimum clearances.

### Back Standoff Assembly CB40E

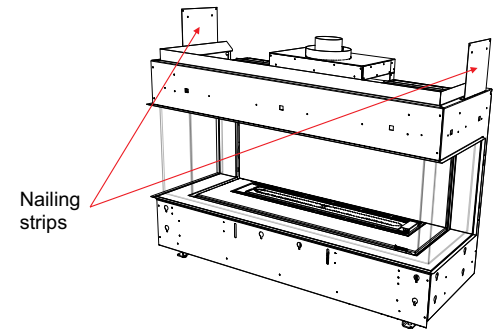
Take each standoff off the unit by removing one screw. Bend into the correct shape (see above). Slot the 2 tabs of the stand off into the slots in the unit and attach the other end with one screw.



### Nailing Strips CB40E

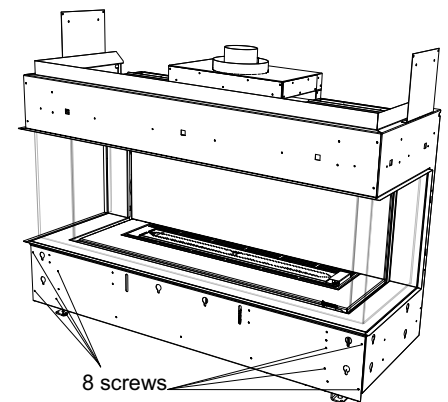
Nailing strips are shipped with the appliance and will need to be attached. Note that the nailing strips are not required if using the optional chase or extended framing kit and may be recycled.

1. Secure nailing strip to appliance with 2 screws per side.
2. Secure nailing strips to framing using wood or metal screws.



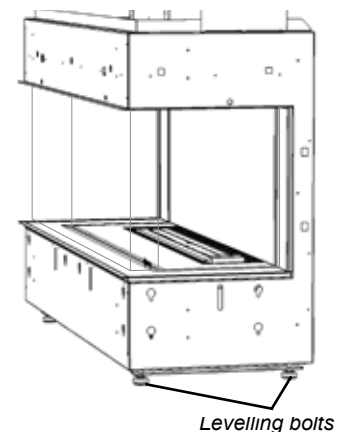
### Access Panel Removal

The front access panel may be removed for ease of hooking up gas and electrical. Once complete ensure that the access panel is reinstalled prior to any finishing.  
 The CB40E has 8 screws to remove access cover. See locations in diagrams to the right.



### Levelling Bolts

There are four levelling bolts - two on each side that can be adjusted if required. These can be adjusted using the open end wrench provided with the manual package.



# installation

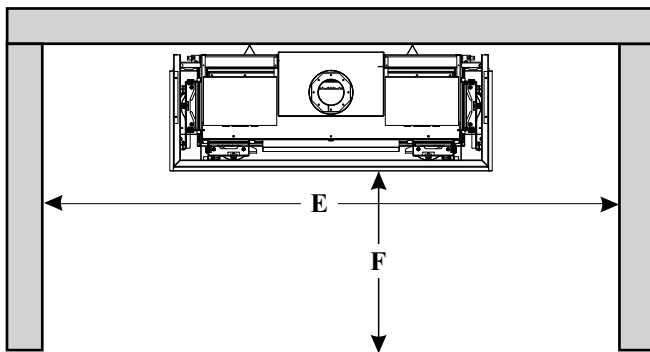
## Clearances

Clearance: 3 sided	Dimension	Measured From:
A: From Floor	Min. 0"	Bottom of Fireplace Opening
A1 : Mantel Height (min.)	**	Top of Fireplace Opening
B: Sidewall (on one side)	8-1/2" (216mm)	Side of Fireplace Opening
C: Enclosure Width (min.)	48-7/16" (1230mm)	Minimum inside dimensions
D: Mantel Depth (max.)	**	
E: Alcove Width	84" (2134mm)	Side wall to side wall (min.)
F: Alcove Depth	36" (914mm)	Front of Unit
G: To Enclosure Ceiling (min/max)	0-3" (0-76mm)	From top of enclosure
H: Convection Air outlet	120 sq. inches (min)	* Top/front or side of enclosure
I: Enclosure Depth (min.)	19" (483mm)	Minimum inside dimensions
J: Opening Height	15-1/16" (383mm)	Bottom/Top of Fireplace Opening
K: To Ceiling (min) All 3 sides	1-1/2" (38mm)	To Top of Ceiling
L: Chase Enclosure (min.)	63" (1600mm)	From base of unit/floor
M: Clearance to sprinkler head (Min.)	36" (914mm)	Perpendicular from chase grill
Hearth	0"	No hearth required

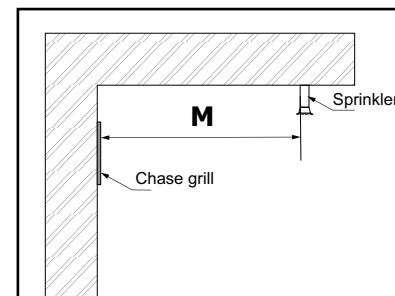
\*\* See mantel clearances chart in this manual

Flue Clearances to Combustibles	
Horizontal - Top	3" (76mm)
Horizontal - Side	2" (51mm)
Horizontal - Bottom	2" (51mm)
Vertical	2" (51mm)
Passing through wall/floor/ceiling - when freestop is used.	1-1/2" (38mm)

\* A minimum of 120 square inches of open area, not lower than 3" (76 mm) from top of enclosure, required for all installations — this can be achieved by having an open area in front, each side, and/or above as shown in the four diagrams on the next page.



Alcove



Side view

The **HeatWave** Duct Kit has different clearance and framing requirements, check the **HeatWave** manual for details.

**Caution Requirements**

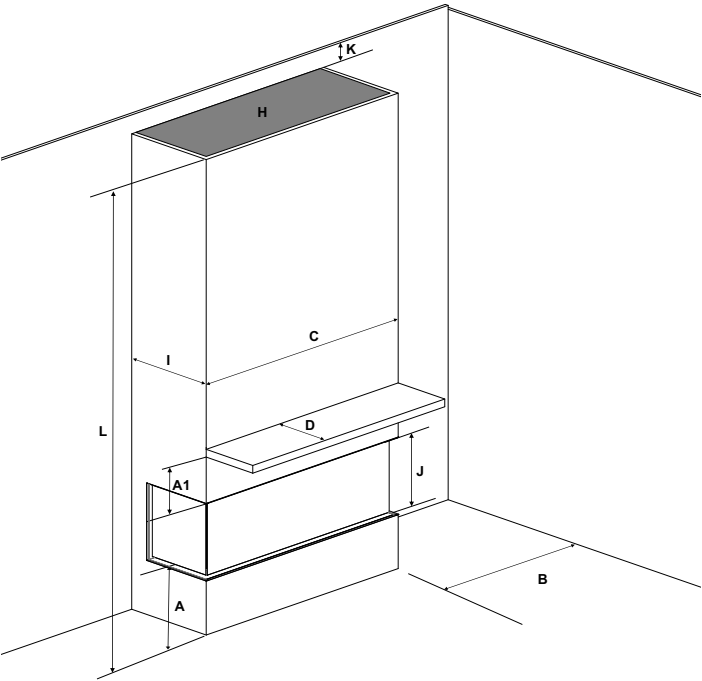
The top, back and sides of the fireplace are defined by standoffs. The metal ends of the standoff may **NOT** be recessed into combustible construction.

**WARNING**

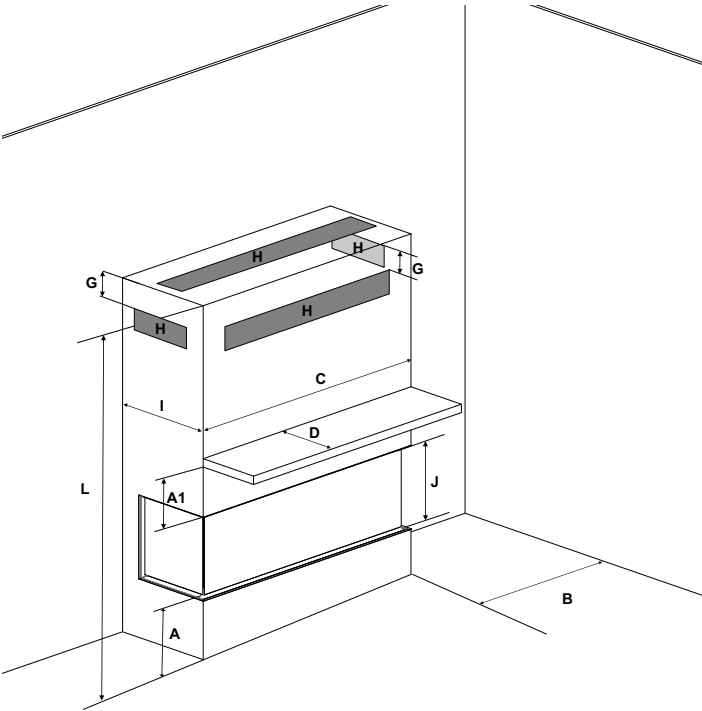
**Fire hazard is an extreme risk**

if these clearances (air space) to combustible materials are not adhered to. It is of greatest importance that this fireplace and vent system be installed only in accordance with these instructions.

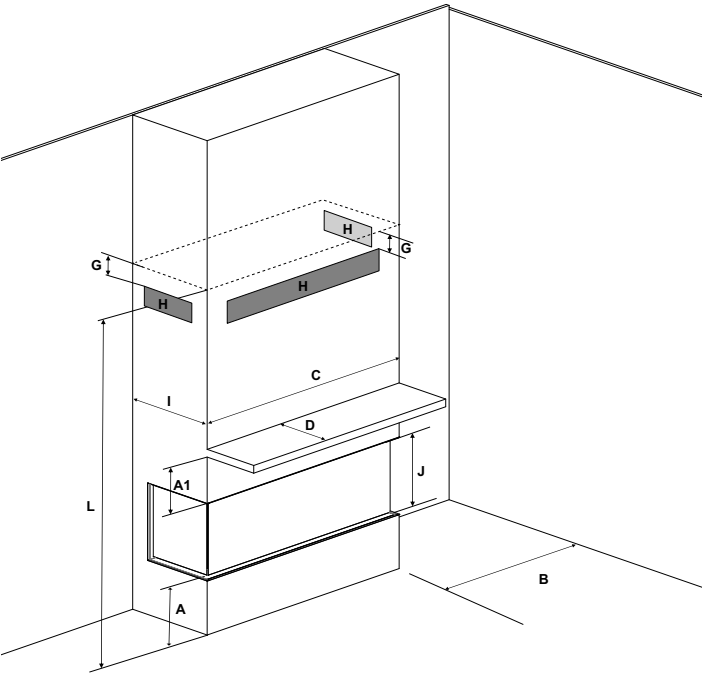
Clearances



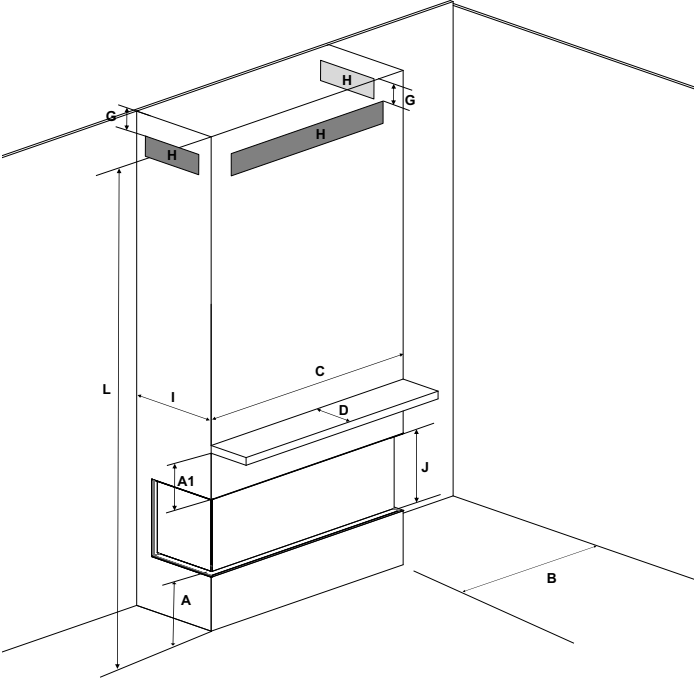
Floor to ceiling with top opening



Low framing with vents in front/2 sides or top



Full framing with low vents in front or 2 sides



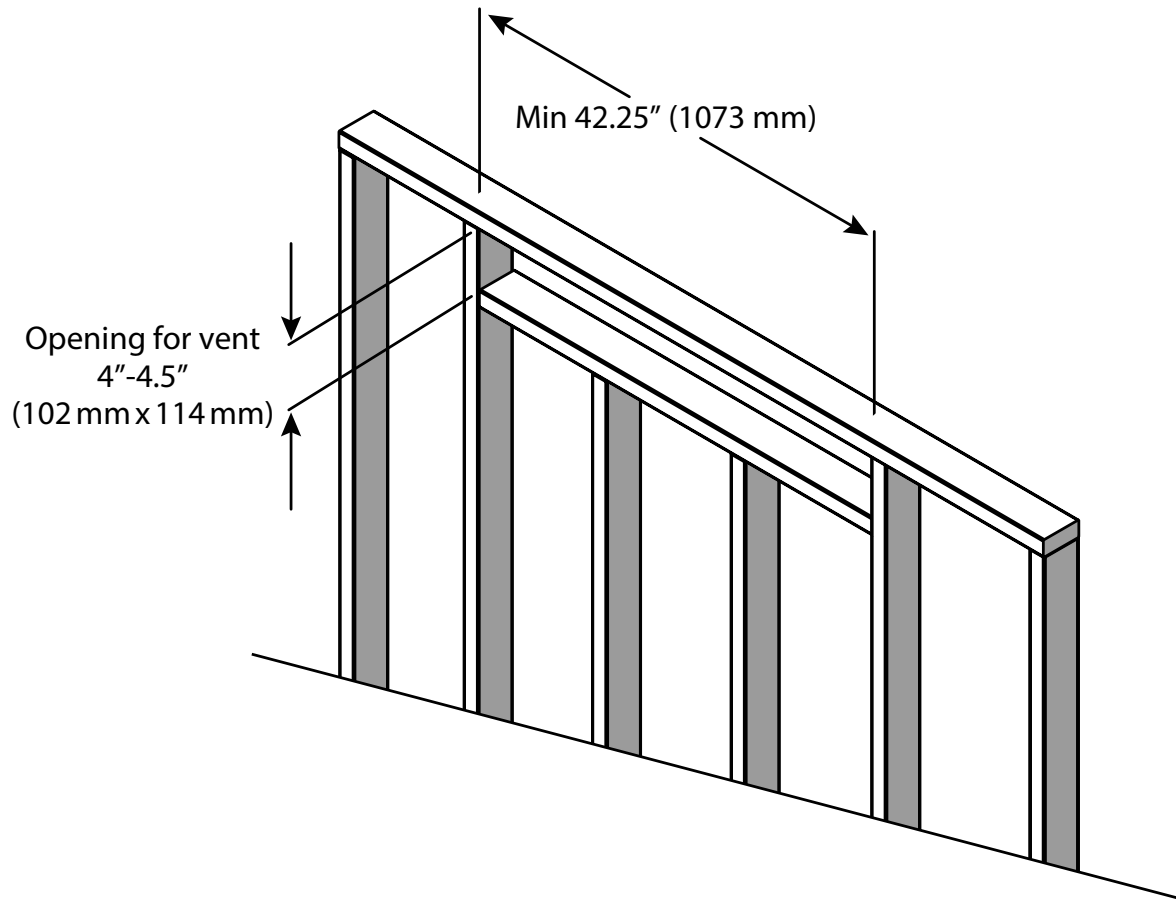
Full framing with vents in front or 2 sides

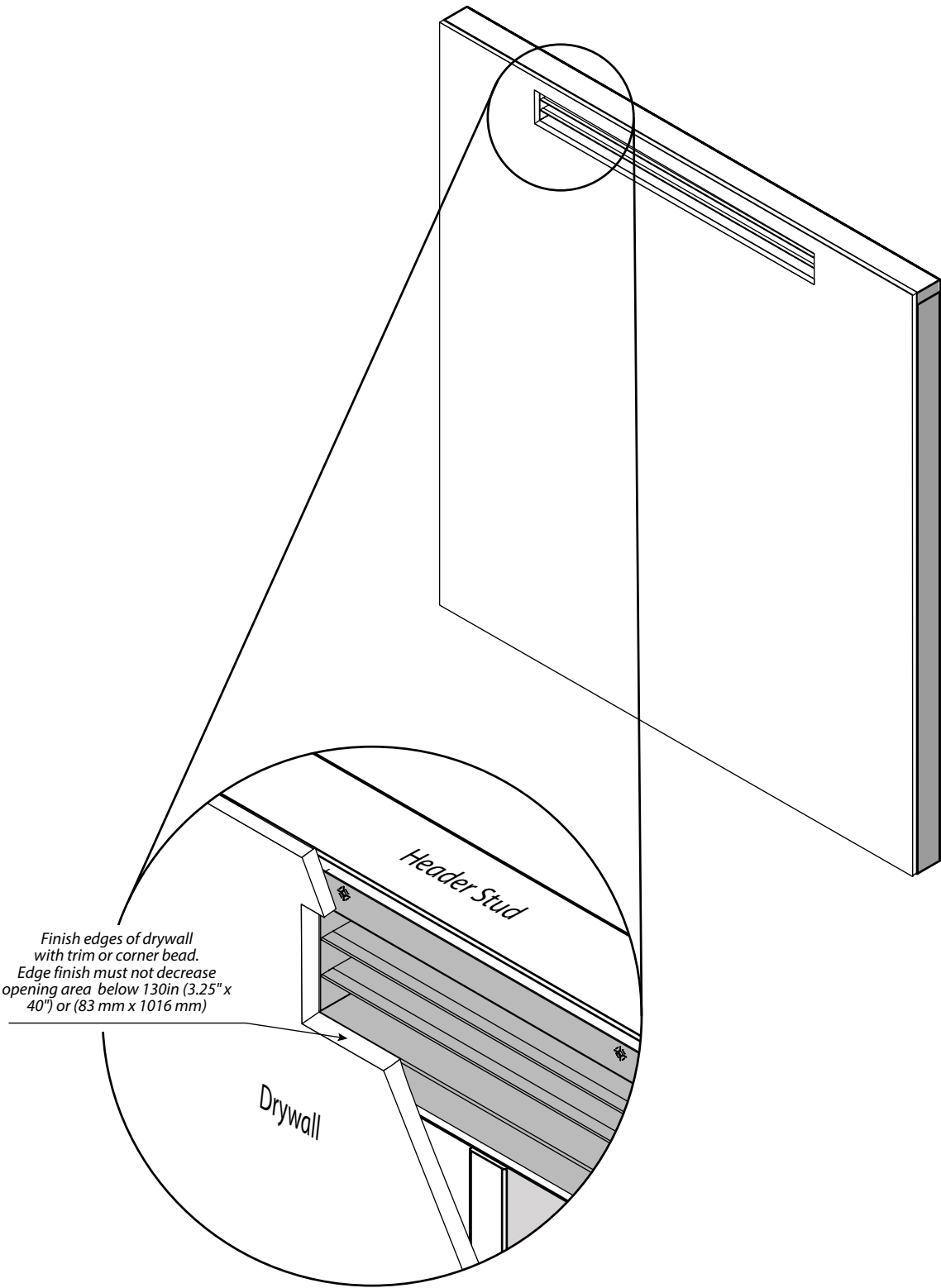
**Note:** The ventilation opening may only be placed above, on both sides and in front as shown above. Ventilation grills can never be placed behind the appliance.

# installation

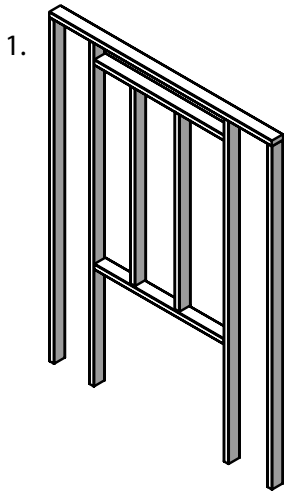
## Optional Flush Chase Vent Installation - Part #657-991 (White)

Framed opening must be between 4" (102 mm) and 4.5" (114 mm) tall, and at least 42.25" (1073 mm) wide to accommodate the chase vent. The top of the chase vent opening must be 3" or less from the top of the chase enclosure.

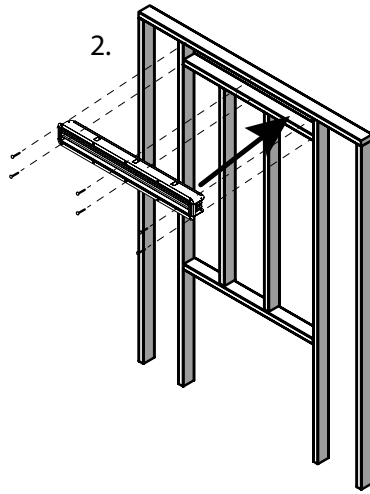




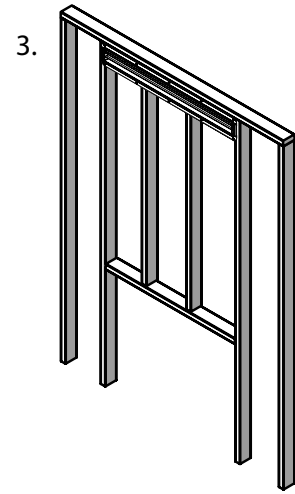
# installation



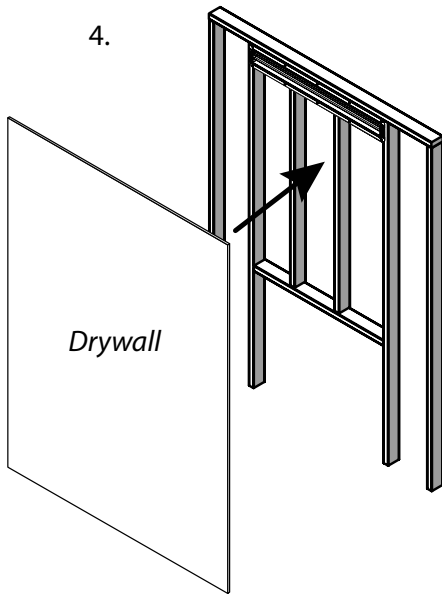
Frame opening for vent  
*(See Vent Framing Clearances Page)*



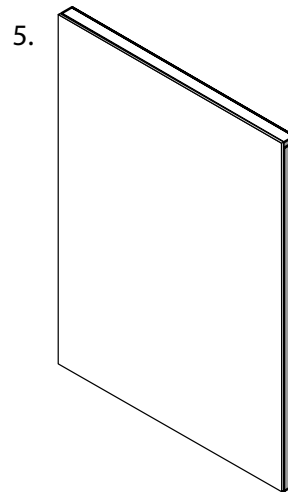
Screw Chase vent to Framing



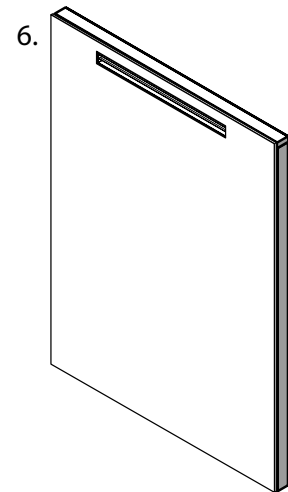
Use at least 3 sets of screws  
to keep the vent flat against framing



Frame wall with finishing material



If necessary, mark where the  
chase vent is located before  
fixing drywall in place



Cut hole in finishing material  
around inside of chase vent.  
Finish edges around opening



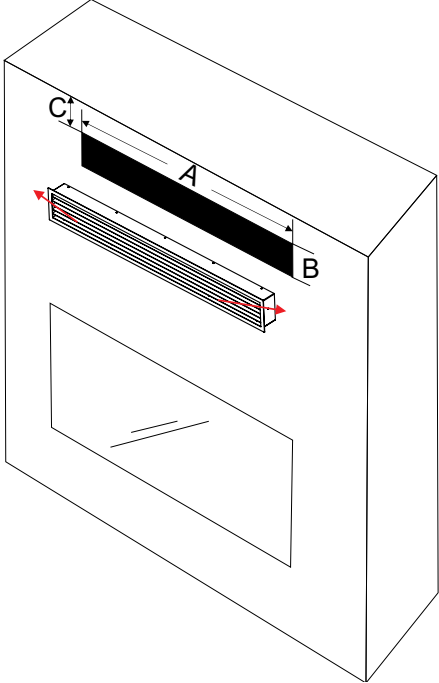
**Optional Front Grill Installation - Part # 656-991 (Black)**

This optional grill meets the requirement of the 120 square inches required for the enclosure in all installations and is designed to keep the enclosure cool. In this application, both the flange and screws to secure the grills are exposed as this grill is designed to be installed after the finished facing has been placed on the wall.

To install the front grill - frame an opening of 4-3/8" H x 39-1/8" W (111mm H x 994mm W).

The finished facing material should be attached and be the same size as the framed opening to eliminate gaps.

Install the grill and secure in place with one screw on either side, installed from the front.



	<b>DIMENSIONS</b>
A	39-1/8" (994mm)
B	4-3/8" (111mm)
C	Maximum 3" (76mm) from top of enclosure.

*Secure with screws from the front through the sides.*

# installation

## Optional Side Grill Installation - Part # 656-992 (Set of 2/Black)

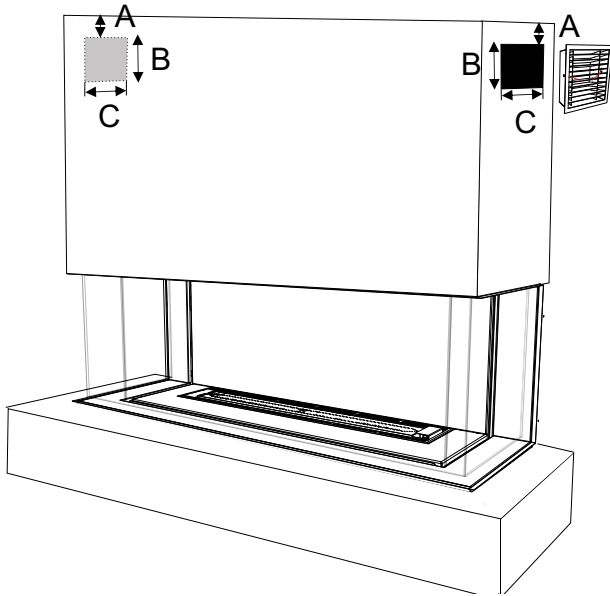
These optional grills meet the requirement of the 120 square inches required for the enclosure in all installations and are designed to keep the enclosure cool. In this application, both the flange and screws to secure the grills are exposed as this grill is designed to be installed after the finished facing has been placed on the wall.

To install the side grills - frame an opening of 8-5/16" H x 8-5/16" W (211mm H x 211mm W).

The finished facing material should be attached and be the same size as the framed opening to eliminate gaps.

Install the grill and secure in place with one screw on either side, installed from the front through the louvers.

Repeat steps to install the second grill to the other side of the chase.



DIMENSIONS	
A	Maximum 3" (76mm) from top of enclosure.
B	8-5/16" (211mm)
C	8-5/16" (211mm)

Unit may not be exactly as shown, but the drawing depicts the process.

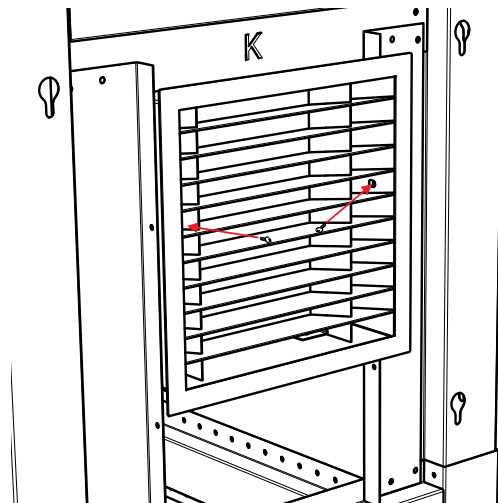
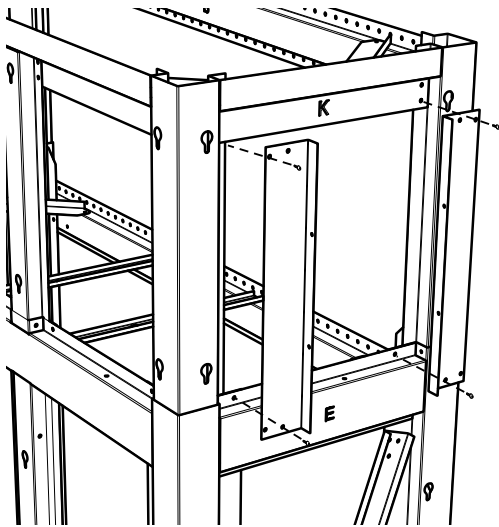
*Secure with screws through louvers to the sides.*

## Optional Side Grill Installation Into Compact or Extended Framing Kit

1. Install the side vent framing onto the framing kit by affixing to Parts K + E. If the framing kit has already been assembled, remove the existing screws one side at a time and reuse to affix the side vent framing.

2. The finished facing material should be attached and be the same size as the framed opening to eliminate gaps.

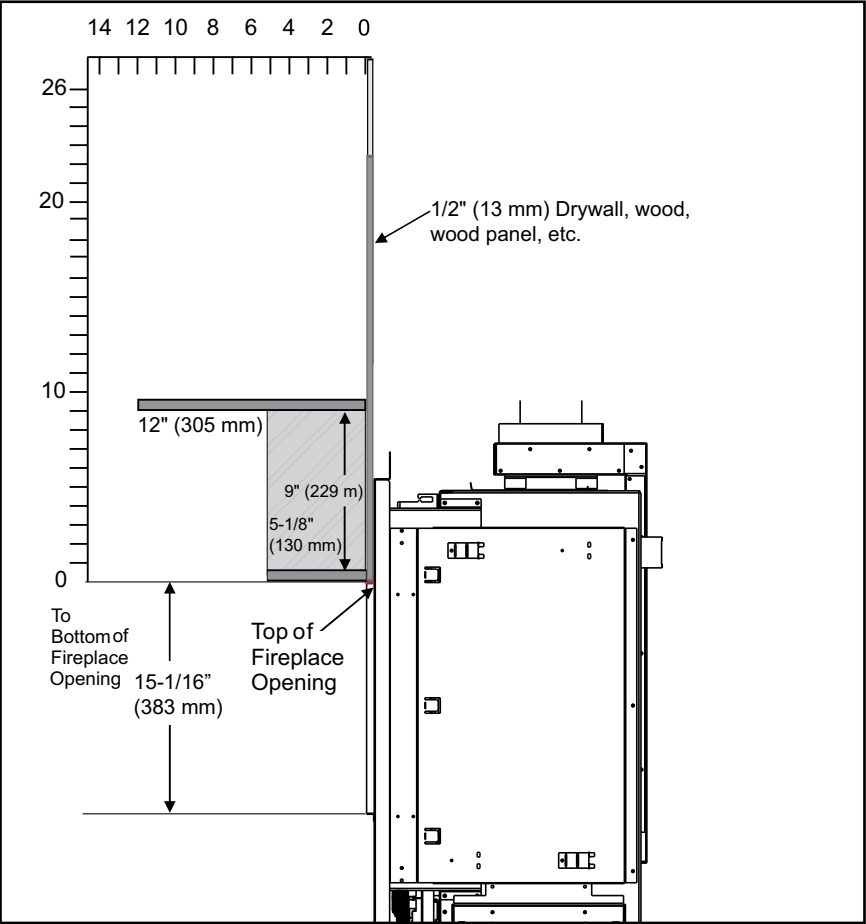
3. Install the vent with 2 screws from the front through the louvers as shown.



*Secure with screws through louvers to the sides.*

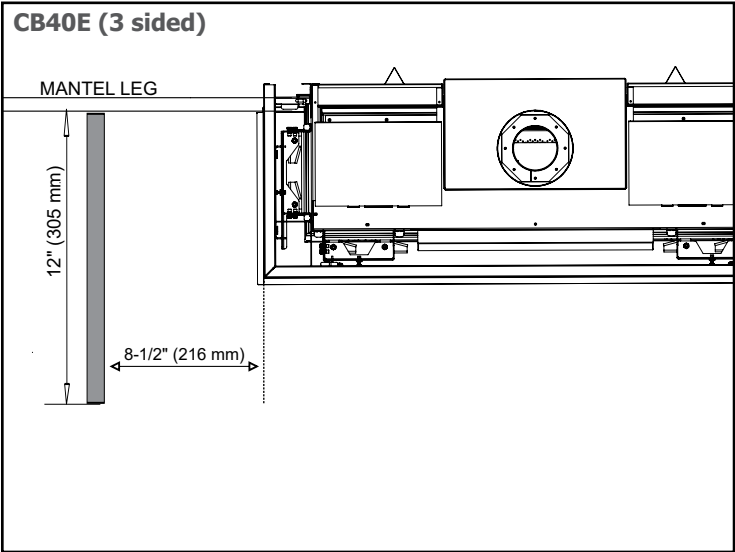
**Mantel Clearances**

Combustible mantel clearances from top of front facing are shown in the diagram on the right.



**Mantel Leg Clearances**

Combustible mantel leg clearances as per diagram:



# installation

## Framing Dimensions

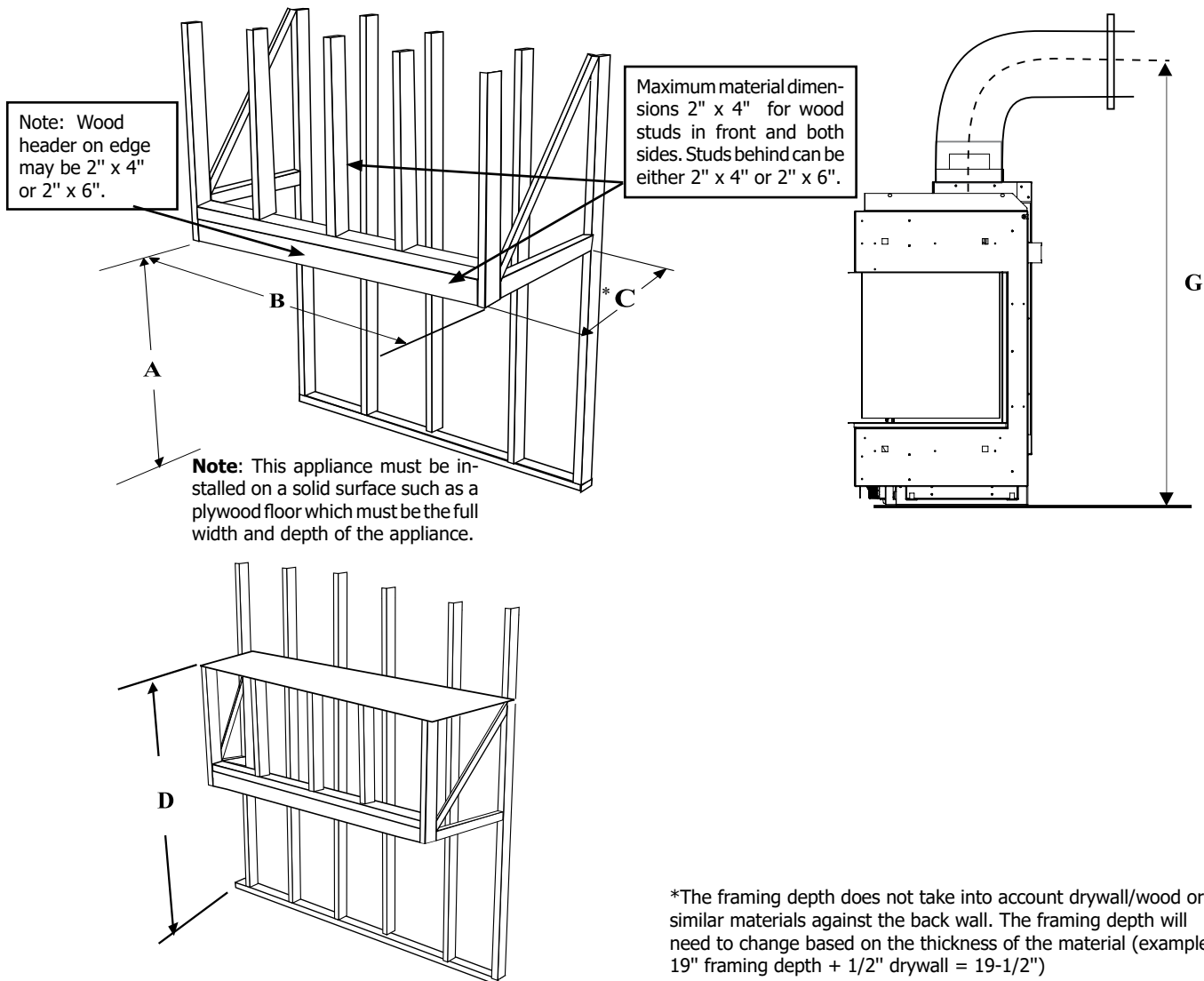
**NOTE:** Framing may be constructed of combustible material (ie. 2x4) and does not require steel studs. Two (2) optional steel stud kits may also be purchased. These kits may be used in place of the conventional wood framing as shown below. It comes as a compact kit (flush to the appliance on all sides) or an extended kit. The extended kit protrudes beyond each side of the appliance as shown on the front cover of this manual. There is also an optional hearth kit which may be purchased as shown on the front cover of this manual. These kits are highly recommended as it was designed specifically for the product to facilitate ease of installation. See instructions in this manual for details.

Framing Dimensions	Description	CB40E
A	Framing Height	37-3/8" (949mm)
B	Framing Width	48-1/2" (1232mm)
*C	Framing Depth	19" (483mm)
D	Minimum Height to Combustibles	63"(1600mm)
G	Vent Centerline Height	56-1/4" (1429mm)

**Note:** A combined minimum of 120 square inches of open area is required for the convection air outlet to cool the enclosure. Ensure clearances for Convection Air Outlets are met. See clearances CB40E (3 sided) in this manual as there are different methods as to how this can be achieved.

**Note:** Only basic framing dimensions are shown. The framing may also extend beyond the appliance on either side and also extend out front if a hearth is desired. See clearance/finishing requirements for details.

**Note:** Unit is not load bearing. All finished materials must be supported by framing.



Optional Framing Kit Installation

To watch the extended chase framing kit installation video click here: <http://bit.ly/2uqaUTz>

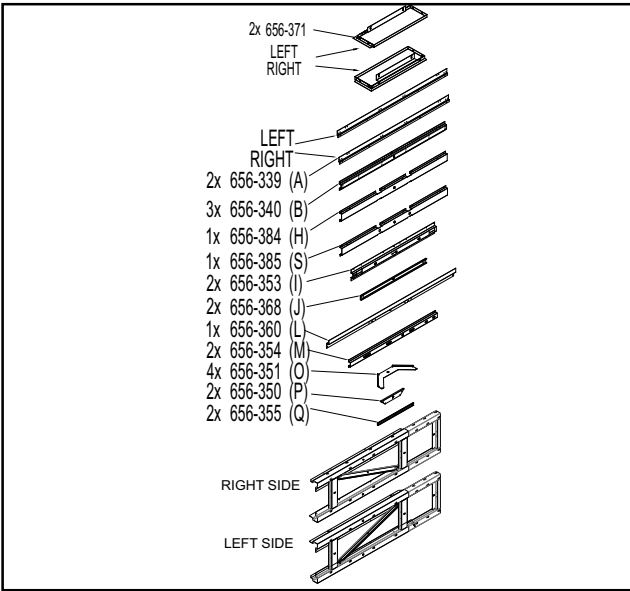
Tools/hardware needed are as follows:

- Level
- Stud finder
- Cordless screwdriver
- Phillips bit
- 5/16 inch (8 mm) hex head bit
- 2" (51 mm) to 3" (76 mm) wood screws (minimum 16)
- Self tapping screws
- Circuit/receptacle tester
- Flashlight

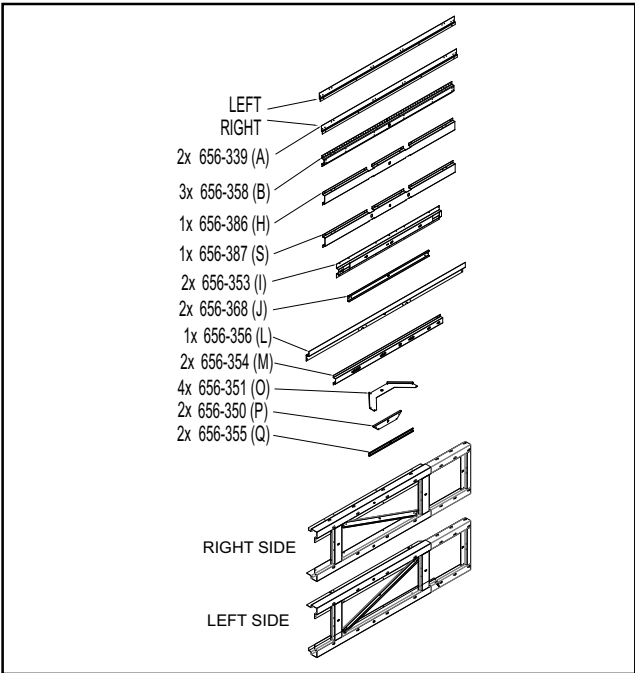


Framing Kit install video

Note: Extra screws are provided to assemble this kit. Wood/self-tapping screws to secure the framing kit to the studs are not provided by Regency.



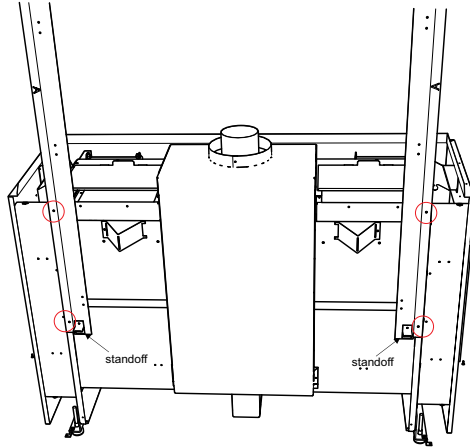
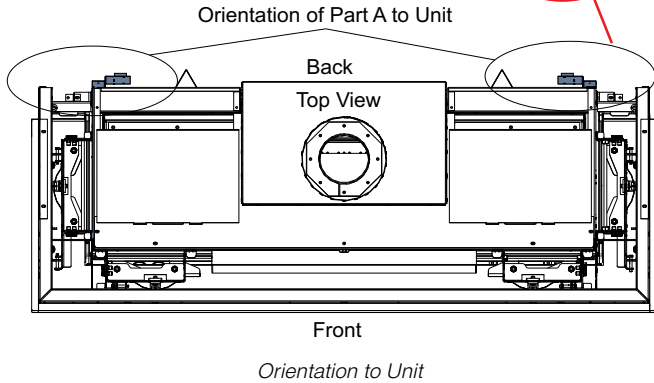
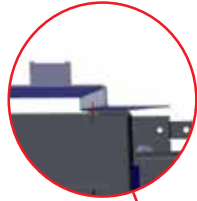
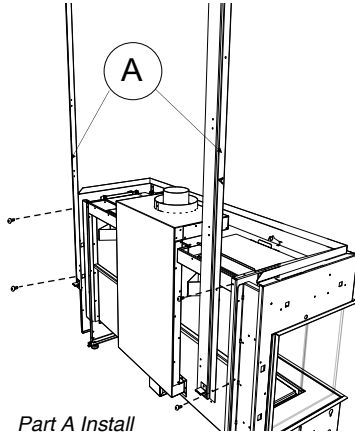
Extended Framing Kit (Part # 656-957) Contents Layout



Compact Framing Kit (Part # 656-950) Contents Layout

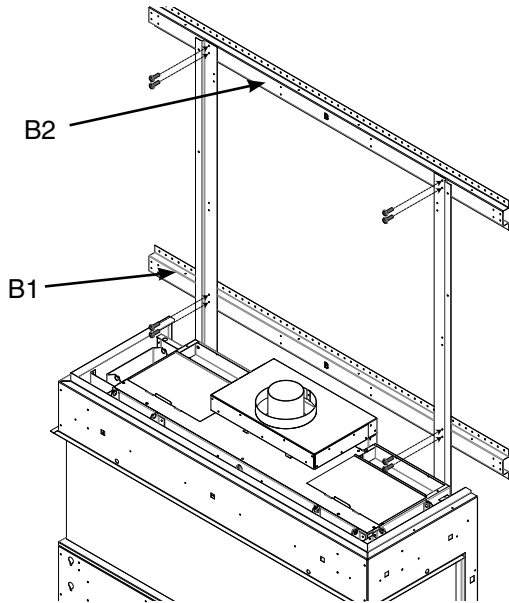
The following procedure shows the assembly of the extended framing kit—the installation of the compact framing kit is identical except part 656-371 (Step 22) is not required. Note: Unit nailing strips are not required (and can be recycled) when using the framing kit.

1. Start with the unit away from the wall, install Part A (x2) to the back of the unit with 2 screws on each side. Note the correct orientation of part A as there is a left and a right. See diagram below.



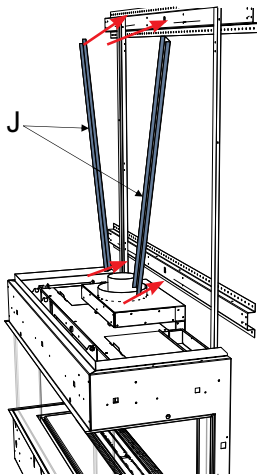
# installation

2. Install Part B1 + B2 to Part A with 2 screws on each side from the front of the unit.

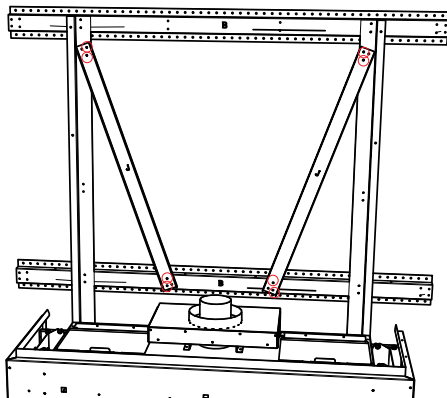


Part B1 to A - screws go in from front

3. Install Part J (x 2) to Parts B1 + B2 with 4 screws each (2 top - 2 bottom) - screw locations shown below.

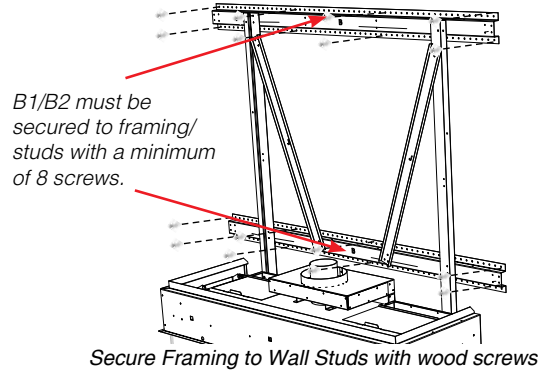


Part J install to Part B1 + B2



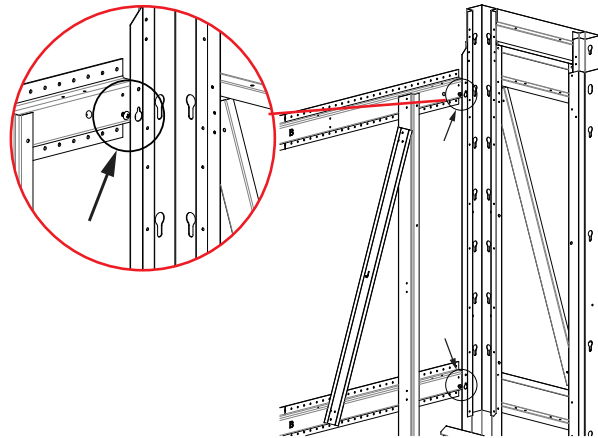
Part J screw locations

4. Slide unit into position. Check to ensure that the unit is level from front to back and side to side and Parts A + B are square. Secure the unit with framing to the wall studs with 2-1/2"-3" (64 mm - 76 mm) wood screws. Use 8 screws and secure to 4 studs minimum. **Install venting before proceeding further** with framing kit construction. Refer to manual for venting instructions.



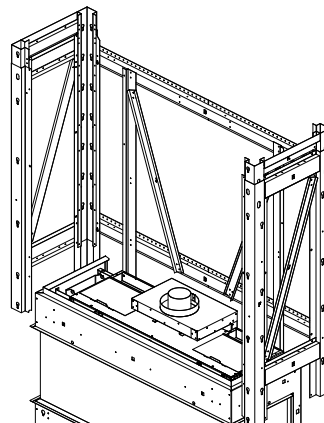
5. Install one screw (lower screw position) into B1 and B2. Hang the pre assembled RIGHT sidewall off the 2 screws using the keyhole opening on the sidewall.

6. When sidewall is in position - install the second screw in both B1 and B2 and tighten both screws to secure sidewall.



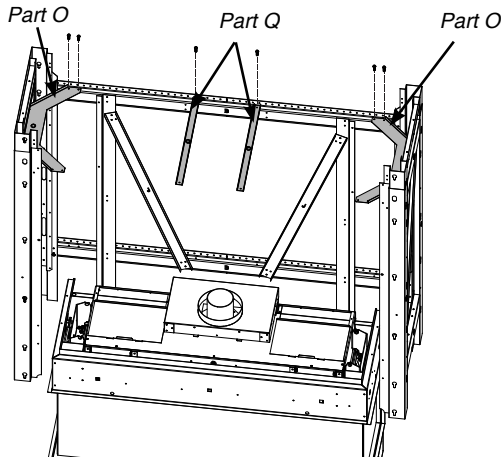
Install Pre Assembled Sidewall

7. Repeat Steps 5 & 6 on the left side to install opposite pre assembled sidewall.



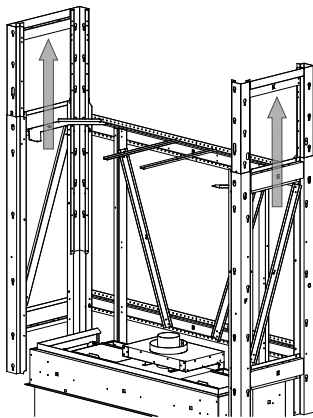
Install Pre Assembled Sidewall (opposite)

8. Attach O (x2) and Q (X2) to the top of Part B2 using screws in locations shown below.



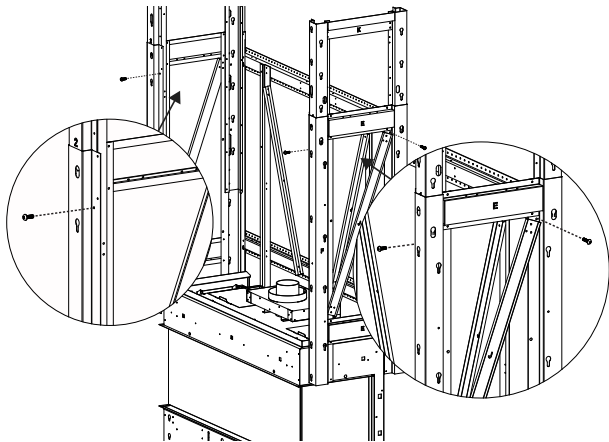
Attach Part O (x2) and Q (x2) to Part B2

9. Telescope LEFT + RIGHT sidewalls up to desired height. Fasten both sides once in place with self tapping screws.



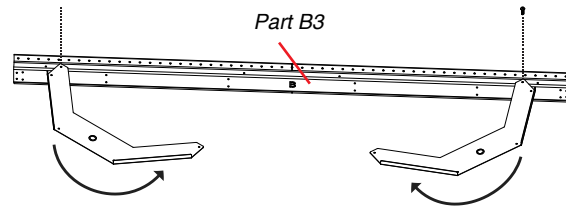
Telescope LEFT + RIGHT sidewalls to desired height

**NOTE:** If installing the optional finishing wood panel kit, place a screw in the framing kit in location shown in the diagram below. This will set the frame at the correct height for the panels.



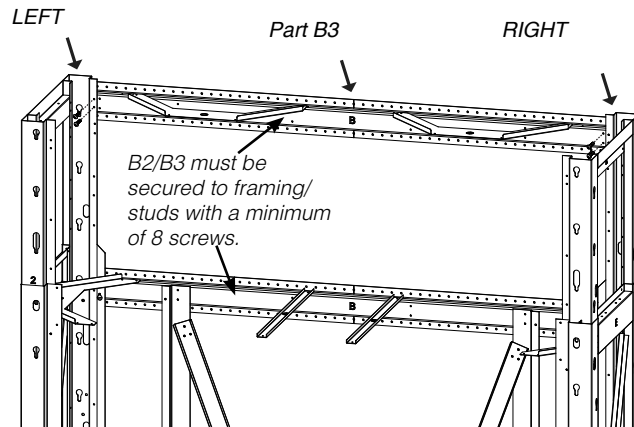
Install screw to set height for panel install  
Set predetermined height when using wood panel kit

10. Attach O (x2) with one screw to B3 and swing Part O in as shown to keep out of the way until further in the installation.



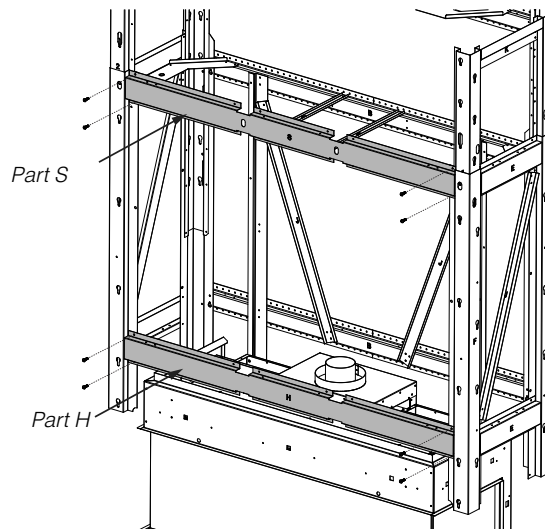
11. Attach Part B3 to extended LEFT and RIGHT sides with two screws on each side (from the front).

12. Secure B3 to the wall studs with 2-1/2"-3" (64 mm - 76 mm) wood screws. Use 8 screws and secure to 4 studs minimum.



Attach Part O (x2) to Part B3

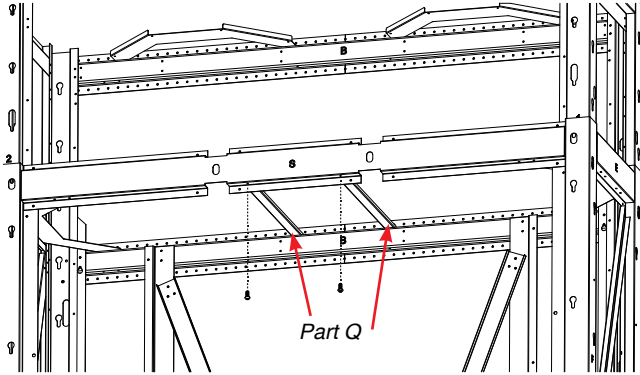
13. Attach Part S and Part H to the front of the LEFT and RIGHT sides with 2 screws on each side (4 screws total for each part).



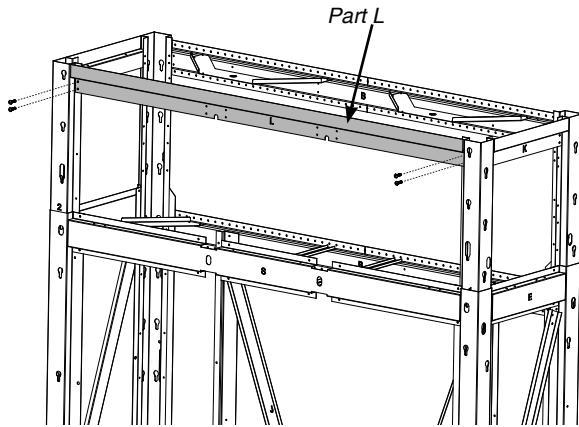
Attach Part S and Part H to Front of LEFT + RIGHT sides

# installation

14. Secure Part Q to top Part S with 1 screw each.

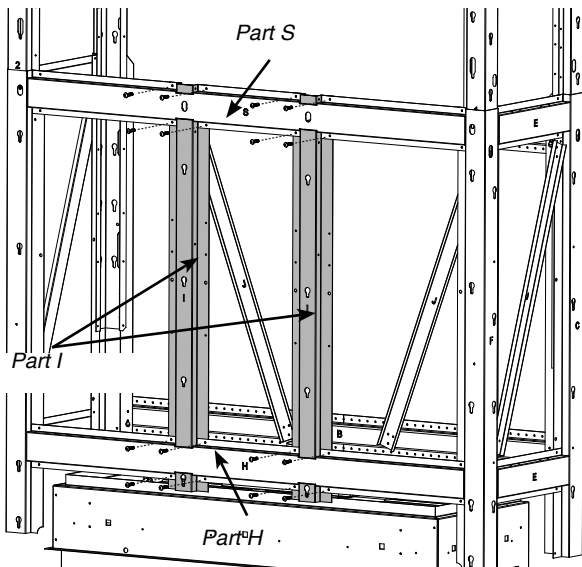


15. Attach Part L to the front of the LEFT and RIGHT sides with 2 screws on each side.



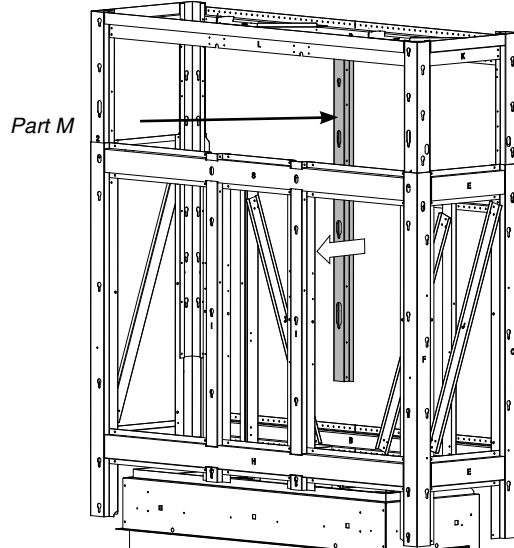
Attach Part L (x2) to LEFT and RIGHT sides

16. Position Part I (x2) to fit in the indent in Part S and Part H, secure each Part I with 8 screws each - 4 top/4 bottom.

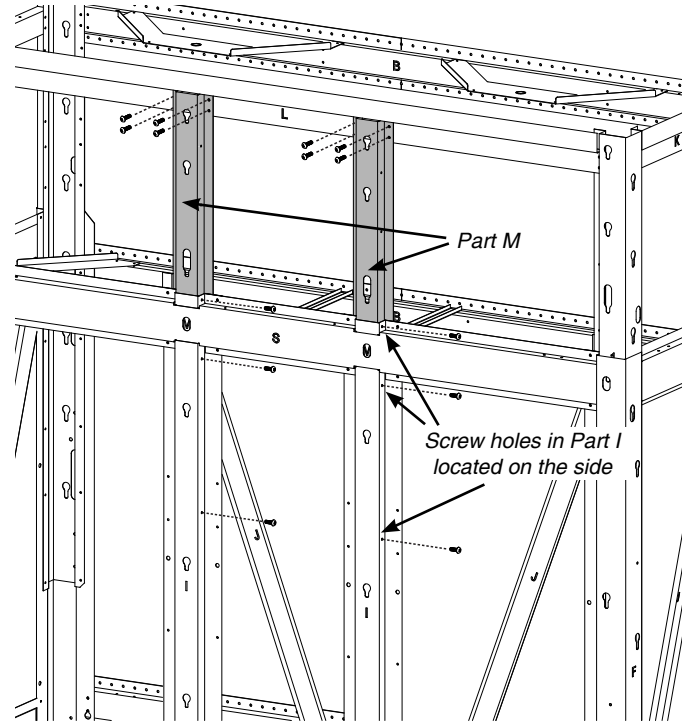


Attach Part I (x2) to Part S & H

17. Position Part M (x2) to nest in behind Part I (x2) and secure to Part I with 3 screws each and Part L with 4 screws each. See 2 drawings shown below noting orientation of Part M.



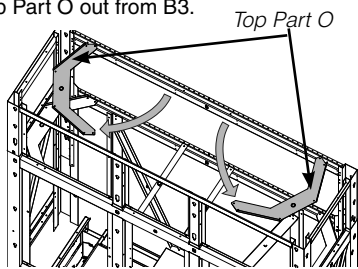
Attach Part M (x2) to Part L



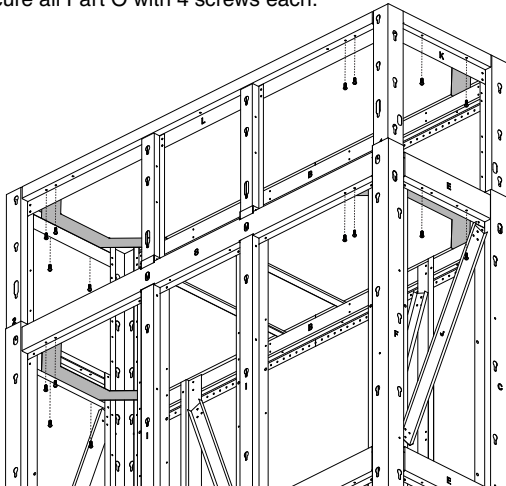
Part I screw holes located on the side



18. Swing Top Part O out from B3.

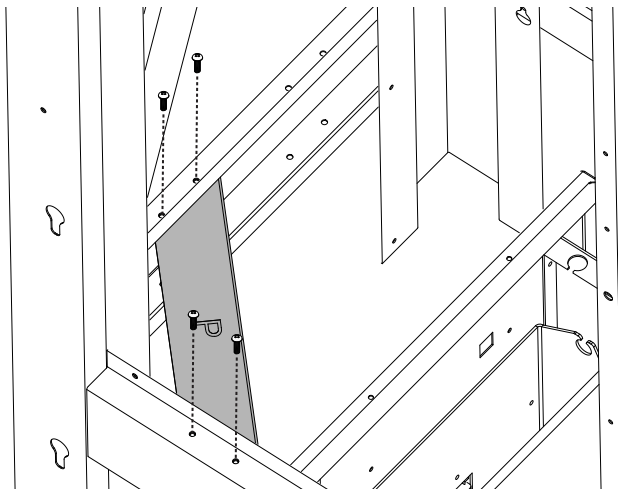


19. Secure all Part O with 4 screws each.



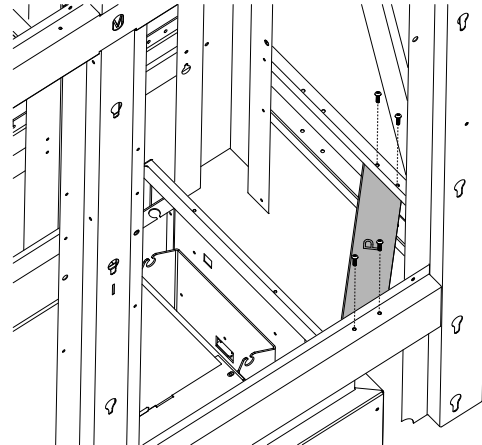
Swing Parts O out and attach

20. Attach corner brace Part P to the LEFT side and Part H with 4 screws from the top.



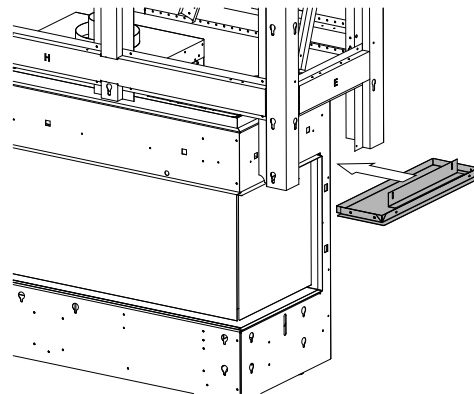
Attach Part P (Left) to the LEFT SIDE + H1

21. Attach the opposite corner brace Part P to the RIGHT side and Part H with 4 screws from the top.

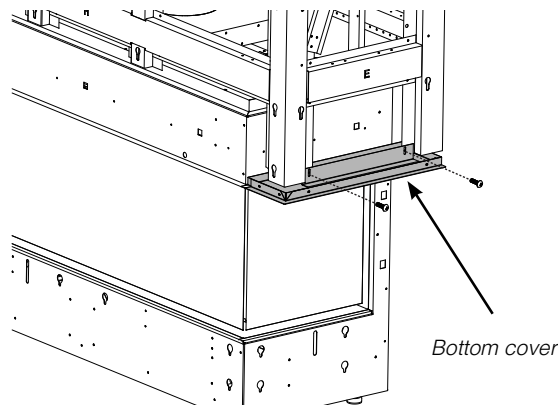


Attach Part P (Right) to the RIGHT SIDE + H1

22. **Extended framing kit only:** Install the left and right bottom cover (656-371 x 2). The left and right bottom covers are installed with 2 screws each.



Extended framing kit bottom cover install



Extended framing kit bottom cover install

# installation

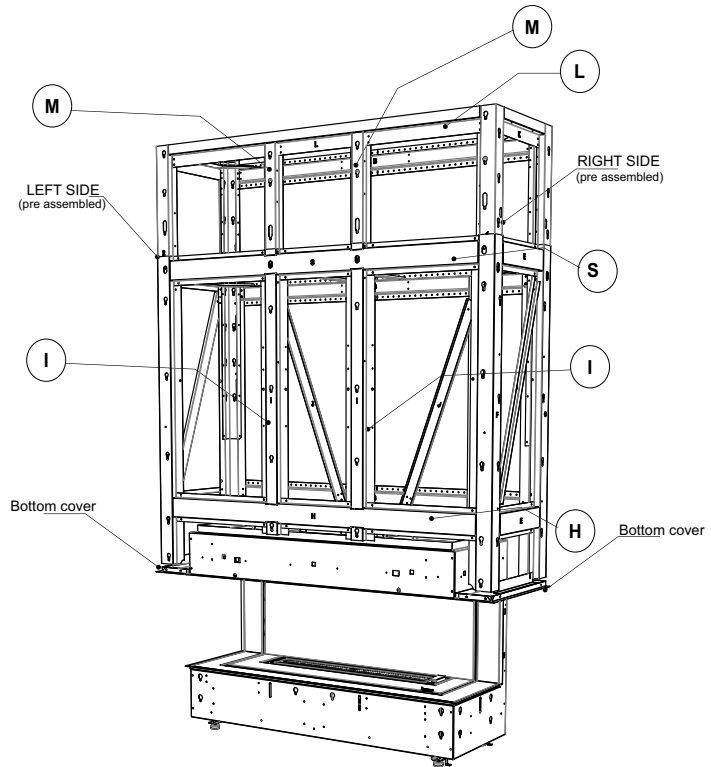
## Extended Kit Overall Dimensions:

Width: 60-1/2" (1537 mm)  
 Depth: 18-11/16" (475 mm)  
 Height: min. 80" (2032 mm)  
 max. 10' (3.05 m)

## Compact Kit Overall Dimensions:

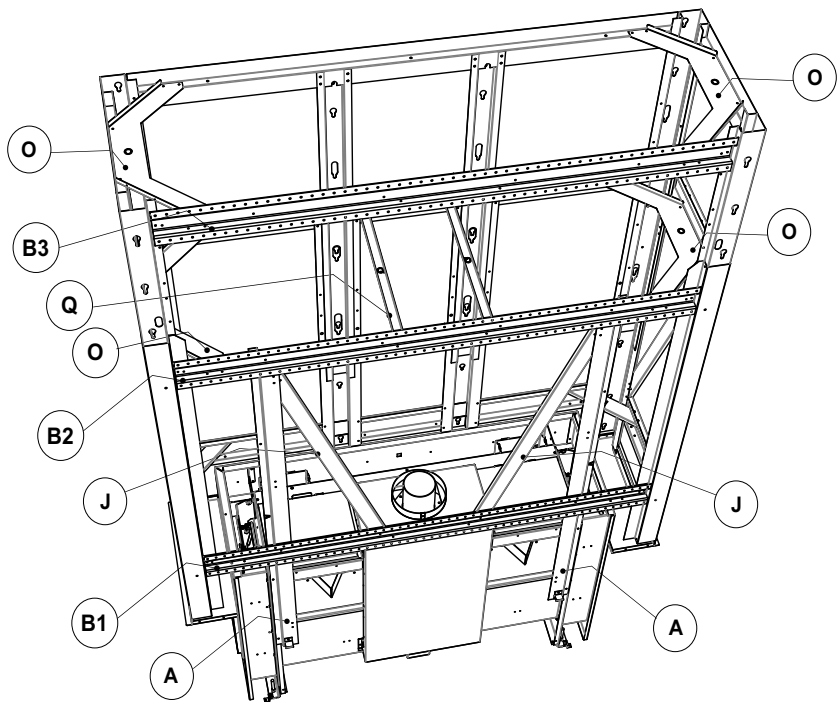
Width: 48-7/16" (1230 mm)  
 Depth: 18-11/16" (475 mm)  
 Height: min. 80" (2032 mm)  
 max. 10' (3.05 m)

Min/Max Height measured from base of appliance/ finished floor.



Front view Part ID - extended shown

**Note:** Bottom cover for extended framing kit only



Back view Part ID - extended shown

## Wall Board/Drywall Installation

**WARNING!** Risk of Fire! Comply with all minimum clearances to combustibles as specified.

### Finishing Instructions

It is important to follow the framing and finishing instructions to ensure proper placement of fireplace into the surrounding framing/finishing materials. Wall board materials 1/2 in. thick are specified in this installation manual to properly align with the optional finishing methods offered with this appliance. The CB40E may be finished to the appliance opening with 1/2 inch thick drywall.

- Ensure that the back and side clearances are maintained.

**WARNING!** Risk of Fire! Maintain specified air space clearances to combustibles. Inadequate air space could cause overheating and fire.

**DO NOT** use screws more than 3/4 inch in length on the lower access cover panel. Longer screws may penetrate gas line or damage valve or electrical components.

**Note:** It is acceptable to use a high temperature silicone sealant to adhere drywall to lower access cover panel.

The appliance is designed to be used with 1/2 in. wall sheathing materials such as drywall, plywood, wood composites, or non-combustible materials. Thicker materials may be used. Refer to facing and finishing details in this manual.

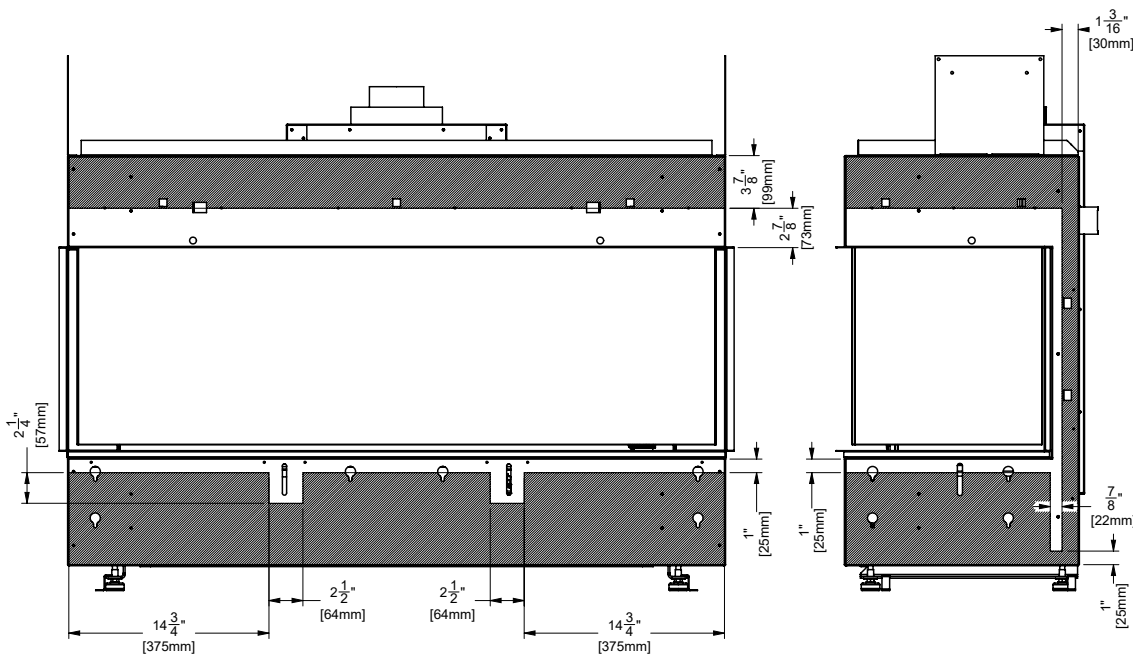
### Facing Material

- Facing and/or finishing materials must never overhang into the glass opening.
- Facing materials may be combustible or non-combustible

**WARNING!** Risk of Fire! DO NOT apply combustible materials beyond the minimum clearances. Comply with all minimum clearances to combustibles as specified in this manual. Overlapping materials could ignite and will interfere with proper operation.

### PAINTING

If desired finishing includes a painted wall, 100% acrylic latex, oil-based or standard acrylic paints may be used. Follow paint manufacturer's instructions for paint and primer application.



**SCREWS ONLY IN SHADED AREA**

# installation

## Framing and Finishing Inset Installations

1. Frame in the enclosure for the unit with framing material.

**Note:** When constructing the framed opening ensure there is access to install the gas lines, electrical. Also the wiring harness must be wall mounted using the receptacle provided with the appliance. The wiring harness will be located on the right hand side of the appliance if facing the unit from the front. This must be done prior to any finishing.

2. For exterior walls, insulate the enclosure to the same degree as the rest of the house, apply vapour barrier and drywall, as per local installation codes. (Do not insulate the fireplace itself).

**WARNING:** Failure to insulate and add vapor barriers to the inside of the exterior wall will result in operational and performance problems including, but not limited to: excessive condensation on glass doors, poor flame package, carbon, blue flames etc. These are not product related issues.

Note that in all applications while there is a zero clearance to combustibles to the unit, all clearances to combustibles from the venting inside the chase still applies. Please see venting clearances in the specific product manual.

3. **IMPORTANT: Exterior wall/Alcove enclosure:** When installing into an exterior cavity or alcove enclosure (ceiling, back and sides), regardless of where appliance is placed within the home, requires the use of either drywall or other means such as plywood, wood studs, etc. to prevent heat from escaping anywhere above/through the enclosure other than the required grill/ventilation openings.

**Internal chase:** When installing as an internal chase framing installation, regardless of where appliance is placed within the home, requires the use of either drywall or other means such as plywood, on the rear wall of the chase to eliminate heat escaping into the rear wall cavity. If the chase is extended to the ceiling, the ceiling will also need to be finished in a manner to prevent heat escaping into floor joist/attic space.

One of the following methods must be used to prevent the heat from escaping:

- a. If choosing drywall, ensure that the drywall is butt up tight with no gaps.
- b. Plywood, wood studs, etc. installed tightly with no gaps.

As this appliance has been designed with all hot air escaping through the chase enclosure ventilation / grill openings only, if hot air is trapped as a result of the hot air escaping through joints, crevasses, open studs, or other openings within the enclosure above, this will change the clearances within the enclosure causing the enclosure to overheat. It is vital that all the hot air from within the enclosure exits through the ventilation openings only.

Ensure that the ventilation openings are made as such to prevent debris, objects from falling into the enclosure.

Warning: DO NOT cover or place objects in front of the ventilation opening air outlet(s).

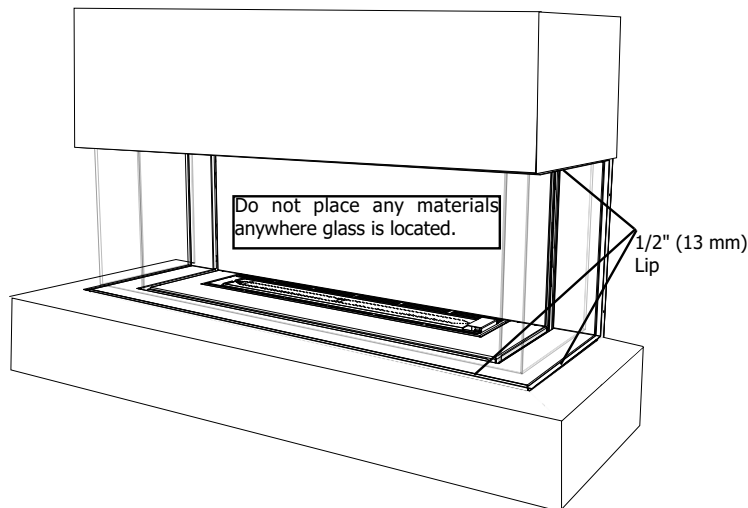
4. Combustible material (drywall, wood, wood panels, etc.) may be brought up to this appliance (top, bottom and sides)

5. Ensure that the material being used does not encroach anywhere in the area of the glass. This would cause dangerous operating conditions.

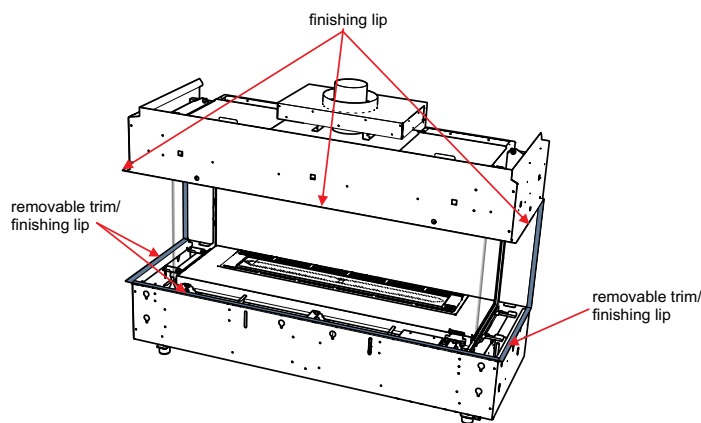
6. This appliance comes with a 1/2" (13 mm) lip at top, sides and bottom to hide the ends of the drywall. The 1/2" (13 mm) side and bottom, front and bottom side lips supplied with the appliance can alternatively be removed

and replaced with J Style Trim or Metal Corner Bead purchased at your local hardware store to cover cut/exposed edges of the combustible facing material or any other finishing materials being used. Six (6) screws secure the bottom front lip. Two (2) secure the bottom side lips and 2 secure each side if deciding to remove these. These will be hidden so the outer panels (if installed) will need to be removed to access the screws. See outer panel removal in this manual.

7. This appliance can also be recessed (using combustible materials) with a hearth in front of the appliance. This can also extend to the top. See below for details.



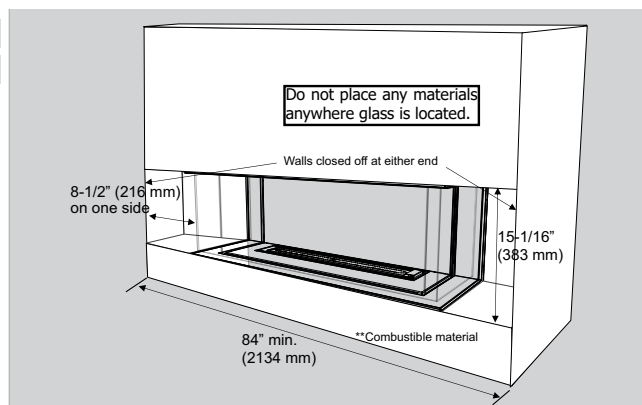
Note : an offset screwdriver is provided with the appliance for ease of removal/installation of the lip.



## Extended Finish CB40E (Walls Closed Off at Either End)

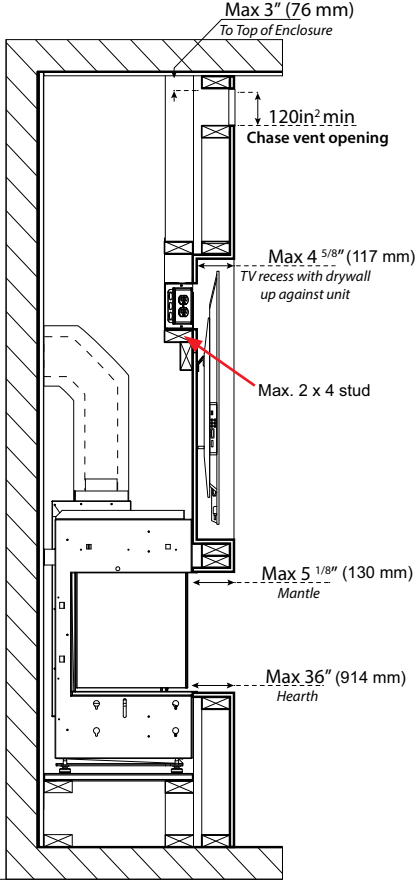
The sides can extend out as shown using combustible materials. The opening must be a minimum of 84 inches wide and have a minimum of 8-1/2" (216 mm) on one side of the fireplace, if choosing to offset the installation

\*\*Combustible material may extend a minimum of 1/2" (13 mm) and to a maximum of 5-1/8" (130 mm) from the Front top. See mantle clearance chart for details. The base and side (with smaller glass) have no limit when it comes to how far the combustible material may extend out from the appliance. Ensure that no material encroaches anywhere in the area of the glass as these are defined by the finishing lip above, below and to the sides of this appliance.



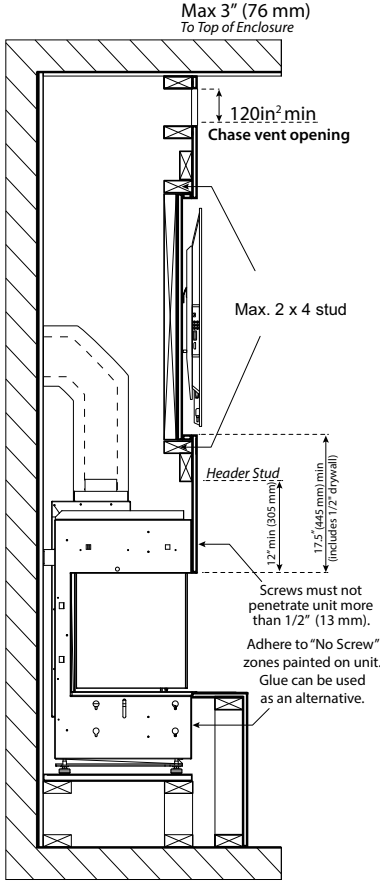
TV Recessed into Wall - Typical Installs

Maximum TV Recess



4 5/8" (117 mm) maximum TV recess using 1/2" (13 mm) drywall

TV Flush with Hearth



Flush wall TV recess using 1/2" (13 mm) drywall

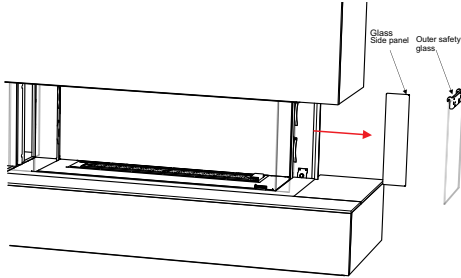
# installation

## Optional Glass Panel Installation (Parts # 656-921 and # 656-920)

▶ To watch the glass corner installation video click [here](#).

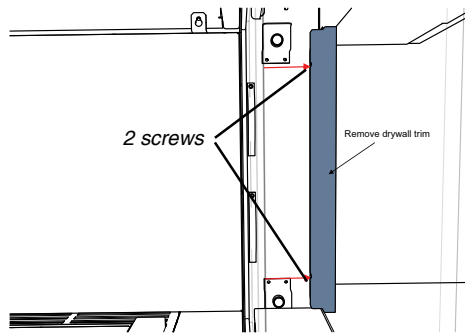
The compact side glass trim pieces (black glass) may be installed to complete the side of the appliance

1. To allow access for installation of the side glass trim piece, remove the outside safety barrier glass and side (glass) panels, if installed - see manual for instructions.



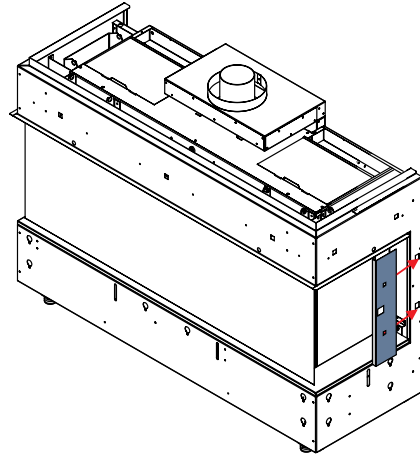
*Remove side outer safety glass and side glass panel (if installed) CB40E shown*

2. Remove drywall finishing trim by loosening 2 screws - recycle trim.



▶ Glass Panel install video: <http://bit.ly/2uqfndj>

3. Carefully maneuver side trim piece into position—sliding it from the front until the tabs on the side of the trim click into place with the unit.

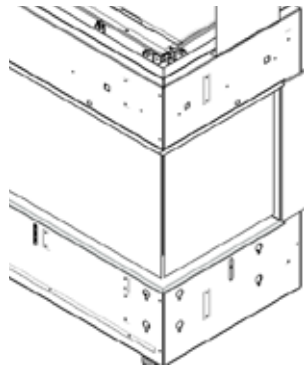


*Tabs shown for illustration purposes - tabs are on the inside of the panel*

4. Tighten screws loosened in Step 2 to secure side trim to unit.

5. Repeat steps 2-4 to install side trim piece on the opposite side.

6. Reinstall side panels and outside safety glass. (See manual)



*Completed glass trim*

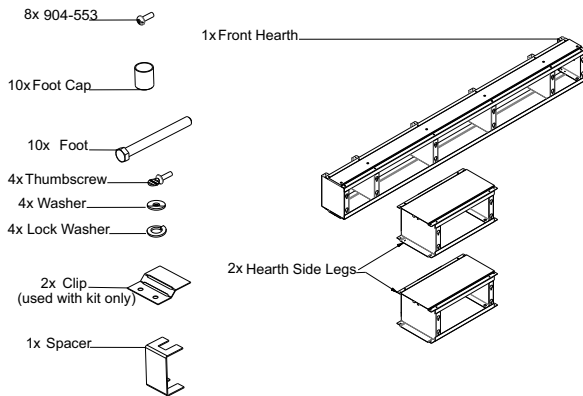
## Optional Extended Hearth Kit Installation (Part # 656-952)

▶ To watch the hearth framing kit installation video click [here](#).

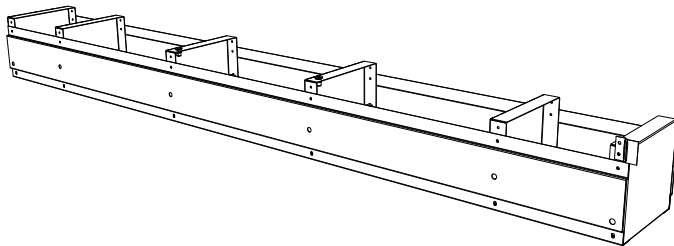
**NOTE:** Prior to installing the extended hearth kit, both the gas/electrical should be installed.

This optional Extended hearth kit is 8- 1/2 inches (216 mm) high ( without leveling legs attached) and may be adjusted up to a maximum of 11-1/2 inches (292 mm) high using the leveling feet provided. Overall depth is 24-7/16" (621mm) and overall width is 68-7/16" (1739mm)

Lay out and identify the parts for the extended hearth kit.

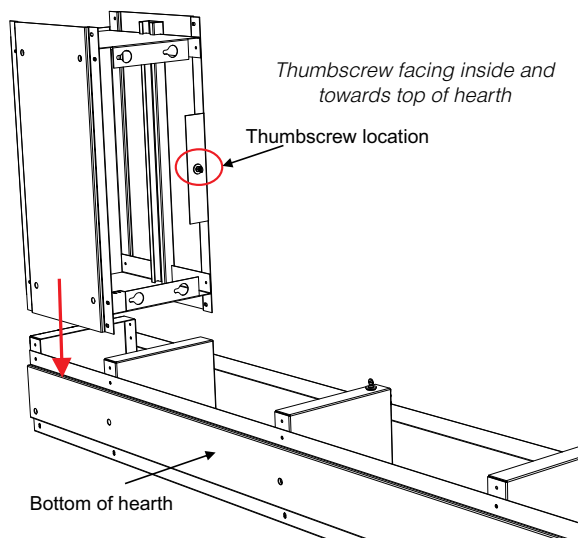


1. Start with the front hearth — flip it 90° (rib side up) to ease the installation of the left and right legs.



Hearth Front - rib side up

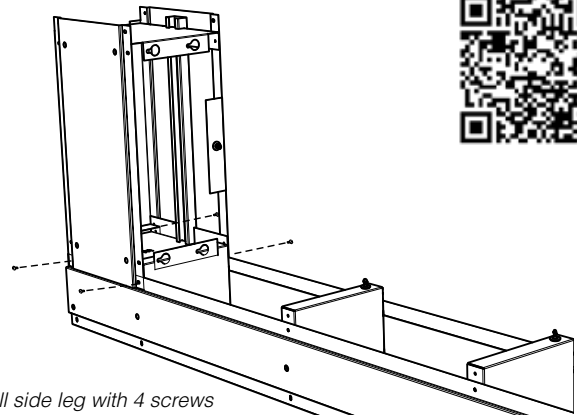
2. Line up one of the hearth legs with the front hearth section. Ensure the thumb screw is located facing the inside of the hearth and towards the top of the hearth.



Install sides with 4 screws

3. Secure the leg with 2 screws on each side—4 screws total.

4. Repeat on other side.



Install side leg with 4 screws

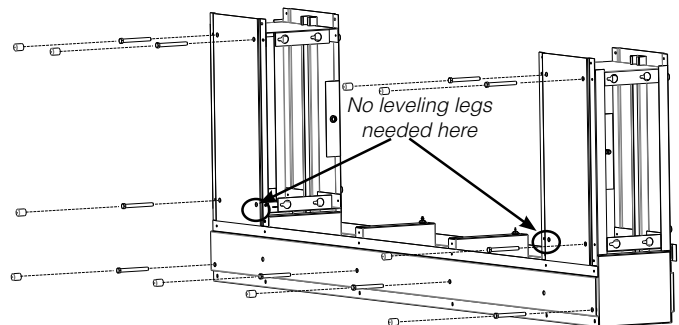
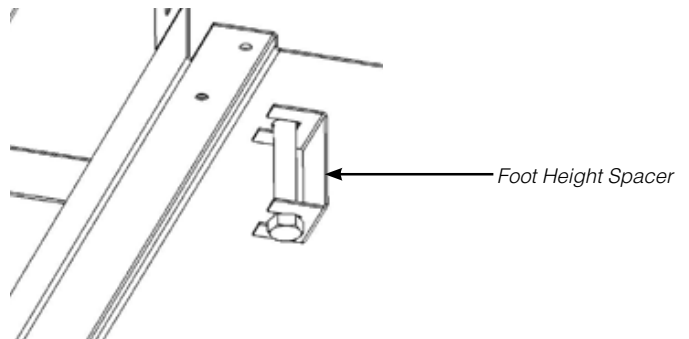
5. 10 leveling legs must be installed to the hearth. See diagram below.

Min. hearth height (w/o feet) = 8-1/2" (216 mm)

Max. hearth height = 11-1/2" (292 mm)

Install the leveling legs/feet using the spacer to ensure all of them are at the same height.

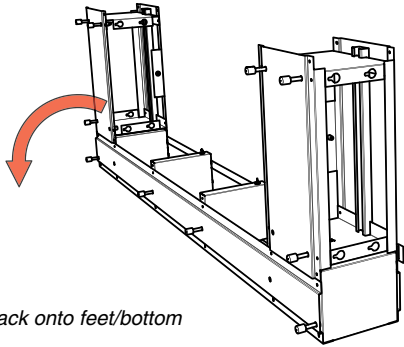
Once the 10 leveling legs/feet are spaced out, use the foot caps which are designed to protect the floor surface when sliding the completed hearth into position. These simply slide over the leveling legs/feet.



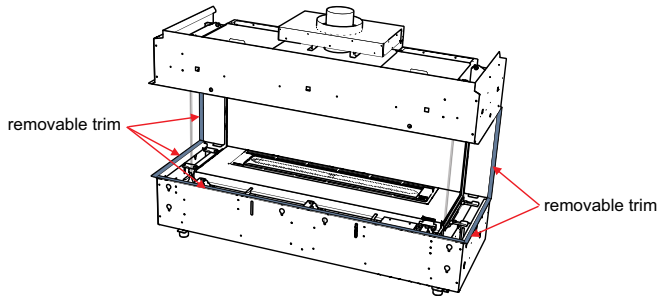
Install leveling legs/feet + foot caps

# installation

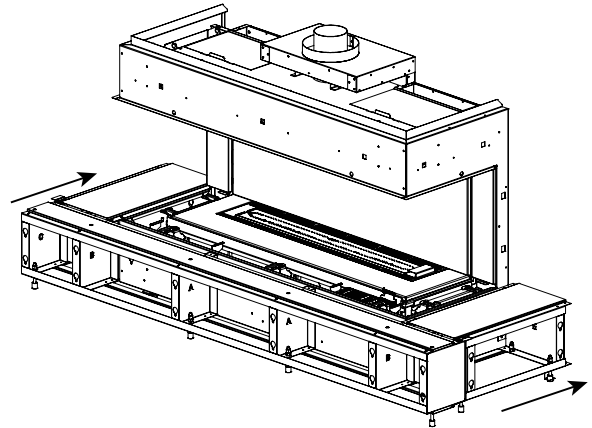
6. After installing supplied feet tilt assembled hearth over 90°.



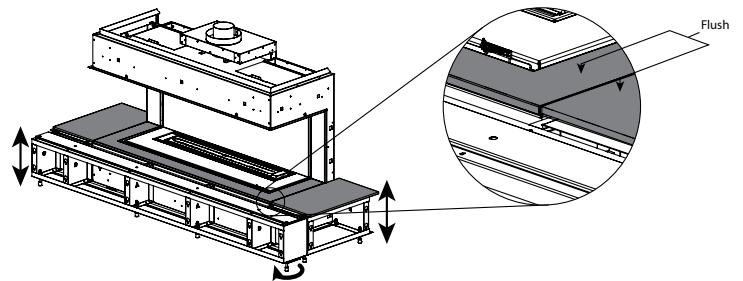
7. If using hearth panel kit/glass hearth top, remove removable trim (5 pieces) from the unit prior to sliding hearth into position. Loosen screws from inside the unit to remove trim.



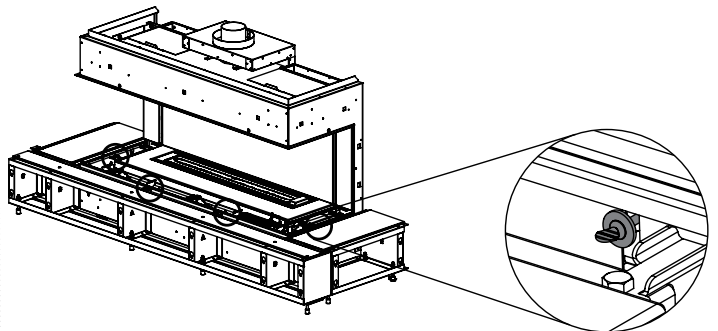
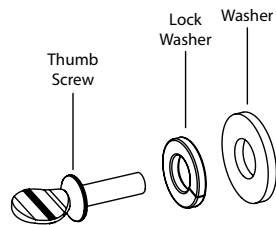
8. Slide assembled hearth into position around unit.



9. Temporarily place the hearth top finishing materials on top of the hearth and adjust height of the hearth by adjusting the leveling legs to ensure that the hearth top finishing materials line up with the outer base panels on the appliance or the removable trim if left in place (see step 7). This must be level at front and both sides.



10. Remove outer base panels from unit, then secure hearth to unit with 4 thumbscrews with lock washers + washers (installed from inside the unit) in locations shown in above diagram.



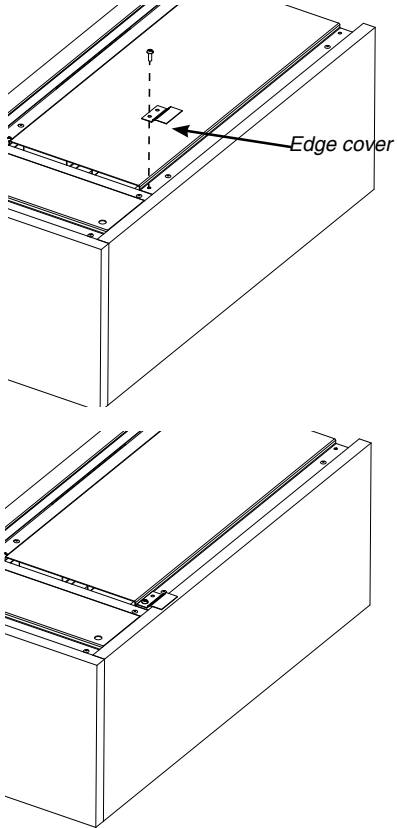


## Extended Hearth Glass Top Installation (Part # 656-922)

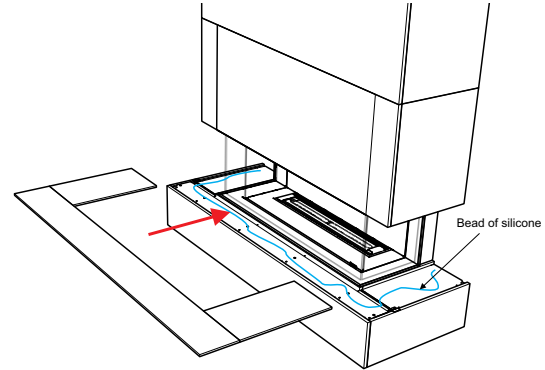
▶ To watch the glass hearth top installation video click [here](#).

The extended hearth glass top is used in conjunction with the extended hearth framing kit. Install the extended hearth framing kit before installing the glass top.

1. Remove the outer safety barrier glass (if already installed) See manual for detail instructions.
- 2 Remove screw from hearth and retain, install edge cover securing with screw previously removed from hearth.



4. Install the glass hearth top (3 pieces in total)—apply a bead of silicone to the top of the hearth framing before placing the three pieces of glass in place. Handle glass carefully.

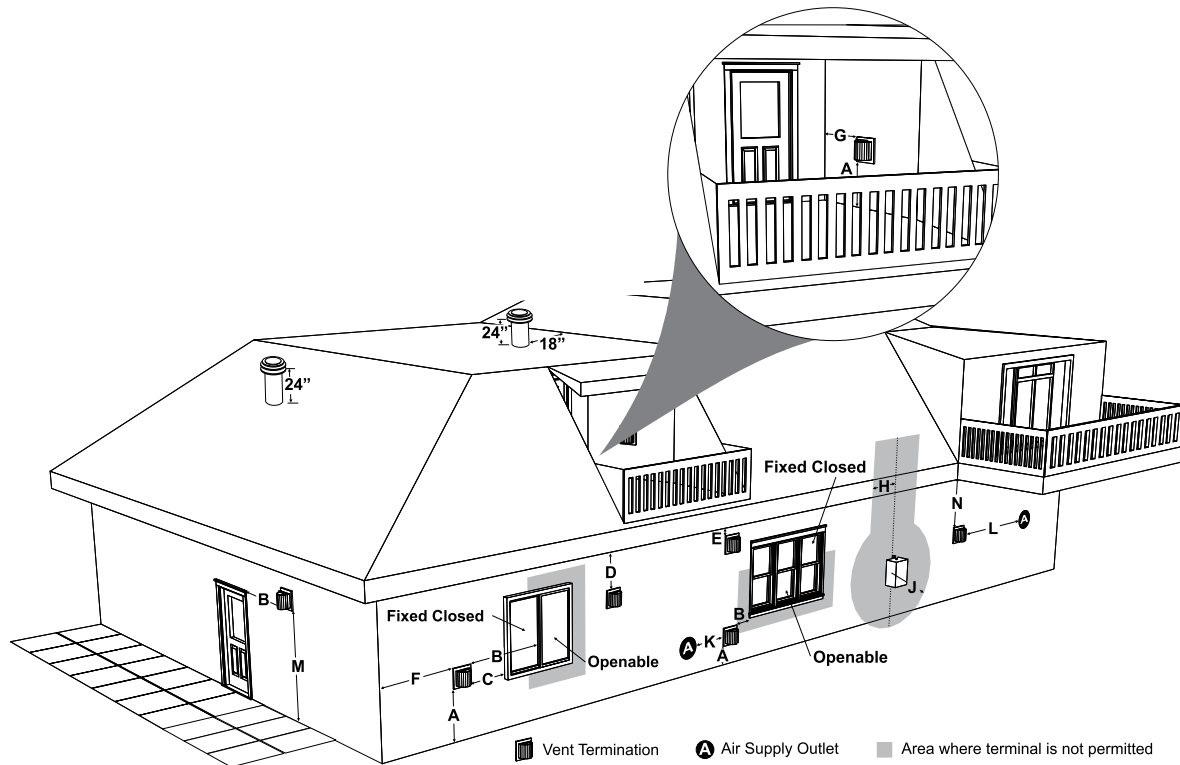


*Install glass hearth top (3 pieces)*

3. Repeat Step 2 on opposite side.

# installation

## Exterior Vent Termination Locations



	Minimum Clearance Requirements	Canada <sup>1</sup>	USA <sup>2</sup>
<b>A</b>	Clearance above grade, veranda, porch, deck, or balcony	12" (305 mm)	12" (305 mm)
<b>B</b>	Clearance to window or door that may be opened	12" (305 mm)	9" (229 mm)
<b>C</b>	Clearance to permanently closed window	*	*
<b>D</b>	Vertical clearance to ventilated soffit located above the terminal within a horizontal distance of 2 feet (61cm) from the center line of the terminal (check with the local code)	18" (457 mm)	18"(457 mm)
<b>E</b>	Clearance to unventilated soffit	20" (508 mm)	20" (508 mm)
<b>F</b>	Clearance to outside corner: with <b>AstroCap</b> Termination Cap.	6"(152 mm)	6" (152 mm)
	Clearance to outside corner: with all other approved Termination Caps.	14" (356 mm)	14" (356 mm)
<b>G</b>	Clearance to inside corner: with <b>AstroCap</b> Termination Cap	6"(152 mm)	6"(152 mm)
	Clearance to inside corner: with all other approved Termination Caps.	12" (305 mm)	12" (305 mm)
<b>H</b>	Clearance to each side of center line extended above meter/regulator assembly	36" (914 mm)	*
<b>J</b>	Clearance to service regulator vent outlet	36" (914 mm)	*
<b>K</b>	Clearance to non-mechanical air supply inlet to building or the combustion air inlet to any other appliance	12" (305 mm)	9" (229 mm)
<b>L</b>	Clearance to a mechanical air supply inlet #3' (91cm) above if within 10' (3m) horizontally.	72" (1829 mm)	36" (914 mm) <sup>b</sup>
<b>M</b>	Clearance above paved sidewalk or a paved driveway located on public property	84" (2134 mm) <sup>†</sup>	*
<b>N</b>	Clearance under veranda, porch, deck, or balcony	12" (305 mm) <sup>‡</sup>	*

<sup>1</sup> In accordance with current CSA B149.1, *Natural Gas and Propane Installation Code*

<sup>2</sup> In accordance with the current ANSI Z223.1/NFPA 54, *National Fuel Gas Code*

<sup>†</sup> A vent shall not terminate directly above a sidewalk or paved driveway which is located between two single family dwellings and serves both dwellings

<sup>‡</sup> Permitted only if veranda, porch, deck, or balcony is fully open on a minimum of two sides beneath the floor

\* Clearance in accordance with local installation codes and the requirements of the gas supplier

<sup>a</sup> 3 feet (91cm) within a height of 15 feet (4.5m) above the meter / regulator assembly

<sup>b</sup> 3 feet (91cm) above - if within 10 feet (3m) horizontally

**4" x 6-5/8" (102 mm x 168 mm) Rigid Pipe Cross Reference Chart**

Components from different Manufacturers may not be mixed. Not All Rigid Pipe components are available directly from FPI.

Description	Simpson Direct Vent Pro®	*Selkirk Direct Temp™	*American Metal Products® Amerivent Direct	*Metal-Fab™ Sure Seal	*Security Secure-Vent®	*ICC Excel Direct	*Olympia Ventis DV*
6" Pipe Length-Galvanized	46DVA-06	4DT-6	N/A	4D6	SV4L6	TC-4DL6	VDV-0406
6" Pipe Length-Black	46DVA-06B	4DT-6B	N/A	4D6B	SV4LB6	TC-4DL6B	VDVB-0406
7" Pipe Length-Galvanized	N/A	N/A	4D7	N/A	N/A	N/A	N/A
7" Pipe Length-Black	N/A	N/A	4D7B	N/A	N/A	N/A	N/A
9" Pipe Length-Galvanized	46DVA-09	4DT-9	N/A	N/A	N/A	TC-4DL9	VDV-0409
9" Pipe Length-Black	46DVA-09B	4DT-9B	N/A	N/A	N/A	TC-4DL9B	VDVB-0409
12" Pipe Length-Galvanized	46DVA-12	4DT-12	4D12	4D12	SV4L12	TC-4DL1	VDV-0412
12" Pipe Length-Black	46DVA-12B	4DT-12B	4D12B	4D12B	SV4LB12	TC-4DL1B	VDVB-0412
18" Pipe Length-Galvanized	46DVA-18	4DT-18	4D18	4D18	SV4LA	TC-4DL18	VDV-0418
18" Pipe Length-Black	46DVA-18B	4DT-18B	4D18B	4D18B	SV4LA	TC-4DL18B	VDVB-0418
24" Pipe Length-Galvanized	46DVA-24	4DT-24	4D24	4D24	SV4L24	TC-4DL2	VDV-0424
24" Pipe Length-Black	46DVA-24B	4DT-24B	4D24B	4D24B	SV4LB24	TC-4DL2B	VDVB-0424
36" Pipe Length-Galvanized	46DVA-36	4DT-36	4D36	4D36	SV4L36	TC-4DL3	VDV-0436
36" Pipe Length-Black	46DVA-36B	4DT-36B	4D36B	4D36B	SV4LB36	TC-4DL3B	VDVCB-0436
48" Pipe Length-Galvanized	46DVA-48	4DT-48	4D48	4D48	SV4L48	TC-4DL4	VDV-0448
48" Pipe Length-Black	46DVA-48B	4DT-48B	4D48B	4D48B	SV4LB48	TC-4DL4B	VDVB-0448
60" Pipe Length-Galvanized	46DVA-60	4DT-60	N/A	N/A	N/A	N/A	N/A
60" Pipe Length-Black	46DVA-60B	4DT-60B	N/A	N/A	N/A	N/A	N/A

Adjustable Length 3"-10"-Galvanized	N/A	N/A	N/A	4DAL	N/A	TC-4DLT	N/A
Adjustable Length 3"-10"-Black	N/A	N/A	N/A	4DALB	N/A	TC-4DLTB	N/A
Adjustable Length 7"-Galvanized	N/A	N/A	4D7A	N/A	N/A	N/A	N/A
Adjustable Length 7"-Black	N/A	N/A	4D7AB	N/A	N/A	N/A	N/A
Extension Pipe 8-1/2"-Galvanized	46DVA-08A	N/A	N/A	N/A	N/A	N/A	N/A
Extension Pipe 8-1/2"-Black	46DVA-08AB	N/A	N/A	N/A	N/A	N/A	N/A
Adjustable Length 12"-Galvanized	N/A	N/A	4D12A	N/A	SV4LA12	TC-4dLSI	N/A
Adjustable Length 12"-Black	N/A	N/A	4D12A	N/A	SV4LBA12	TC-4dLSIB	N/A
Extension Pipe 16"-Galvanized	46DVA-16A	N/A	N/A	N/A	N/A	N/A	N/A
Extension Pipe 16"-Black	46DVA-16AB	N/A	N/A	N/A	N/A	N/A	N/A

45° Elbow-Galvanized	46DVA-E45	4DT-EL45	4D45L	N/A	N/A	TE-4DE45	VDV-EL0445
45° Elbow-Black	46DVA-E45B	4DT-EL45B	4DT-EL45B	N/A	N/A	TE-4DE45B	VDVB-EL0445
45° Elbow Swivel-Galvanized	See 46DVA-E45	N/A	N/A	4D45L	SV4E45	N/A	N/A
45° Elbow Swivel-Black	See 46DVA-E45B	N/A	N/A	4D45LB	SV4EB45	N/A	N/A
90° Elbow-Galvanized	46DVA-E90	4DT-EL90S	4DT-EL90S	N/A	N/A	TE-4DE90	VDV-EL0445
90° Elbow-Black	46DVA-E90B	4DT-EL90SB	4DT-EL90SB	N/A	SV4EBR90-1	TE-4DE90B	VDVB-EL0445
90° Elbow, Swivel-Galvanized	See 46DVA-E90	N/A	N/A	4D90L	SV4E90-1	N/A	N/A
90° Elbow, Swivel-Black	See 46DVA-E90B	N/A	N/A	4D90LB	SV4EB90-1	N/A	N/A
90° Starter Elbow, Swivel-Galvanized	N/A	N/A	N/A	4D90A	N/A	N/A	N/A
Adaptor*	N/A	N/A	N/A	4D90L	N/A	N/A	VDV-UAA04

Ceiling Support	N/A	4DT-CS	4DSP	4DFSP	SV4SD	TM4-RDS	VDV-SCR04
Cathedral Support Box	46DVA-CS	4DT-CSS	4DRSB	4DRS	SV4CSB	TM4-SDS	VDV-CSS04
Wall Support/Band	46DVA-WS	4DT-WS/B	4DWS	4DWS	SV4BM	TM-SWS	VDV-WS04
Offset Support	46DVA-ES	4DT-OS	N/A	N/A	SV4SU	TM-SOS	N/A
Wall Thimble-Black	46DVA-WT	4DT-WT	4DWT	4DWT	SV4RSM	N/A	VDV-WPT04
Wall Thimble Cover/Ceiling Support	46DVA-DC	N/A	N/A	N/A	SV4PF	N/A	N/A
Firestop Spacer	46DVA-FS	4DT-FS	4DFSP	4DFS	SV4BF	TM-4CS	VDV-FS04
Trim Plate-Black	N/A	4DT-TP	4DFPB	4DcP	SV4LA	TM-4TP	VDV-WTC04

\* Not available from Regency

# installation

Description	Simpson Direct Vent Pro®	*Selkirk Direct Temp™	*American Metal Products® Amerivent Direct	*Metal-Fab™ Sure Seal	*Security Secure-Vent®	*ICC Excel Direct	*Olympia Ventis DV*
Attic Insulation Shield 12"	46DVA-IS	N/A	4DAIS12	DDIS	SV4RSA	N/A	VDV-AIS04
Attic Insulation Shield - Cold Climates 36"	46DVA-KHA	N/A	4DAIS12	N/A	N/A	TM-4AS	N/A

Basic Horizontal Termination Kit (A)	N/A	4DT-HKA	4DHTK2	4DHTKA	SV-SHK	TM4-HTK	VDV-KW04
Horizontal Termination Kit (B)	N/A	4DT-HKB	4DHTK1	4DHTKB	SV-HK	TM4-HTK	VDV-K04
Vertical Termination Kit	N/A	4DT-VKC	4DHTK	4DHTK	SV-FK	N/A	N/A

High Wind Vertical Cap	46DVA-VCH	N/A	N/A	N/A	N/A	TM-4VT	VDV-VCHW04
High Wind Horizontal Cap	N/A	N/A	N/A	N/A	N/A	TM-4DHT	N/A
Horizontal Square Termination Cap	46DVA-HC	4DT-HHC	4DHC	4DHT	SV4CHC-1	TM-4HT	VDV-HC04
Vertical Termination Cap	46DVA-VC	4DT-HVC	4DVC	4DVT	SV4CGV-1	N/A	N/A
Storm Collar	46DVA-SC	4DT-SC	4DSC	4DSC	SV4FC	TM-SC	VDV-SC04

Flashing - Flat Roof	46DVA-FF	N/A	N/A	N/A	N/A	N/A	N/A
Adjustable Flashing 0/12-6/12	46DVA-F6	4DT-ST14	4D12S	4DF	SV4STC14	TF-4FA	VDV-F0406
Adjustable Flashing 6/12-12/12	46DVA-F12	4DT-ST36	4D36S	4DF12	SV4STC36	TF-4FB	VDV-SSO

Vinyl Siding Standoff	46DVA-VSS	4DT-VS	N/A	4DVS	SV4VS	TM-VSS	N/A
Vinyl Siding Shield Plate	N/A	4DT-VSP	N/A	N/A	SV4VS	N/A	N/A

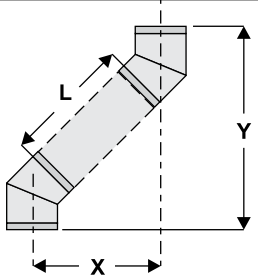
Snorkel Termination 14"	46DVA-SNK14	N/A	N/A	N/A	N/A	TM-4ST14	N/A
Snorkel Termination 36"	N/A	N/A	N/A	N/A	N/A	TM-4ST36	N/A

Wall Firestop	46DVA-WFS	N/A	N/A	N/A	N/A	TM-4TR	VDV-FS04
---------------	-----------	-----	-----	-----	-----	--------	----------

\* Not available from Regency

FPI			
946-506/P	Vent Guard (Optional) for AstroCap	946-205	Vinyl Siding Shield for Riser Vent Terminal
**510-994	Rigid Pipe Adaptor (Must use with all rigid piping)	946-208/P	Vent Guard (Optional) for Riser Vent Terminal
640-530/P	Riser Vent Terminal	946-523/P	AstroCap Horizontal Cap
		946-206	Vinyl Siding Standoff for AstroCap

**Note:** When using Metal-Fab Sure Seal Rigid Piping - please note that the Adaptor (4DDA) must be used in conjunction with FPI Rigid Pipe Adaptor (510-994).

Offset Pipe Selection: Use this table to determine offset pipe lengths.				For specific instructions on venting components - visit the manufacturers website listed below.
Pipe Length (L)	4" x 6-5/8" Venting			
	Run (X)	Rise (Y)		
0" (0mm)	4-7/8" (124mm)	13-7/8" (340mm)		Simpson Direct Vent Pro: <a href="http://www.duravent.com">www.duravent.com</a>
6" (152mm)	8" (203mm)	16-1/2" (419mm)		Selkirk Direct-Temp: <a href="http://www.selkirkcorp.com">www.selkirkcorp.com</a>
9" (229mm)	10-1/8" (257mm)	18-5/8" (473mm)		American Metal Products: <a href="http://www.americanmetalproducts.com">www.americanmetalproducts.com</a>
12" (305mm)	12-1/4" (311mm)	20-3/4" (527mm)		Metal-Fab Sure Seal: <a href="http://www.mtlfab.com">www.mtlfab.com</a>
24" (610mm)	20-5/8" (524mm)	29-1/8" (740mm)		Security Secure Vent: <a href="http://www.securitychimneys.com">www.securitychimneys.com</a>
36" (914mm)	29" (737mm)	37-1/2" (953mm)		Industrial Chimney Company: <a href="http://www.icc-rsf.com">www.icc-rsf.com</a>
48" (1219mm)	37-7/16" (951mm)	45-15/16" (1167mm)		Olympia Ventis DV: <a href="http://www.olympiachimney.com">www.olympiachimney.com</a>

**Note:** Horizontal runs of vent must be level, or have a 1/4" rise for every 1 foot of run towards the termination. Never allow the vent to run downward - this could cause high temperatures and may present a possible fire hazard.

## Wall Mount On / Off Switch and Battery Holder Installation

Required for all installations

### IMPORTANT INSTALLATION NOTE:

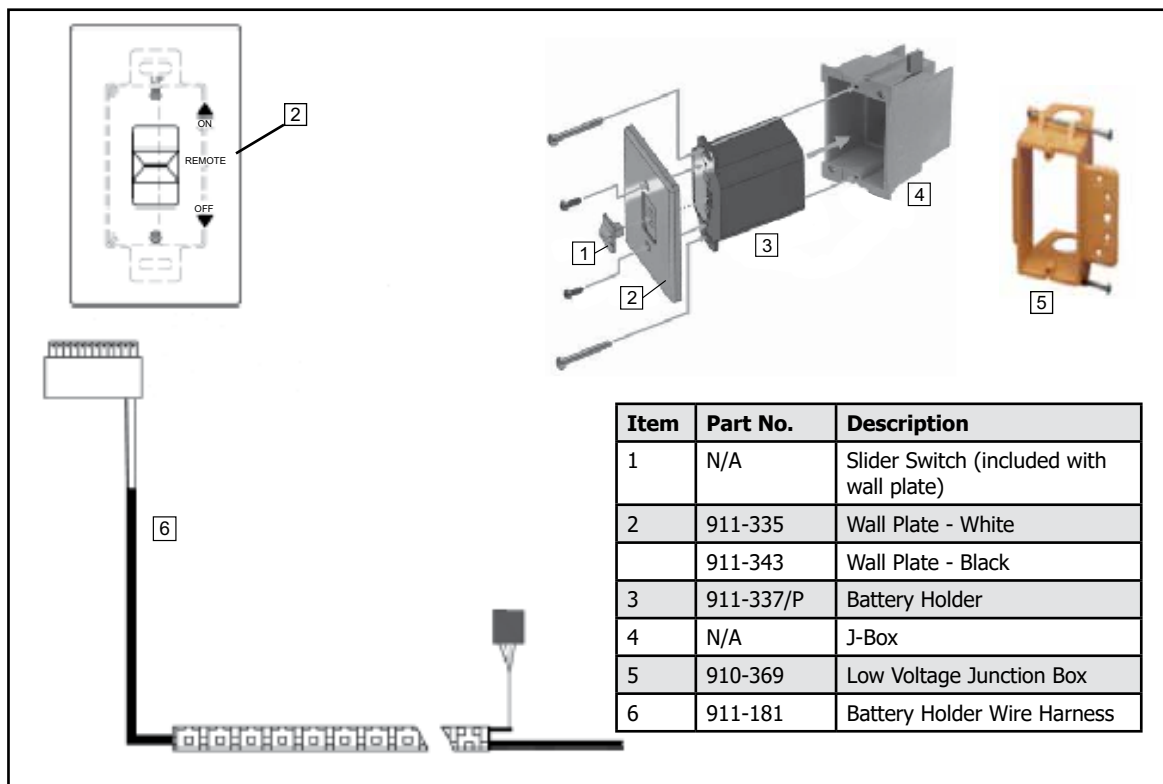
The Battery Holder must be placed inside the supplied (Low Voltage) junction type wall box and installed into the wall only.

**DO NOT INSTALL WITHIN THE CONFINES OF THE FIREPLACE  
SWITCH MUST BE ACCESSIBLE**

### Battery Holder Installation

1. Install the low voltage junction box to the framing, at desired location within 10-1/2 ft. from fireplace.
2. Feed the 6 pin connector wiring harness through the opening at back of junction box. The wiring harness is located near the gas valve and will need to be routed to the exterior of the fireplace from either the left or right hand side prior to finishing.
3. Connect the 6 pin connector to the back of the Battery Holder.
4. Install the Battery Holder in the Low Voltage Junction box.
5. Install batteries only if 120 volt power will not be used. Batteries are only used if power is lost within the home and serve as a secondary power source. Insert the 4 AA type batteries in the battery compartment with the correct polarity.
6. Place the slider into the cover plate.
7. Put the Battery Holder switch in the "OFF" position, to allow correct lineup for slider switch.
8. Make sure the Battery Holder and cover plate words "ON" and "UP" are on the same side.
9. Align the slider with the switch on the Battery Holder and couple the switch into the slider.
10. Align the screw holes.
11. Using the two (2) screws provided secure the cover plate to the Battery Holder.
12. For coding instructions, see full details in this manual.

### Proflame Battery Holder



# installation

## Vent Restrictor Position

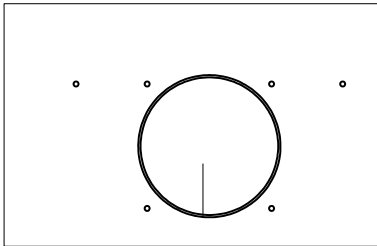
Vent restriction is required for certain venting installations, see the diagrams in the "Venting Arrangements" section to determine if they are required for your installation.

The Vent Restrictor plate is packed in the instruction manual package.

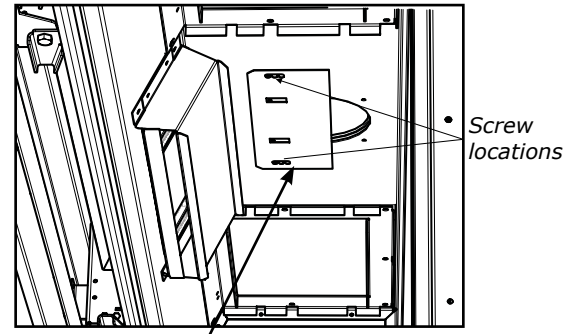
To set the vent restriction as indicated in the venting arrangements diagrams, refer to the following instructions;

1. Remove the safety glass and firebox glass - see instructions in this manual.
2. Remove the screws that hold the vent restrictor plate in place (see Diagram 1)
3. Adjust the vent restrictor plate to the required vent restrictor position as per the diagrams shown.
4. Once the vent restrictor plate is in the required position, secure with screws.

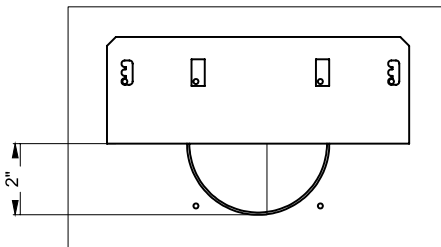
### Vent Restrictor Positions



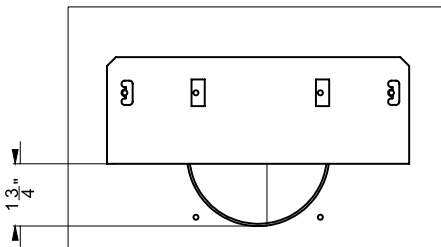
Set 0 (Full open) Factory set



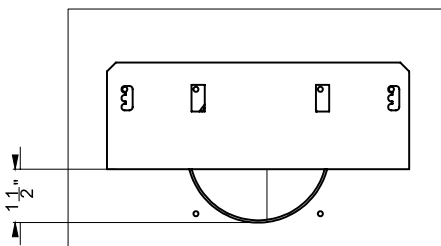
Vent restrictor location - inside top of firebox  
Diagram 1



Set 1 (Vent restrictor at 2" - 51mm)



Set 2 (Vent restrictor at 1.75" - 44.5mm)



Set 3 (Vent restrictor at 1.5" - 38 mm)

**Horizontal Terminations - Flex Vent 4" x 6-7/8" (102mm x 175mm)**

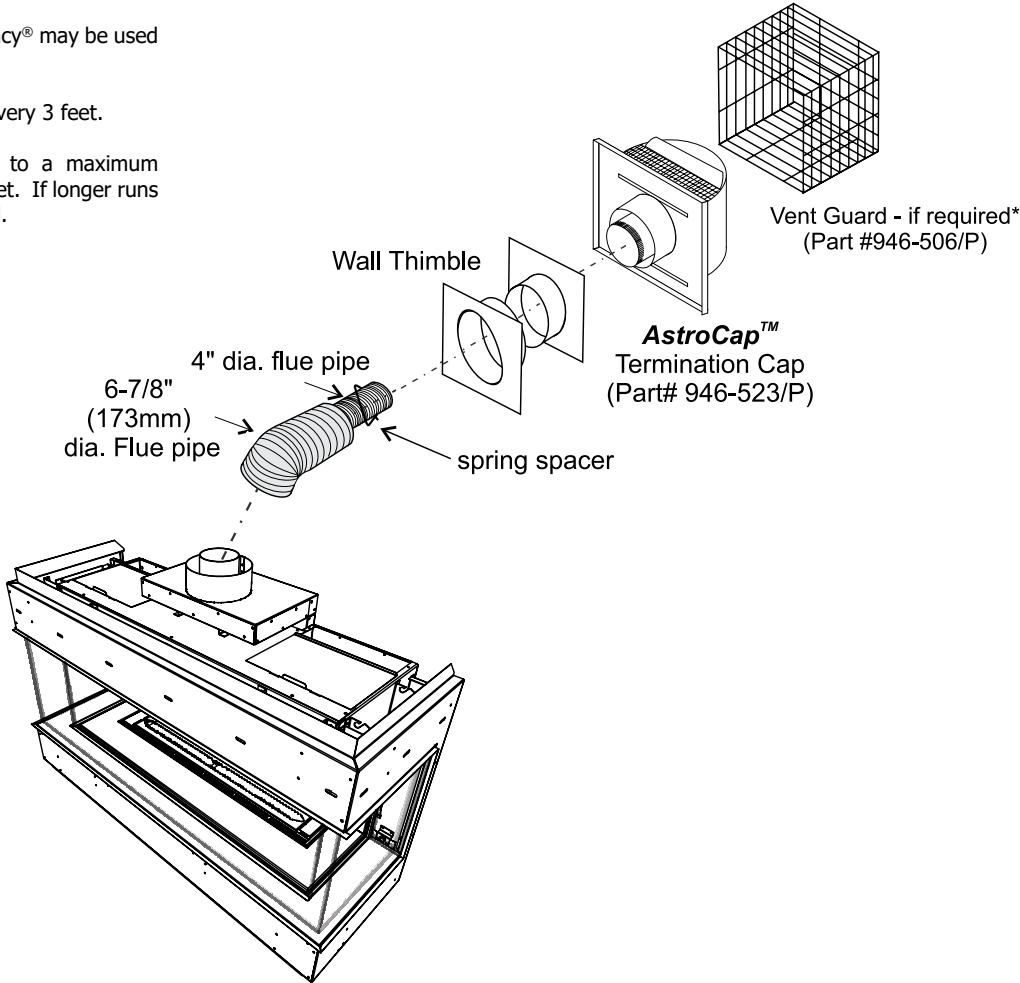
These venting systems, in combination with the CB40E Direct Vent Gas Fireplace, has been tested and listed as a direct vent heater system by Warnock Hersey/ Intertek. The location of the termination cap must conform to the requirements in the Vent Terminal Locations diagram in "Exterior Vent Termination Locations" section.

**Regency® Direct Vent (Flex) System Termination Kits** includes all the parts needed to install the CB40E using a flexible vent.

FPI Kit #	Length	Contains:
#946-513	2 Feet	<ol style="list-style-type: none"> <li>1. 6-7/8" (178 mm) flexible outer liner (Kit length)</li> <li>2. 4" (102 mm) flexible inner liner (Kit length)</li> <li>3. spring spacers</li> <li>4. thimble</li> <li>5. <b>AstroCap</b> termination cap</li> <li>6. screws</li> <li>7. tube of Mill Pac</li> <li>8. plated screws</li> <li>9. S.S. screws #8 x 1-1/2" (38mm) drill point</li> </ol>
#946-515	4 Feet	
#946-516	10 Feet	

**Notes:**

1. Liner sections should be continuous without any joints or seams.
2. Only Flex pipe purchased from Regency® may be used for Flex installations.
3. Horizontal vent must be supported every 3 feet.
4. Flex system can only be used up to a maximum continuous vent length of up to 10 feet. If longer runs are required, rigid pipe must be used.



# installation

## Venting Introduction

The CB40E uses the "balanced flue" technology Co-Axial system. The inner liner vents products of combustion to the outside while the outer liner draws outside combustion air into the combustion chamber thereby eliminating the need to use heated room air for combustion and losing warm room air up the chimney.

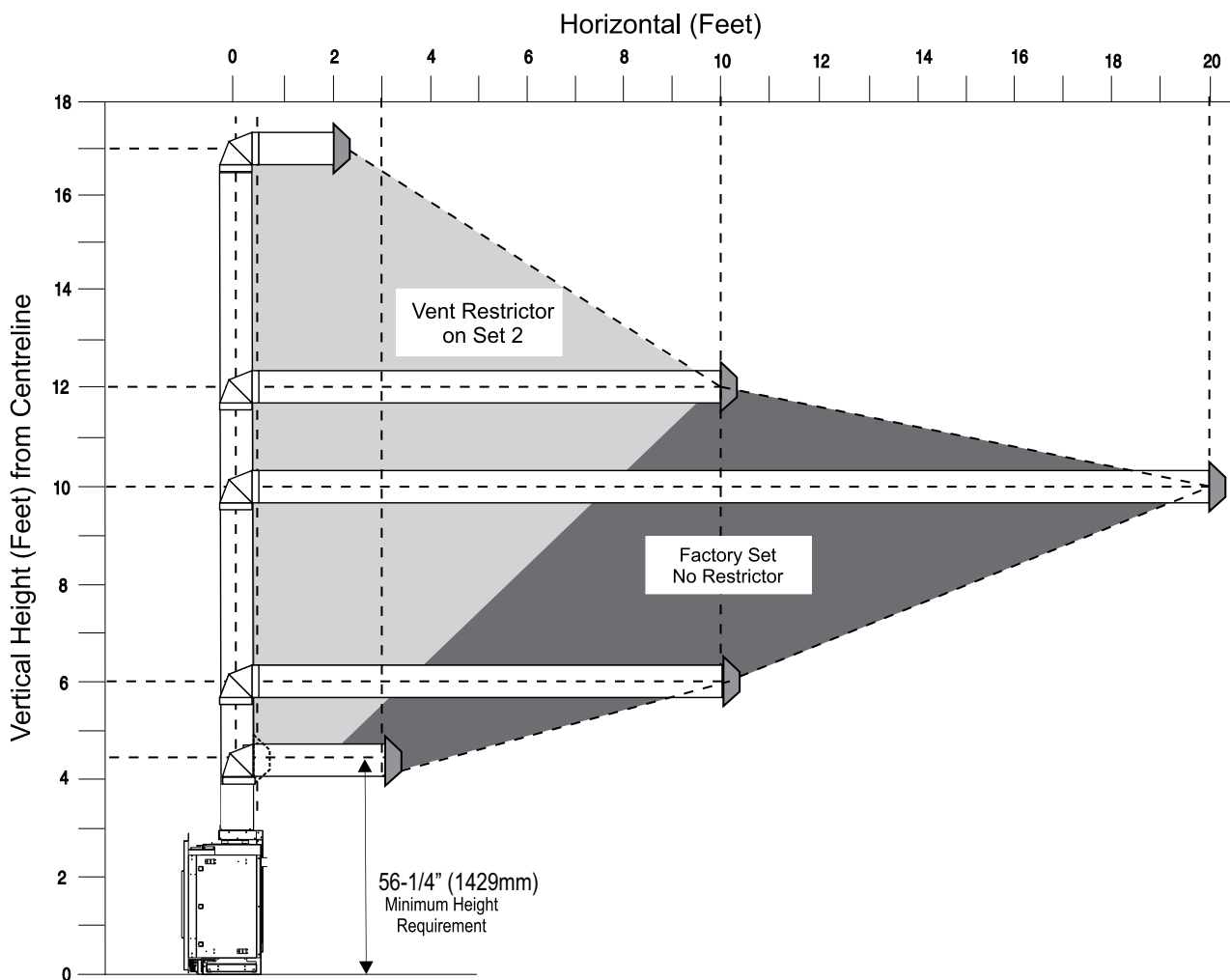
**Note:** These flue pipes must not be connected to any other appliance.

The gas appliance and vent system must be vented directly to the outside of the building, and never be attached to a chimney serving a separate solid fuel or gas burning appliance. Each direct vent gas appliance must use its own separate vent system. Common vent systems are prohibited.

## Venting Arrangement for Horizontal Terminations (Rigid/Flex Pipe)

The diagram shows all allowable combinations of vertical runs with horizontal terminations, using one 90° (two 45° elbows equal one 90° elbow).

**Note:** Must use optional rigid pipe adapter (Part# 510-994) when using Rigid Pipe Venting Systems.



### VENT RESTRICTOR SETTING:

**Vent restrictor factory set at Set 0.**

Refer to the "Vent Restrictor Position" section for details on how to change the vent restrictor from the factory setting of Set 0 to Set 2 if required.

**Note:** For horizontal terminations the Regency Direct Vent Flex System may be used for installations with a maximum continuous vent length of up to 10 feet. If longer runs are required, rigid pipe must be used.

- Maintain clearances to combustibles as listed in "Clearances" section
- Horizontal vent must be supported every 3 feet.
- Firestops are required at each floor level and whenever passing through a wall.
- A vent guard should be used whenever the termination is lower than the specified minimum or as per local codes.
- Flex system can only be used up to 10 feet - otherwise rigid venting must be used.



**Horizontal Terminations - Rigid Pipe 4" x 6-5/8" (102mm x 168mm)**

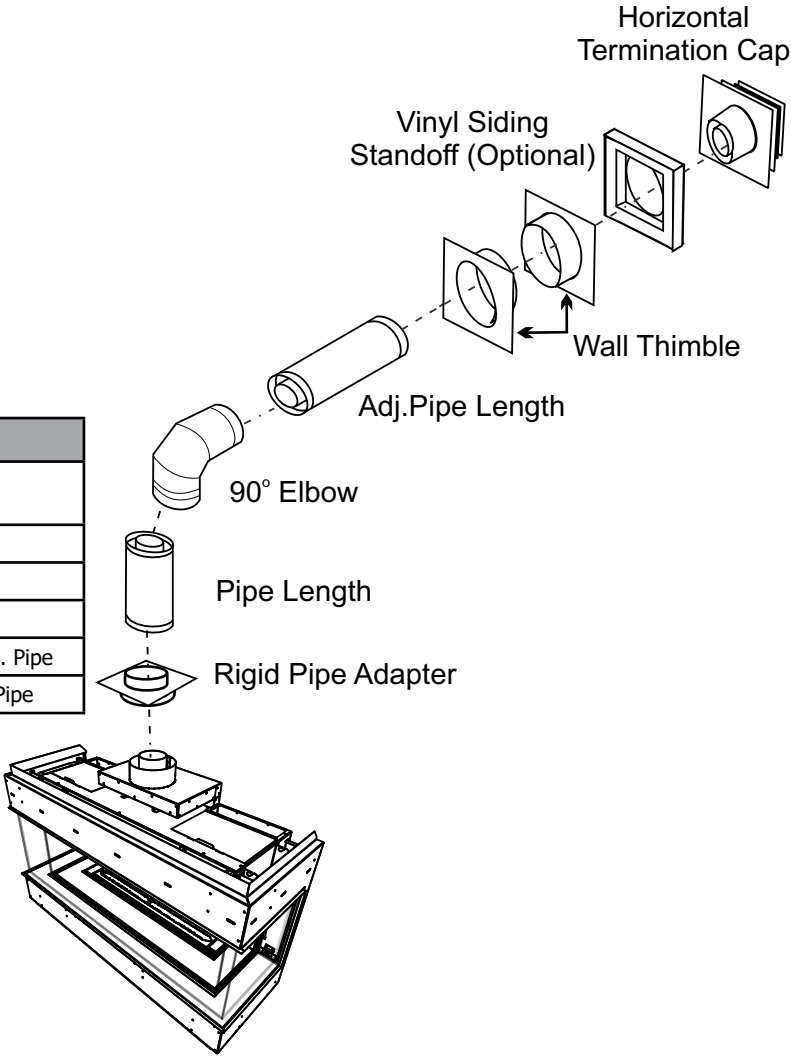
The minimum components required for a basic horizontal termination are:

- 1 Horizontal Termination Cap
- 1 Rigid Pipe Adaptor (510-994)
- 1 Wall Thimble
- 1 Length of pipe to suit wall thickness (see chart)

Wall thickness is measured from the back standoffs to the inside mounting surface of termination cap. For siding other than vinyl furring strips may be used, instead of the vinyl siding standoff, to create a level surface to mount the vent terminal. The Terminal must not be recessed into siding. Measure the wall thickness including furring strips.

If a Vinyl Siding Standoff is required (it must be used with vinyl siding), measure to outside surface of wall without siding and add 2 inches.

Flat Wall Installation	
Wall Thickness (inches)	Vent Length Required (inches)
4" - 5-1/2" (102 - 140 mm)	6" (152mm)
7" - 8-1/2" (178 - 216 mm)	9" (229mm)
10" - 11-1/2" (254 - 292 mm)	12" (305mm)
9" - 14-1/2" (229 - 368 mm)	11" - 14-5/8" (279 - 371mm) Adj. Pipe
15" - 23-1/2" (381 - 597 mm)	17" - 24" (432 - 610mm) Adj. Pipe



**WARNING:**

Do not combine venting components from different venting systems.

Use of the the AstroCap™ and FPI Riser is acceptable with all systems.

This product has been evaluated by Intertek for using a Rigid Pipe Adaptor in conjunction with Duravent Direct-Vent, Selkirk Direct-Temp, Ameri Vent Direct Venting, ICC Excel Direct, Olympia Chimney and Security Secure Vent systems. Use of these systems with the Rigid Pipe adaptor is deemed acceptable and does not affect the Intertek WHI listing of components.

**When using Rigid Vent other than Simpson Dura-Vent, 3 screws must be used to secure rigid pipe to adaptor.**

The FPI AstroCap™ and FPI Riser Vent terminal are certified for installations using FPI venting systems as well as Simpson Dura-Vent® Direct Vent, American Metal Products Ameri Vent Direct Vent, Security Secure Vent®, ICC Excel, Selkirk Direct-Temp and Olympia Chimney. AstroCap™ is a proprietary trademark of FPI Fireplace Products International Ltd. Dura-Vent® and Direct Vent are registered and/or proprietary trademarks of Simpson Dura-Vent Co. Inc.

# installation

## Horizontal Terminations - Rigid/Flex Pipe 4" x 6-5/8" (102mm x 168mm)

The diagrams below shows examples of horizontal termination arrangements using one, two, or three 90° elbows (two 45° elbows equal one 90° elbow)

1. A maximum of three 90° elbows are permitted.

2. Minimum distance between elbows is 1 ft. (305mm).

- Maintain clearances to combustibles as listed in the "Clearances" section.
- Horizontal vent must be supported every 3 feet.
- Firestops are required at each floor level and whenever passing through a wall.
- Must use optional rigid pipe adaptor (Part# 510-994) when using rigid pipe vent systems.
- A vent guard should be used whenever the termination is lower than the specified minimum or as per local codes.
- Flex system can only be used up to 10 feet - otherwise rigid venting must be used.

### Horizontal Venting with Two (2) 90° Elbows

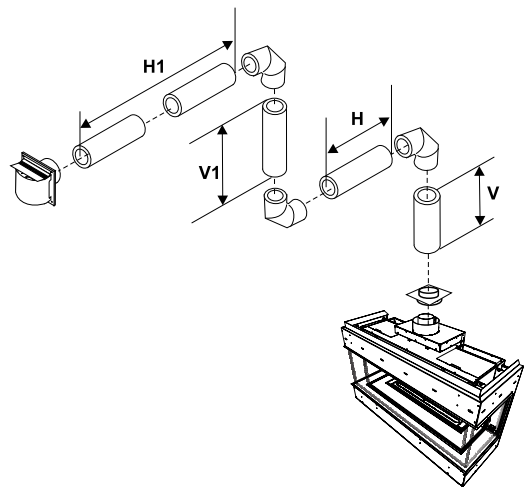
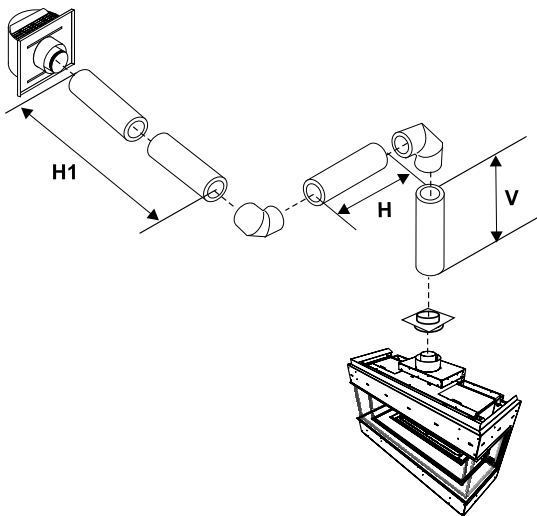
One 90° elbow = Two 45° elbows.

Option	V	H + H1	With these options, maximum total pipe length is 30 feet with minimum of 6 feet total vertical and maximum 8 feet total horizontal.  <b>Please note minimum 1 foot between 90° elbows is required.</b>
A)	1' Min.	2' Max.	
B)	2' Min.	4' Max.	
C)	3' Min.	5' Max.	
D)	4' Min.	6' Max.	
E)	5' Min.	7' Max.	
F)	6' Min.	8' Max.	
Restrictor Set 0 - Factory Setting			

### Horizontal Venting with Three (3) 90° Elbows

One 90° elbow = Two 45° elbows.

Option	V	H	V + V1	H + H1	With these options, max. total pipe length is 30 feet with min. of 12 feet total vertical and max. 9 feet total horizontal.  <b>Please note min. 1 foot between 90° elbows is required.</b>
A)	1' Min.	1' Max.	2' Min.	2' Max.	
B)	1' Min.	2' Max.	3' Min.	3' Max.	
C)	2' Min.	2' Max.	5' Min.	4' Max.	
D)	3' Min.	2' Max.	7' Min.	5' Max.	
E)	4' Min.	3' Max.	9' Min.	6' Max.	
F)	5' Min.	4' Max.	10' Min.	7' Max.	
G)	6' Min.	5' Max.	11' Min.	8' Max.	
H)	7' Min.	6' Max.	12' Min.	9' Max.	
Restrictor Set 0 - Factory Setting					



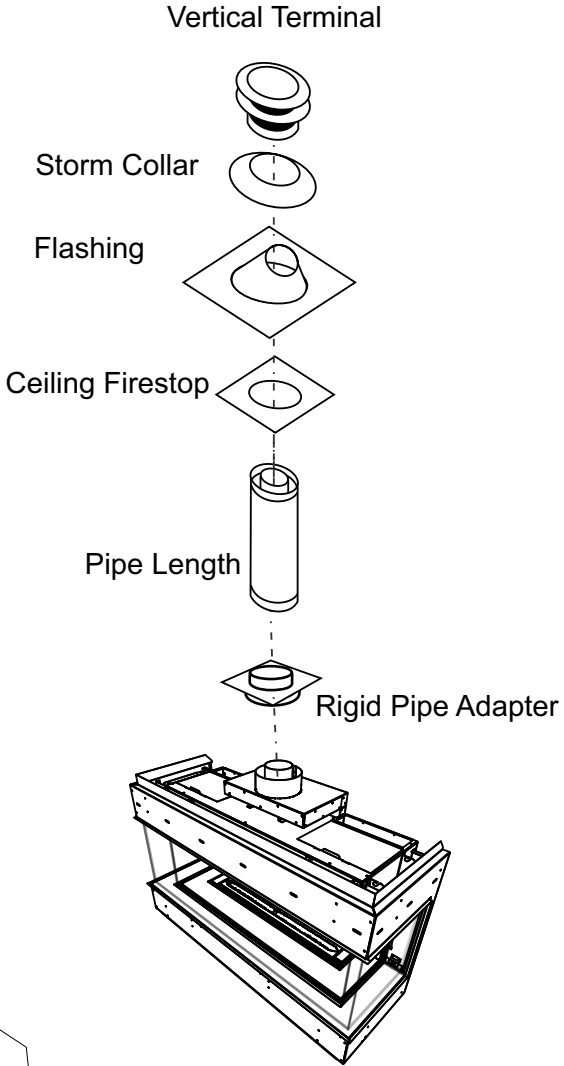
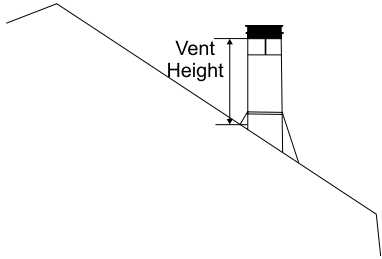
**Vertical Terminations - Rigid Pipe 4" x 6-5/8" (102mm x 168mm)**

The minimum components required for a basic vertical termination are:

- 1 Vertical Termination Cap
- 1 Rigid Pipe Adaptor (510-994)
- 1 Ceiling Firestop
- 1 Flashing
- 1 Storm Collar
- 1 Length of pipe to suit wall thickness (see chart)

Galvanized pipe is desirable above the roofline due to its higher corrosion resistance. Continue to add pipe sections through the flashing until the height of the vent cap meets the minimum height requirements specified in table below or local codes. Note that for steep roof pitches, the vertical height must be increased. A poor draft, or down drafting can result from high wind conditions near big trees or adjoining roof lines, in these cases, increasing the vent height may solve the problem.

Roof Pitch	Minimum Vent Height	
	Feet	Meters
flat to 7/12	2	0.61
over 7/12 to 8/12	2	0.61
over 8/12 to 9/12	2	0.61
over 9/12 to 10/12	2.5	0.76
over 10/12 to 11/12	3.25	0.99
over 11/12 to 12/12	4	1.22
over 12/12 to 14/12	5	1.52
over 14/12 to 16/12	6	1.83
over 16/12 to 18/12	7	2.13
over 18/12 to 20/12	7.5	2.29
over 20/12 to 21/12	8	2.44



**WARNING:**

Do not combine venting components from different venting systems.

Use of the the AstroCap™ and FPI Riser is acceptable with all systems.

This product has been evaluated by Intertek for using a Rigid Pipe Adaptor in conjunction with Dura-vent Direct-Vent, Selkirk Direct-Temp, Ameri Vent Direct Venting, ICC Excel Direct, Olympia Chimney, and Security Secure Vent systems. Use of these systems with the Rigid Pipe adaptor is deemed acceptable and does not affect the Intertek WHI listing of components.

**When using Rigid Vent other than Simpson Dura-Vent, 3 screws must be used to secure rigid pipe to adaptor.**

The FPI AstroCap™ and FPI Riser Vent terminal are certified for installations using FPI venting systems as well as Simpson Dura-Vent® Direct Vent, American Metal Products Ameri Vent Direct Vent, Security Secure Vent®, ICC Excel, Selkirk Direct-Temp and Olympia Chimney. AstroCap™ is a proprietary trademark of FPI Fireplace Products International Ltd. Dura-Vent® and Direct Vent are registered and/or proprietary trademarks of Simpson Dura-Vent Co. Inc.

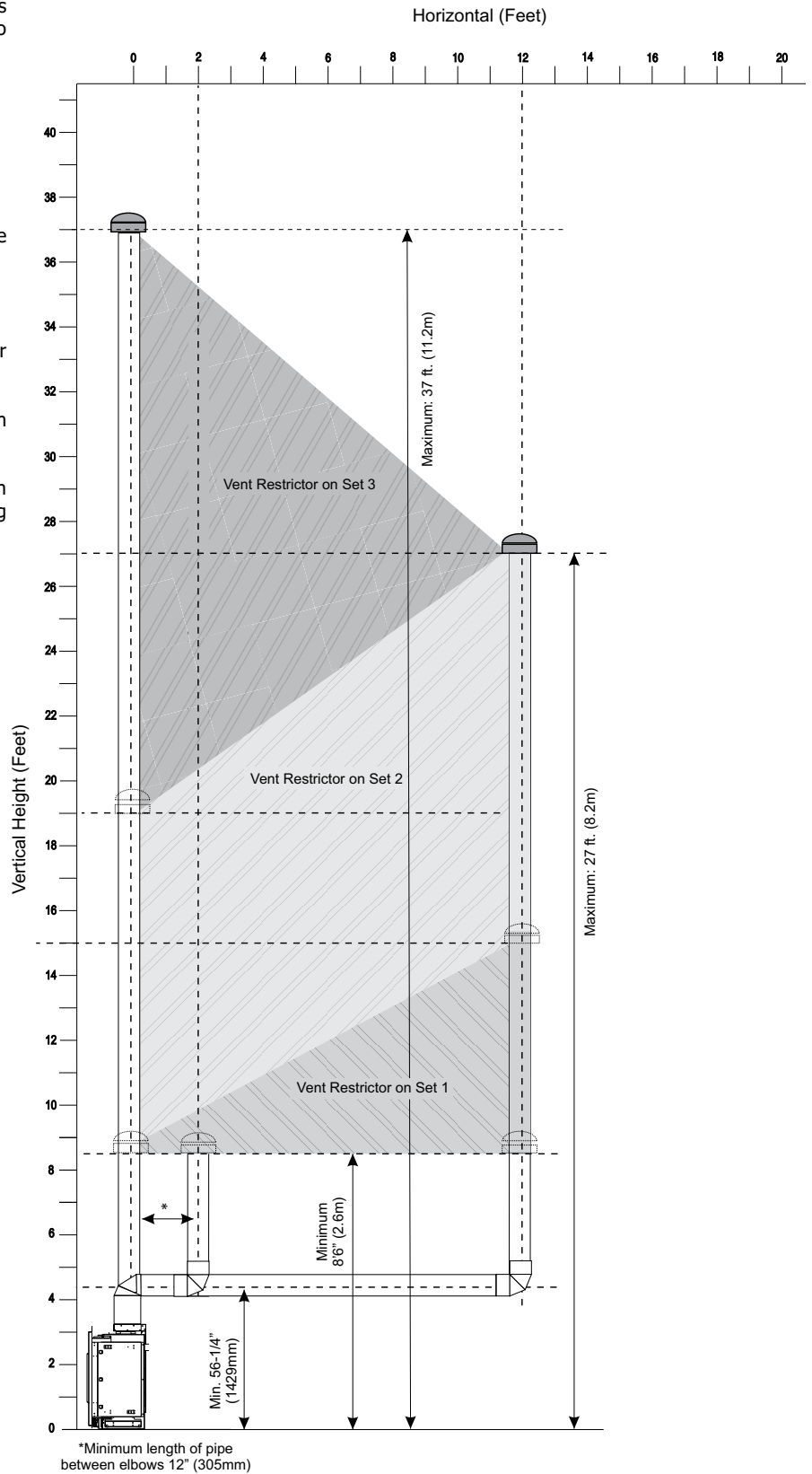
# installation

## Venting Arrangement for Vertical Terminations - Straight Vertical Venting and/or with a Max. of Two (2) 90° Elbows (1 - 90° = 2 - 45°)

The shaded area in the diagram shows all allowable combinations of straight vertical and offset to vertical terminations, using two 90° elbows, with **Rigid Pipe Venting Systems**.

Two 45° elbows equal to one 90° elbow.

- Vent must be supported at offsets.
- Minimum distance between elbows is 1 ft. (305mm).
- Maintain clearances to combustibles as listed in the "Clearances" section.
- Horizontal vent must be supported every 3 feet.
- Firestops are required at each floor level and whenever passing through a wall.
- Must use optional rigid pipe adaptor (Part# 510-994) when using rigid pipe vent systems.
- Refer to the "Vent Restrictor Position" section for details on how to change the vent restrictor from the factory setting of Set 0 through to Set 3 if required.



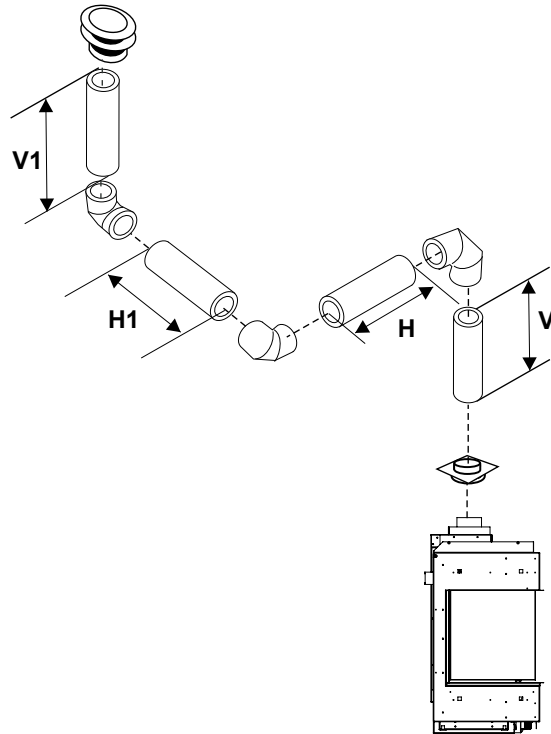
**Vertical Terminations - Rigid Pipe 4" x 6-5/8" (102 mm x 168 mm)**

- Two 45° elbows equal to one 90° elbow. Maximum of six 45° elbows allowed.
- Vent must be supported at offsets.
- Minimum distance between elbows is 1 ft. (305mm).
- Maintain clearances to combustibles as listed in the "Clearances" section.
- Horizontal vent must be supported every 3 feet.
- Firestops are required at each floor level and whenever passing through a wall.
- Must use optional rigid pipe adaptor (Part# 510-994 when using rigid pipe vent systems)

**Vertical Venting with Three (3) 90° Elbows**

**One 90° elbow = Two 45° elbows.**

Option	V	H + H1	V + V1	
A)	1' Min.	2' Max	3' Min.	With these options, max. total pipe length is 30 feet with min. of 10 feet total vertical and max. 8 feet total horizontal.
B)	2' Min.	3' Max	4' Min.	
C)	3' Min.	4' Max	6' Min.	
D)	4' Min.	5' Max	7' Min.	
E)	5' Min.	6' Max	8' Min.	
F)	6' Min.	7' Max	9' Min.	
G)	7' Min.	8' Max	10' Min.	
Lengths do not include elbow indicated				<b>Please note min. 1 foot between 90° elbows is required.</b>
Restrictor Set 0 - Factory Setting				



# installation

## Horizontal Termination - 4" x 6-5/8" (102 mm x 168 mm) Venting (Rigid Vent Systems)

### Minimum Vent Clearances to Combustibles

\* Clearances noted below must be maintained; except when passing through a wall, ceiling or at the termination where the use of a firestop or wall thimble reduces clearance to 1-1/2" (38mm).

Horizontal Top*	3" (76mm)*
Horizontal Side	2" (51mm)
Horizontal Bottom	2" (51mm)
Vertical Vent	2" (51mm)

Below are the recommended framing dimensions (inside measurements) for the 4" x 6-5/8" (102 mm x 168 mm) rigid vent terminations - for use with a firestop or wall thimble.

Recommended Framed Opening Size	
Vent Size	Framing Size
4" (102 mm) x 6-5/8" (168 mm)	10" (254mm) x 10" (254mm)

Install the venting system according to the manufacturer's instructions included with the components.

1. Set the unit in its desired location. Check to determine if wall studs or roof rafters are in the way when the venting system is attached. If this is the case, you may want to adjust the location of the unit. Rough in the gas preferably on the right side of the unit and the electrical (junction block is on the left side) on the left.
2. Direct Vent pipe and fittings are designed with special twist-lock connections to connect the venting system to the appliance flue outlet. A twist-lock appliance adaptor is required.
3. In conjunction with the Approved Vent system, install the adaptor after the unit is set in its desired location. Put a bead of Mill-Pac inside the outer section of the adapter and a bead of Mill-Pac on the inner collar. Slip the adapter over the existing inner and outer flue collar. Fasten to the outer collar only with the 3 supplied screws (drilling pilot holes will make this easier).
4. Level the fireplace and fasten it to the framing using nails or screws through the top and side nailing strips.

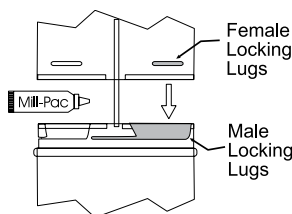


Diagram 1

5. Assemble the desired combination of pipe and elbows to the appliance adaptor and twist-lock for a solid connection.

**Note:** For best results and optimum performance with each approved venting system, it is highly recommended to apply Mill-Pac sealant (supplied) to every inner pipe connection. Failure to do so may result in drafting or performance issues not covered under warranty.

**Horizontal runs of vent must be supported every 3 feet (0.9meter). Wall straps are available for this purpose.**

6. Mark the wall for a square hole - see chart to left for size. The center of the square hole should line up with the center-line of the horizontal pipe. Cut and frame the square hole in the exterior wall where the vent will be terminated. See diagram 2 for center line requirements.

If the wall being penetrated is constructed of non-combustible material, i.e. masonry block or concrete, an 8" (203mm) diameter hole is acceptable.

**Note:**

- a) The horizontal run of vent must be level, or have a 1/4 inch rise for every 1 foot of run towards the termination. Never allow the vent to run downward. This could cause high temperatures and may present the possibility of a fire.
- b) The location of the horizontal vent termination on an exterior wall must meet all local and national building codes.

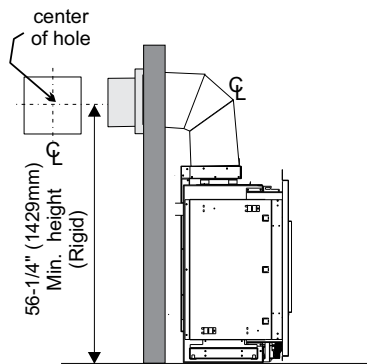


Diagram 2

7. Ensure that the pipe clearances to combustible materials are maintained (Diagram 3). Install the termination cap.

**Note:** If installing termination on a vinyl siding covered wall, a vinyl siding standoff or furring strips must be used to ensure that the termination is not recessed into the siding.

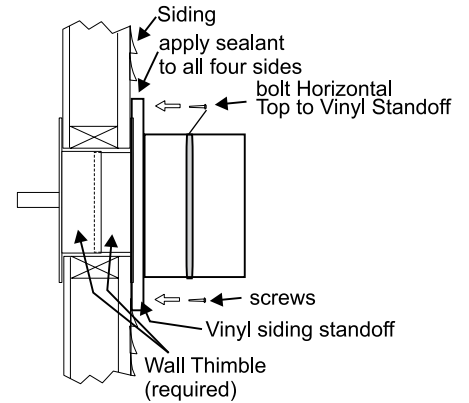


Diagram 3

The four wood screws provided should be replaced with appropriate fasteners for stucco, brick, concrete, or other types of sidings.

8. Before connecting the horizontal run of vent pipe to the vent termination, slide the Wall Thimble over the vent pipe. The wall thimble is required for all horizontal terminations.
9. Slide the appliance and vent assembly towards the wall carefully inserting the vent pipe into the vent cap assembly. It is important that the vent pipe extends into the vent cap sufficient distance so as to result in a minimum pipe overlap of 1-1/4 inches (32mm). Secure the connection between the vent pipe and the vent cap.
10. Install wall thimble in the center of the framed hole and attach with wood screws (Diagram 4).

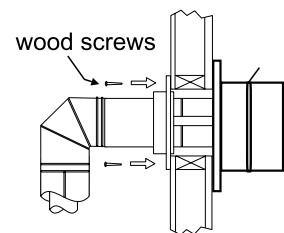


Diagram 4

## Horizontal Termination - 4" x 6-5/8" (102 mm x 168 mm) Venting (Flex Vent Systems)

### Minimum Vent Clearances to Combustibles

\* Clearances noted below must be maintained; except when passing through a wall, ceiling or at the termination where the use of a firestop or wall thimble reduces clearance to 1" (25mm).

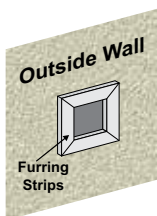
Horizontal Top*	3" (76mm)*
Horizontal Side	2" (51mm)
Horizontal Bottom	2" (51mm)
Vertical Vent	2" (51mm)

Below are the recommended framing dimensions (inside measurements) for the 4" (102mm) x 6-5/8" (168mm) rigid vent terminations - for use with a firestop or wall thimble.

Recommended Framed Opening Size	
Vent Size	Framing Size
4" (102 mm) x 6-5/8" (168 mm)	10" (254mm) x 10" (254mm)

1. Locate the unit in the framing, rough in the gas (preferably on the right side of the unit). Locate the centerline of the termination and mark wall accordingly. Cut an square hole in the wall - see chart (inside dimension).

**Note:** If installing termination on a siding covered wall, a vinyl siding standoff or vinyl furring strips must be used to ensure that the termination is not recessed into the siding.



2. Level the fireplace and fasten it to the framing using nails or screws through the nailing strips.
3. Assemble the vent assembly by applying Mill Pac to the inner flue collar of the termination and slipping the inner flex liner over it at least 1-3/8" (35mm). Fasten with the 3 screws (drilling pilot holes will make this easier). Apply Mill-Pac to the outer flex pipe and slip it over the outer flue collar of the vent terminal at least 1-3/8" (35mm) and fasten with the 3 screws.

**NOTE:** Horizontal sections must be supported at intervals not exceeding 3 feet (0.9 meter). (Flame picture and performance will be affected by sags in the liner).

4. Separate the 2 halves of the wall thimble and securely fasten the one with the tabs to the outside wall making sure that the tabs are on top and bottom. Fasten the other thimble half to the inside wall. The thimble halves slip inside each other and can be adjusted for 2 x 4 or 2 x 6 walls.

5. Slip the assembled liner and termination assembly through the thimble making sure the termination cap faces up (there are markings on the cap indicating which way is up). This will position the termination cap with proper down slope for draining water. Fasten the cap to the outer wall with the 4 supplied screws.

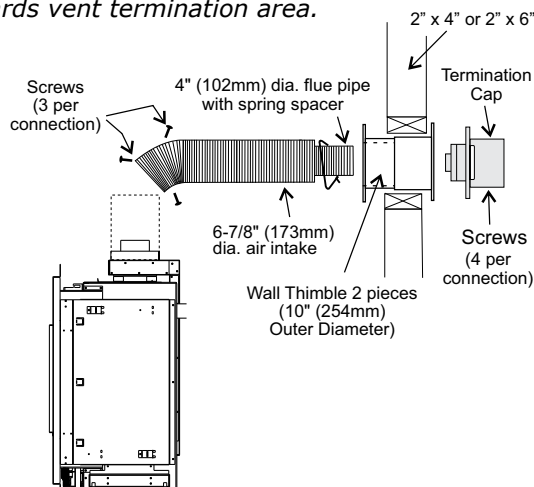
6. Pull the centre inner and outer flex liner out enough to slip over the flue collars of the fireplace. (You may wish to cut the liner shorter to make it more workable.) Do not bend liner more than 90°. The liners must slip over the collars a minimum of 1-3/8" (35mm).

7. Apply Mill Pac over the fireplace inner flue collar and slip the inner flex liner down over it and attach with 3 supplied screws.

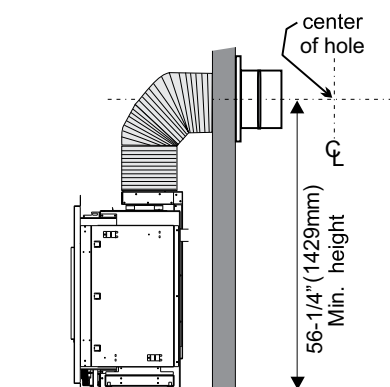
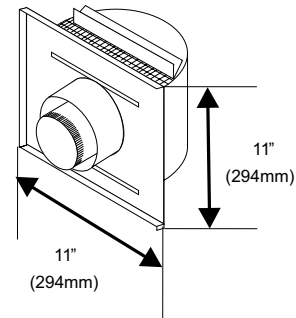
8. Do the same with the outer flue collar and outer flex liner.

9. Apply a bead of silicone between the thimble and termination and around the outer edge of the terminal at the wall in order to keep the water out.

**IMPORTANT:** Do not locate termination hood where excessive snow or ice buildup may occur. Be sure to check vent termination area after snow falls, and clear to prevent accidental blockage of venting system. When using snow blowers, make sure snow is not directed towards vent termination area.



## ASTROCAP DIMENSIONS (946-523/P)



**NOTE:** A minimum of 1' (305mm) vertical off the top of the unit is required before any horizontal runs can start.

# installation

## Dura-Vent Horizontal Terminations

Install the vent system according to the manufacturer's instructions included with the components.

- 1) Set the unit in its desired location. Check to determine if wall studs or roof rafters are in the way when the venting system is attached. If this is the case, you may want to adjust the location of the unit. Rough in the gas preferably on the right side of the unit and the electrical (junction block is on the left side) on the left.
- 2) Direct Vent pipe and fittings are designed with special twist-lock connections to connect the venting system to the appliance flue outlet. A twist-lock appliance adaptor is an available option that must be used in conjunction with the Simpson Dura-Vent Direct Vent system.
- 3) Put a bead of Mill-Pac inside the outer section of the adapter and on the inner collar. Slip the adapter over the existing inner and outer flue collar and fasten to the outer collar only with the 3 supplied screws (drilling pilot holes will make this easier). Level the fireplace and fasten it to the framing using nails or screws through the nailing strips.
- 4) Assemble the desired combination of pipe and elbows to the appliance adaptor and twist-lock for a solid connection.

**Note:** a) Twist-lock procedure: Four indentations, located on the female ends of pipes and fittings, are designed to slide straight onto the male ends of adjacent pipes and fittings, by orienting the four pipe indentations so they match and slide in to the four entry slots on the male ends, Diagram 1. Push the pipe sections completely together, then twist-lock one section clockwise approximately one-quarter turn, until the two sections are fully locked. The female locking lugs will not be visible from the outside, on the Black Pipe or fittings. They may be located by examining the inside of the female ends.

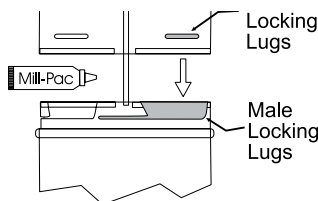


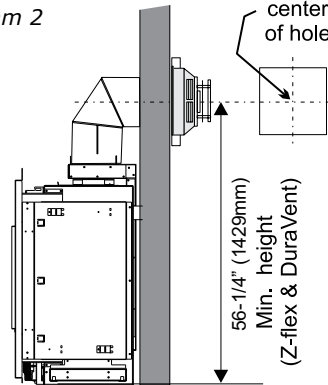
Diagram 1

**NOTE:** For best results and optimum performance with each approved venting system, it is highly recommended to apply "Mill-Pac" sealant (supplied) to every inner pipe connection. Failure to do so may result in drafting or performance issues not covered under warranty.

b) Horizontal runs of vent must be supported every three feet. Wall straps are available for this purpose.

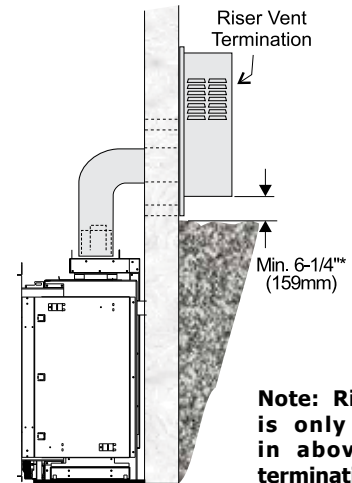
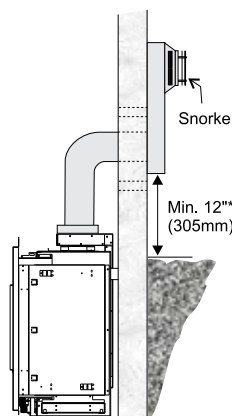
5) Mark the wall for a 10" x 10" square hole. The center of the square hole should line up with the centerline of the horizontal pipe. Cut and frame the 10 inch square hole in the exterior wall where the vent will be terminated. If the wall being penetrated is constructed of non-combustible material, i.e. masonry block or concrete, a 7" (178mm) dia. (7-1/2" (191mm) dia. for flex) hole is acceptable.

Diagram 2



**Note:**

- a) The horizontal run of vent must be level, or have a 1/4 inch rise for every 1 foot of run towards the termination. Never allow the vent to run downward. This could cause high temperatures and may present the possibility of a fire.
- b) The location of the horizontal vent termination on an exterior wall must meet all local and national building codes, and must not be blocked or obstructed. For External Vent Terminal Locations, see the "Exterior Vent Termination Locations" section.
- c) **Snorkel Terminations:** For installations requiring a vertical rise on the exterior of the building, 14-inch and 36-inch tall Snorkel Terminations are available, as well as the standard Riser Vent. Follow the same installation procedures as used for standard Horizontal Termination. NEVER install the snorkel upside down.



**Note: Riser Vent is only for use in above grade terminations.**

Diagram 3a

**\*Diagrams 3 & 4: As specified in CSA B149.1 Installation Code. Local codes or regulations may require different clearances.**

### Below Grade Installation

If the Snorkel Termination must be installed below grade, i.e. basement application, proper drainage must be provided to prevent water from entering the Snorkel Termination. Refer to Diagram 4. Do not attempt to enclose the Snorkel within the wall, or any other type of enclosure.

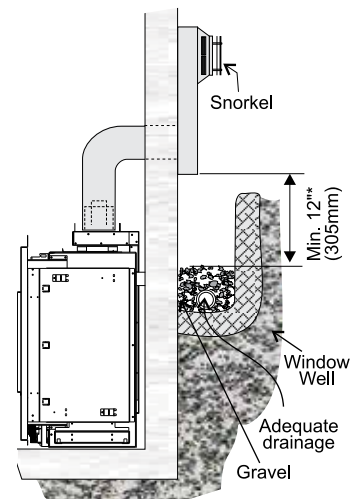


Diagram 4

**NOTE: For Snorkel terminations in ABOVE grade installations, follow national or local code requirements.**

6) The arrow on the vent cap should be pointing up. Insure that the 1-1/2" clearances to combustible materials are maintained (Diagram 4). Install the termination cap. The four wood screws provided should be replaced with appropriate fasteners for stucco, brick, concrete, or other types of sidings.



**Dura-Vent Vertical Termination - 4" x 6-5/8" (102 mm x 168 mm) Venting (Rigid Vent Systems)**

1. Maintain the 1-1/2" (38mm) clearances (air spaces) to combustibles when passing through ceilings, walls, roofs, enclosures, attic rafter, or other nearby combustible surfaces. Do not pack air spaces with insulation. Check "Venting" Sections for the maximum vertical rise of the venting system and the maximum horizontal offset limitations.

2. Set the gas appliance in its desired location. Drop plumb bob down from the ceiling to the position of the appliance flue exit, and mark the location where the vent will penetrate the ceiling. Drill a small hole at this point. Next, drop plumb bob from the roof to the hole previously drilled in the ceiling, and mark the spot where the vent will penetrate the roof.

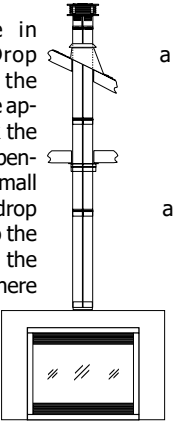


Diagram 1

3. A Firestop spacer must be installed in the floor or ceiling of every level. To install the Firestop spacer in a flat ceiling or wall, cut a 10 inch square hole. Frame the hole as shown in Diagram 2 and install the firestop.

**Note: All vertical terminations are vented using 4" x 6-5/8" (102mm x 168mm) venting and rigid pipe adaptor #510-994.**

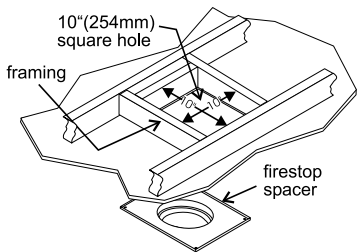
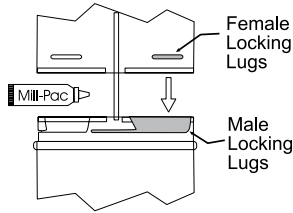


Diagram 2

4. Assemble the desired lengths of pipe and elbows. Ensure that all pipes and elbow connections are in the fully twist-locked position and sealed.



**NOTE: For best results and optimum performance with each approved venting system, it is highly recommended to apply "Mill-Pac" sealant (supplied) to every inner pipe connection. Failure to do so may result in drafting or performance issues not covered under warranty.**

5. Cut a hole in the roof centered on the small drilled hole placed in the roof in Step 2. The hole should be of sufficient size to meet the minimum requirements for clearance to combustibles of 1-1/2" (38mm). Slip the flashing under the shingles (shingles should overlap half the flashing) as per Diagram 3.

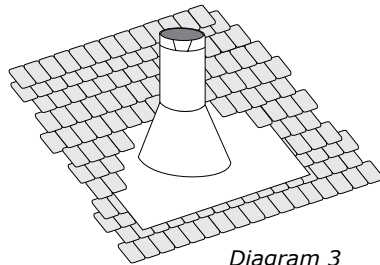


Diagram 3: The upper half of the flashing is installed under the roofing material and not nailed down until the chimney is installed. This allows for small adjustments.

6. Continue to assemble pipe lengths.

**Note: If an offset is necessary in the attic to avoid obstructions, it is important to support the vent pipe every 3 feet, to avoid excessive stress on the elbows, and possible separation. Wall straps are available for this purpose.**

Galvanized pipe is desirable above the roofline due to its higher corrosion resistance. Continue to add pipe sections through the flashing until the height of the vent cap meets the minimum height requirements specified in Dia. 4 or local codes. Note that for steep roof pitches, the vertical height must be increased. A poor draft, or down drafting can result from high wind conditions near big trees or adjoining roof lines, in these cases, increasing the vent height may solve the problem.

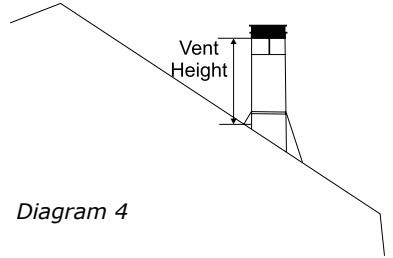


Diagram 4

Roof Pitch	Minimum Vent Height	
	Feet	Meters
flat to 7/12	2	0.61
over 7/12 to 8/12	2	0.61
over 8/12 to 9/12	2	0.61
over 9/12 to 10/12	2.5	0.76
over 10/12 to 11/12	3.25	0.99
over 11/12 to 12/12	4	1.22
over 12/12 to 14/12	5	1.52
over 14/12 to 16/12	6	1.83
over 16/12 to 18/12	7	2.13
over 18/12 to 20/12	7.5	2.29
over 20/12 to 21/12	8	2.44

7. Ensure vent is vertical and secure the base of the flashing to the roof with roofing nails, slide storm collar over the pipe section and seal with a mastic.

8. Install the vertical termination cap by twist-locking it.

*Note: Any closets or storage spaces, which the vent passes through must be enclosed.*

# installation

## Vertical Termination 4" x 6-7/8" (102 mm x 175 mm) Venting - Vertical Flex Vent Kit (946-755)

- Maintain the 1-1/2" (38 mm) clearance (air space) to combustibles when passing through ceilings, walls, floors, enclosures, attic rafters or other nearby combustibles. Do not pack air spaces with insulation. Check Venting sections for the maximum vertical rise of the venting system and the maximum horizontal offset limitations. Ensure that you maintain clearances around enclosures, walls, below or above floors, floor joists, etc. Each appliance has different clearance requirements (top, sides, bottom). See specific appliance manual for details.
- Set the appliance in its desired position. Drop a plumb bob down from the ceiling/floor joist to the position of the appliance flue exit and mark the location where the vent will penetrate the ceiling. Drill a small hole at this point. Next drop a plumb bob from the roof to the hole previously drilled at the ceiling level and mark the spot where the vent will penetrate the roof.
- Cut a hole in the roof centered on the small hole placed in the roof in the previous steps. The hole should be a minimum of 10-1/4 (260 mm) inches. The hole may be round and or square.
- Slip the flashing under the shingles and line up flashing so it is centered to the hole (shingles should overlap half of the flashing) as per Diagram 1.

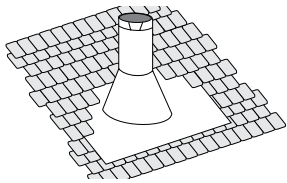


Diagram 1: The upper half of the flashing is installed under the roofing material and not nailed down until the chimney is installed. This allows for small adjustments.

Diagram 1

- A ceiling firestop/firestop spacer must be installed when passing through each floor or ceiling level. To install the ceiling firestop/firestop spacer in a flat ceiling or floor joist cut a 10- 1/4 (260 mm) inch square hole. Frame the hole as show in Diagram 1 and install the ceiling firestop. Slide the top attic insulation spacer onto the top of the attic insulation shield/firestop - See Diagram 1a. Secure with 4 screws/nails. If more than one is required, these can be purchased separately.

**Note:** The ceiling firestop/firestop spacer may be cut down to size if this shield is too high for the application.

*Firestop spacer to prevent debris from falling into the ceiling firestop*

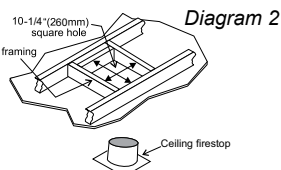


Diagram 2

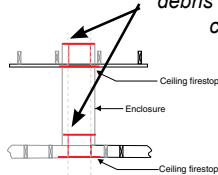


Diagram 2a

- Determine the overall height of the chimney from the top of the appliance to the underside of the flashing. If required cut the flexible inner and outer pipe to the desired length up to a maximum of 20 feet (6.1 m).
- Put a bead of Mill-Pac around the 4 inch (102 mm) collar on the appliance and slide the inner flex pipe over the inner collar of the appliance and secure with a minimum of 3 screws.
- Install 4 inch spacers around 4 inch (102 mm) flex.
- Repeat Step 7 to install the outer pipe to the outer collar of the appliance

**Note:** If an offset is necessary in the attic or floor joists it is important to support the vent pipe every 3 feet (0.91 m) to avoid excessive stress and sagging of the vent pipe. Wall straps are provided (3 in total) for this purpose. All round/plumbers strapping may also be used if further supports are required.

- Attach the rigid pipe section to the adaptor by using Mill-Pac on the inner/ outer pipe. Use 3 screws to secure outer pipe.

- Secure inner flex pipe to pipe adaptor by using Mill-Pac over the adaptor. Slide the inner pipe over adaptor and secure with 3 screws.
- Repeat Step 11 to secure outer flex.
- Slide the finished length up towards the flashing ensuring the length of pipe is a minimum of 2 feet (0,61 m) measured from the top of the roof. Level the chimney and secure using the roof support provided with kit to bottom side of the roof as shown using a minimum of 2 screws per side-see Diagram 3b. See Diagram 4 for roof pitch and height requirements. See Diagram 3a for securing method if 2 ft. (0,61 m) is insufficient and additional lengths are required, this may be purchased separately. See Simpson Duravent components list in the instruction manual for part numbers.

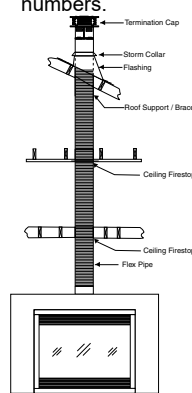


Diagram 3

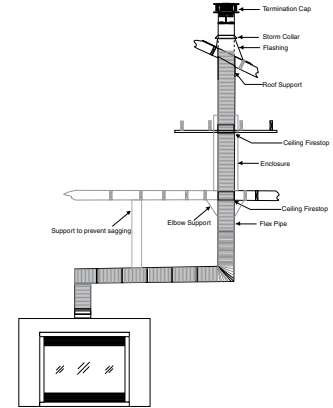


Diagram 3a

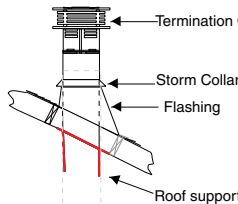


Diagram 3b

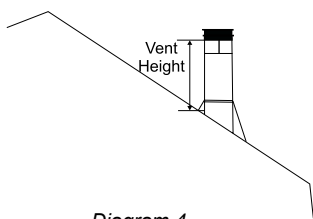


Diagram 4

Roof Pitch	Minimum Vent Height	
	Feet	Meters
flat to 7/12	2	0.61
over 7/12 to 8/12	2	0.61
over 8/12 to 9/12	2	0.61
over 9/12 to 10/12	2.5	0.76
over 10/12 to 11/12	3.25	0.99
over 11/12 to 12/12	4	1.22
over 12/12 to 14/12	5	1.52
over 14/12 to 16/12	6	1.83
over 16/12 to 18/12	7	2.13
over 18/12 to 20/12	7.5	2.29
over 20/12 to 21/12	8	2.44

- Put a bead of caulking on the exterior between the outer pipe and flashing to prevent water from penetrating the chimney system.
- Slide storm collar over pipe length until it reaches the flashing.
- Install termination cap by twist locking it.
- Secure the flashing to the roof using screws

**Note:** Any closets or storage spaces which the vent passes through must be enclosed.

## Vertical Flue Extension Kit (Part #946-756)

### 20 foot (6.1 m) Flex pipe Extension

(Used in conjunction with the 946-755 Vertical Flex kit and 948-367/P flex to flex adaptor).

1. Stretch out both inner 4" (102 mm) and outer 6 7/8" (175 mm) pipe up to a maximum of 20 feet.

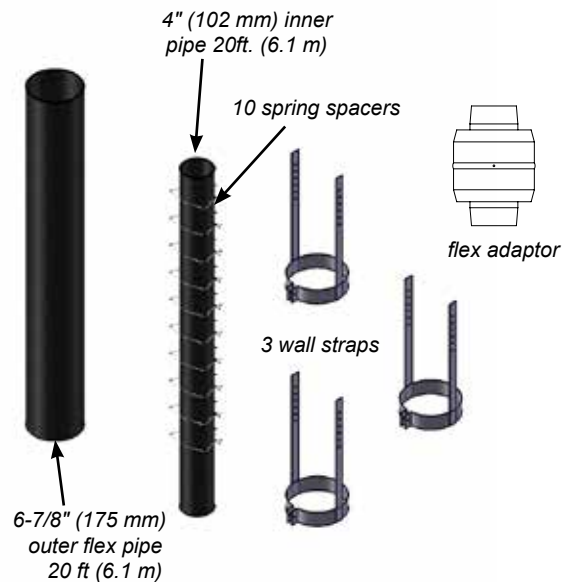
**Note:** The inner and outer pipes may be cut if only a short length is required.

2. Install spring spacers around 4" (102 mm) inner pipe as shown. Slide outer flex pipe over and all the way down the 4" pipe.
3. Apply a bead of Mill Pac around the perimeter of the 4" (102 mm) inner collar of the flex adaptor and slip the 4" (102 mm) inner flex pipe from the Vertical termination kit over the flex adaptor ensuring that the inner flex pipe overlaps the collar by at least 1-3/8" (35 mm). Fasten with 3 screws.
4. Apply a bead of Mill Pac around the perimeter of the 6-7/8" (175 mm) outer collar of the flue adaptor and slip it over the 6-7/8" (175 mm) outer flex pipe ensuring that the outer flex pipe overlaps the collar by at least 1-3/8" (35 mm). Fasten with the 3 screws.
5. Repeat steps to secure the other end of the flex adaptor using the flex kit.

6. See Vertical Vent installation instructions for installation of the complete vent system.

**Note:** If an offset is necessary in the attic or floor joists it is important to support the vent pipe every 3 feet (0.91 m) to avoid excessive stress and sagging of the vent pipe. Wall straps are provided (3 in total) for this purpose.

All round/plumbers strapping may also be used if further supports are required.

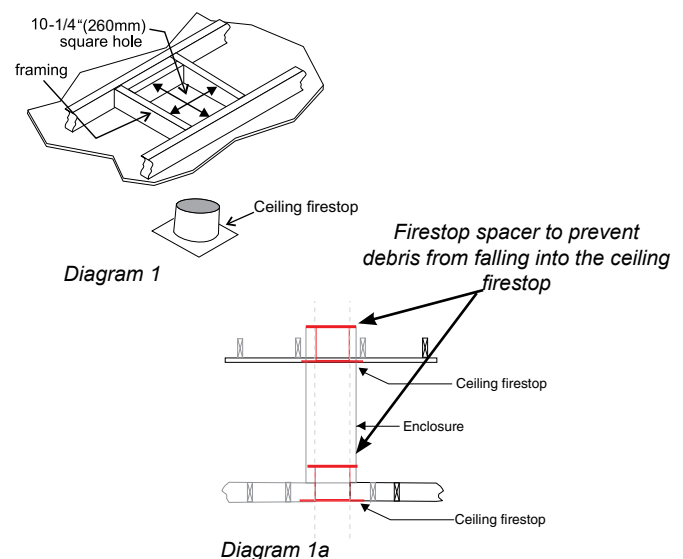


## Ceiling Firestop / Firestop Spacer (Part #946-757)

Used in conjunction with the 946-755 Vertical Flex Kit and the 946-756 Vertical Flex Extension Kit/Horizontal Power Vent Kit.

A ceiling firestop/firestop spacer must be installed when passing through each floor or ceiling level. To install the ceiling firestop/firestop spacer in a flat ceiling or floor joist, cut a 10- 1/4 inch square hole, frame it as show in Diagram 1, and install the ceiling firestop. Slide the top attic insulation spacer onto the top of the attic insulation shield/firestop (see Diagram 1a). Secure with 4 screws/nails. If more than one firestop is required, these can be purchased separately.

**NOTE** • The ceiling firestop/firestop spacer may be cut down to size if the shield is too high for the application.



# installation

CB40E NG SYSTEM DATA	
Min. Supply Pressure	5" WC (1.25 kPa)
Manifold Pressure	3.8" WC (0.94 kPa)
Orifice Size	#42 DMS
Maximum Input	28,500 Btu/h (8.33 kW)
Minimum Input	15,500 Btu/h (4.54 kW)

CB40E LP SYSTEM DATA	
Min. Supply Pressure	11" WC (2.73 kPa)
Manifold Pressure	10.5" WC (2.62 kPa)
Orifice Size	#53 DMS
Maximum Input	28,500 Btu/h (8.35 kW)
Minimum Input	15,500 Btu/h (4.54 kW)

## High Elevation

This unit is approved for altitude 0 to 4500 ft. (CSA 2.17).

## Gas Line Installation

Since some municipalities have additional local codes it is always best to consult with your local authorities and the CSA B149.1 installation code.

For USA installations follow local codes and/or the current National Fuel Gas Code, ANSI Z223.1.

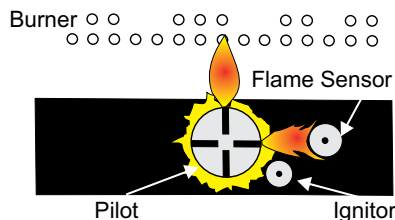
When using copper or flex connectors use only approved fittings. Always provide a union so that gas lines can be easily disconnected for servicing. Flare nuts for copper lines and flex connectors are usually considered to meet this requirement.

**NOTE: A shutoff / dante valve should be supplied in or near the unit (or as per local codes) for ease of servicing this appliance.**

**IMPORTANT: Always check for gas leaks with a soap and water solution or gas leak detector. Do not use open flame for leak testing.**

## Pilot Adjustment

Periodically check the pilot flames. **Correct flame pattern has two strong blue flames: 1 flowing around the flame sensor and 1 flowing across the burner (it does not have to be touching the burner).**



**Note: If you have an incorrect flame pattern, contact your Regency® dealer for further instructions.**

**Incorrect flame pattern will have small, probably yellow flames, not coming into proper contact with the rear burner or flame sensor.**

## Gas Pipe Pressure Testing

The appliance must be isolated from the gas supply piping system by closing its individual manual shut-off valve during any pressure testing of the gas supply piping system at test pressures equal to or less than 1/2 psig. (3.45 kPa). Disconnect piping from valve at pressures over 1/2 psig.

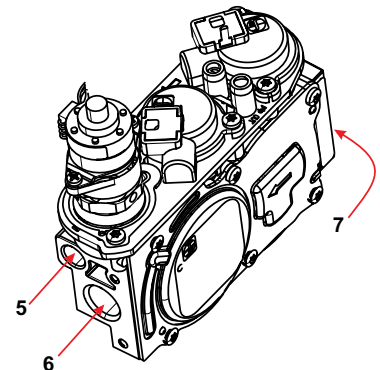
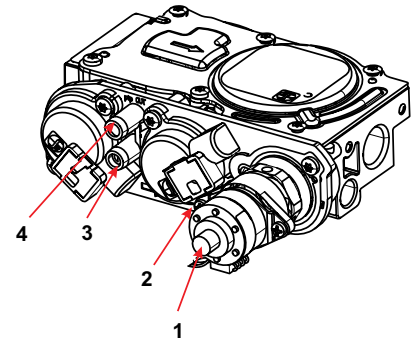
The manifold pressure is controlled by a regulator built into the gas control, and should be checked at the pressure test point.

**Note: To properly check gas pressure, both inlet and manifold pressures should be checked using the valve pressure ports on the valve.**

- 1 Make sure the unit is in the "OFF" position.
- 2 Loosen the "IN" and/or "OUT" pressure tap(s), turning counterclockwise with a 1/8" (3 mm) wide flat screwdriver.
- 3 Attach manometer to "IN" and/or "OUT" pressure tap(s) using a 5/16" (8 mm) ID hose.
- 4 Turn the unit on with the remote or wall switch
- 5 The pressure check should be carried out with the unit burning and the setting should be within the limits specified on the safety label.
- 6 When finished reading manometer, turn off the unit, disconnect the hose and tighten the screw (clockwise) with a 1/8" (3 mm) flat screwdriver. **Note: Screw should be snug, but do not over tighten.**

## 885 S.I.T. Valve Description

- 1) 6 Stage flame adjustment
- 2) Pilot adjustment
- 3) Outlet Pressure Tap
- 4) Inlet Pressure Tap
- 5) Pilot Outlet
- 6) Main Gas Outlet
- 7) Main Gas Inlet



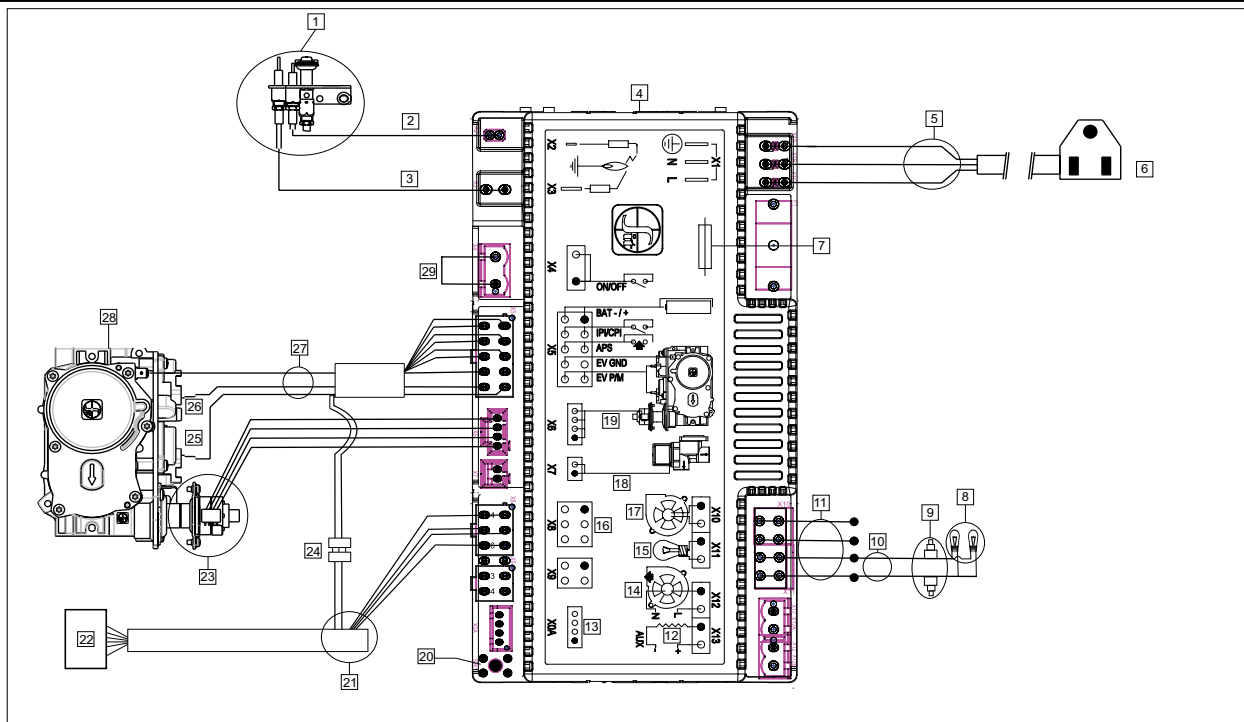
## Wiring Diagram

No electrical power supply is required for the gas control to operate. 120 Volt AC power is needed for the lights. A receptacle box, receptacle and cover are provided and located on the left hand side of the unit, under the outer base panel.

Electrical power must be brought to the appliance by a licensed electrician.

CAUTION

- Label all wires prior to disconnection when servicing controls. Wiring errors can cause improper and dangerous operation.
- Ensure that the wires do not touch any hot surfaces and are away from sharp edges.
- The IFC (Intermittent Fireplace Control) serves as the power source for this unit when plugged into a 120-volt receptacle. The 4 x AA batteries in the battery holder are recommended as a backup in case 120-volt power is lost within the home.
- If replacing any of the wiring or wiring harnesses supplied with the appliance, you must purchase the same wiring or wiring harnesses that came with the appliance. Do not substitute wiring.
- This appliance is equipped with a three-prong (grounding) plug for your protection against shock hazard and should be plugged directly into a properly grounded three-prong receptacle. Do not cut or remove the grounding prong from this plug.



Item	Part #	Description
1	911-276	Pilot Assembly NG
	911-277	Pilot Assembly LP
	W840470	Pilot Gasket
2	911-038	Spark Electrode
3	911-037	Flame Sensor Electrode
4	911-266/P	PFIIF IFC Board
5	911-192	Power Harness w/Aux Connector
6	N/A	Main Line
7	911-182	Fuse
8	911-208	Oven Lamp w/Wires
9	911-209	Wire 2 pos. IFC Fan
10	911-177	Wire 4 pos. IFC Fan & Light

Item	Part #	Description
11	N/A	Load
12	N/A	Diagnostic Interface
13	N/A	Combustion Blower
14	N/A	Lamp
15	N/A	User Interface
16	N/A	Comfort Fan
17	N/A	Split Flow
18	N/A	Motor
19	N/A	Switch
21	911-181	Battery Holder W/Ire Harness
22	911-337/P	Battery Holder
23	911-190	Flame Modulator-NG

Item	Part #	Description
23	911-191	Flame Modulator LP
24	N/A	Battery Connection
25	N/A	Adjustment Screw
26	911-242	Outlet Pressure Ports
27	911-173	Valve Wire Harness
28	911-188	Valve NG
28	911-189	Valve LP
29	911-193	Connector w/Jumper

# installation

## Inner Glass Panel (Firebox Glass) Installation / Removal

▶ To watch the firebox installation video click here <http://bit.ly/2upQQ3W>

**Note:** glass panels must be installed to operate fireplace

### WARNING: GLASS HANDLING

We recommend using the glass vacuum holders supplied by the manufacturer. Lower the glass to rest in a safe place, this is to prevent damage to the glass edges. Extra care must be taken when removing/installing the glass. Breakage or damage to the edge of the glass which occurs as a result of careless handling will not be covered under warranty.

- We recommend handling the glass with supplied vacuum clamps
- When removing glass—prepare a soft, scratch resistant surface to place the glass
- Never clean or remove hot glass

**Note:** The suction cups may leave a round film on the glass when used. Ensure that the glass is cleaned using a fireplace glass cleaner prior to operating the appliance.

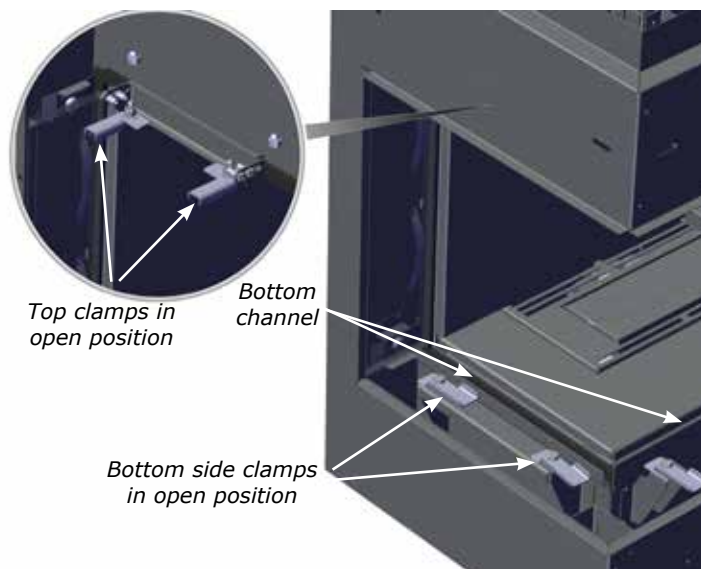
### Important:

Prior to installing the inner glass, ensure that there is no media present in the bottom channel as this can cause damage to the glass. Remove any media from bottom channel prior to installing the glass.

1. Remove outer safety glass panels if previously installed—see instructions in this manual.
2. **CV40E Single sided & CB40E 3 Sided Units**—Remove outer panels installed in units - see panel removal section in this manual.

**Single sided units**—proceed to Step 5.

3. Ensure all 4 clamps on each side are open to allow clearance for the glass. Lift up side panel using supplied vacuum clamp and tilt inward and upward positioning into a top channel and lowering gently into the lower glass channel—slide the side glass panel firmly towards the back wall until the springs at the back wall are compressed.

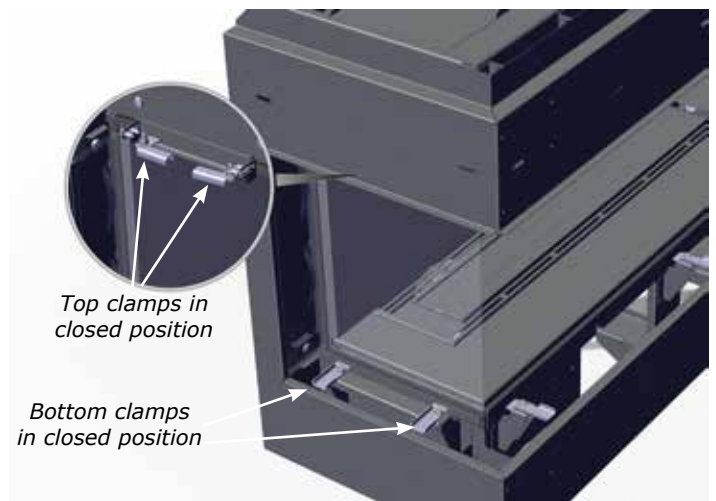


CB40E shown

Push side glass panel firmly to back wall until springs are compressed—then close clamps.



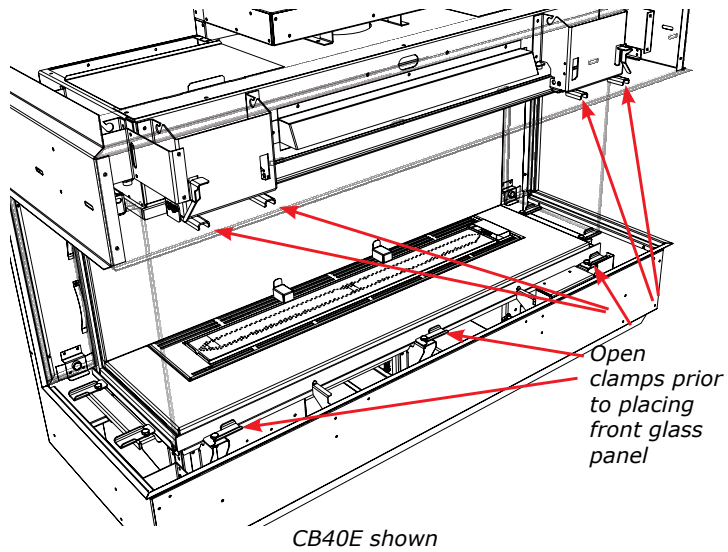
4. With the springs compressed, close the 2 clamps at the bottom and 2 clamps at the top, by turning inward, to secure the glass in position. For the 3 sided unit, repeat on the opposite side.



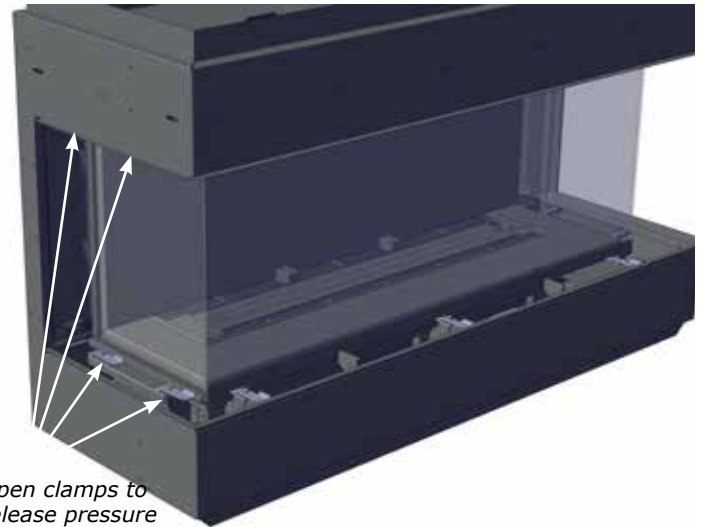
CB40E shown



5. Ensure all 7 front clamps are in the open position to allow clearance for the glass.



**Note:** Ensure that the front glass is centered and evenly spaced with side glass (3 sided unit) - open to release glass clamps to remove from surface of glass.



6. Lift up the front panel using the supplied vacuum clamps and position into the lower front channel—ensure the front panel is accurately centered—with the front panel in position—secure in place by closing the 3 lower clamps and 4 upper clamps.

Press glass vacuum clamps (part # 948-078/pair) in open position firmly onto surface of glass. Bring handles together to close.



Open



Closed

7. **For 3 sided and corner units only:** Return to the side panel(s), and release the upper and lower clamps. The springs will release and push the glass side panel forward slightly—this will create a seal between the front and side panels. When the junction between the front and side glass panels is sealed, close the clamps to secure the side panel(s) in place.

8. To remove the glass panels—always remove the side panel(s) (for 3 sided units) before removing the front panel.

9. Reverse steps to remove glass.



Handle front panel with supplied vacuum clamps

# installation

## Outer Safety Glass Panel (Barrier Glass) Installation/Removal

 To watch the safety barrier glass installation video click here <http://bit.ly/2upQQ3W>

**Note:** safety glass panels must be installed to operate fireplace

### WARNING: GLASS HANDLING

We recommend using the glass vacuum holders supplied by the manufacturer. Lower the glass to rest in a safe place, this is to prevent damage to the glass edges. Extra care must be taken when removing/installing the glass. Breakage or damage to the edge of the glass which occurs as a result of careless handling will not be covered under warranty.

- We recommend handling the glass with supplied vacuum clamps
  - When removing glass—prepare a soft, scratch resistant surface to place the glass
  - Never clean or remove hot glass
- Note:** The suction cups may leave a round film on the glass when used. Ensure that the glass is cleaned using a fireplace glass cleaner prior to operating the appliance.

Outer glass safety panels to be installed during the initial installation after the unit is in the final position.

**Note:** The outer safety panels come with plastic corners to protect these against damage. These should be kept in place until such time the outer safety panels are installed. Ensure these are removed prior to operating the appliance. Keep the plastic corners in a safe place if ever removing the outer panels for servicing.

1. Carefully remove glass safety panels from packaging.

Press glass vacuum clamps (part # 948-078/pair) in open position firmly onto surface of glass. Bring handles together to close.



Open



Closed

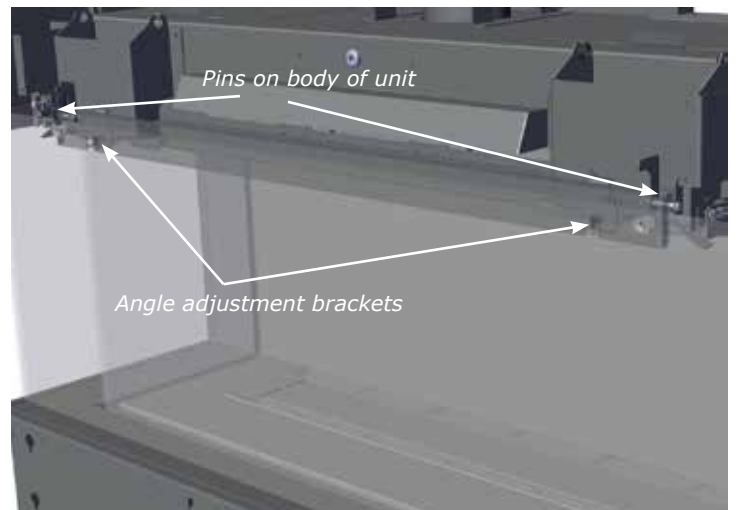
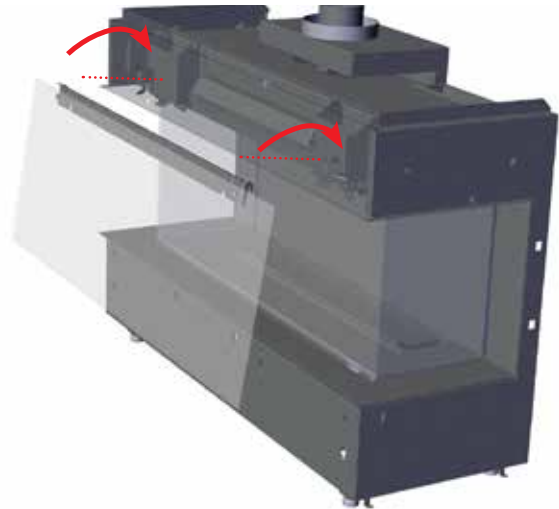


**NOTE:** Inner glass panel shown in image - depicting proper handling of glass.

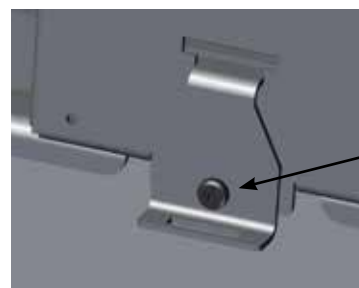
2. Using the supplied vacuum clamps, lift the large front glass panel and position it front and centre by manoeuvring up and underneath the front of the unit frame.

3. Tilt the top of the glass panel inward and lift up and underneath the upper front panel of the outside frame. Hook the glass panel onto the pins and also onto the two angle adjustment brackets located on the frame in two locations as shown in the diagram below.

**Note:** The front frame upper panel is shown as transparent to better illustrate the install (this area is not visible when installing glass).



**Note:** If the outer safety glass panels do not sit at 90° and angle too far inward or outward, remove the glass panel and adjust the screw of the panel angle bracket. Turn the panel angle bracket screw in 1/4 increments—reinstall panel to check.



Panel angle bracket—to adjust, turn screw:

Clockwise = bring panel in

Counter clockwise = bring panel out

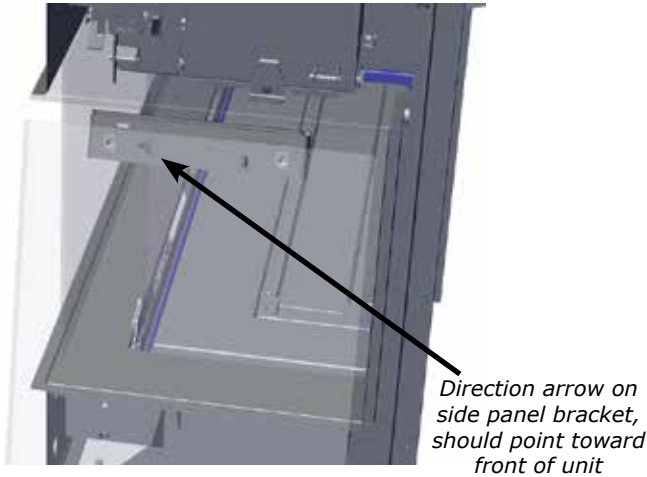


## Outer Safety Glass Panel (Barrier Glass) Installation/Removal

**Note:** Safety glass panels must be installed to operate fireplace.

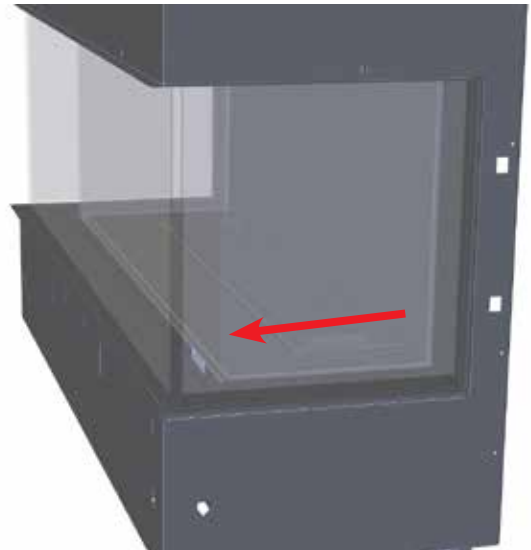
**4. For 3 sided and corner units only:**

With front panel installed, proceed to install the side panel(s). Identify the left and right side panels before installing. Facing the front of the unit, the right panel will show an arrow pointing to the front of the unit as shown in the diagram below.



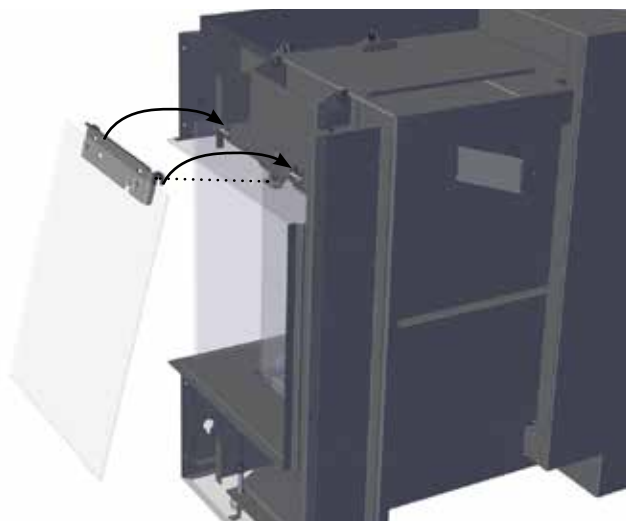
**Note:** The side frame upper panel was made transparent to better illustrate the install (this area is not visible when installing glass).

**Note:** After the side panel has been adjusted so it is installed at 90° to the unit and not flaring in or out, check to ensure there is no gap between the front and side panel. If there is a gap as shown below, slide the side panel to adjust the position and close the gap.



**5.** Lift up the side panel with the supplied glass clamps (see procedure on previous page). Tilt the side of the glass panel inward and lift up and underneath the upper side panel and hook the 2 outer hooks on to the pins, there is also a panel angle adjustment bracket for the third hook.

**Note:** The side frame upper panel is shown as transparent to better illustrate the install (this area is not visible when installing glass).



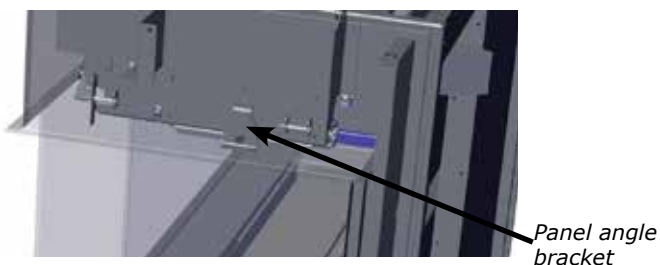
**6.** Repeat Steps 4 and 5 to install the opposite side panel.

**7.** Reverse Steps to remove all panels.

**Note:** When removing panels, we recommend using the supplied glass clamps.



**Note:** If the outer safety glass side panels angle too far inward or outward, remove the side glass panel and adjust on the panel angle bracket, see details on previous page.



Barrier Glass Install

# installation

## LP Conversion Instructions

**THIS CONVERSION MUST BE DONE BY A QUALIFIED GAS FITTER  
IF IN DOUBT DO NOT DO THIS CONVERSION!**

### WARNING

This conversion kit shall be installed by a qualified service agency in accordance with the manufacturer's instructions and all applicable codes and requirements of the authority having jurisdiction. If these instructions is not followed exactly, a fire, explosion or production of carbon monoxide may result causing property damage, personal injury or loss of life. The qualified service agency is responsible for the proper installation of this kit. The installation is not proper and complete until the operation of the converted appliance is checked as specified in the manufacturer's instructions supplied with the kit.

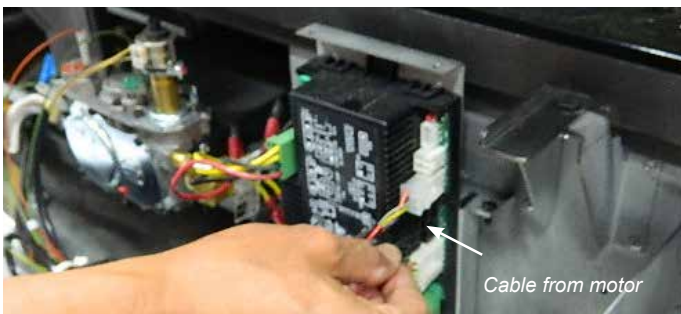
Conversion Kit 657-977 includes:

1	911-191	Stepper Motor LP for 885 SIT
1	904-947	Orifice #53
1	910-037	Pilot Orifice #30
1	918-590	Decal - Conversion to LP
1	908-528	Label Propane
1	904-529	5/32" long Allen Key
1	920-040	Instruction Sheet

**Caution: The gas supply shall be shut off prior to disconnecting the electrical power, before proceeding with the conversion.**

**Always let the appliance cool to room temperature before servicing.**

1. Remove the outer panels and safety glass — see manual.
2. Remove inner ceramic glass — see manual.
3. Remove inner panels — see manual.
4. Remove all media installed on burner (glass, logs or stones, etc).
5. Disconnect the Cable coming from the Pressure Regulator Motor.



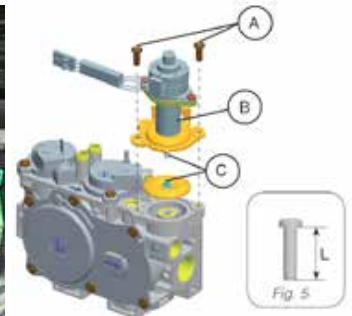
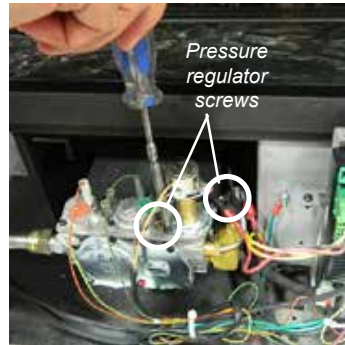
6. If unable to access this Cable - undo 2 screws securing the IFC Board and slide out of unit to access cable.



7. Remove and discard 2 Pressure regulator screws (A) using a (T20 or slot screwdriver,) Pressure Regulator (B) and Spring and Diaphragm (C) (see below).

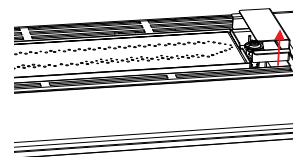
8. Ensure the rubber gasket, which is prefitted as part of the Assembly, is properly positioned. Install the new Pressure Regulator using the 2x M4 x .7 screws supplied. Tighten the screws to 25lb-in. In the event that the screw threads are cross threaded or stripped, replace the valve assembly.

Install the enclosed propane identification label to the valve body where it can be easily seen.

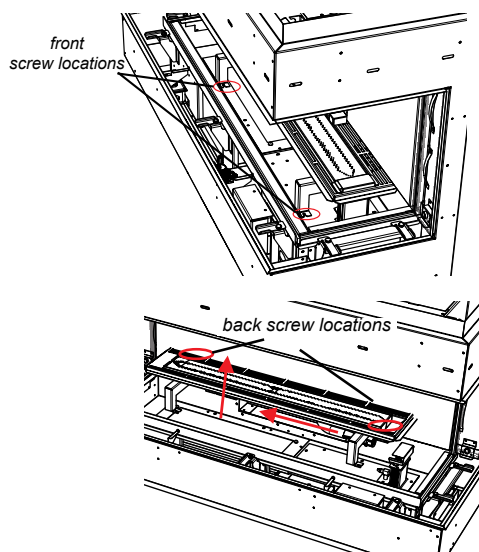


9. Re-attach the Pressure Regulator wire (disconnected in Step 6), and re-situate the IFC, secure the screws that fasten the IFC Mounting Brackets.

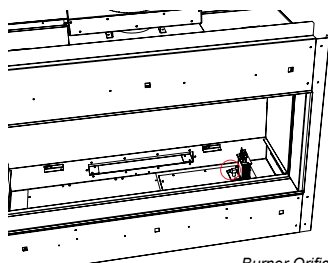
10. Remove pilot hood by lifting up and off.



11. Loosen 4 screws in locations shown below (2 at front and 2 at rear)—slide burner to the left away from the orifice and lift out.



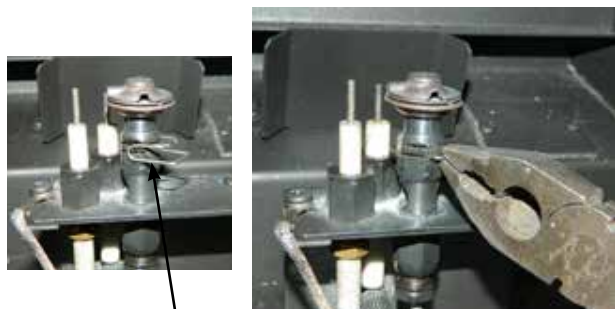
12. Remove burner orifice with a 3/8" wrench. Use another wrench to hold on to the elbow behind the orifice. Discard orifice. Reinstall new burner orifice LPG stamped #53 and tighten.



CV40E shown

Burner Orifice Location

13. Remove pilot retainer clip with pliers and pull off the pilot cap to expose the pilot orifice.



Pilot retainer clip



14. Unscrew the pilot orifice with the allen key; then replace with the LPG pilot orifice and the pilot cap, provided in the kit.



15. Reinstall pilot cap and pilot retainer clip.
16. Prior to installing burner—adjust aerations settings - to 1/4" for LP.(CB40E/CC40E/CV40E/CB40EPV/CV40EPV/CC40EPV) or 3/8" (CB40E-1/CC40E-1/CV40E-1) Reinstall burner (see Step 13).
17. Ensure the pilot light is in the correct orientation to the Burner. Reconnect the gas and electrical supply to the appliance. Start the appliance. (see section on Lighting Instructions) Ensure that pilot and burner ignition is completed without delay. Check both your inlet and outlet pressures at full load. With a soapy solution, leak test the entire system. Verify both the correct flame and pilot appearance.
18. See Gas Pipe Pressure Testing in manual.

<b>City Series LP SYSTEM DATA</b>	
Min. Supply Pressure	11" WC (2.73kpa)
Manifold Pressure - High	10.5" WC (2.62 kpa)
Manifold Pressure - Low	2.9" WC (0.72 kpa)
Orifice Size	#53 DMS
Maximum Input	28,500 Btu/h (8.35 kW)
Minimum Input	15,500 Btu/h (4.54 KW)
Altitude	0-4500 ft (0-1372m)

**Installer Notice:**  
These instructions must be left with the appliance.

# installation

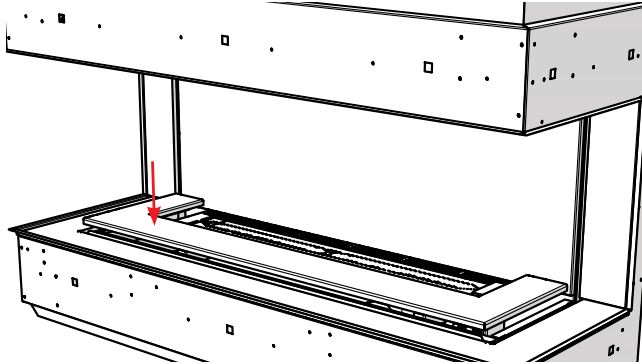
## CB40E Painted Panel Installation (Part # 656-917)

### Inner Panels - CB40E

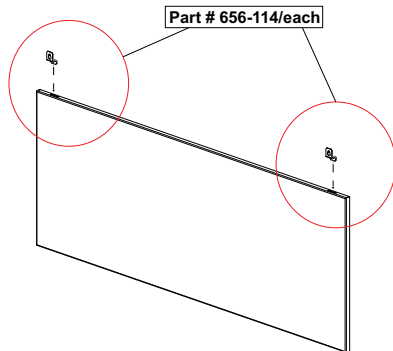
The CB40E can be equipped with optional steel inner panels. CB40E - 3 outer panels and 2 inner panels.

Turn off unit and allow to cool to room temperature. Remove the safety glass and firebox glass — see manual for instructions

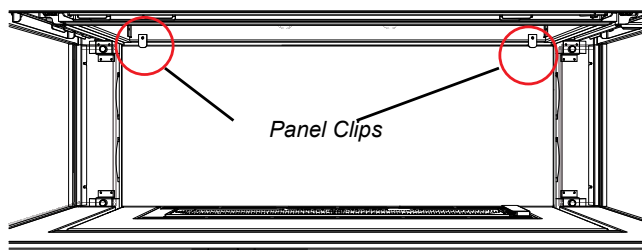
1. Install inner lower base panel.



2. Install panel clips into the slots at the top of the panel as shown.



3. Manoeuvre in back panel to the back wall of the unit—secure in place with 2 panel clips and 2 screws.

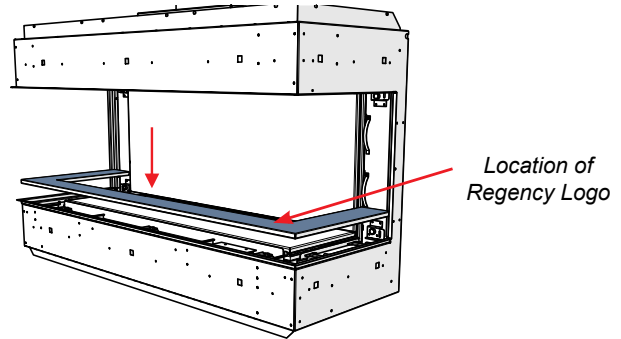


4. Reverse steps to remove panels.

### Outer Panels - CB40E

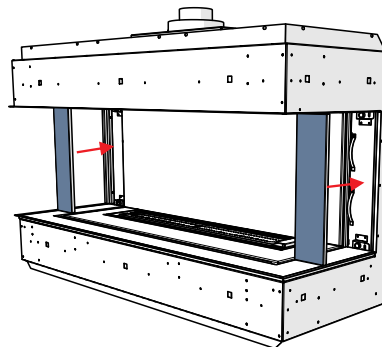
**Note:** Install inner safety glass prior to installation of outer panels—see instructions in manual

1. Attach Regency logo to the right hand side of outer front panel. The magnets will be positioned under the outer front base panel to secure the logo. The logo should be about 3 inches from the right hand corner of the outer base. Install outer front base panel.



*Outer base panel install*

2. Install side panel - the side panel is secured in place by existing magnets in the unit.

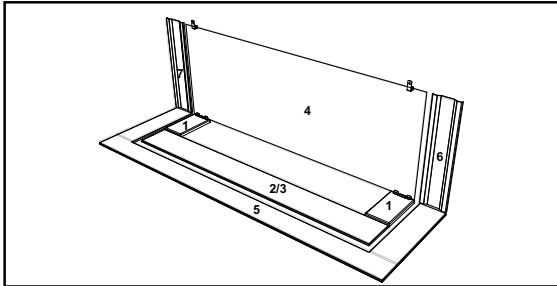


*Outer side panel install*

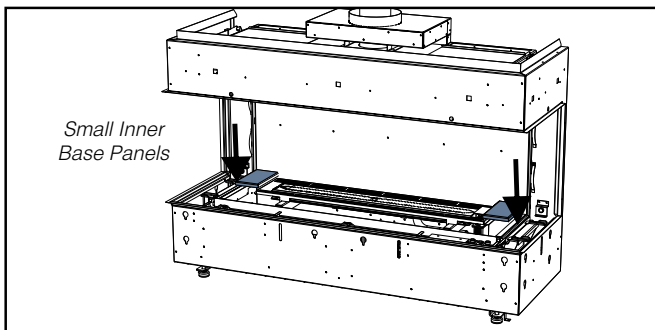
3. Install outer safety glass.
4. Reverse steps to remove panels.

## Glass Panel Installation (Part # 656-916)

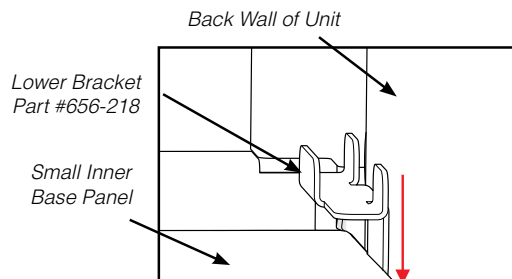
1. Turn off unit and allow to cool to room temperature. Remove the outer safety glass and inner ceramic firebox glass panels and any media installed — see manual for instructions.
2. Identify panels and order of installation.



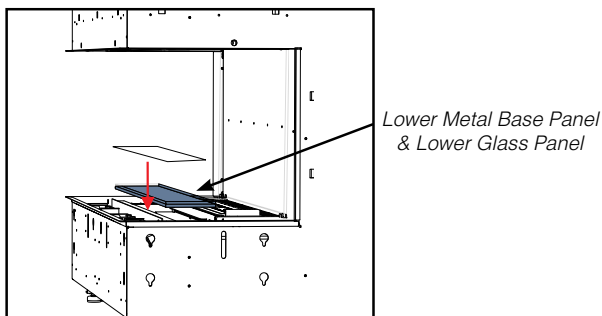
3. Install back inner base panels (1) - seat both small panels in locations shown below.



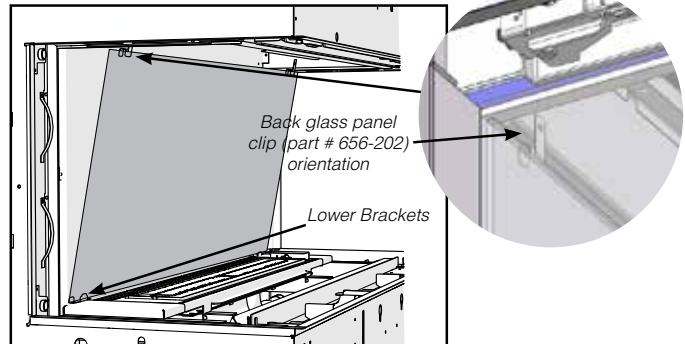
4. Slide the supplied brackets behind the small panels and the back wall in the orientation shown below.



5. Install lower metal base panel (2) - Repeat step to install lower glass panel (3) over lower base panel.

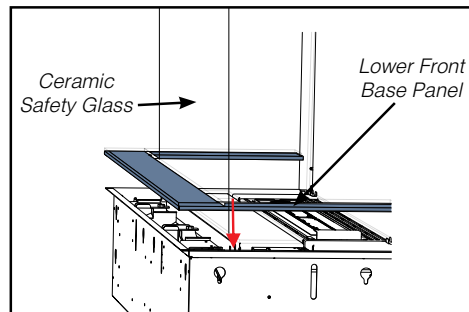


6. Carefully manoeuvre the back glass panel (4) to the back wall of the firebox. Center the glass panel and position bottom of panel into brackets installed in previous step. Place the brackets on the top edge of the glass and secure to the unit with one screw on each side once back glass panel is in position.

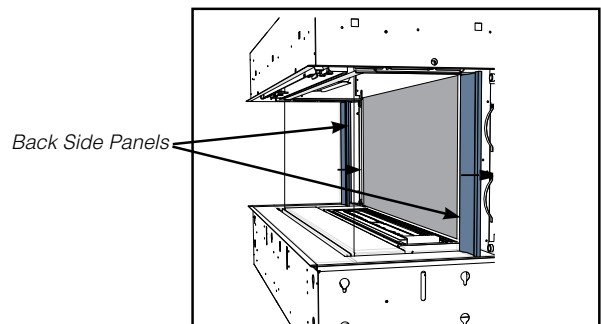


7. Reinstall inner ceramic firebox glass panels.

8. Install lower front base panel—as shown below (5).



9. Install back side panels (6,7) — these are held in position with magnets.



10. Install outer safety barrier glass (3 pieces). See manual for instructions.

11. Reverse Step 1 to reassemble unit.

12. Reverse steps to remove panels.

# installation

## CB40E Enamel Panel Installation (Part # 656-918)

### Black Enamel Panels — Handling Instructions

• Black Enamel panels must be inspected for scratches and dimples prior to installation. All claims to be recorded at this time. Claims for damage after installation will not receive consideration.

• Black Enamel panels will discolor a little during normal operation. This is normal and should not be considered a defect.

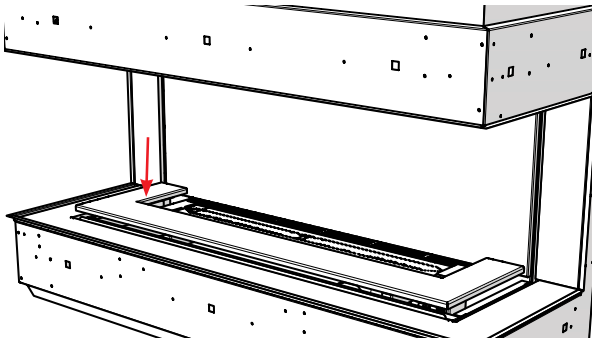
★ All hand and finger marks **MUST** be cleaned off with a soft cloth. Use an ammonia based cleaner (ie. glass cleaner) to remove any fingerprints before applying heat to the unit.

**Failure to do this will result in burn stain on panels which you will be unable to remove.**

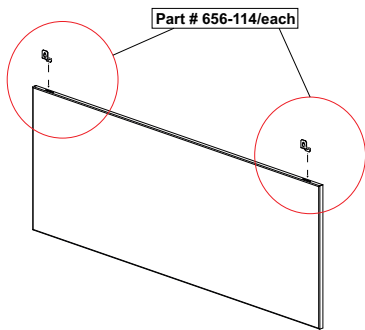
\*Not protected by product warranty.

1. Turn off unit and allow to cool to room temperature. Remove the outer safety glass and inner glass — see manual for instructions.

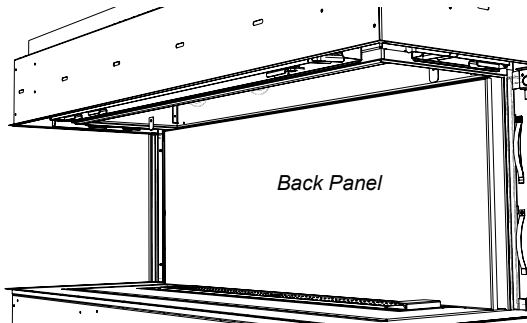
2. Install inner firebox base panel.



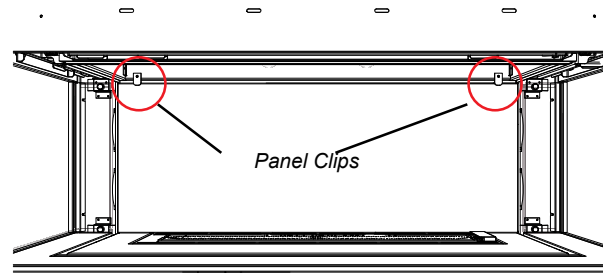
3. Install panel clips into the slots at the top of the panel as shown.



4. Install back enamel panel - manoeuvre panel into unit and position panel at back wall of firebox.

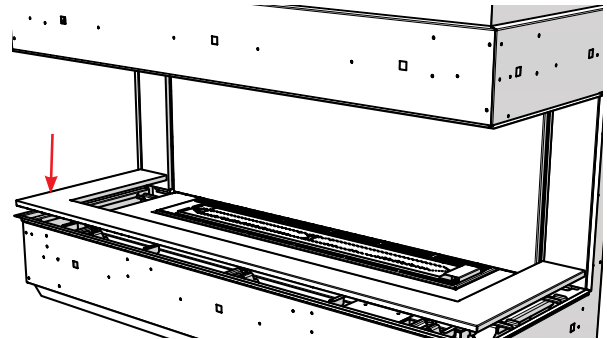


5. Secure panel with 2 panel clips and 2 screws.

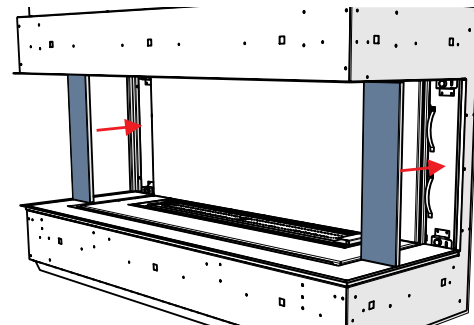


6. Install inner safety glass-see manual.

7. Install outer firebox base panel.



8. Install 2 outer side panels.



## Burner and Firebox Media Options

Spread the media evenly over the burner. Ensure the glass/stones do not overlap excessively as this will affect the flame pattern.

### IMPORTANT NOTE:

Only the supplied approved media are to be used with these fireplaces. Use of any other type of glass or stones can alter the unit's performance. Any damage caused by the use of any unapproved glass or stones will not be covered under warranty.

When using Ceramic Spa/Volcanic Stones ensure required glass crystals/beads are used as a base. **DO NOT** overstack Ceramic Spa Stones or Volcanic Stones on burner or in the pilot area. Media must be installed on and around burner only in amounts noted below.

CB40E Approved Media*	Where Used	Quantity
Fireglass (Starfire, Copper or Black)	On burner	1 lbs (0.45 kg)
Glowing Embers/Sea Wool (supplied with unit)	On burner	1 bag
Natural Stones	Around burner	1 box = 15lbs (6.8 kg)
Ivory Natural Stones	Around burner	1 box = 15lbs (6.8 kg)
3/4" (19 mm) Crushed black glass	Around burner	3.5lbs (1.6 kg.)
Crushed Iceburg chips	Around burner	3.5lbs (1.6 kg.)
Firebeads	Around burner	3.5lbs (1.6 kg.)
Spa Stones	Around burner	2 boxes (0.9 kg.)
Lava Embers	Around burner	6 packages
Stone River Pebbles	Around burner	2 bags

\* Media **not supplied** with unit - must be purchased separately.



*3/4" (19 mm) Crushed black glass + Black Fireglass*



*Natural / Ivory Stones + Fireglass*



*Starfire Fireglass + Iceburg chips*



*Spa Stones + Fireglass*



*Fireglass + Firebeads*



*Stone River Pebbles + Fireglass*



*Lava Embers + Black Fireglass*

# installation

## Optional Driftwood Log Set Installation (Part # 656-930/P)

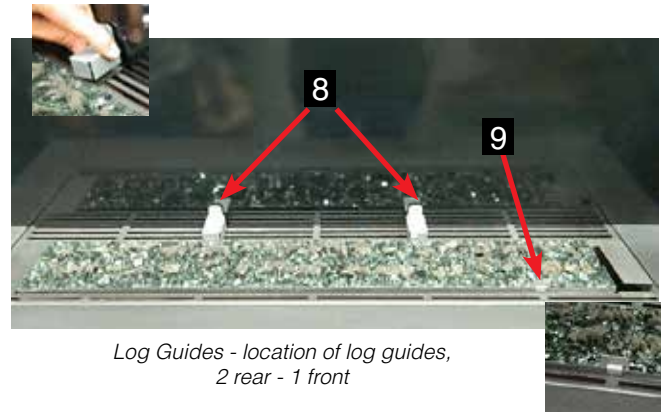
Read the instructions below carefully and refer to the images. If the logs are broken do not use the unit until they are replaced. Broken logs can interfere with pilot operation.

Improper positioning of the logs may create carbon build-up and can alter the unit's performance which is not covered under warranty.

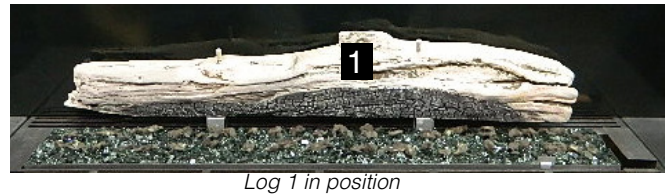
\*Dark brown paint is included if touch ups are required.

1	Rear Log
2	Left Log
3	Right Log
4	Left Cross Log
5	Right Cross Log
6	Front Left Log Piece
7	Front Right Log Piece
8	Log Brackets (2) - Part # 656-047
9	Log Bracket (1) - Part # 476-103/F
	Lava rock (purchased separately from log set)
	1 lb Black Fireglass (purchased separately from log set)
	Glowing wool (supplied with unit - Part # 946-634)
	3/4" Crushed black glass or iceberg chips (purchased separately from log set)

- Clip on the log guides - position the rear guides by centering over the second and fourth vertical lines at the back of the burner. The front log guide clips on to the front edge of the burner on the right side as shown below.



- Centre Log 1 and rest on installed rear log guides—with pins facing up.



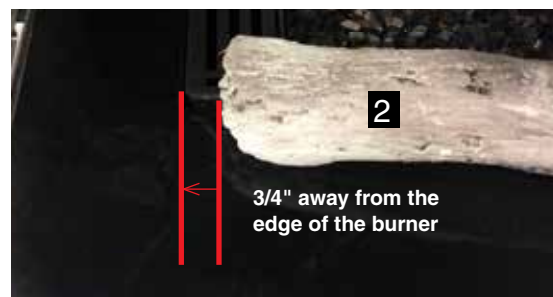
- Position Log 2 on the burner—the leftmost edge should be 3/4 inches away from the edge of the burner. The other end of the log on a slight diagonal to the front of the firebox as shown.



- Shut off gas and electrical supply, allow unit to cool to room temperature.
- Remove safety glass and firebox glass (see manual).
- Carefully remove the logs from the packaging and unwrap them. The logs are fragile, handle with care—never force into position.
- Install Black Fireglass (1.5lb) and glowing wool on the burner as shown below.



Burner covered with Fireglass and glowing wool



Log 2 in position



8. Place the split end of Log 3 to the right front corner of the burner—angle the log so that the other end is sitting approximately 1/2" (13mm) from the edge of the burner tray.



*Log 3 placement*

9. Place Log 6 and Log 7 on the burner locations shown below.

10. Before placing the next log, spread the optional media evenly on the burner tray as shown.



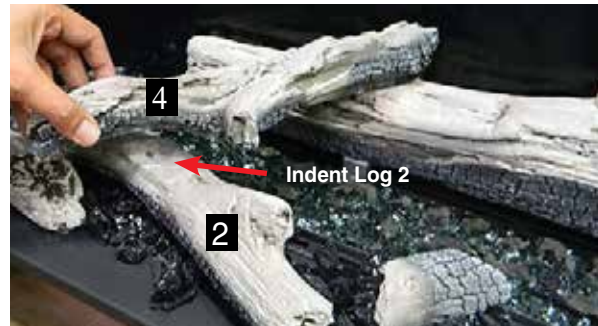
**NOTE:** Ensure the installed optional media doesn't completely block the air flow; more than 50% of the airflow must be open (shown with 3/4" crushed black glass).



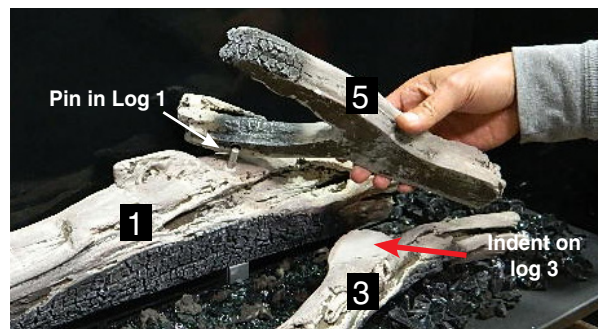
11. Place Log 4 by identifying the pin locator and matching it with the left side pin on Log 1.



Rest the other end of Log 4 on the indent in Log 2 as shown below.



12. Place Log 5 by identifying the pin locator and matching it with the right side pin on Log 1.



Rest the other end of Log 5 on the indent in Log 3 as shown below.



13. Add lava rock sparsely around the perimeter of the burner.



*Completed Install*

# installation

## Optional Birchwood Log Set Installation (Part # 656-932/P)

Read the instructions below carefully and refer to the images. If the logs are broken do not use the unit until they are replaced. Broken logs can interfere with pilot operation.

Improper positioning of the logs may create carbon build-up and can alter the unit's performance which is not covered under warranty.

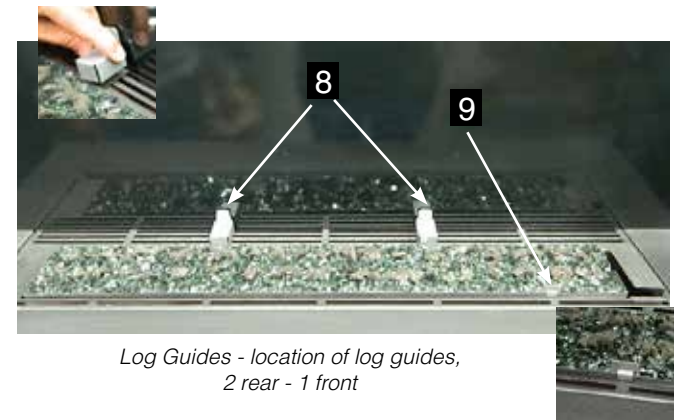
\*Dark brown paint is included if touch ups are required.

1	Rear Log
2	Left Log
3	Right Log
4	Left Cross Log
5	Right Cross Log
6	Front Left Log Piece
7	Front Right Log Piece
8	Log Brackets (2) Part # 656-047
9	Log Brackets (1) Part # 476-103/F
	Lava rock (purchased separately from log set)
	1.5 lb Black Fireglass (purchased separately from log set)
	Glowing wool (supplied with unit) Part # 946-634
	3/4" Crushed black glass or iceberg chips (purchased separately from log set)



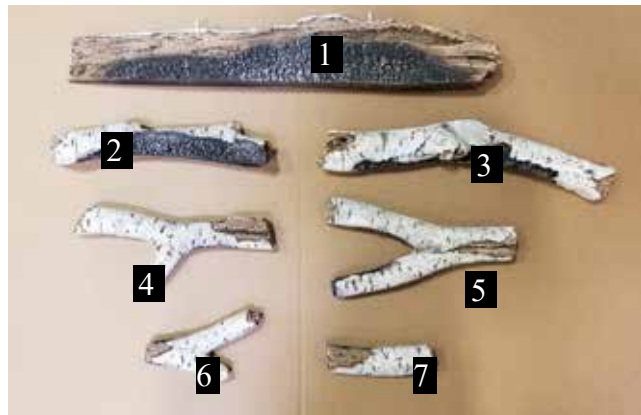
*Burner covered with Fireglass and glowing wool*

5. Clip on the log guides - position the rear guides by centering over the second and fourth vertical lines at the back of the burner. The front log guide clips on to the front edge of the burner on the right side as shown below.



*Log Guides - location of log guides, 2 rear - 1 front*

6. Centre Log 1 and rest on installed rear log guides—with pins facing up.



*Log 1 in position*

1. Shut off gas and electrical supply, allow unit to cool to room temperature.
2. Remove safety glass and firebox glass (see manual).
3. Carefully remove the logs from the packaging and unwrap them. The logs are fragile, handle with care—never force into position.
4. Install Black Fireglass (1.5lb) and glowing wool on the burner as shown below.

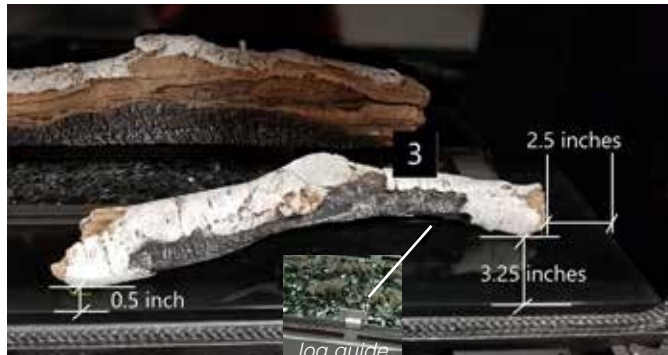
6. Place Log 1 on the top of the installed rear log guides. Follow the measurements as shown below.



Log 2 in position

7. Position Log 2 as shown and follow the measurements.

8. Place Log 3 to the right front corner of the burner. Follow the measurements as shown. Make the edge of the log sit on top of the log guide.



9. Place Log 6 and Log 7 on the burner locations shown below.



10. Before placing the next log—spread the optional media evenly throughout the burner tray as shown.

**NOTE:** Ensure the installed optional media doesn't completely block the air flow—ensure more than 50% of the airflow is open (shown with 3/4" crushed black glass).



11. Place Log 4—identify the pin locator and match with the left side pin on Log 1. Rest the Log 4 on the indent in Log 2 as shown below.



12. Place Log 5—identify the pin locator and match with the right side pin on Log 1. Rest the Log 5 on the indent in Log 3 as shown below.



Completed Install

# installation

## Optional Splitwood Log Set Installation (Part # 656-934/P)

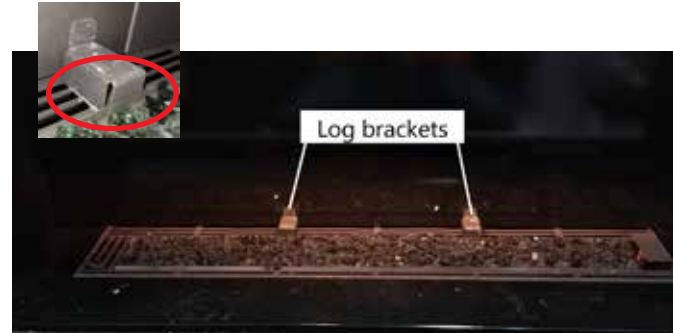
Read the instructions below carefully and refer to the images. If the logs are broken do not use the unit until they are replaced. Broken logs can interfere with pilot operation.

Improper positioning of the logs may create carbon build-up and can alter the unit's performance which is not covered under warranty.

\*Dark brown paint is included if touch ups are required.

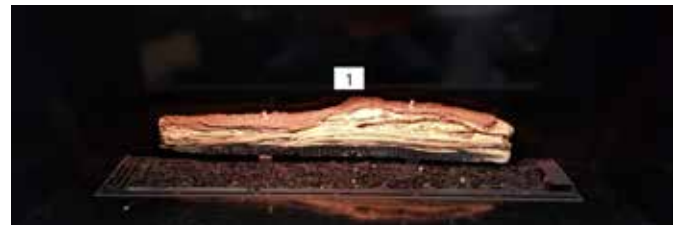
1	Rear Log
2	Left Log
3	Right Log
4	Left Cross Log
5	Right Cross Log
6	Front Left Log Piece
7	Front Middle Log Piece
8	Front Right Log Piece
	Log Brackets (2) - Part # 476-103/F
	Lava rock (purchased separately from log set)
	1.5 lb Black Fireglass (purchased separately from log set)
	Glowing wool (supplied with unit) - Part # 946-634
	3/4" Crushed black glass or iceberg chips (purchased separately from log set)

5. Clip on the log brackets - position the rear guides by centering over the second and fourth vertical lines at the back of the burner.

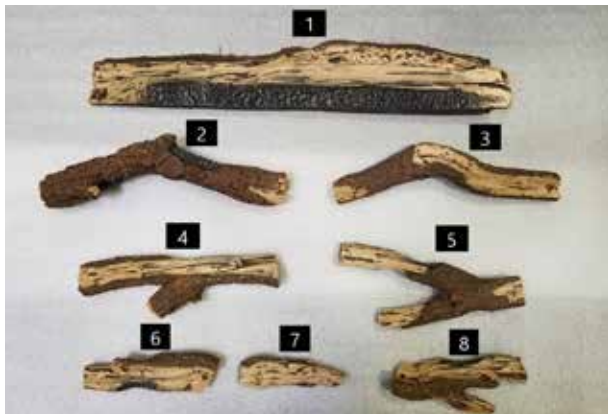


Log brackets

6. Place Log 1 on the top of the installed rear log guides. Center it on the burner, as shown below.



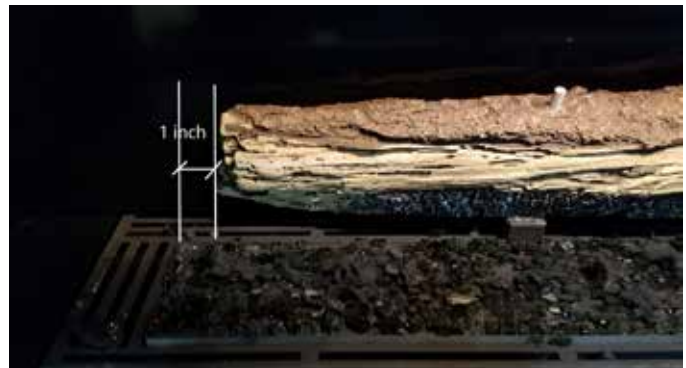
Log 1 in position



1. Shut off gas and electrical supply, allow unit to cool to room temperature.
2. Remove safety glass and firebox glass (see manual).
3. Carefully remove the logs from the packaging and unwrap them. The logs are fragile, handle with care—never force into position.
4. Install Black Fireglass (1.5lb) and glowing wool on the burner as shown below.



Burner covered with Fireglass and glowing wool



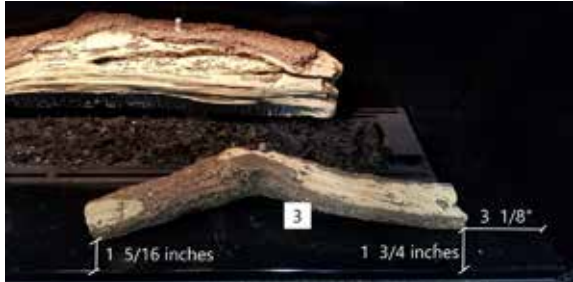
Log 1 in position

7. Position Log 2 as shown and follow the measurements.



Log 2 in position

8. Place Log 3 to the right front corner of the burner. Follow the measurement as shown.



Log 3 in position

9. Place Log 6, Log 7 and Log 8 on the burner locations shown below.



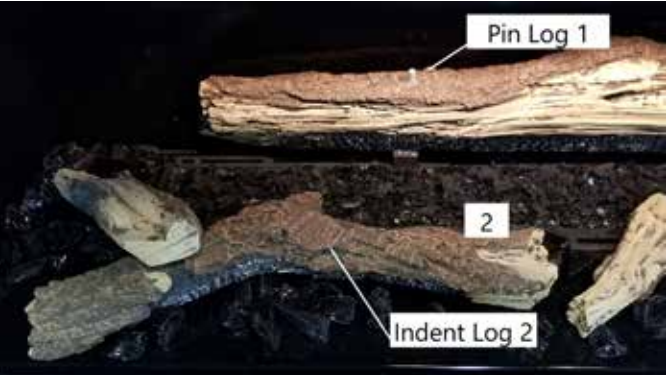
Log 6, 7, and 8 in position

10. Before placing the next log—spread the optional media evenly throughout the burner tray as shown.

**NOTE:** Ensure the installed optional media doesn't completely block the air flow—ensure more than 50% of the airflow is open (shown with 3/4" crushed black glass).

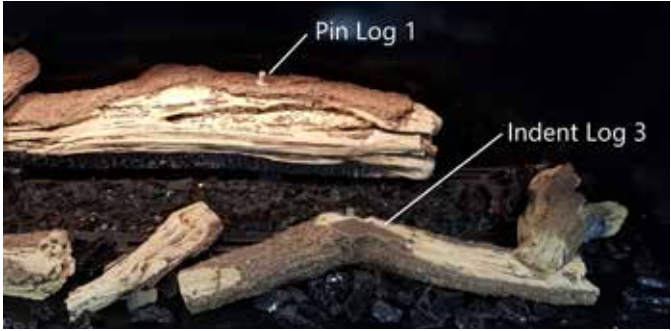


11. Place Log 4—identify the pin locator and match with the left side pin on Log 1. Rest the Log 4 on the indent in Log 2 as shown below.



Log 4 in position

12. Place Log 5—identify the pin locator and match with the right side pin on Log 1. Rest the Log 5 on the indent in Log 3 as shown below.



Log 5 in position



Completed Install

# installation

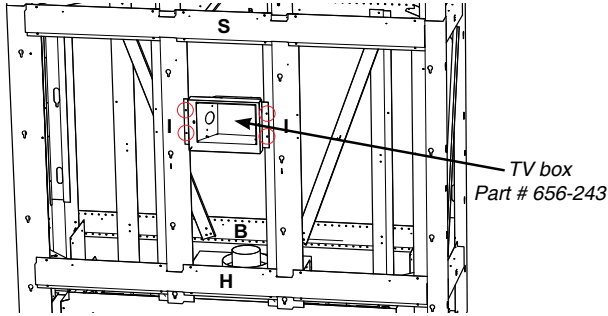
## TV Kit Installation (Part # 656-924)

The TV kits may be used in conjunction with the compact/extended framing kits, or it may be used if choosing to use other framing methods using conventional framing. Install the compact or extended framing kits before installing the TV kit. (Extended kit shown in instructions)

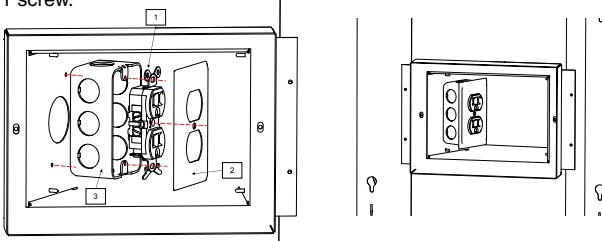
**Note:** The TV Kit requires 120 volt power for operation of the television. The receptacle box and all electrical wires should be installed by a qualified electrician.

**Follow steps 1-9 if using the optional compact/extended framing kit.**

1. Install the TV box on the framing between Parts S + H—attaching to vertical Part Is with 2 screws each side as shown below.

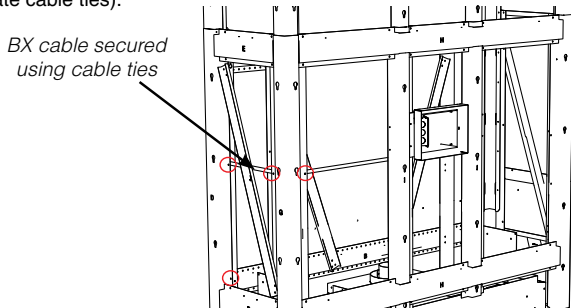


2. Install the electrical box into the TV box with 2 screws—see below.
3. Remove the knock out from the rear of the electrical box. Bring the BX cable through the rear of the electrical box. Snap in the wire clamp from the BX cable to the rear of the knock out to secure BX cable. Attach the black wire (hot), white wire (neutral) and ground wire to the appropriate terminals on the receptacle.
4. Attach receptacle to electrical box with 2 screws and receptacle cover with 1 screw.

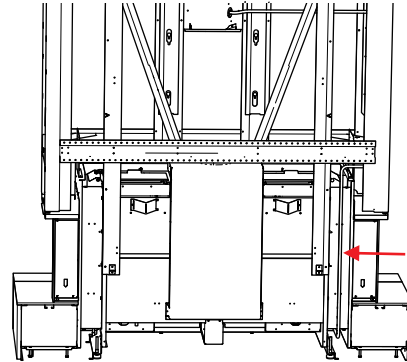


Item	Part #	Description
1	910-428	Receptacle
2	910-430	Cover
3	910-429	Electrical Box

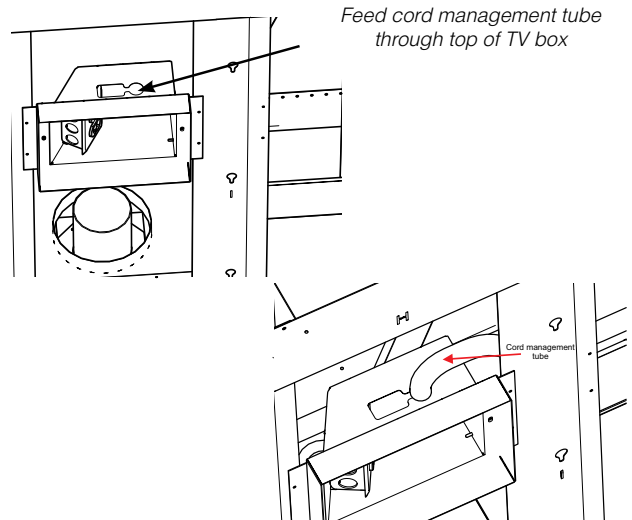
5. Run the BX cable from the back of the electrical box and route through the framing using the supplied ties (use larger holes in framing to accommodate cable ties).



6. Run the BX cable down the back of the unit and to the electrical box located on the front lower left hand side of the appliance and tie in 120 volt power.

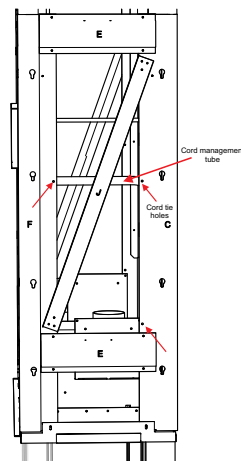


7. Feed the required cords (for TV, PVR, etc.) into the cord management tube, with cords installed, feed the end of the tube + cords through the top of the electrical box.

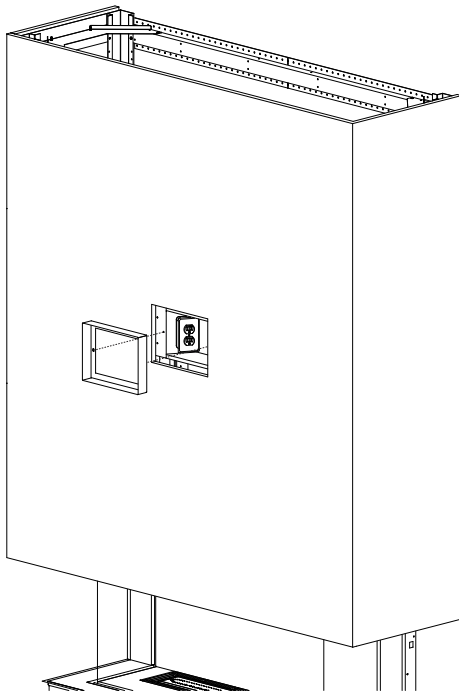


8. Secure the cord management tube to the inside of the framing with the supplied ties.

**NOTE:** Use the holes in the framing kit as indicated as they are large enough to accommodate the ties.



9. After applying the finishing material to the framing kit.—secure TV kit trim piece with 2 screws as shown below.



Install trim with 2 screws

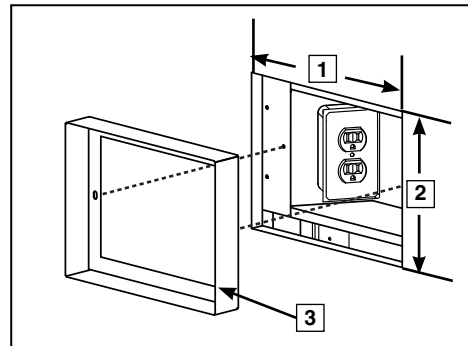
\*See manual for minimum TV mounting height.

10. When using wall finishes other than Regency's wall panels, in conjunction with the compact/extended framing kit, adhere to the measurements shown below, for the TV wiring kit.

**Follow these instructions if choosing to use your own framing materials.**

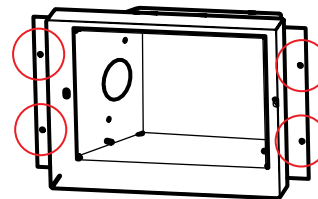
11. Frame the opening: 10" W x 7-5/8" H (254mm W x 194mm H).

**NOTE** The finishing trim kit for this TV box is 1-1/2" (38mm) deep and designed flush to the front of the finished material. The framed opening should be 1-1/2 inches (38mm) deeper than all other framing around the appliance, minus the finished material thickness. (i.e.: If finished material is 1/2" (12mm) thick, the framed opening should be 1 inch [25mm] deep.)



Item	Part #	Description
1	N/A	10"
2	N/A	7-5/8"
3	656-244	1-1/2" Deep Trim Kit

12. Secure TV box to framing with 2 screws per side. See below.



13. Repeat steps 3-8 for all electrical/PVR etc. connections.

14. After applying the finishing material to the framing kit - secure TV kit trim piece with 2 screws as shown above. See step 9.

\*See manual for minimum TV mounting height.

# installation

## Optional Wall Thermostat

A wall thermostat may be installed if desired. Connect the wires as per the wiring diagrams.

**Note: Preferable if the thermostat is installed on an interior wall.**

Regency® offers an optional programmable thermostat but any 250-750 millivolt rated non-antipiator type thermostat that is CSA, ULC or UL approved may be used.

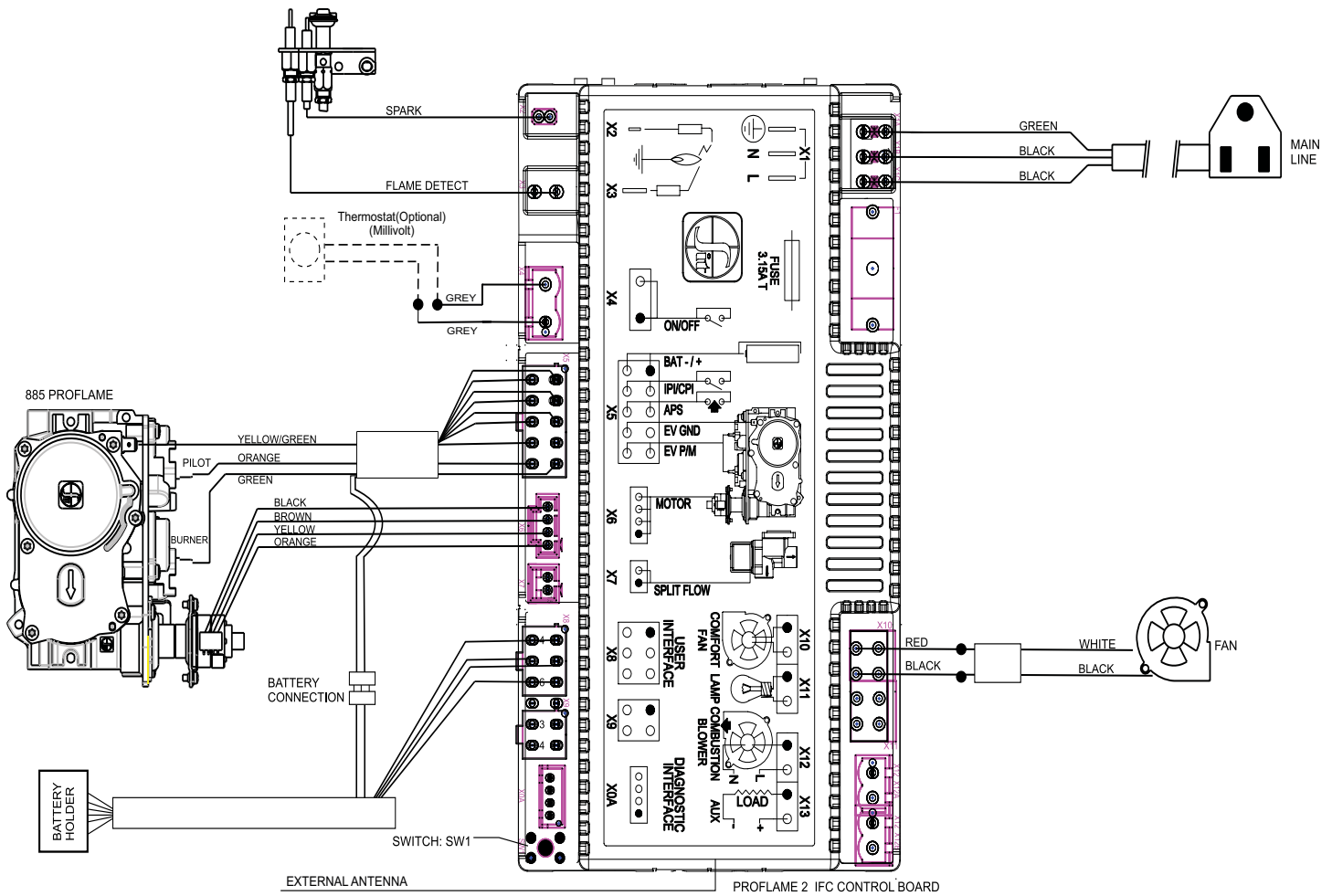
**CAUTION**  
**Do not connect the millivolt wall thermostat wires to the 120V wires.**

## Operation Using an Optional Wall Thermostat

This unit ships with a full function remote control as standard equipment. This allows for basic on/off function as well as the ability to operate as a thermostat. With the addition of an optional wall cradle (820-477-AWT available from an authorized dealer) the remote can reside on a wall and carry out all the functions of a typical millivolt wall thermostat as well as being able to control the fan speed, and the flame height. This is the recommended procedure for operating the unit with a thermostatic set point.

If a millivolt wall thermostat is required for bedroom installation or as preferred method of controlling the stove, see noted option.

## Wiring Diagram with Optional Thermostat





## First Fire

The **FIRST FIRE** in your fireplace is part of the paint curing process. To ensure the paint is properly cured, it is recommended you burn your fireplace for at least four (4) hours the first time.

When first operated, the unit will release an odour caused by the curing of the paint and the burning off of any oils remaining from manufacturing. Smoke detectors in the house may go off at this time. Open a few windows to ventilate the room for a couple of hours. The glass may require cleaning.

**NOTE:** When the glass is cold and the appliance is lit, it may cause condensation and fog the glass. This condensation is normal and will disappear in a few minutes as the glass heats up.

**DO NOT ATTEMPT TO CLEAN THE GLASS WHILE IT IS STILL *HOT!***

**DO NOT BURN THE UNIT WITHOUT THE GLASS IN PLACE.**

**During the first few fires, a white film may develop on the glass front as part of the curing process. The glass should be cleaned after the unit has cooled down or the film will bake on and become very difficult to remove. Use a non-abrasive cleaner and DO NOT ATTEMPT TO CLEAN THE GLASS WHILE IT IS HOT.**

## Normal Operating Sounds Of Gas Appliances

It is possible that you will hear some sounds from your gas appliance. This is perfectly normal due to the fact that there are various gauges and types of steel used within your appliance. Listed below are some examples. All are **normal operating sounds** and should not be considered as defects in your appliance.

### Burner Tray:

The burner tray is positioned directly under the burner tube(s) media and logs and is made of a different gauge material from the rest of the firebox and body. Therefore, the varying thicknesses of steel will expand and contract at slightly different rates which can cause "ticking" and "cracking" sounds. You should also be aware that as there are temperature changes within the unit these sounds will likely re-occur. Again, this is normal for steel fireboxes.

### Pilot Flame:

While the pilot flame is on it can make a very slight "whisper" sound.

### Gas Control Valve:

As the gas control valve turns ON and OFF, a dull clicking sound may be audible, this is normal operation of a gas regulator or valve.

### Unit Body/Firebox:

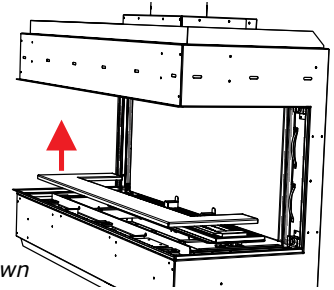
Different types and thicknesses of steel will expand and contract at different rates resulting in some "cracking" and "ticking" sounds will be heard throughout the cycling process.

## Aeration Adjustment

The burner aeration is factory set but may need adjusting due to either the local gas supply or altitude. Open the air shutter for a blue flame or close for a more yellow flame.

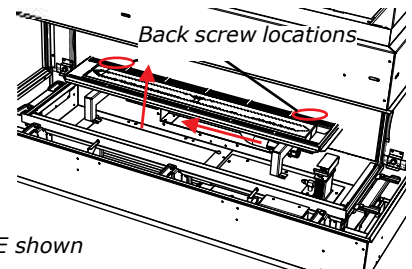
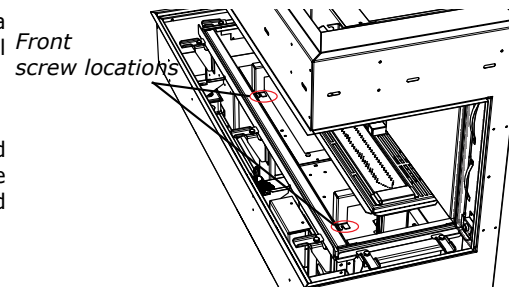
Remove outer safety glass and inner glass panels plus outer and inner base panels - see instructions in this manual.

1. Remove burner tray by lifting up and out.



CB40E shown

2. Loosen 4 screws in locations shown below (2 at front and 2 at rear)—slide burner to the left away from the orifice and lift out.



CB40E shown

3. Reverse steps to reinstall burner.

### Minimum Air Shutter Opening:

NG	1/16" (1.6 mm)
NG with Logs	1/16" (1.6 mm)
NG with Stones	1/16" (1.6 mm)
LP	3/8" (9.5 mm)
LP with Logs	3/8" (9.5 mm)
LP with Stones	3/8" (9.5 mm)

**Note:** Any damage due to carboning resulting from improperly setting the aeration controls is **NOT** covered under warranty.

# maintenance

## Maintenance Instructions

1. Always turn off the gas valve before cleaning. For relighting, refer to lighting instructions. Keep the burner and control compartment clean by brushing and vacuuming at least once a year. When cleaning the logs, use a soft clean paint brush as the logs are fragile and easily damaged.
2. Clean appliance and door with a damp cloth (never when unit is hot). Never use an abrasive cleaner. The glass should be cleaned with a gas fireplace glass cleaner. **The glass should be cleaned when it starts looking cloudy.**
3. The fireplace is finished in a heat resistant paint and should only be refinished with heat resistant paint. Regency® uses StoveBright Paint - Metallic Black #6309.
4. Make a periodic check of burner for proper position and condition. Visually check the flame of the burner periodically, making sure the flames are steady; not lifting or floating. If there is a problem, call a qualified service person.
5. The appliance and venting system must be inspected before use, and at least annually, by a qualified field service person, to ensure that the flow of combustion and ventilation air is not obstructed.

**Note: Never operate the appliance without the glass properly secured in place.**

6. Do not use this appliance if any part has been under water. Immediately call a qualified service technician to inspect the appliance and to replace any part of the control system and any gas control which has been under water.
7. In the event this appliance has been serviced check that the vent-air system has been properly resealed & reinstalled in accordance with the manufacturer's instructions.
8. Verify operation after servicing.

## General Vent Maintenance

Conduct an inspection of the venting system semi-annually. Recommended areas to inspect as follows:

1. Check the Venting System for corrosion in areas that are exposed to the elements. These will appear as rust spots or streaks, and in extreme cases, holes. These components should be replaced immediately.
2. Remove the Cap, and shine a flashlight down the Vent. Remove any bird nests, or other foreign material.

3. Check for evidences of excessive condensation, such as water droplets forming in the inner liner, and subsequently dripping out the joints. Continuous condensation can cause corrosion of caps, pipe, and fittings. It may be caused by having excessive lateral runs, too many elbows, and exterior portions of the system being exposed to cold weather.
4. Inspect joints, to verify that no pipe sections or fittings have been disturbed, and consequently loosened. Also check mechanical supports such as Wall Straps, or plumbers' tape for rigidity.

## Log Replacement

The unit should never be used with broken logs. Turn off the gas valve and allow the unit to cool before opening door and carefully remove the logs. (The pilot light generates enough heat to burn someone.) If for any reason a log should need replacement, you must use the proper replacement log. The position of these logs must be as shown in the diagrams under Log Installation.

**Note: Improper positioning of logs may create carbon build-up and will severely alter the unit's performance which is not covered under warranty.**

## Glass Gasket

If the glass gasket requires replacement use a tadpole glass gasket (Part # 846-696).

## Glass

Your Regency® fireplace is supplied with high temperature 5mm Tempered outer glass & 5mm-Ceramic inner glass. If your glass requires cleaning, we recommend using an approved glass cleaner available at all authorized dealers. Do not use abrasive materials.

## CAUTION & WARNINGS:

- \* Do not clean when the glass is hot.
- \* The use of substitute glass will void all product warranties.
- \* Care must be taken to avoid breakage of the glass.
- \* Do not strike or abuse the glass.
- \* Do not operate this fireplace without the glass front or with a cracked or broken glass front.
- \* Wear gloves when removing damaged or broken glass.
- \* Replacement of the glass panels should be done by a licensed or qualified service person.

## Glass Replacement

In the event that you break your glass by impact, purchase your replacement from an authorized Regency dealer only. Replacement glass is shipped already installed into the door frame. Reinstall as per Glass Installation in the "Glass Installation" section.

## REPLACEMENT GLASS:

### CB40E

Outer Safety Glass Front - Tempered (Part# 940-438/P)  
Outer Safety Glass Right Side- Tempered (Part# 940-439/P)  
Outer Safety Glass Left Side- Tempered (Part# 940-440/P)

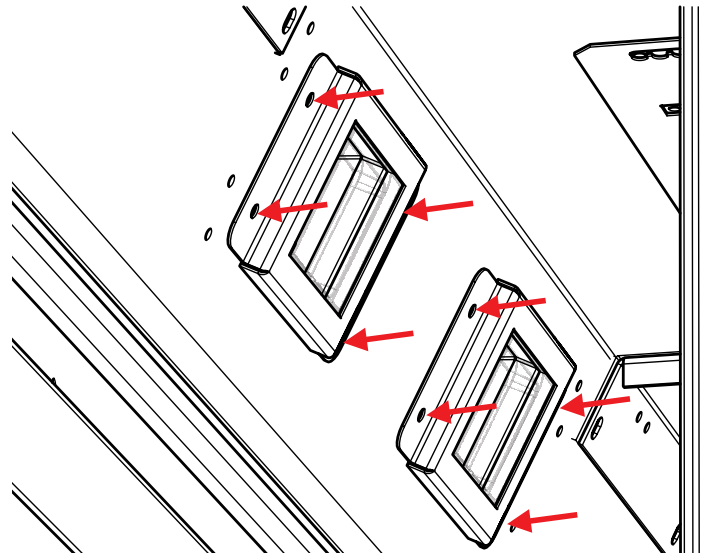
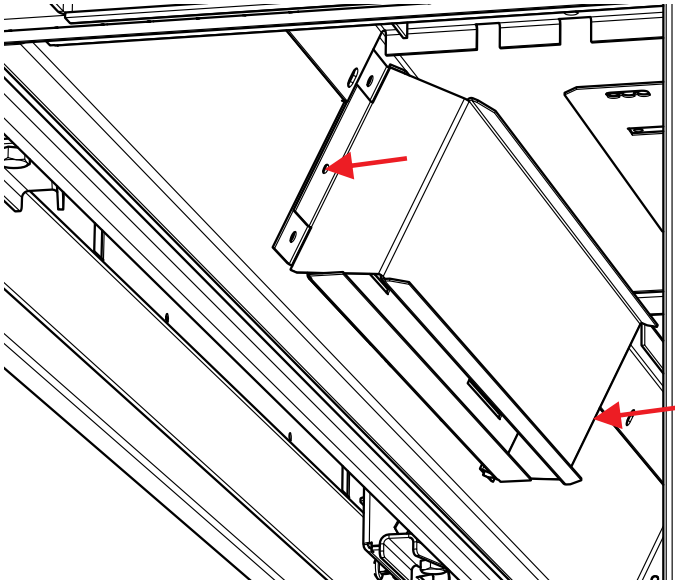
Inner Glass Front - Ceramic (Part# 940-436/P)  
Inner Glass Side - Ceramic (Part# 940-437/P)

## Bulb Replacement

1. Turn off unit and allow to cool to room temperature.
2. Remove outer safety glass panels and inner panels (firebox glass)—see instructions in this manual.
3. Loosen 2 outer screws on each side to remove outer light cover — located in the upper inside front of the firebox and remove.
4. Loosen 2 screws on each side of individual inner light cover and remove.
5. Remove glass cover by using a flat head screwdriver to pry the tab securing the glass assembly in place.
6. Replace bulb and reverse steps to complete procedure.

**NOTE:** Do not handle bulb with bare hands. Use packaging or a tissue to hold new bulb when replacing.

Regency Part# 911-208 Oven Lamp Assembly G9 120V/25W  
 Regency Part# 911-072 Replacement Bulb G9 120 Volt/25 watt

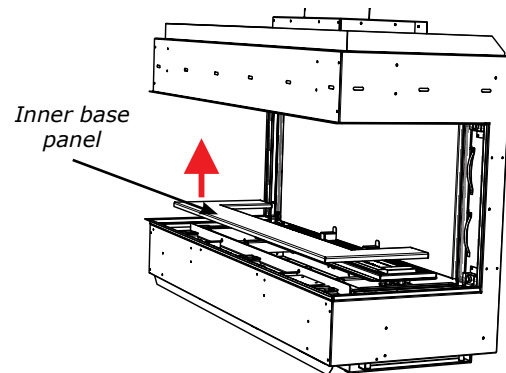


# maintenance

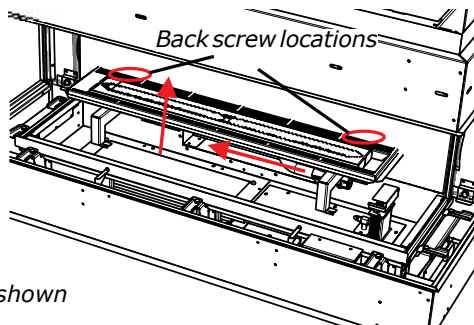
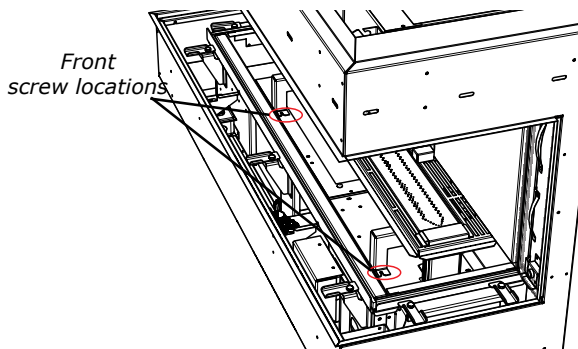
## Valve Replacement

**Important:** Always shut off gas supply/120 volt power prior to servicing the gas valve.

1. Turn off unit and allow to cool to room temperature.
2. Remove outer enamel or steel panels—see instructions in the panel removal section in this manual
3. Remove outer safety glass panels and inner panels (firebox glass)—see instructions in this manual.
4. Remove all media and logs (if installed) — set aside.
5. Remove inner base panel.

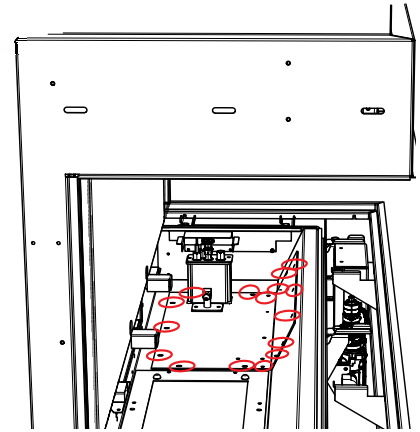


6. Loosen 4 screws in locations shown below (2 at front and 2 at rear)—slide burner to the left away from the orifice and lift out.



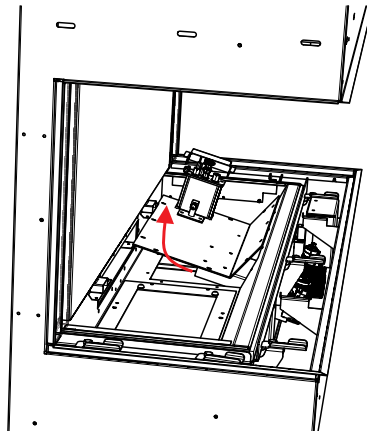
CB40E shown

7. Remove 16 screws in locations shown below.



Remove 16 screws securing valve tray

8. Lift valve tray out partially and disconnect flexible gas connection on the valve inlet side, remove valve tray- replace with new valve tray.



9. Reverse steps 6-1 to complete.

## Gas Maintenance - Recommended Annual Routine

In order for your Regency appliance to continue to provide comfort to your home periodic maintenance must be performed to ensure it is operating at peak efficiency. The items in the list should be checked by a licensed gas service technician during the annual service check. Your unit may require more frequent maintenance checks if you notice any changes in how it operates. Operational changes to look for can include, but are not limited to, extended start up time, increased fan noise, residue/carbon build up, white build up on the glass/firebox, increased operating noise etc. Should any of these or other conditions arise, discontinue use and schedule a service check with your local licensed gas technician. The list below shows items your licensed service technician will need to check and service at least annually.

### Clean

- Glass
- Interior bricks / panels
- Burner ports & burner air shutter
- Fan blades
- Log set
- Pilot orifices
- Pilot hood (change as needed)
- Flame sensor (electronic ignition models)
- Flame electrode
- Burner orifice
- Thermocouple (millivolt models)
- Thermopile (millivolt models)

### Inspect

- Pilot assembly
- Burner
- Pressure relief gaskets/doors
- Flue connector gasket if present
- Door seal
- Firebox
- Venting
- Batteries (remote handheld, remote receiver, DC sparker, change as needed)
- Burner media (change as needed)
- Air shutter setting
- Wiring

### Check

- Voltage on thermocouple/thermopile (millivolt models)
- Ohms reading on flame sense (electronic ignition models)
- Inlet/outlet fuel pressures as per rating plate
- Voltage/ohms readings on gas valve
- Ohms reading to on/off switch circuit (Millivolt models)

### Gas Leak Tests

- Check main gas line connection to valve
- Check shut off valve connections
- Check connection at gas valve outlet
- Check connection at main burner orifice
- Check pilot fuel line at valve and at pilot assembly

# parts list

## Main Assembly

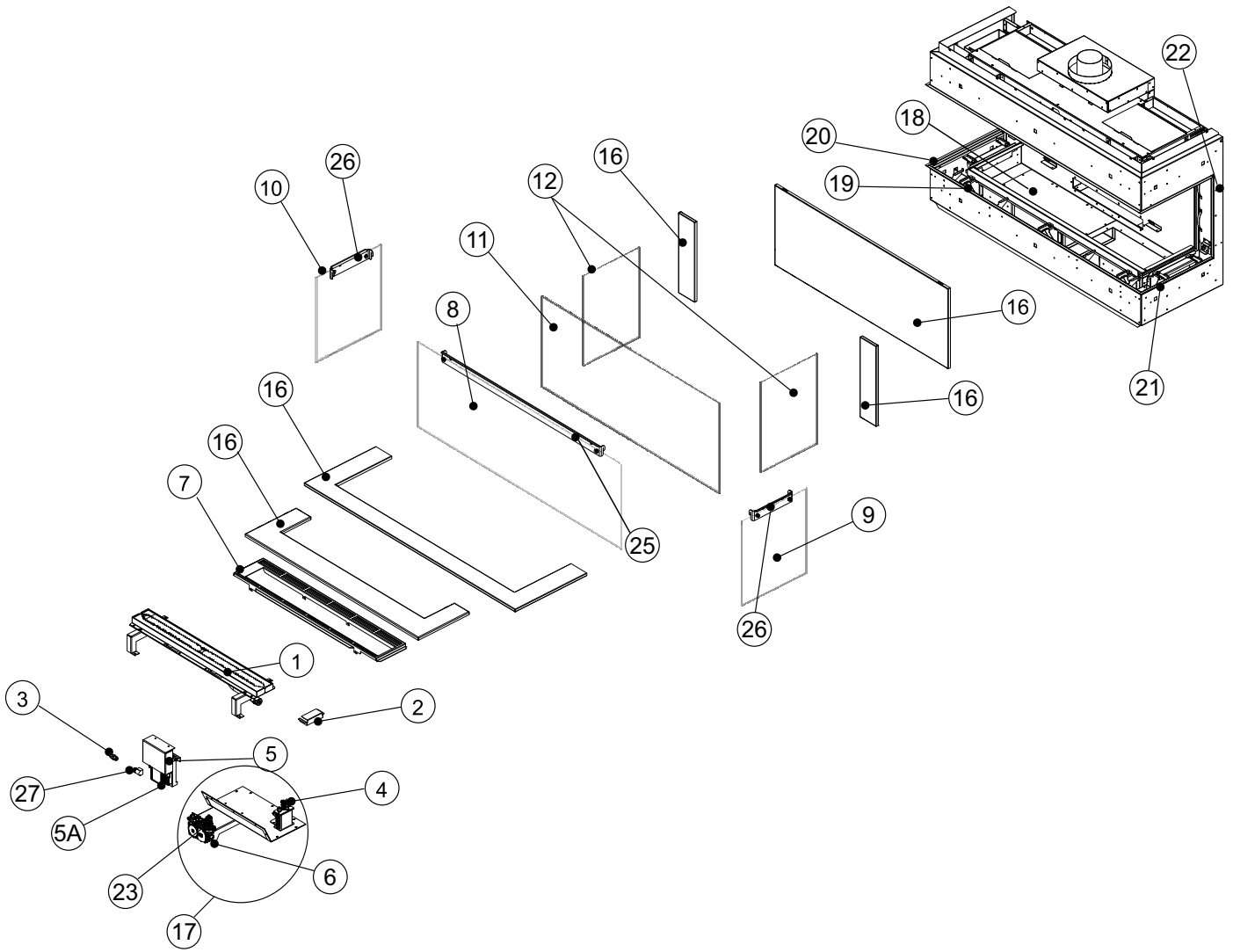
1	657-525	Burner Assembly - NG/LP	N/S	904-606	Fitting 90 Street Elbow Extruded
2	656-046	Pilot Cover/Shield	N/S	904-165	Fitting 3/8 Male Flarex Mpt Strt Adaptor
3	904-996	Burner Orifice #42 NG (PO512)	N/S	W840470	Pilot Assembly Gasket
3	904-947	Burner Orifice #53 LP (PO512)	N/S	656-040	Valve Assembly Gasket
4	911-276	Pilot Assembly IPI NG 2 Flame	N/S	656-039	Burner Orifice Mount Gasket
4	911-277	Pilot Assembly IPI LP 2 Flame	N/S	911-175	Hand Held Remote Control GTMFL SIT 0.584.042
5	657-009	IFC Cover/Shield	N/S	911-337/P	Remote Receiver/Battery Holder 584.103
5A	911-266/P	IFC Board Complete 584.625	N/S	911-335	Cover Wall Mount White 0.584.813
6	911-188	Novasit Valve Only - NG 885 SIT IPI 0.885.009	N/S	911-343	Cover Wall Mount Black 0.854.812
6	911-189	Novasit Valve Only - LP 885 SIT IPI	N/S	911-173	Wire Harness IFC No CPI Switch 584.924
7	656-045	Burner Surround	N/S	911-177	Wire 4 Position IFC Fan & Light
8	940-438/P	Outer Front Barrier Tempered Glass Assembly	N/S	911-181	Wire Harness Battery Box Proflame II
9	940-439/P	Outer Right Barrier Tempered Glass Assembly	N/S	911-192	Power Cord 120 Volts With Connector
10	940-440/P	Outer Left Barrier Tempered Glass Assembly	N/S	911-193	Connector With Jumper
11	940-436/P	Flush Front Inner Ceramic Glass	N/S	911-209	Wire 2 Position IFC to Lights
12	940-437/P	Flush Side Inner Ceramic Glass (Each)	N/S	910-369	Receptacle Box Low Voltage SC100A
N/S	846-694	5/8" Sewn Rope Graphite 3/4" PSA Gasket (14') (936-219)	N/S	910-428	Receptacle Duplex White
N/S	846-696	Gasket Tape 2" Wide Graphite (8') (936-220)	N/S	910-429	Receptacle Box Duplex Metal
N/S	656-114	Rear Panel Clips (Each)	N/S	910-430	Receptacle Cover Duplex Metal
17	656-574/P	Valve Assembly - NG	N/S	904-687	Connector Clamp 3/8 CI-804
17	656-776/P	Valve Assembly - LP	N/S	948-078	Glass Suction Cup (Each)
18	656-033F	Bottom Cover Access Plate	N/S	904-790	Magnet Round 1/2 inch (Each)
18	656-034	Bottom Cover Access Gasket	N/S	904-970	Magnet Cup 1/2 inch (Each)
19	656-123	Removable Drywall Finishing Lip Front Bottom	N/S	948-223	Logo Plate Plastic Regency/Flame Silver
20	656-124	Removable Drywall Finishing Lip Left Bottom	N/S	656-550	Logo Mounting Bracket
21	656-127	Removable Drywall Finishing Lip Right Bottom	N/S	656-017F	Restrictor Plate
22	656-125	Removable Drywall Finishing Trim Vertical Sides Left/Right (Each)	N/S	656-018	Pressure Relief Base
23	911-190	Stepper Motor NG SIT 0.907.015	N/S	656-023	Pressure Relief Base Gasket
23	911-191	Stepper Motor LP SIT 0.907.015	N/S	656-019	Pressure Relief Bracket Right
N/S	656-081	Outer Front Barrier Glass Guide Right	N/S	656-020	Pressure Relief Bracket Left
N/S	656-082	Outer Front Barrier Glass Guide Left	N/S	656-021F	Pressure Relief Door
25	656-084	Outer Front Barrier Glass Hanging Bracket	N/S	656-022	Pressure Relief Door Gasket
26	656-130	Outer Side Barrier Glass Hanging Bracket (Each)	N/S	656-075F	Rear Standoff (Each)
27	904-943	Bracket Dormont Orifice Mount 10-BZ001-19.5	N/S	911-208	Oven Lamp Assembly G9 120V 25W
N/S	656-051	Baffle Cover (Each)	N/S	656-086	Light Glass Bracket
N/S	910-036	Pilot Orifice SIT - NG #51 977.165	N/S	911-072	Replacement Bulb G9 120 Volt/25 watt
N/S	910-037	Pilot Orifice SIT - LP #30 977.167	N/S	656-087	Light Rear Louver
N/S	911-037	Flame Sensor 0.915.905	N/S	656-088	Light Cover Plate
N/S	911-038	Flame Electrode 0.915.020	N/S	656-089	Light Deflector Shield
N/S	910-432	Novasit Pilot Tubing With Nuts	N/S	656-085	Gasket Light Cover Gasket
N/S	911-039	Two Way Pilot Hood	N/S	656-079	Top Glass Clamp Left (Each)
N/S	911-137	Pilot Hood Clip	N/S	656-080	Top Glass Clamp Right (Each)
N/S	904-658	Inlet Flex Line Gas SS Steel 24 inch	N/S	656-269	Lower Glass Clamp (Each)
			N/S	656-052	Lower Glass Clamp Bracket (Each)

**Main Assembly/Accessories**

		<b>Optional Accessories</b>
N/S	657-977	Conversion Kit - LP
N/S	656-930/P	Driftwood Log Set
16	656-916*	Inner Panel Glass Black
16	656-918*	Inner Panel Enamel Black
N/S		Finishing Trim Black
N/S	656-991	Chase Vent Front Black
N/S	656-995	Adaptor Heat Wave
N/S	946-556	Heatwave Kit
N/S	946-672	Stones - River Pebbles
N/S	946-674	Stones - Ceramic Spa (70 stones)
N/S	946-675	Fireglass Black Reflective 1/4in.1Lb Pkg
N/S	946-676	Fireglass Copper 1/4 in. 1Lb Pkg
N/S	946-677	Fireglass Starfire 1/4 in. 1Lb Pkg
N/S	946-775	Fireglass Black Reflective 1/4in.5Lb Pkg
N/S	946-776	Fireglass Copper 1/4 in. 5Lb Pkg
N/S	946-777	Fireglass Starfire 1/4 in. 5Lb Pkg
N/S	946-780	Crushed Glass Coal Black 3/4in. 3.5 Lbs
N/S	946-781	Crushed Glass Iceberg Chips 3/4in. 3.5 Lbs
N/S	946-735	Firebeads Black 1 Lb Pkg
N/S	946-736	Firebeads Sangria Luster 1 Lb Pkg
N/S	946-737	Firebeads Glacier Ice 1 Lb Pkg
N/S	946-738	Firebeads Caramel Luster 1 Lb Pkg
N/S	946-739	Firebeads Black 5 Lb Pkg

N/S	656-950	Chase Steel Framing Kit (Compact)
N/S	656-951	Extended Chase Steel Framing Kit
N/S	656-952	Extended Hearth Steel Framing Kit
N/S	656-992	Chase Vent Sides Black
16	656-917*	Inner Panel Black (Painted)
	*	Sold only as a complete set
N/S	656-920	Corner Panels Glass Black (for use with Extended Chase Steel Framing Kit)
N/S	656-921	Exterior Glass Panels Black (for use with Compact Framing Kit)
N/S	656-922	Hearth Top Glass Panel Black (for use with Extended Hearth)

# parts list







# warranty

## Limited Lifetime Warranty

FPI Fireplace Products International Ltd. (for Canadian customers) and Fireplace Products U.S., Inc. (for U.S. customers) (collectively referred to herein as “FPI”) extends this Limited Lifetime Warranty to the original purchaser of this appliance provided the product remains in the original place of installation. The items covered by this limited warranty and the period of such coverage is set forth in the table below.

Some conditions apply (see below).

The policy is not transferable, amendable or negotiable under any circumstances.

Indoor Gas Products Warranty Coverage Parts and Labor	Part				Supplier	Labor Coverage
	Lifetime	5 years	2 years	1 year	Warranty	(Years)
Firebox and Heat Exchanger	✓					3
Steel Burner Tube	✓					3
Glass Thermal breakage only	✓					3
All Surrounds/Inlays Finishes		✓				3
Brick Panels/Log sets/Ceramic Burners		✓				3
All Castings		✓				3
Valve assembly and all gas control components, (Pilot assembly, flame sensors, Spark Electrode, Pilot Tubing, Orifices, Thermocouple, Thermopile)			✓			2
All Other Electrical components,(Ignition Control Boards, Wiring, Switches, Blowers, Blower Control Module, Battery Pack, Remote Control Systems)			✓			2
Enamel Panels			✓			1
Venting/Venting Components			✓			1
All Stainless steel surrounds				✓		1
All Firebox Media (Crystals, Firebeads, Volcanic, Ceramic & Spa Stones)				✓		1
All hardware				✓		1
Mesh/Glass Safety Barriers				✓		1
Accent Light Bulbs				✓		1
Glass (Crazing)				✓		1

### Conditions:

Warranty protects against defect in manufacture or FPI factory assembled components only, unless herein specified otherwise.

Any part(s) found to be defective during the warranty period as outlined above will be repaired or replaced at FPI’s option through an accredited distributor, dealer or pre-approved and assigned agent provided that the defective part is returned to the distributor, dealer or agent for inspection if requested by FPI. Alternatively, FPI may at its own discretion fully discharge all of its obligations under the warranty by refunding the verified purchase price of the product to the original purchaser. The purchase price must be confirmed by the original Bill of Sale.

**The authorized selling dealer, or an alternative authorized FPI dealer if pre-approved by FPI, is responsible for all in-field diagnosis and service work related to all warranty claims. FPI is not responsible for results or costs of workmanship of unauthorized FPI dealers or agents in the negligence of their service work.**

At all times FPI reserves the right to inspect reported complaints on location in the field claimed to be defective prior to processing or authorizing of any claim. Failure to allow this upon request will void the warranty.

All warranty claims must be submitted by the dealer servicing the claim, including a copy of the Bill of Sale (proof of purchase by you). All claims must be complete and provide full details as requested by FPI to receive consideration for evaluation. Incomplete claims may be rejected.

Unit must be installed according to all manufacturers' instructions as per the manual.

All Local and National required codes must be met.

The installer is responsible to ensure the unit is operating as designed at the time of installation.

The original purchaser is responsible for annual maintenance of the unit, as outlined in the owner's manual. As outlined below, the warranty may be voided due to problems caused by lack of maintenance.

Repair/replacement parts purchased by the consumer from FPI after the original coverage has expired on the unit will carry a 90 day warranty, valid with a receipt only. Any item shown to be defective will be repaired or replaced at our discretion. No labor coverage is included with these parts

### **Exclusions:**

This Limited Lifetime Warranty does not extend to paint, rust or corrosion of any kind due to a lack of maintenance or improper venting, combustion air provision, corrosive chemicals (i.e. chlorine, salt, air, etc.), door or glass gasketing.

Malfunction, damage or performance based issues as a result of environmental conditions, location, chemical damages, downdrafts, installation error, installation by an unqualified installer, incorrect chimney components (including but not limited to cap size or type), operator error, abuse, misuse, use of improper fuels, lack of regular maintenance and upkeep, acts of God, weather related problems from hurricanes, tornados, earthquakes, floods, lightning strikes/bolts or acts of terrorism or war, which result in malfunction of the appliance are not covered under the terms of this Limited Lifetime Warranty.

FPI has no obligation to enhance or modify any unit once manufactured (i.e. as products evolve, field modifications or upgrades will not be performed on existing appliances).

This warranty does not cover dealer travel costs for diagnostic or service work. All labor rates paid to authorized dealers are subsidized, pre-determined rates. Dealers may charge homeowner for travel and additional time beyond their subsidy.

Any unit showing signs of neglect or misuse will not be covered under the terms of this warranty policy and may void this warranty. This includes units with rusted or corroded fireboxes which have not been reported as rusted or corroded within three (3) months of installation/purchase.

Units which show evidence of being operated while damaged, or with problems known to the purchaser and causing further damages will void this warranty.

Units where the serial no. has been altered, deleted, removed or made illegible will void this warranty.

Minor movement, expansion and contraction of the steel is normal and is not covered under the terms of this warranty.

FPI is not liable for the removal or replacement of facings or finishing in order to repair or replace any appliance in the field.

Freight damages for products or parts are not covered under the terms of the warranty.

Products made or provided by other manufacturers and used in conjunction with the FPI appliance without prior authorization from FPI may void this warranty.

# warranty

## **Limitations of Liability:**

The original purchaser's exclusive remedy under this warranty, and FPI's sole obligation under this warranty, express or implied, in contract or in tort, shall be limited to replacement, repair, or refund, as outlined above. IN NO EVENT WILL FPI BE LIABLE UNDER THIS WARRANTY FOR ANY INCIDENTAL OR CONSEQUENTIAL COMMERCIAL DAMAGES OR DAMAGES TO PROPERTY. TO THE EXTENT PERMITTED BY APPLICABLE LAW, FPI MAKES NO EXPRESS WARRANTIES OTHER THAN THE WARRANTY SPECIFIED HEREIN. THE DURATION OF ANY IMPLIED WARRANTY IS LIMITED TO DURATION OF THE EXPRESSED WARRANTY SPECIFIED ABOVE. IF IMPLIED WARRANTIES CANNOT BE DISCLAIMED, THEN SUCH WARRANTIES ARE LIMITED IN DURATION TO THE DURATION OF THIS WARRANTY.

Some U.S. states do not allow limitations on how long an implied warranty lasts, or allow exclusion or limitation of incidental or consequential damages, so the above limitations or exclusions may not apply to you.

Customers located outside the U.S. should consult their local, provincial or national legal codes for additional terms which may be applicable to this warranty.

## **How to Obtain Warranty Service:**

Customers should contact the authorized selling dealer to obtain warranty service. In the event the authorized selling dealer is unable to provide warranty service, please contact FPI by mail at the address listed below. Please include a brief description of the problem and your address, email and telephone contact information. A representative will contact you to make arrangements for an inspection and/or warranty service.

### Canadian Warrantor:

**FPI Fireplace Products International Ltd.**  
6988 Venture St.  
Delta, British Columbia  
Canada, V4G 1H4

### U.S. Warrantor:

**Fireplace Products U.S., Inc.**  
PO Box 2189 PMB 125  
Blaine, WA  
United States, 98231

Or contact the Regency Customer Care Centre at 1-800-442-7432 (phone) / 604-946-4349 (fax)

## **Product Registration and Customer Support:**

Thank you for choosing a Regency Fireplace. Regency strives to be a world leader in the design, manufacture, and marketing of hearth products. To provide the best support for your product, we request that you complete a product registration form at <http://www.regency-fire.com/Customer-Care/Warranty-Registration.aspx> within ninety (90) days of purchase.



### Product Registration and Customer Support:

Thank you for choosing a Regency Fireplace. Regency strives to be a world leader in the design, manufacture, and marketing of hearth products. To provide the best support for your product, we request that you complete a product registration form found on our Web Site under Customer Care within ninety (90) days of purchase.

For purchases made in **CANADA or the UNITED STATES:**

<http://www.regency-fire.com/Customer-Care/Warranty-Registration.aspx>

For purchases made in AUSTRALIA:

<http://www.regency-fire.com.au/Customer-Care/Warranty-Registration.aspx>

You may also complete the warranty registration form below to register your Regency Fireplace Product and mail and/or fax it back to us, and we will register the warranty for you. It is important you provide us with all the information below in order for us to serve you better.

### Warranty Registration Form (or Register online immediately at the above Web Site):

<b>Warranty Details</b>	
Serial Number (required):	
Purchase Date (required) (mm/dd/yyyy):	
<b>Product Details</b>	
Product Model (required):	
<b>Dealer Details</b>	
Dealer Name (required):	
Dealer Address:	
Dealer Phone #:	
Installer:	
Date Installed (mm/dd/yyyy):	
<b>Your Contact Details (required)</b>	
Name:	
Address:	
Phone:	
Email:	

For purchases made in CANADA:

**FPI Fireplace Products  
International Ltd.**  
6988 Venture St.  
Delta, British Columbia  
Canada, V4G 1H4

Phone: 604-946-5155  
Fax: 1-866-393-2806

For purchases made in the UNITED STATES:

**Fireplace Products US, Inc.**  
PO Box 2189 PMB 125  
Blaine, WA  
United States, 98231

Phone: 604-946-5155  
Fax: 1-866-393-2806

For purchases made in AUSTRALIA:

**Fireplace Products Australia Pty Ltd**  
99 Colemans Road  
Dandenong South, Vic. 3175  
Australia

Phone: +61 3 9799 7277  
Fax: +61 3 9799 7822

For fireplace care and tips and answers to most common questions please visit our Customer Care section on our Web Site. Please feel free to contact your selling dealer if you have any questions about your Regency product.

warranty



*Installer: Please complete the following information*

**Dealer Name & Address:** \_\_\_\_\_  
\_\_\_\_\_

**Installer:** \_\_\_\_\_

**Phone #:** \_\_\_\_\_

**Date Installed:** \_\_\_\_\_

**Serial #:** \_\_\_\_\_