



Onyx Electric

LED ELECTRIC FIRE RANGE

with Thermostatic Remote Control

Models: Onyx EX110/EX150/EX190



Instructions for Use & Installation For use in US (United States) and CA (Canada) **IMPORTANT**

THE HEATER OUTLET GRILLE BECOMES VERY HOT WHILE IN OPERATION. DO NOT COVER THE OUTLET GRILLE OR ANY PART OF THE APPLIANCE.

Please read these instructions carefully before installation. Failure to follow them could result in serious injury.

SAVE THESE INSTRUCTIONS: Leave this manual with the appliance, they will be needed when maintenance or servicing is required.

ONYX EX110	ONYX EX150	ONYX EX190
228-062	228-074	228-080

CONTENTS

Operating Instructions.....	5
Regency Electric App Instructions.....	10
Operating the Appliance - Troubleshooting.....	12
Installation.....	15
Technical Specification.....	17
Control System Technical Data.....	18
Pre-Installation.....	21
Installation.....	25
Framing.....	27
Optional LED Mood Lighting.....	32
Log Sets.....	35
Servicing Instructions.....	46
Spare Parts List.....	62
Wiring Diagram.....	64
Information Requirement - Electric Local Heaters.....	65
Warranty.....	66

WARRANTY

This product carries a 1 year warranty. Please note that all warranties are effective from the date of purchase.

Full terms and conditions are detailed in the Warranty Statement on the Regency website www.regency-fire.com. In the event of any conflict of information the wording on the website shall prevail.

Important Note: Should any problems be experienced with your product, claims must first be submitted to the Dealer where the appliance was purchased from who will offer immediate assistance or contact Regency on your behalf.

IMPORTANT

The hand-held transmitter is configured in the factory with a unique signal code. The hand-held transmitter is ready for use once the 2 AA batteries are installed. If the handset loses its signal or needs to be replaced. See this manual for details.

DISPOSAL



Recycle in accordance with Code of Federal Regulations (CFR), Title 40, Part 273. This device is classified as electrical and electronic equipment. As such, it must not be disposed of with household waste. At the end of its useful life please take this product to an appropriate recycling center or collection point. You can find your nearest recycling drop off point by contacting your locality's waste management office.

SAFETY ALERT KEY



WARNING! Indicates a hazardous situation which, if not avoided could result in death or serious injury. **CAUTION!** Indicates a hazardous situation which, if not avoided, could result in minor or moderate injury.

IMPORTANT

A 15 amp, 60Hz 120 Volt circuit is required for installation of this Appliance. A dedicated circuit is not required, but is highly recommended to prevent circuit breaker from tripping or fuse failure. Failure to provide adequate power to this Appliance will void your warranty. **NOTE: If hard wiring to the Appliance, this must be completed by a qualified electrician. Failure to do so will void your warranty.**

IMPORTANT INSTRUCTIONS

When using electrical appliances, basic precautions should always be followed to reduce the risk of fire, electric shock, and injury to persons, including the following:

1. Read all instructions before installing or using this heater.
2. This heater is hot when in use. To avoid burns, do not let bare skin touch hot surfaces. Keep combustible materials, such as furniture, pillows, bedding, papers, clothes, etc. and curtains at least 3.3'/1m from the front of the heater and keep them away from the sides and rear.
3. Extreme caution is necessary when any heater is used by or near children or invalids and whenever the heater is left operating and unattended.
4. Do not operate any heater after it malfunctions. Disconnect power at service panel and have heater inspected by a reputable electrician before reusing.
5. Do not use outdoors.
6. To disconnect heater, turn controls to off, and turn off power to heater circuit at main disconnect panel (or operate internal disconnect switch if provided).
7. Do not insert or allow foreign objects to enter any ventilation or exhaust opening as this may cause an electric shock or fire, or damage the heater.
8. To prevent a possible fire, do not block air intakes or exhaust in any manner.
9. A heater has hot and arcing or sparking parts inside. Do not use it in areas where gasoline, paint, or flammable vapors or liquids are used or stored.
10. Use this heater only as described in this manual. Any other use not recommended by the manufacturer may cause fire, electric shock, or injury to persons.
11. This heater may include an audible or visual alarm to warn that parts of the heater are getting excessively hot. If the alarm sounds (or illuminates), immediately turn the heater off and inspect for any objects on or adjacent to the heater that may have blocked the airflow or otherwise caused high temperatures to have occurred. **DO NOT OPERATE THE HEATER WITH THE ALARM SOUNDING (OR ILLUMINATING).**
12. ``SAVE THESE INSTRUCTIONS''



WARNING: Cancer and Reproductive Harm
www.P65Warnings.ca.gov

919-874

USER INSTRUCTIONS

ALWAYS check your appliance cord and plug connections with each use!

A. MAKE SURE the plug fits tight in the outlet! Faulty wall outlet connections or loose plugs can cause the outlet to overheat.

B. Appliances draw more current than small appliances. **Overheating** may occur even if it has not occurred with the use of other appliances.

C. During use **check frequently** to see if the **plug outlet** is HOT! If the outlet or faceplate is **HOT, discontinue use immediately** and have a qualified electrician inspect and/or replace the faulty outlets.

We take great care to ensure that our stoves are designed, tested and manufactured to the highest possible quality standards, and pride ourselves on offering the same exemplary after-sales service that goes above and beyond, assuring you years of enjoyment from your Onyx purchase.

SAVE THESE INSTRUCTIONS.

This device complies with Part 15 of the FCC Rules. Operation is subject to the following two conditions:

- (1) This device may not cause harmful interference, and
- (2) This device must accept any interference received, including interference that may cause undesired operation.

FCC warning:

Any Changes or modifications not expressly approved by the party responsible for compliance could void the user's authority to operate the equipment.

Note: This equipment has been tested and found to comply with the limits for a Class B digital device, pursuant to Part 15 of the FCC Rules. These limits are designed to provide reasonable protection against harmful interference in a residential installation. This product generates, uses, and can radiate radio frequency energy and, if not installed and used in accordance with the instructions, may cause harmful interference to radio communications. However, there is no guarantee that interference will not occur in a particular installation. If this product does cause harmful interference to radio or television reception, which can be determined by turning the equipment off and on, the user is encouraged to try to correct the interference by one or more of the following measures:

- Reorient or relocate the receiving antenna.
- Increase the separation between the equipment and receiver.
- Connect the equipment into an outlet on a circuit different from that to which the receiver is connected.
- Consult the dealer or an experienced radio/TV technician for help.

This equipment should be installed and operated with a minimum distance 8" (203 mm) between the radiator and your body. Refer to manual for a copy of the serial decal.

This device complies with Industry Canada licence-exempt RSS standard(s). Operation is subject to the following two conditions:

- (1) this device may not cause interference, and
- (2) this device must accept any interference, including interference that may cause undesired operation of the device.

Under Industry Canada regulations, this radio transmitter may only operate using an antenna of a type and maximum (or lesser) gain approved for the transmitter by Industry Canada. To reduce potential radio interference to other users, the antenna type and its gain should be so chosen that the equivalent isotropically radiated power (e.i.r.p.) is not more than that necessary for successful communication.

This appliance has been approved to the following standards:

- **ICES-003:Issue 6** - Information Technology Equipment (Including Digital Apparatus) -- Limits and Methods of Measurement
- **ANSI C63.4:2014** - American National Standard for Methods of Measurement of Radio-Noise Emissions from Low-Voltage Electrical and Electronic Equipment in the Range of 9 kHz to 40 GHz
- **ANSI C63.10:2013** - American National Standard of Procedures for Compliance Testing of Unlicensed Wireless Devices
- **47 CFR Part 15, Subpart B** - Radio Frequency Devices
- **47 CFR Part 15, Subpart C 15.231** - Radio Frequency Devices
- **C22.2 No 46-13** - Electric Air Heaters
- **UL 2021 (4th Edition)** - Fixed and Location-Dedicated Electric Room Heaters
- **FCC Rules 15C** - Federal Communication Commission
- **RSP-100** - Labelling Requirements for IC
- **RSS-102 Issue 5 (March 2015)** - Radio Frequency (RF) Exposure Compliance of Radiocommunication Apparatus
- **RSS-210 Issue 9 (November 2017)** - Licence-Exempt Radio Apparatus: Category I Equipment
- **RSS-Gen Clause 4.6.1** - General Requirements for Compliance of Radio Apparatus

OPERATING INSTRUCTIONS

WARNING! Do not operate the appliance if it is damaged or has malfunctioned. If you suspect the appliance is damaged or has malfunctioned call a qualified service technician to inspect the appliance, and replace any part of the electrical system if necessary, before reuse. Do not disconnect the power at the main supply while the appliance is running. Use the functions on the remote to turn the fire off and ensure the on/off switch has been moved to the off position before disconnecting.

IMPORTANT

PARTS OF THE OUTER CASING OF THIS APPLIANCE ARE CONSIDERED BY THE MANUFACTURER TO BE A WORKING SURFACE WHICH BECOMES HOT WHEN THE HEATER IS SWITCHED ON. IT IS THEREFORE RECOMMENDED THAT A FIREGUARD COMPLYING WITH BS 8423 (LATEST EDITION) IS USED IN THE PRESENCE OF YOUNG CHILDREN, THE ELDERLY OR INFIRM. THE HEATER OUTLET GRILLE BECOMES VERY HOT WHILE IN OPERATION.

DO NOT COVER THE OUTLET GRILLE OR ANY PART OF THE APPLIANCE.

For use with 120V 60Hz electricity supply only.

Please read these instructions carefully before installation and keep them in a safe place.

They will be needed when maintenance or servicing is required.

THIS APPLIANCE MUST BE EARTHED

THIS PRODUCT IS ONLY SUITABLE FOR WELL INSULATED SPACES AND OCCASIONAL USE.

IMPORTANT INFORMATION AND HEALTH AND SAFETY



WARNING: Improper installation, adjustment, alteration, service or maintenance can cause injury or property damage. Refer to this manual. For assistance or additional information, consult a qualified installer.

Read all of the instructions carefully before using the appliance.

Remove all packaging and dispose of at an appropriate recycling facility.

Do not locate this appliance immediately below a fixed socket outlet.

Parts of the outer casing of this appliance are considered by the manufacturer to be a working surface which becomes hot when the heater is switched on. You must use a suitable fire guard to protect children, the elderly and the infirm.

Do not use this appliance in the immediate surroundings of a bath, shower, swimming pool or any other area where the appliance could come into contact with water or humidity, e.g. a bathroom.



WARNING! DO NOT COVER

Do not allow the appliance to be covered or let the air inlet/outlet become obstructed as the appliance may overheat. Please note the warning symbol on the appliance (see above).

For indoor use only. This appliance is not suitable for use outside the house.

This appliance must be installed in a purpose built studwork enclosure. Ensure the appliance is level and that furniture, curtains etc. are positioned no closer than 1m/3.3 feet.

Where the electricity supply cable has to pass through a fire place, stone surround etc. ensure suitable rubber bushes are fitted at possible wear points.

If installed in an open fireplace, blank off the chimney to reduce the risk of a back draught which can cause the safety cut-out to operate.

Keep the power cord away from hot surfaces and hot conditions. Do not route the power lead in front of the appliance.

When the fire has been installed the position of the plug must be accessible.

If the electricity supply cable is damaged do not use the appliance until it has been replaced. For safety reasons the replacement has to be carried out by a Onyx service agent or a similarly competent electrician.

To ensure that the paint is properly cured, it is recommended that you burn your electric fireplace for at least four (4) hours the first time with the heater on. During the first fire, the unit will release an odour caused by the curing of the paint and the burning off of oils remaining from manufacturing. Smoke detectors may go off at this time. Open windows to ventilate the room for a couple of hours.

CAUTION: In order to avoid a hazard due to inadvertent resetting of the thermal cut-out, this appliance must not be supplied through an external switching device, such as a timer, or connected to a circuit that is regularly switched on and off by the utility.

Do not operate the appliance if it is damaged.

Repairs of electrical appliances must only be performed by an electrical engineer. Should the appliance fail to operate, or in case of any damage, please contact the retailer from whom the appliance was purchased.

This appliance can be used by children aged from 8 years and above and persons with reduced physical, sensory or mental capabilities or lack of experience and knowledge if they have been given supervision or instruction concerning use of the appliance in a safe way and understand the hazards involved. Children shall not play with the appliance. Cleaning and user maintenance shall not be made by children without supervision.

Children of less than 3 years should be kept away unless continuously supervised.

Children aged from 3 years and less than 8 years shall only switch on/off the appliance provided that it has been placed or installed in its intended normal operating position and they have been given supervision or instruction concerning use of the appliance in a safe way and understand the hazards involved. Children aged from 3 years and less than 8 years shall not plug in, regulate and clean the appliance or perform maintenance.

Caution: Some parts of this product can become very hot and cause burns. Particular attention has to be given where children and vulnerable people are present.

However Regency recommend:

This appliance is not intended to be used by persons under the age of 12, persons with reduced physical, sensory or mental capabilities or persons with lack of experience and knowledge in the safe operation of the appliance.

The appliance may be operated by persons above the age of 12 provided they have been instructed in the safe use of the appliance and that they understand the hazards involved. Persons above the age of 12 may also operate the appliance under the supervision of a responsible adult.

Parts of this appliance become hot while in operation and under no circumstances should persons under the age of 12 be left alone with the product when it is in operation unless a suitable fireguard is used to protect them against the possibility of coming into direct contact with the appliance.

Children shall not play with the appliance.

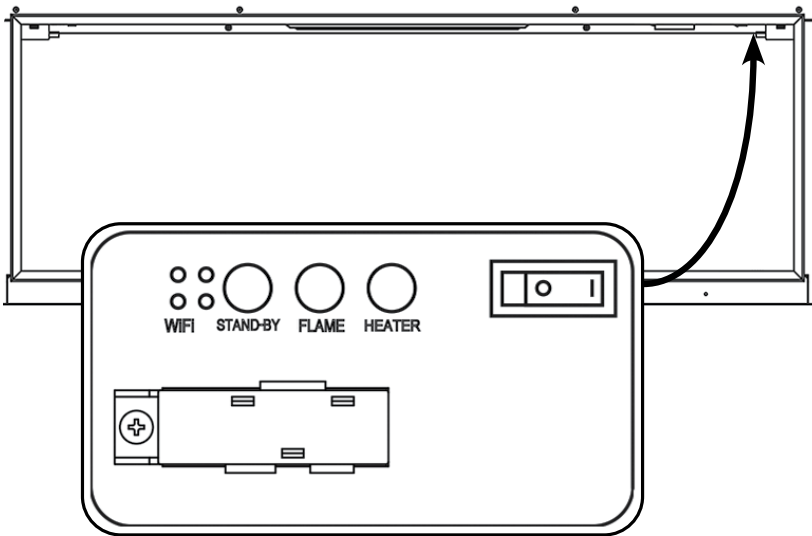
Cleaning and user maintenance shall not be made by children without supervision.

OPERATING INSTRUCTIONS

WARNING! Do not operate the appliance if it is damaged or has malfunctioned. If you suspect the appliance is damaged or has malfunctioned call a qualified service engineer to inspect the appliance, and replace any part of the electrical system if necessary, before reuse.

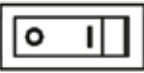




Do not disconnect the power at the main supply **while the appliance is running**. Use the functions on the remote to turn the fire off and ensure the main switch has been moved to the off position before disconnecting.

MANUAL CONTROL PANEL

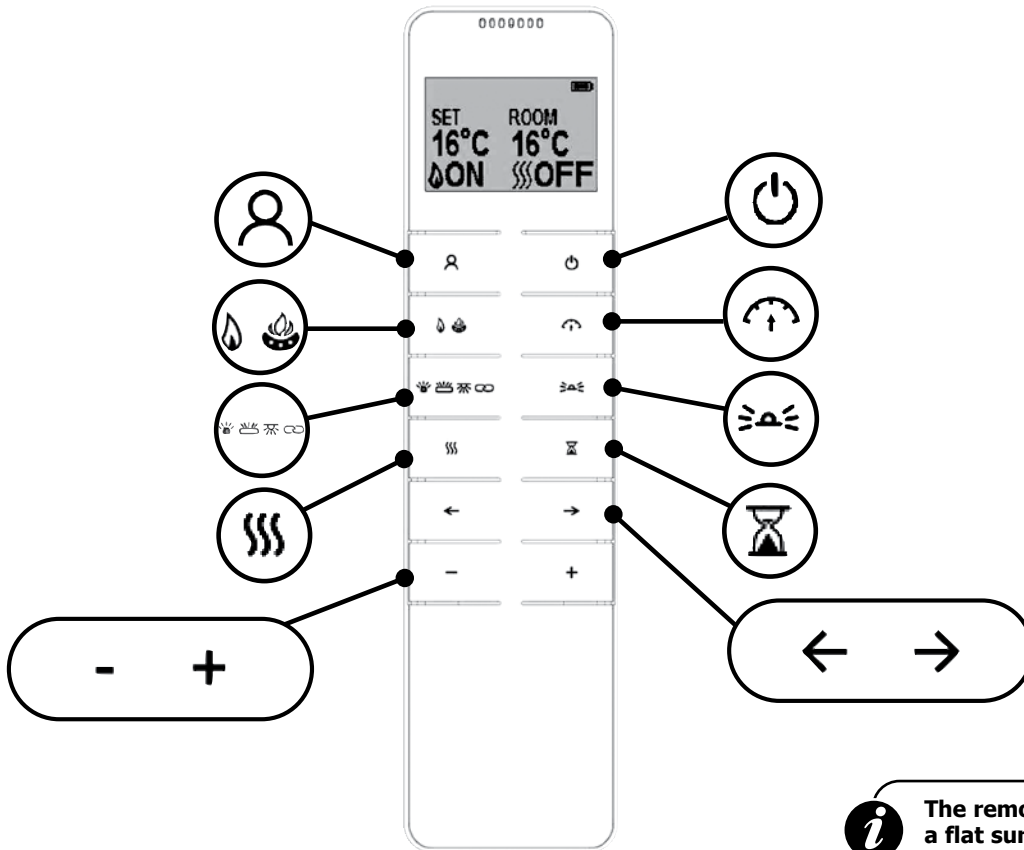


NOTE: To use both remote and manual functions the manual on/off switch must be in 'ON' position. To prevent the product overheating, there is a 10s delay when turning on and off the heater fan.

The manual button controls basic functions. Use the remote hand set to carry out all functions.

BUTTON	FUNCTION	ACTION
 OFF ON	ON: Turns on the standby mode. Enables all of the functions and remote control. OFF: Turns off all of the fireplace functions, and disables remote control.	Turn the main power switch on. A long "beep" will be heard when the switch is turned at ON Position.
 STAND-BY	Press to turn on the flame or turn off the fire.	
 FLAME	Cycles through 9 levels of flame settings, and this corresponds to the setting of MY FLAME on remote and APP. Keep pressing for 3 seconds to turn off the "beep" sound for buttons and remote control.	Cycle through 9 levels of flame settings and flame off.
 HEATER	Press to cycle from AUT-LOW-HIGH-OFF.	The heater will be cycled from Auto – Low – High – Heater Off. The indicator light will illuminate when the heater is turned on. The indicator light will go out within 10s.
 WIFI WIFI	Press to connect or disconnect the network.	The indicator light will illuminate when the WIFI is turned on.

REMOTE CONTROL

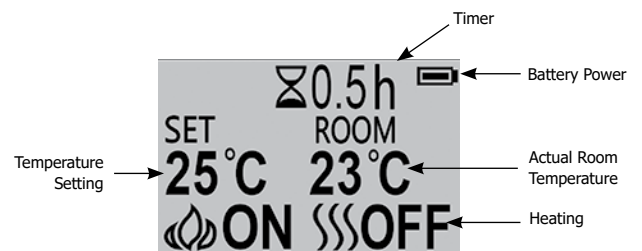
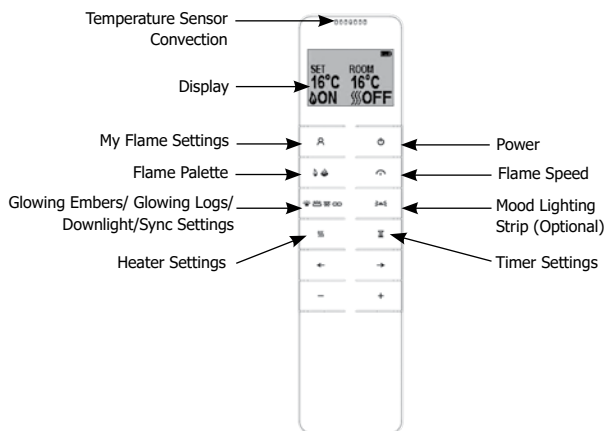


i The remote control should be left on a flat surface in the room where the appliance is installed and away from any direct flow of hot air.

BUTTON	FUNCTION	ACTION
	POWER	The POWER button will turn the fireplace on, and enter standby mode. This will turn on/off all the functions at once but will hold the settings in memory.
	MY FLAME	Press the MY FLAME button followed by '+' and '-' or '←' and '→', the unit will cycle through 9 flame settings. Flames 1-6 are default settings, 7-9 can be saved as custom settings.
	MAIN FLAME/ FLAME PALETTE	Press the MAIN FLAME button to enter the main flame effect adjustment screen, press '←' and '→' button to cycle through Red - Amber - Yellow - Green - Cyan - Blue - Purple - White - 8 Colour Cycling - Off. Press '+' and '-' button to adjust the brightness from 10 -100%, total six settings including Off. Press again to enter the FLAME PALETTE adjustment screen. Press '←' and '→' button to cycle through Red - Amber - Yellow - Green - Cyan - Blue - Purple - White - 8 Colour Cycling - Off. Press '+' and '-' button to adjust the brightness from 10 -100%, total six settings including Off.
	FLAME SPEED	Press the button to enter the FLAME SPEED settings. Press '+' and '-' button to adjust the speed by five settings.

BUTTON	FUNCTION	ACTION
	GLOWING EMBERS/ GLOWING LOGS/ DOWN LIGHT/ SYNC	<p>Press the button to enter the GLOWING EMBERS settings, press '←' and '→' button to cycle through Red - Amber - Yellow - Green - Cyan - Blue - Purple - White - 8 Colour Cycling - Off. Press '+' and '-' button to adjust the brightness from 10-100%, total six settings including Off.</p> <p>Press again to enter the GLOWING LOGS adjustment screen. Press '←' and '→' button to cycle through Red - Amber - Yellow - Green - Cyan - Blue - Pink - White - 12 Colour Cycling - Red/Amber/Yellow - Yellow/Pink/Amber - Cyan/Blue/Pink - Off. Press '+' and '-' button to adjust the brightness from 10-100%, total six settings including Off.</p> <p>Press again to enter the DOWN LIGHT adjustment screen. Press '←' and '→' button to cycle through Red - Amber - Yellow - Green - Cyan - Blue - Purple - White - 8 Colour Cycling - Off. Press '+' and '-' button to adjust the brightness from 10-100%, total six settings including off.</p> <p>Press the button the fourth time to enter the SYNC, the colours of flame palette, fuel bed, log burning and down light could be synced. Press '←' and '→' button to cycle through Red - Amber - Yellow - Green - Cyan - Blue - Purple - White - 8 Colour Cycling - Off. Press '+' and '-' button to adjust the brightness from 10-100%, total six settings including off.</p>
	AMBIENT LIGHT	<p>Press the button to enter the AMBIENT LIGHT settings, and the setting will cycle through Cold White - White - Warm White - Light Amber - Amber - Yellow - Gold Yellow - Red - Green - Cyan - Blue - Light Purple - Purple -13 Colour Cycling and Off. Press '+' and '-' button to adjust the brightness from 10-100%, total six settings including Off.</p>
	HEATING	<p>Press the HEATING button, and the heater will cycle the heat setting: AUT - LOW - HIGH - OFF. The AUTO heating will work after the weekly timer has been set in the MyFlame App.</p>
	TIMER	<p>Press the TIMER button to set the desired time for the fireplace to run. The Timer can be set 0.5H, 1.0H, and then each hour up to 10.0H.</p>
	-	<p>Press the '←' and '→' button to choose different settings such as the colour settings of the corresponding function.</p>
	-	<p>Press the '+' and '-' button to increase or decrease the settings such as the light setting.</p>

OPERATING THE APPLIANCE - ADVANCED OPERATION



TURN ON/OFF

Press button to turn on the flame effect.

Press button to turn off all the functions under the manual heating control mode.

Press button to turn off the flame effect under AUTO heating mode.

WEEK DAYS/ TIME/ TEMPERATURE AND UNIT SETTING

These settings can be set and controlled through the MyFlame app function.

ADJUSTING THE SET TEMPERATURE

Press the '+' or '-' button to increase or decrease the temperature.

ADAPTIVE START CONTROL

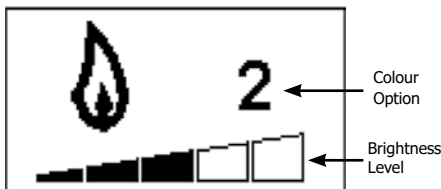
The heater will automatically determine the appropriate time to heat to ensure that it will reach the set-pointed temperature at the set time (up to 45 minutes prior to the set time).

MAIN FLAME COLOUR ADJUSTMENT

Press 🔥 button until 🔥 appears.

There are 10 flame colour options including OFF.

There are 6 levels of brightness, including OFF.



Press the '<' or '>' button to cycle through the flame colour options.

Press the '+' button to increase the flame brightness.

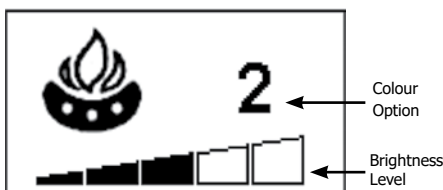
Press the '-' button to decrease the flame brightness until off.

FLAME BLEND COLOUR ADJUSTMENT

Press 🔥 button until 🔥 appears.

There are 10 flame colour options including OFF.

There are 6 levels of brightness, including OFF.



Press the '<' or '>' button to cycle through the flame colour options.

Press the '+' button to increase the flame brightness.

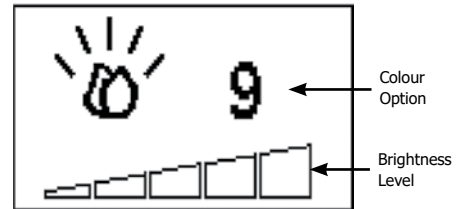
Press the '-' button to decrease the flame brightness until off.

GLOWING EMBERS ADJUSTMENT

Press 🔥 button until 🔥 appears

There are 10 flame colour options including OFF.

There are 6 levels of brightness, including OFF.



Press the '<' or '>' button to cycle through the fuel bed colour options.

Press the '+' button to increase the fuel bed brightness.

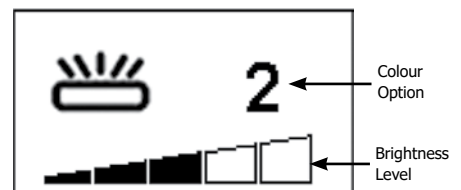
Press the '-' button to decrease the fuel bed brightness until off.

GLOWING LOGS ADJUSTMENT

Press 🔥 button until 🔥 appears

There are 13 flame colour options including OFF.

There are 6 levels of brightness, including OFF.



Press the '<' or '>' button to cycle through the fuel bed colour options.

Press the '+' button to increase the fuel bed brightness.

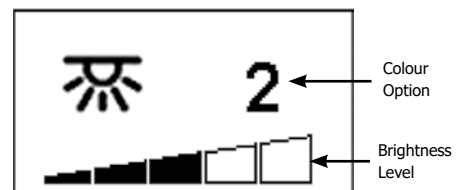
Press the '-' button to decrease the fuel bed brightness until off.

DOWNLIGHT ADJUSTMENT

Press 🔥 button until 🔥 appears

There are 10 flame colour options including OFF.

There are 6 levels of brightness, including OFF.



Press the '<' or '>' button to cycle through the fuel bed colour options.

Press the '+' button to increase the fuel bed brightness.

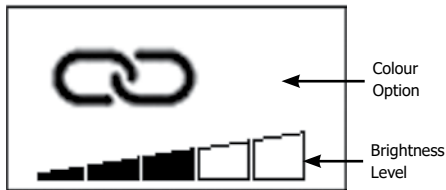
Press the '-' button to decrease the fuel bed brightness until off.

COLOUR SYNC OPTION

Press button until appears.
This function links all the colours together.

There are 10 flame colour options including OFF.

There are 6 levels of brightness, including OFF.



Press the ' \leftarrow ' or ' \rightarrow ' button to cycle through the colour options.

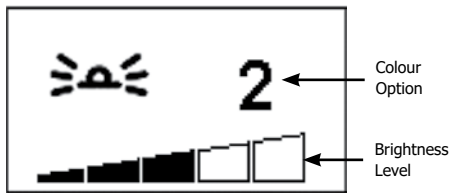
AMBIENT MOOD LIGHTING ADJUSTMENT

Optional. Must be purchased separately. See manual for details.

Press button.

There are 14 flame colour options including OFF.

There are 6 levels of brightness, including OFF.



Press the ' \leftarrow ' or ' \rightarrow ' button to cycle through the fuel bed colour options.

Press the '+' button to increase the fuel bed brightness.

Press the '-' button to decrease the fuel bed brightness until off.

FLAME SPEED ADJUSTMENT

Press button.



Press the '+' button to increase the flame speed.

Press the '-' button to decrease the flame speed.

MY FLAME COLOUR PRESETS

Press button and the Preset Number will appear.



There are 9 flame colour presets.
Press the '+' or '-' button or ' \leftarrow ' or ' \rightarrow ' to change the Preset.

1-3 are realistic flame combinations.

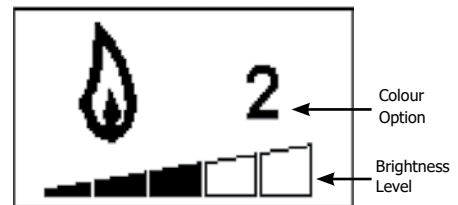
4-6 are vivid colour palette combinations.

7 is all red.

8 is all green

9 is all blue.

7-9 have been created for custom flame combinations.



To create a custom flame effect:

Change the colour and density of Main Flame/ Flame Palette/ Ember bed/Logs/Downlight and Speed (Not Ambient Mood LED strip).

To confirm the settings press My Flame button for at least 3 seconds. The remote gives the choice to save it to 7, 8 or 9.

Select number (+ or - / ' \leftarrow ' or ' \rightarrow ') and press My Flame button again.

The product saves the personal setting.

COUNT DOWN TIMER

This setting is only in normal heating control mode. It allows the appliance to be returned to Standby after a set period of time. The heater must be switched on to use this function.

Press to cycle through the setting from Off and 0.5 hours to 10 hours. Timer logo and remaining time will show on the screen.

REGENCY ELECTRIC APP INSTRUCTIONS

APP SET UP

Downloading the Regency Electric App

Easily control your Regency Electric Fireplace's full range of features from your smart phone or tablet using the Regency Electric app. This easy-to-use app will unlock the full potential of these incredible electric fireplaces and is available on the Apple App Store or Google Play Store. **Locate the Regency Electric app by searching for MUS FLAME on Apple App Store or Google Play Store.**

Pairing Your Fireplace Automatically

1. Ensure "Auto Scan" is selected at the top of the screen.
2. If your fireplace is off, turn it on now.
3. The Wi-Fi connection on your electric fireplace will now need to be put to pairing mode to connect to the app.
4. To do this, press and hold the Wi-Fi button on the unit, for 3 seconds until a beep is heard and the fuel bed flashes to indicate that the fireplace is in pairing mode. When the fireplace icon is found on screen, click Next.
5. The app will now load and pair the fireplace with the app.
 - a. If you are having problems connecting automatically, try pairing the fireplace in Manual Mode.
6. Once connected, the fuel bed will glow a solid color. Click done to finish pairing the fireplace.
7. Turn on the fireplace using the power button next to your paired fireplace name.
8. Click on the fireplace name, and you will now enter the home screen to control the fireplace.

Pairing Your Fireplace Manually

1. Ensure "Add Manually" is selected at the top of the screen. Then choose option A. (choose option B or C if you are pairing a second or 3 fireplace in your home).
2. Enter your home Wi-Fi network and password and click Next. Repeat steps.
3. The Wi-Fi connection on your electric fireplace will now need to be put to pairing mode to connect to the app.
4. To do this, press and hold the Wi-Fi button on the unit, for 3 seconds until a beep is heard and the fuel bed flashes to indicate that the fireplace is in pairing mode. When the fireplace icon is found on screen, click Next.
5. The app will now load and pair the fireplace with the app.
6. Once connected, the fuel bed will glow a solid color. Click done to finish pairing the fireplace.
7. Turn on the fireplace using the power button next to your paired fireplace name.
8. Click on the fireplace name, and you will now enter the home screen to control the fireplace.

Adding Multiple Users for a Fireplace on the App

1. Connect your fireplace to the app.
2. From the Home Screen, click the edit button in the upper right corner.
3. Click "Share Device".
4. Click "Add Sharing".
5. Enter the email associated with the new user (email must match the email they used to sign up to the app).
6. The new user will get a notification that they have been added to the fireplace.

Set Temperature Units C/F

1. Click on the 3 bars in the top left corner to set your Temperature Units.
2. Depending on your preference, select either Celsius or Fahrenheit.

HOME SCREEN MANUAL CONTROLS

Power Button – Turns the fireplace on/off

Flame Button – Turns the flame on/off

Heater Button – Turns the heater on/off

Flame & Heating Adjustment – Manual & Automatic

1. To control the heating adjustments manually, use the circle scroll wheel in the center of the screen. The target temperature is displayed in the middle. The smaller button above indicates the current room temperature.
2. Ensure the left orange Flame button is set to Manual.
3. Ensure the right orange Heat button is either set to Low or High
4. To control the heating adjustments automatically, Ensure the left orange Flame button is set to Automatic. Ensure the right orange Heat button is set to Automatic.

*Note: To use automatic controls, the APP Power, Flame & Heat buttons must be turned on.

Timer Button

1. A basic timer can be set from the home screen by tapping the hourglass timer symbol.
2. Click on the numbers in the top right corner.
3. From here you can set the duration of time in which you want your fireplace to turn off.
4. Click Save or Cancel.
5. Click the icon again to remove the timer.

DROP DOWN MENU CONTROLS

Flame Adjustment – My Flame (Onyx Only)

1. To access My Flame settings, click on the 3 bars in the top left corner.
2. Select the My Flame button.
3. There are 6 pre-set flame palettes. Choose 1 of 6, or set your own using options 7-9.
4. To customize a flame to your liking – Choose 7, 8 or 9.
5. Go back to your menu & select your customization options (Main Flame, Flame Palette, Speed, Fuel Bed & Downlight).
6. Go back to My Flame and click "Save" then Click on the 7, 8 or 9 that you picked in above step.

Flame Adjustment – Main Flame/Flame

1. To access Main Flame Adjustment settings, click on the 3 bars in the top left corner.
2. Select the Main Flame button.
3. Use the scroll wheel to adjust the Flame color. Use the slider below to adjust the flame brightness. Use the second slide to adjust the flame speed.
4. You can also turn the Flame on or off using the toggle button.

Flame Adjustment – Flame Palette (Onyx Only)

1. To access Flame Palette Adjustment settings, click on the 3 bars in the top left corner.
2. Select the Flame Palette button.
3. Use the scroll wheel to adjust the Flame color. Use the slider below to adjust the flame brightness. Use the toggle button to match your Flame Palette to your Fuel Bed choice.
4. You can also turn the Flame on or off using the toggle button.

Flame Adjustment – Flame Speed (Onyx Only)

Same as Main Flame adjustments

Flame Adjustment – Fuel Bed

1. To access Fuel Bed settings, click on the 3 bars in the top left corner.
2. Select the Fuel Bed button.
3. Use the scroll wheel to select the Fuel Bed Color. Use the slider below to adjust the brightness.
4. You can also turn the Fuel Bed on or off using the toggle button.

Flame Adjustment – Glowing Logs (Onyx Only)

1. To access Glowing Logs Adjustment settings, click on the 3 bars in the top left corner.
2. Select the Glowing Logs button.
3. Use the scroll wheel to adjust the color. Use the slider below to adjust the brightness. Use the toggle button to match your Flame Palette to your Fuel Bed choice.
4. You can also turn the Glowing Logs on or off using the toggle button.

Flame Adjustment – Down Light (Onyx Only)

1. To access Down Light Adjustment settings, click on the 3 bars in the top left corner.
2. Select the Down Light button.
3. Use the scroll wheel to adjust the color. Use the slider below to adjust the brightness. Use the toggle button to match your Flame Palette to your Fuel Bed choice.
4. You can also turn the Glowing Logs on or off using the toggle button.

Flame Adjustment – Mood Light

1. Step 1 - To access Ambient Mood Light settings, click on the 3 bars in the top left corner.
2. Step 2 - Select the Mood Light button.
3. Step 3 - Use the scroll wheel to select the Ambient Mood Light Color. Use the slider below to adjust the brightness.
4. You can also turn the Mood Light on or off using the toggle button.

Set Flame Program

*Note: Ensure the left orange Flame button on the home screen is set to AUTO.

*Note: To use automatic controls, the APP Power, Flame & Heat buttons must be turned on.

1. To program your fireplace to turn on and off according to a set schedule, click the 3 bars in the top left corner and tap on Set Flame Program.
2. You can set a weekly timer for your flame up to 4 time periods a day according to 4 different weekly schedules.
3. Select the time slot and set the start and end times for when you would like your fireplace to turn on & off.
4. Ensure the time slot is active (indicated with a orange check mark).
5. Choose which days you would like the program to repeat on.
6. Tap save to save the program.

Set Heater Program

*Note: Ensure the right orange Heat button on the home screen is set to AUTO.

*Note: To use automatic controls, the APP Power, Flame & Heat buttons must be turned on.

1. To program your fireplace to heat according to a set schedule, click the 3 bars in the top left corner and tap on Set Heater Program.
2. You can set a weekly timer for your fireplace to heat at target temperatures up to 4 time periods a day according to 4 different weekly schedules.
3. Select the time slot and set the start and end times for when you would like your fireplace to heat. Click save.

4. Select the temperature slot and set the target temperature. Click save.
5. Ensure the time slot is active (indicated with a orange check mark).
6. Choose which days you would like the program to repeat on.
7. Tap save to save the program.

HOME MANAGEMENT

If you have multiple devices in your home, you may create a home to manage them all.

Create a "Home"

1. Click on the down arrow from the home screen.
2. Click on "Home Management".
3. Click on "Create a Home".
4. Enter a home name. Location is optional.
5. Click Save.
6. Now you can add multiple fireplaces to your home.

To Delete a User from your home

1. From the Home Screen, click the edit button in the upper right corner.
2. Click "Share Device".
3. Swipe Left on the user profile you want to delete.
4. Click Confirm.

TROUBLESHOOTING

1. If you are having problems pairing your fireplace, please clear the cache in the app.
 - o From the home screen - Go to "Me".
 - o Click on Settings icon in upper right corner.
 - o Click "Clear Cache".
2. Power Outages or Wifi Disruption
 - o If unit is on, but power was disconnected (ie power outage), press the wifi button 1 time to connect again (after power has been restored).
 - o If unit got turned off for maintenance or other reasons, turn the unit back on, then press the wifi button 1 time to connect again.
 - o If your cell phone wifi disconnects, the fireplace will remember your phone. There should not be a reason to reconnect to the fireplace.
 - o If your home wifi disconnects, you need to reset the unit & pair your phone to the unit all over again.

OPERATING THE APPLIANCE - TROUBLESHOOTING

BATTERY

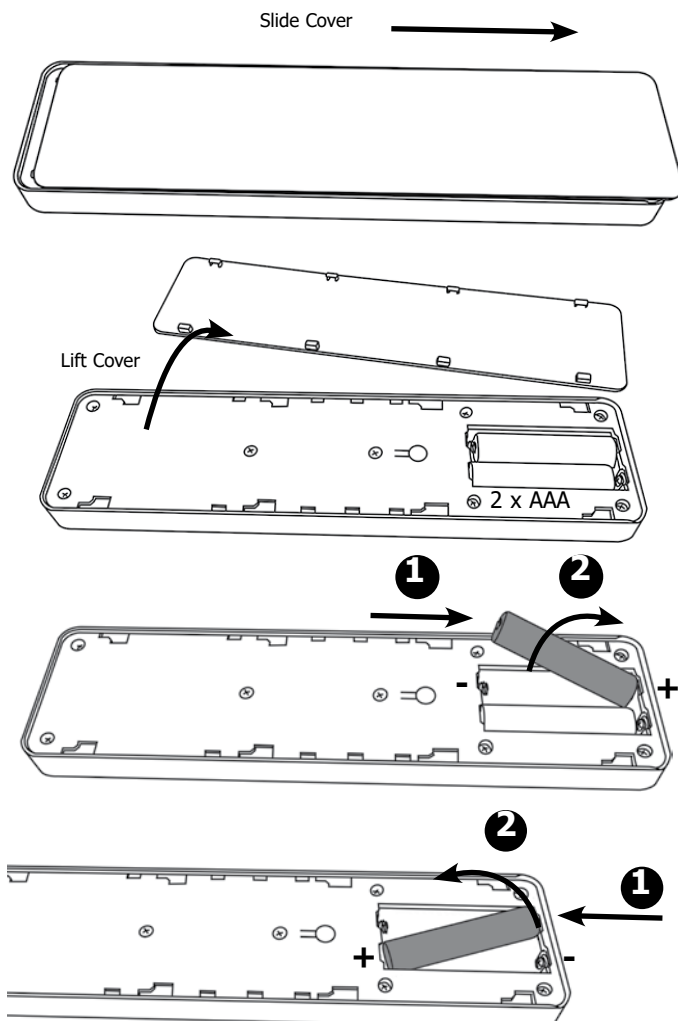
The battery power level is indicated at the top right of the remote control screen.

	Battery Full	No action required
	Battery Half Power	Ensure new batteries are available.
	Battery Empty	Replace batteries immediately

i **NOTE:** The remote control has a Battery Status indicator (top right corner), after an extended period of displaying empty the LED screen will cease to function despite the handset still being able to send commands. Replace the batteries to restore display.

BATTERY REPLACEMENT

Exhausted batteries are to be removed from the appliance and safely disposed of.



Ensure that the handset batteries are new and inserted correctly.

Dispose of old batteries at an appropriate recycling facility.

Battery replacement is recommended after 1 year. The Remote requires two 1.5V alkaline AAA batteries.

Ensure the correct polarity.
Do not short circuit the terminals.

Do not attempt to recharge non-rechargeable batteries.

Remove rechargeable batteries before charging.

Do not mix old and new batteries.

Remove batteries if the appliance is not used for long periods.

i **NOTE:** To use both remote and manual functions the manual on/off switch must be in 'ON' position. In order to prevent the product becoming too hot, there is 10s delay when turning on the heater and a 10s delay when turning off the heater fan.

The manual button controls basic functions, not a full range of controls. Use the remote hand set to carry out all functions.

HEATER RUNNING INDICATORS

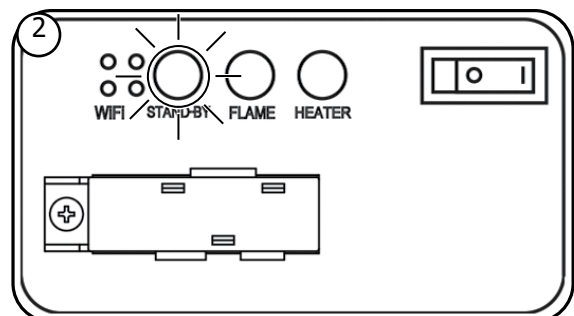
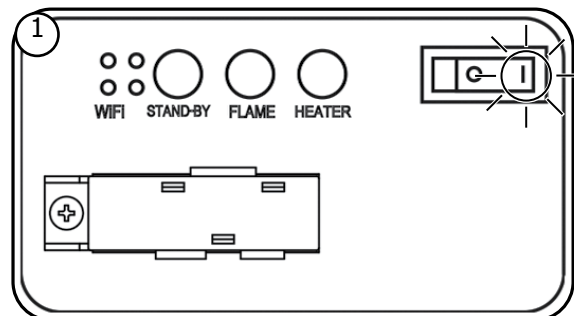
When the fan heater is used in conjunction with the flame or fuel bed effects the heater running indicators will light up for 10 seconds.

The LEDs will illuminate for 10 seconds if the flame or fuel bed effect is On.

If the fan heater is used independently, the heater running indicators will stay on.

IMPORTANT: If the handset loses signal or needs to be replaced, see Servicing Instructions for details.

RESET BUTTON FOR REMOTE CONTROL

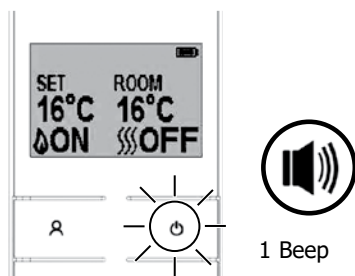


3 seconds



2 Beeps

3



IMPORTANT: If the handset loses signal or needs to be replaced, see Servicing Instructions for details.

SIGNAL CODE

The handheld transmitter is configured in the factory with a unique signal code.

IMPORTANT: If the handset loses signal or needs to be replaced, see Servicing Instructions for details.

MAINTENANCE

ENSURE THE APPLIANCE IS TURNED OFF BEFORE CLEANING.

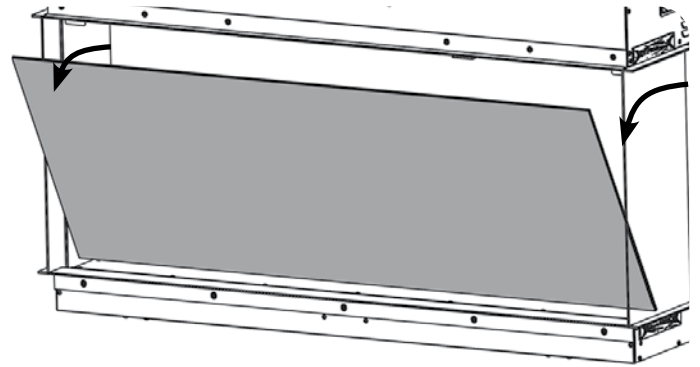
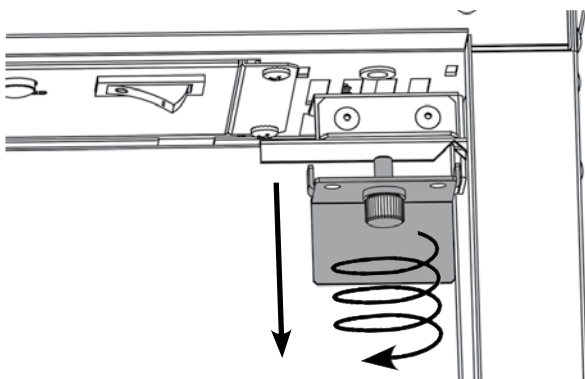
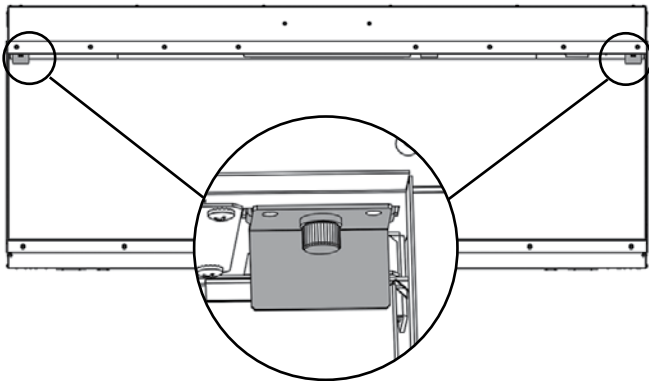
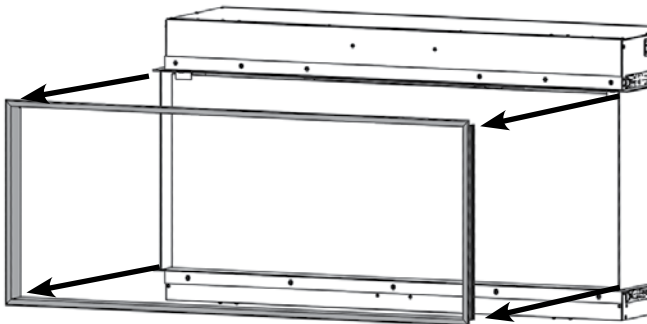
Wait for at least 10 minutes until the appliance has cooled down prior to cleaning glass.

GLASS CLEANING

Wipe the glass viewing panel with a damp cloth and buff with a lint free duster.

Caution: Do not use abrasive cleaners on the glass panel. Do not spray liquids directly onto any surface of the unit.

CLEANING THE FUEL EFFECT



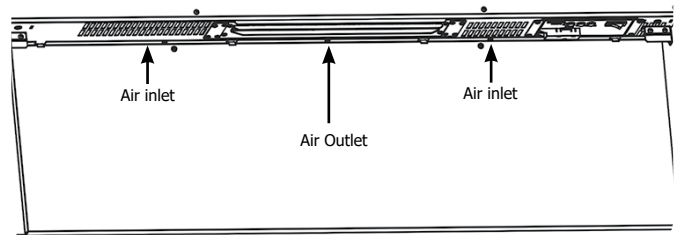
Remove and wash the fuel effect to remove any dust particles. Alternatively clean with a lint free duster. **Ensure that the effect is dry before replacing.**

Replace the fuel effect see Installation Instructions Section 5 for layout.

Replace in reverse order.

CLEANING AIR INLETS

Clean the air inlet and outlet grilles regularly with a soft cloth or the nozzle of a vacuum cleaner.



Dust build-up can inhibit efficient performance of the fan and lead to the safety cut-out operating.

Keep the area around the appliance clean and free of fluff, dust or pet hair.

In particular, build-up of dust etc. can occur around the heater area. Take particular care to keep this area free from such particles on a regular basis to prevent build-up.

SERVICING AND SUPPORT

To keep your appliance looking and performing at its best, it must be serviced annually. This service must be undertaken by a suitably qualified individual and your retailer can organize this for you.

INSTALLATION

GENERAL

TOOLS REQUIRED

A Screwdriver, Spirit Level, Saw and Drill will be needed.

UNPACKING THE FIREPLACE

WARNING! DO NOT use this appliance if any part has been exposed to water.

Immediately call a qualified service technician to inspect and to replace any part of the electrical system if necessary.

Open the packaging carefully and remove the polystyrene. Remove and discard the plastic bag. Keep plastic wrapping away from children. Be responsible when handling the packing materials.

Check all parts and accessories are removed before disposing of any packaging. If necessary keep the original packaging for future transport and/or storage.

Test the appliance before installation.

WARNING! KEEP ALL COMBUSTIBLE MATERIALS AT LEAST 1M/3.3' FROM THE FRONT OF THE ELECTRIC FIREPLACE.

SERIAL DECALS

EX110

		WARNING: DISCONNECT FROM POWER BEFORE SERVICING PRODUCT AVERTISSEMENT : DÉBRANCHER AVANT L'ENTRETIEN	
MODEL No. / MODÈLE No.	228-062		C US
SERIAL No. / No de SÉRIE			
VOLTAGE / TENSION	120V~ / 60Hz	FCC ID: 2AQ67-ONYX IC: 24306-ONYX CAN ICES-3(B)/NMB-3(B)	PR3210
POWER / PUISSANCE	1500W		
CURRENT / COURANT	12.5A		
WEIGHT / POIDS	105.2LB		
Delta, British Columbia, V4G 1H4			

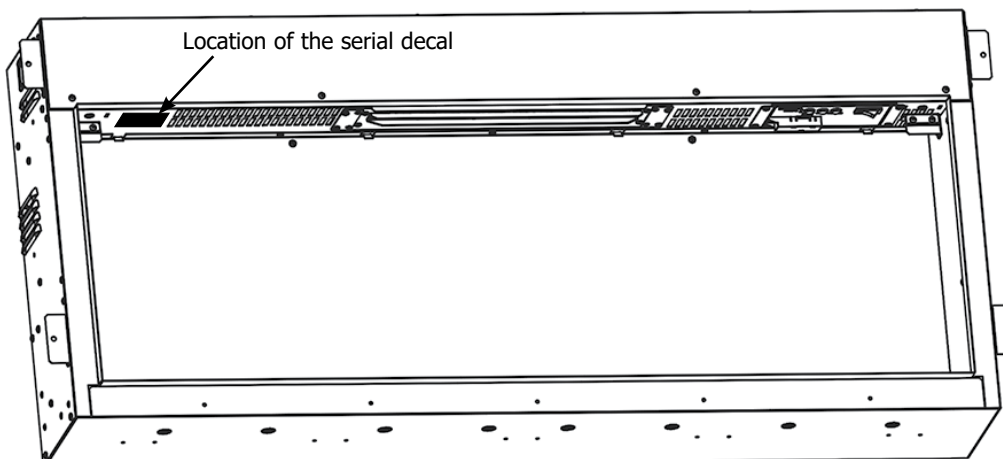
EX150

		WARNING: DISCONNECT FROM POWER BEFORE SERVICING PRODUCT AVERTISSEMENT : DÉBRANCHER AVANT L'ENTRETIEN	
MODEL No. / MODÈLE No.	228-074		C US
SERIAL No. / No de SÉRIE			
VOLTAGE / TENSION	120V~ / 60Hz	FCC ID: 2AQ67-ONYX IC: 24306-ONYX CAN ICES-3(B)/NMB-3(B)	PR3210
POWER / PUISSANCE	1500W		
CURRENT / COURANT	12.5A		
WEIGHT / POIDS	135.5LB		
Delta, British Columbia, V4G 1H4			

EX190

		WARNING: DISCONNECT FROM POWER BEFORE SERVICING PRODUCT AVERTISSEMENT : DÉBRANCHER AVANT L'ENTRETIEN	
MODEL No. / MODÈLE No.	228-080		C US
SERIAL No. / No de SÉRIE			
VOLTAGE / TENSION	120V~ / 60Hz	FCC ID: 2AQ67-ONYX IC: 24306-ONYX CAN ICES-3(B)/NMB-3(B)	PR3210
POWER / PUISSANCE	1500W		
CURRENT / COURANT	12.5A		
WEIGHT / POIDS	171LB		
Delta, British Columbia, V4G 1H4			

LOCATION OF SERIAL DECAL



Note: For illustration purposes only. May not be exactly as shown.

FITTING THE APPLIANCE

LOCATING THE ONYX

Your new Onyx may be installed virtually anywhere in your home. However, when choosing a location ensure that the general instructions are followed.

For best results, install out of direct sunlight.

The heater should ideally be fitted into/onto an internal flat wall constructed from either wood studs and drywall, block/brick. The fixings provided are for use on brick walls ONLY. Please ensure that suitable fixings are used when securing to any hollow or purpose built cavity.

NOTE: This appliance is not suitable for fitting to a Cavity Wall, backing on to an outside wall, an open chimney or any opening that may be subject to damp and draft, unless adequate precautions are taken to avoid the appliance coming into contact with moisture or excessive drafts. In such installations, any existing chimney and/or purpose provided air vents should be fully sealed.

For exterior/outside walls, insulate the enclosure to the same degree as the rest of the house, apply vapor barrier and drywall, as per local installation codes. Do not insulate the appliance itself.

Make sure there are no pipes or cables behind the area to be drilled or cut.

Always ensure the appliance is adequately supported and sits on a firm structure when mounting above floor level.

The appliance should ideally be located close to a suitable main socket to enable connection. An extension could be run from an existing socket outlet but this must be carried out by a suitably qualified electrical engineer.

The electrical socket must be easily accessible to allow disconnection when the appliance is fitted.

If the power cord is damaged, it must be repaired by the manufacturer, its authorised service centre or professional person.

Ensure that curtains and furniture are not positioned close to the chosen position, as this would create a potential fire hazard or block the heater outlet ducts.

WARNING! KEEP ALL COMBUSTIBLE MATERIALS AT LEAST 3.3'/1M FROM THE FRONT OF THE ELECTRIC FIREPLACE.

SERVICING REQUIREMENTS



DURING SERVICING OF THIS APPLIANCE IT MAY BE NECESSARY TO CUT CABLE TIES IN ORDER TO ACCESS AND REMOVE SOME OF THE PARTS. THESE MUST BE REPLACED WHEN REASSEMBLING THE APPLIANCE.

THIS APPLIANCE MUST ONLY BE SERVICED BY A SUITABLY QUALIFIED PERSON.

BEFORE UNDERTAKING ANY WORK ON THE APPLIANCE: SWITCH OFF THE APPLIANCE AND ISOLATE THE POWER SUPPLY ENSURING THERE IS NO POWER TO THE APPLIANCE.

Wait for at least 10 minutes until the appliance has cooled down.

Remote Handset Battery Replacement

Replace with 2 AAA batteries. Make sure the batteries are installed correctly in the remote control.



NOTE: The remote control has a Battery Status indicator (top right corner), after an extended period of displaying empty the LED screen will cease to function despite the handset still being able to send commands. Replace the batteries to restore display.

Maintenance of Motors

The motor used on the flame effect is pre-lubricated for extended bearing life and requires no further lubrication. However, periodic cleaning/vacuuming of the heater unit is recommended.

Resetting the Thermal Cutout Switch

The appliance is fitted with an Electronic Safety Control (E.S.). This is a safety device which switches off the fire if, the appliance overheats for any reason e.g. when covered.

If the heater stops operating while the flame effect continues normally, this indicates that the E.S. Control is in operation.

The E.S. Control can only be re-set after the appliance has cooled down.

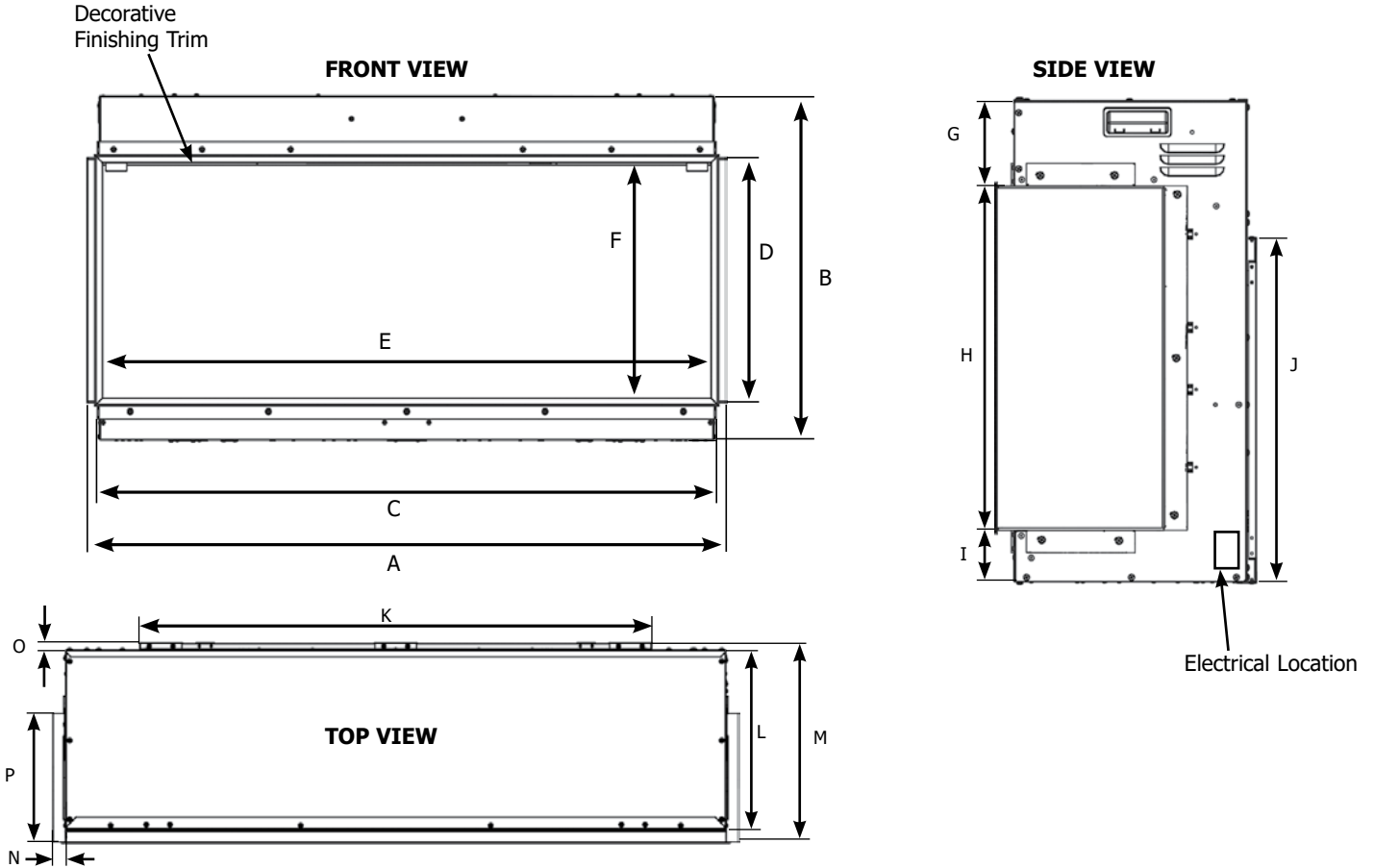
To re-set the E.S:

Switch off the appliance (Manual On/Off switch) and leave for approximately 120 minutes.

Remove any obstruction to the fan heater outlet or other internal parts.

Switch on appliance and the E.S. Control will re-set. Ensure that the appliance is functioning correctly. If the E.S. Control operates again, the appliance should be checked by a competent Electrician.

TECHNICAL SPECIFICATION

ONYX EX110
ONYX EX150
ONYX EX190


MODEL	A	B	C	D	E	F	G	H
	(inches/mm)							
Onyx EX110	45-7/16" (1154 mm)	24-3/4" (628 mm)	44" (1118 mm)	17-7/16" (443 mm)	43-5/16" (1100 mm)	16-3/4" (425 mm)	4-3/8" (111 mm)	17-3/8" (442 mm)
Onyx EX150	61-3/16" (1554 mm)	24-3/4" (628 mm)	59-3/4" (1518 mm)	17-7/16" (443 mm)	59-1/16" (1500 mm)	16-3/4" (425 mm)	4-3/8" (111 mm)	17-3/8" (442 mm)
Onyx EX190	78-15/16" (2005 mm)	24-3/4" (628 mm)	77-1/2" (1968 mm)	17-7/16" (443 mm)	76-3/4" (1950 mm)	16-3/4" (425 mm)	4-3/8" (111 mm)	17-3/8" (442 mm)

MODEL	I	J*	K*	L	M	N	O	P
	(inches/mm)							
Onyx EX110	2-5/8" (66-1/2 mm)	17-1/2" (445 mm)	33-15/16" (862 mm)	11-13/16" (300 mm)	13-1/4" (336 mm)	7/8" (22 mm)	1/2" (12 mm)	8-1/2" (216 mm)
Onyx EX150	2-5/8" (66-1/2 mm)	17-1/2" (445 mm)	50-9/16" (1284 mm)	11-13/16" (300 mm)	13-1/4" (336 mm)	7/8" (22 mm)	1/2" (12 mm)	8-1/2" (216 mm)
Onyx EX190	2-5/8" (66-1/2 mm)	17-1/2" (445 mm)	69-7/16" (1764 mm)	11-13/16" (300 mm)	13-1/4" (336 mm)	7/8" (22 mm)	1/2" (12 mm)	8-1/2" (216 mm)

*Wall Mounting Bracket

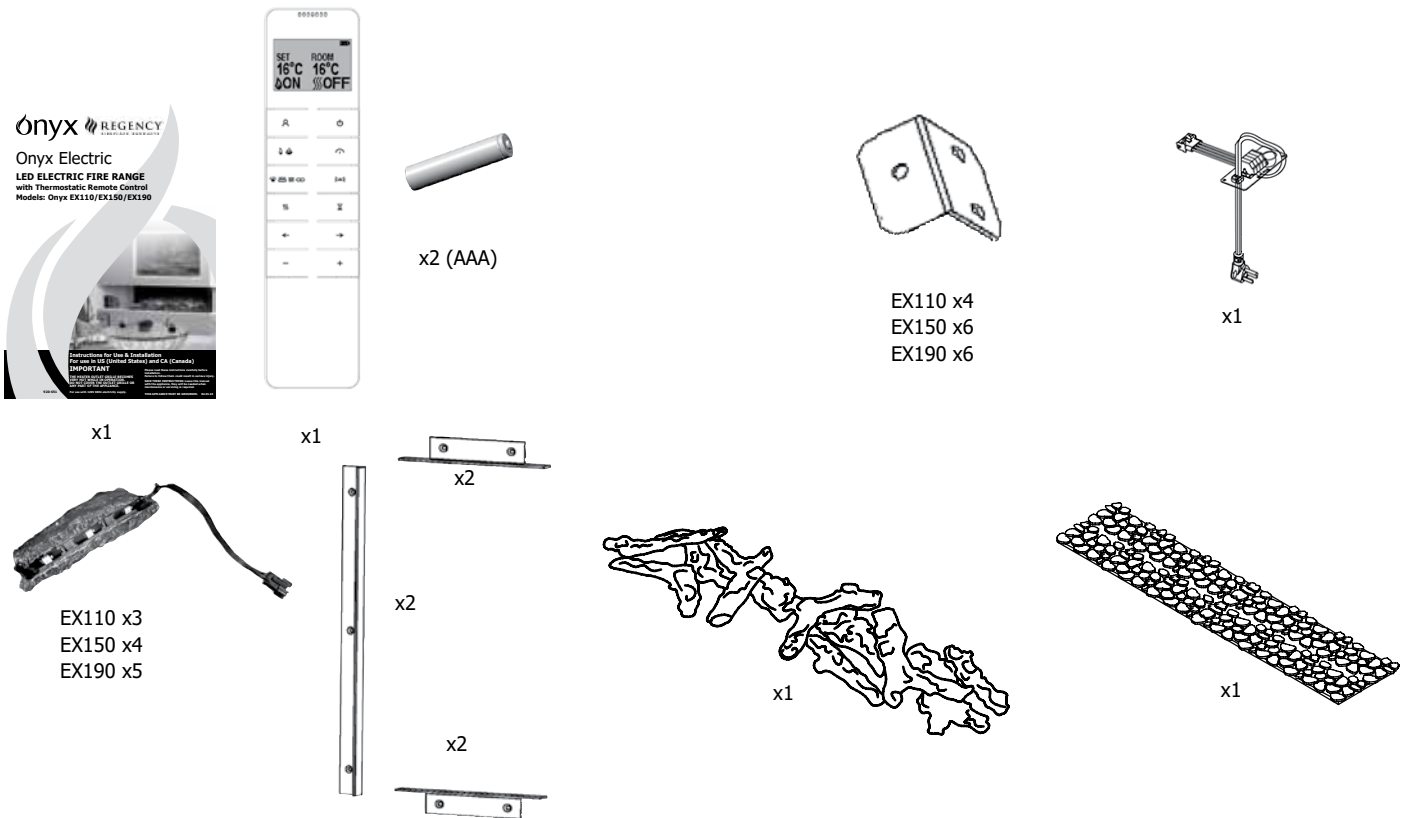
TECHNICAL SPECIFICATION

Onyx EX110	1500 Watts
Onyx EX150	1500 Watts
Onyx EX190	1500 Watts

Maximum power consumption: 120VAC 15 Amp 60Hz
 A 1.8 m (72") lead with plug is supplied.
 2 x Remove control handset battery (AAA).

IMPORTANT: A 15 amp, 60Hz 120 Volt circuit is required for installation of this Appliance. A dedicated circuit is not required, but is highly recommended to prevent circuit breaker from tripping or fuse failure. Failure to provide adequate power to this Appliance will void your warranty.
NOTE: If hard wiring to the Appliance, this must be completed by a qualified electrician. Failure to do so will void your warranty.
 The wiring from the appliance to the breaker must be supplied by a qualified electrician. This is not supplied with the appliance

PACKING LIST



Not shown and supplied are wall plugs, silver screw for wall plugs and black wood screw to secure nailing strips.

CONTROL SYSTEM TECHNICAL DATA

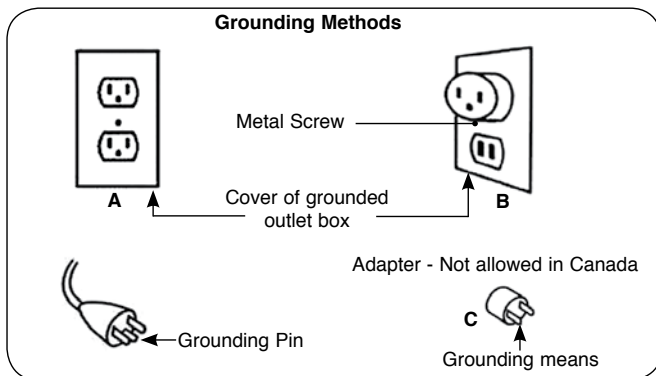
	Main Control Board	Remote Receiver Board	Remote Control
Hardware	RC01-059 A00 V0.	WBR3 V1.0	RF290H V1.1
Software	RC01-059 A02 V0	-	RCS19-V01.06
Frequency	FSK 433. 92MHz	2.4GHz	FSK 433. 92MHz
Maximum Transmit Power	10mW	100mW	10mW

WIRING KITS

The appliance is supplied with a 3 prong plug with a 72" lead which is included with the manual package, it will need to be modified for hard wiring.

Note: Must be plugged into a 3 prong receptacle which is exposed and accessible. Do not under any circumstances, cut the ground on the 3 prong plug.

This appliance is for use on 120 Volts only. The cord has a plug as shown in (A). An adapter as shown in (C) is available for connecting three-blade grounding type plugs to two slot receptacles. The green grounding lug extending from the adapter must be connected to a permanent ground such as a properly grounded outlet box. The adapter should not be used if a three-slot grounded receptacle is not available.



To disconnect the appliance, turn the controls to off, then remove plug from outlet.

This appliance must be connected and grounded in accordance with local codes, if hard wired. In the absence of local codes, the use the current CSA C22.1 CANADIAN ELECTRICAL CODE in Canada or the current ANSI/NFPA 70 NATIONAL ELECTRICAL CODE in the United States.

HARD WIRING

Note: The wiring from the appliance to the breaker & Strain relief must be supplied by a qualified electrician. This is not supplied with the appliance.

IMPORTANT: A 15 AMP, 60Hz circuit is required for 120 VAC installation. Additional appliances on the same circuit may exceed the current rating of that circuit. A dedicated circuit is not required but is preferred to prevent circuit breaker trips.

- 1 Locate the power supply which will be located on the right-hand side if facing the front of the appliance. The location will vary depending on model. It may be located at either the bottom or top as shown below.

Bottom Location

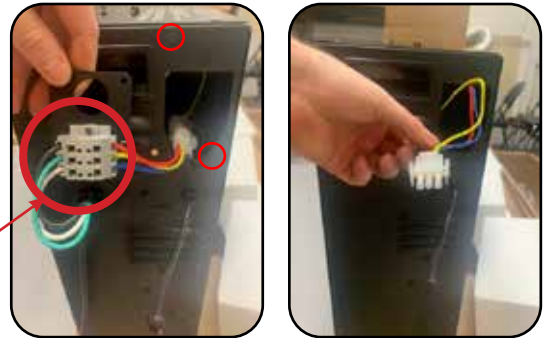


Top Location



- 2 Remove the wire harness & cover plate from the appliance by removing the two Philip head screws from the side of the appliance as shown below. Disconnect the Molex connector and remove the wire harness & cover plate.

Wire Harness & Cover Plate

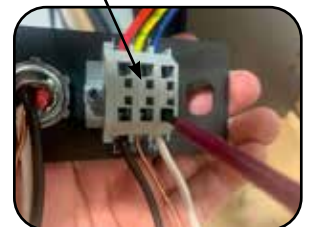


- 3 Using the same wire harness & cover plate removed in step 2, connect your BX Cable or similar (3 Wire) & metal strain relief (Both supplied by others) to the back of the wire harness & cover plate as shown below. When Connecting the BX Cable to the back of the hardwire cover plate you will need a small screwdriver (slot) to push down the back tabs this will open the slot the wire goes into. Remove the screwdriver to lock the wire in place.

The following instructions must be followed to install a 3 wire NM-B Romex cable to the terminal block.

- 1 Connect the ground wire (green/copper) to the ground terminal (yellow).
- 2 Connect the line input neutral wire (white) to the N terminal (blue).
- 3 Connect the line input voltage wire (black) to the L1 terminal (red).

Terminal Block



- 4 Once all three wires from the BX cable or similar have been connected to the hardwire & Cover plate, reconnect the molex connector removed in step 2. (blue to blue, yellow to yellow, red to red). Carefully push the wires back into the cavity that houses the wires and secure the wire harness & cover plate to the appliance with the Philip head screws (x2) removed in step 2.

- 5 Feed wire from appliance to breaker /power source.



POWER CORD CONVERSION

IMPORTANT: A 15 AMP, 60Hz circuit is required for 120 VAC installation. Additional appliances on the same circuit may exceed the current rating of that circuit. A dedicated circuit is not required but is preferred to prevent circuit breaker trips.

- 1 Locate the power supply which will be located on the right-hand side if facing the front of the appliance. The location will vary depending on model. It may be located at either the bottom or top as shown below.

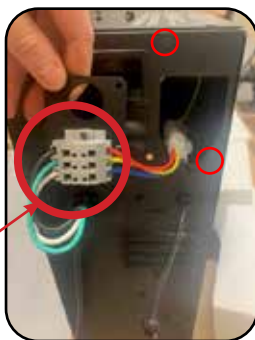
Bottom Location



Top Location



- 2 Remove the wire harness & cover plate from the appliance by removing the two Philip head screws from the side of the appliance as shown below. Disconnect the Molex connector and remove the wire harness & cover plate. Once removed recycle or keep the wire harness & cover plate for future use.



Wire Harness & Cover Plate



- 3 Locate the 120 VAC power cord which will be in the manual package that accompanied the appliance. Connect the 120 VAC power cord option to the Molex connector on the appliance (blue to blue, yellow to yellow, red to red).



- 4 Install the wire harness & cover plate and 120 VAC power cord to the appliance and secure with the 2 x Philip head screws removed in step 2.



Wire Harness & Cover Plate Reinstalled.

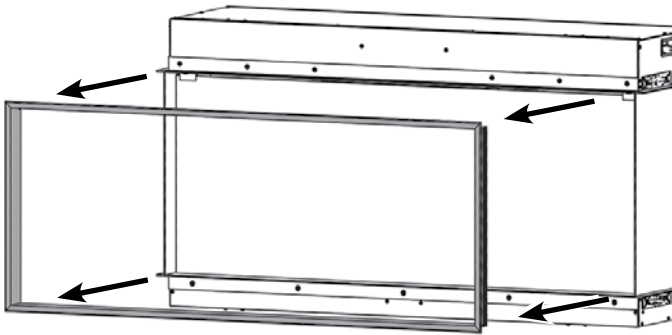
- 5 **Note:** The appliance must be plugged into a 3 prong receptacle which is exposed and accessible. Do not under any circumstances, cut the ground on the 3-prong plug.

PRE-INSTALLATION

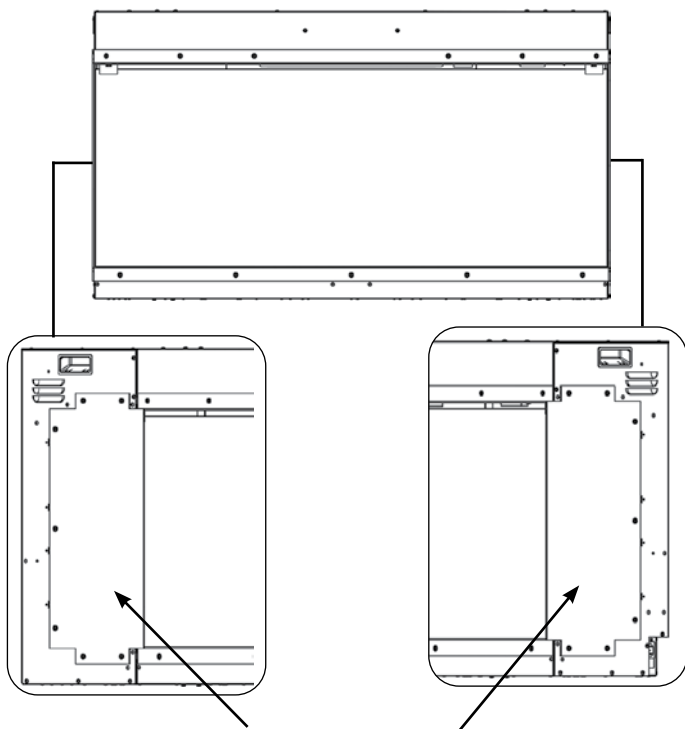
DECORATIVE FINISHING TRIM

The decorative finishing trim is only used when installing as single sided appliance.

If choosing to install as a 2 sided corner (left/right) or 3 sided bay, the decorative finishing trim is not used and is recycled.



FRONT VIEWING FACE (SINGLE SIDED)

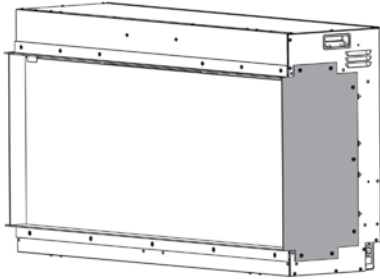


This appliance comes packaged as a single sided. The side covers remain on appliance and is ready to be installed.

PRE-INSTALLATION

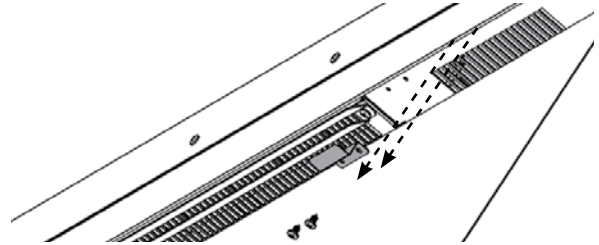
RIGHT VIEWING FACE (RIGHT CORNER CONVERSION)

①



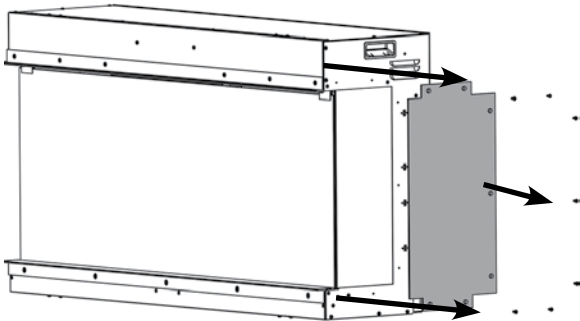
⑤

Remove the decorative trim support bracket and recycle (depending on model there may be 2 trim support brackets) Reinstall screws.



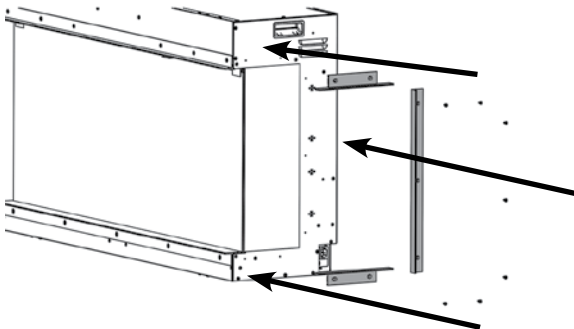
②

Remove 7 Phillips heads screws and recycle metal side cover. Do not discard screws.



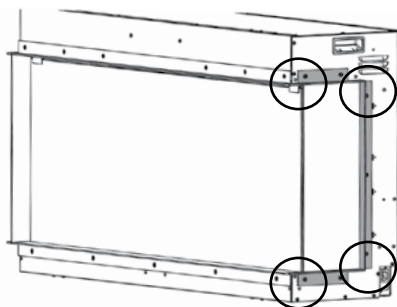
③

Secure the top/bottom trim using the same screws removed in step 2. Do not tighten. Secure back trim using same screws removed in step 2.



④

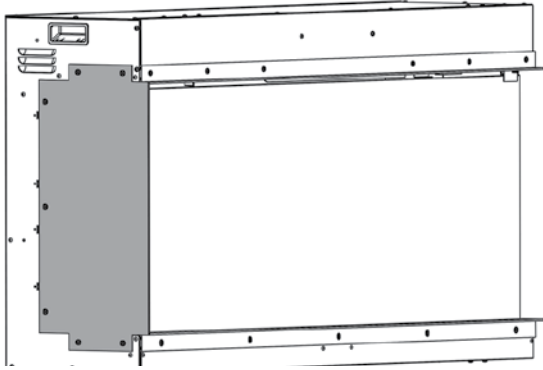
Ensure that the trims are all flush to each other prior to tightening all 7 screws.



PRE-INSTALLATION

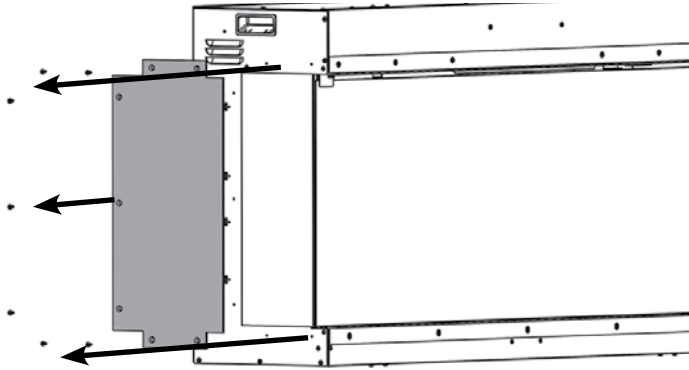
LEFT VIEWING FACE (LEFT CORNER CONVERSION)

①



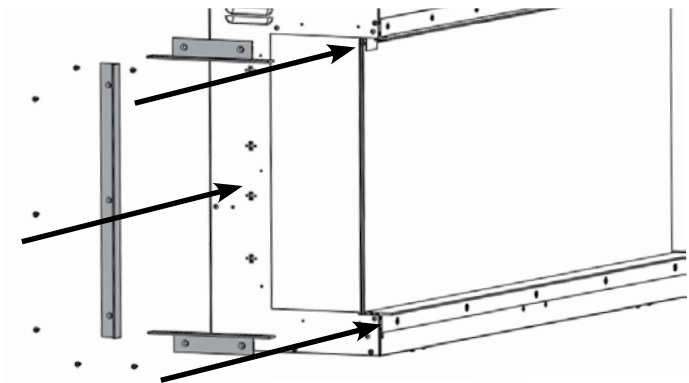
②

Remove 7 Phillips heads screws and recycle metal side cover. Do not discard screws.



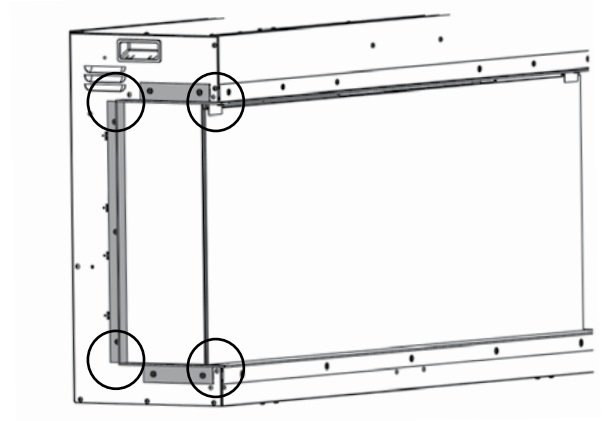
③

Secure the top/bottom trim using the same screws removed in step 2. Do not tighten. Secure back trim using same screws removed in step 2.



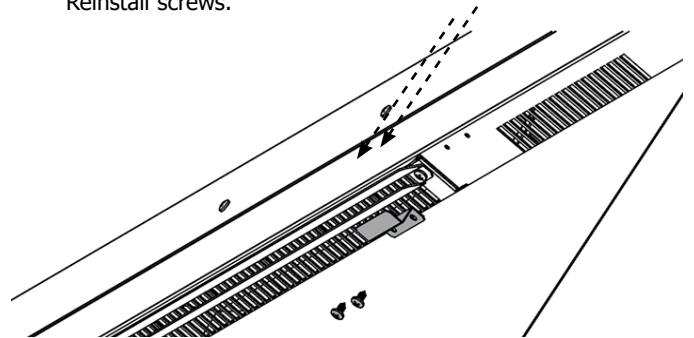
④

Ensure that the trims are all flush to each other at all 4 corners prior to tightening all 7 screws.



⑤

Remove the decorative trim support bracket and recycle (depending on model there may be 2 trim support brackets). Reinstall screws.



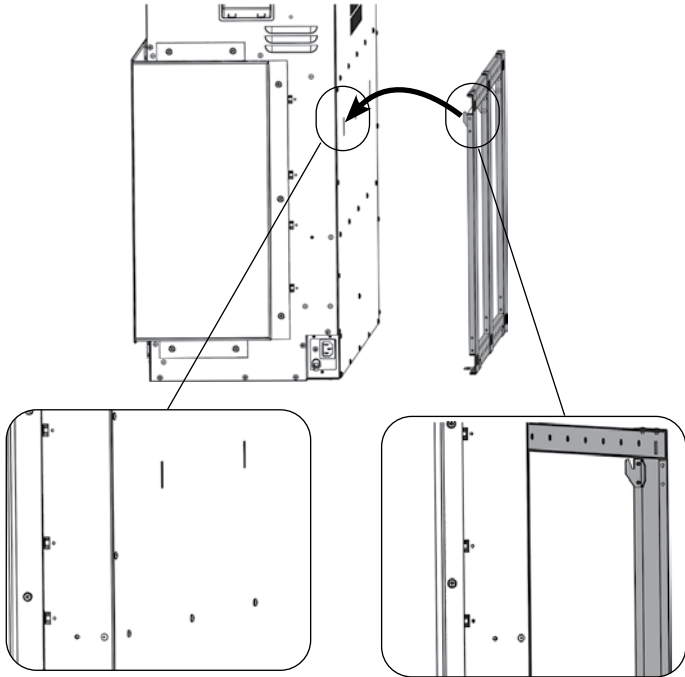
3-SIDED VIEWING FACE

To create a 3 side, follow steps for both right corner/left corner. Trim will be attached to both right/left of appliance. Remove the decorative trim support bracket (see step 5) and recycle (depending on model there may be 2 trim support brackets). Reinstall screws.

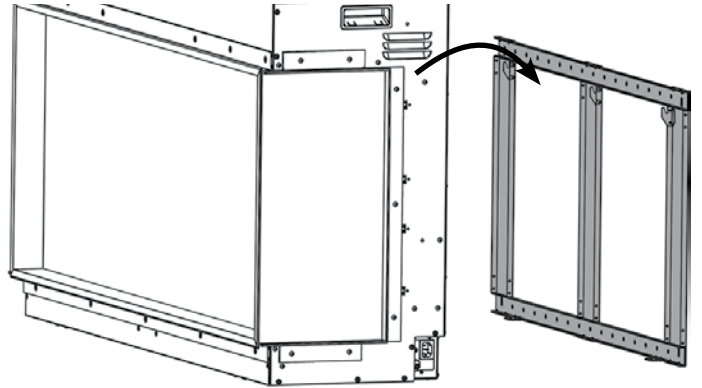
PRE-INSTALLATION

WALL MOUNTING BRACKET (OPTIONAL)

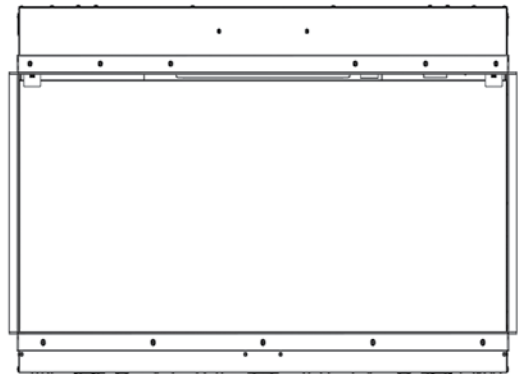
- ① The wall mounting bracket will be located at the rear of the appliance and is held in place by 2 brackets at base of appliance. Tilt appliance forward to gain access to the 2 brackets. Remove 2 screws at base of appliance securing the bracket and discard brackets. Reinstall screws. Lift up and out to remove wall mounting bracket from rear of appliance.



- ② Hook appliance onto the wall mounting bracket as shown above.

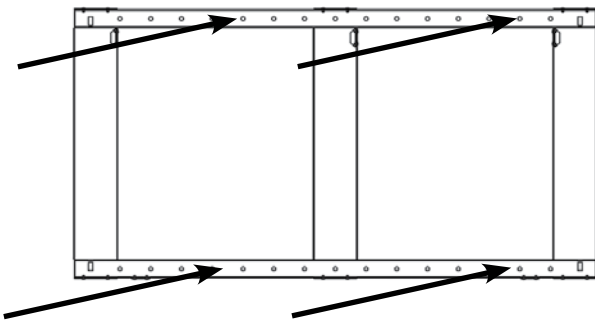


- ③ Appliance attached to wall.



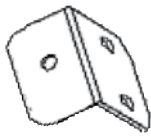
INSTALLATION

- ① Mark the wall to the desired height using the wall mounting bracket as a guide. Ensure that at least 2-3 studs are found to support the wall mounting bracket as the weights of these units will vary. Also ensure wall mounting bracket is level. Note: There is also wall plugs/screws supplied if required.



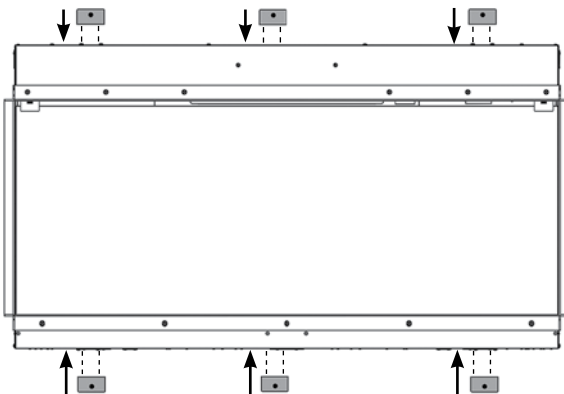
INSTALLATION

NAILING FLANGES

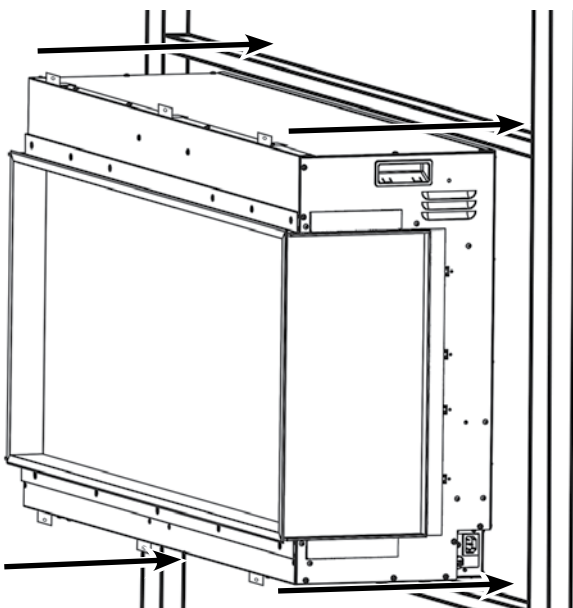


EX110 x4
EX150 x6
EX190 x6

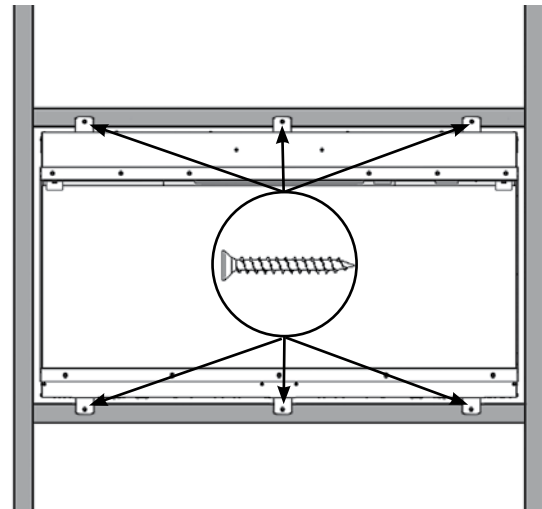
- ① Install nailing flanges as per diagram below. Phillips head screws are provided to attach the nailing flange to appliance.



- ② Slide unit into position.



- ③ Secure appliance to framing as shown below with supplied black wood screws.

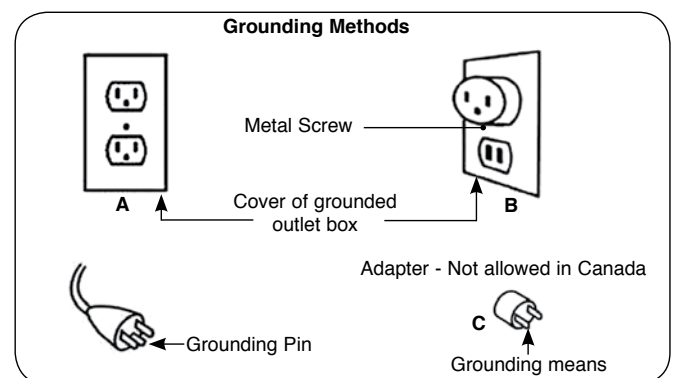


PLUGGING POWER CORD TO APPLIANCE

The appliance is supplied with a 3 prong plug with a 72" lead which is included with the manual package, it will need to be modified for hard wiring.

Note: Must be plugged into a 3 prong receptacle which is exposed and accessible. Do not under any circumstances, cut the ground on the 3 prong plug.

This appliance is for use on 120 Volts only. The cord has a plug as show in (A). An adapter as shown in (C) is available for connecting three-blade grounding type plugs to two slot receptacles. The green grounding lug extending from the adapter must be connected to a permanent ground such as a properly grounded outlet box. The adapter should not be used if a three-slot grounded receptacle is not available.



To disconnect the appliance, turn the controls to off, then remove plug from outlet.

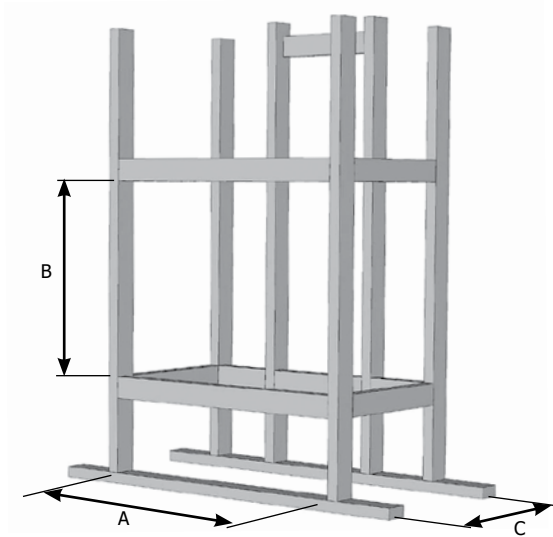
This appliance must be connected and grounded in accordance with local codes, if hard wired. In the absence of local codes, use the current CSA C22.1 CANADIAN ELECTRICAL CODE in Canada or the current ANSI/NFPA 70 NATIONAL ELECTRICAL CODE in the United State.

If appliance is to be hardwired, see this manual for details.

IMPORTANT: A 15 amp, 60Hz 120 Volt circuit is required for installation of this Appliance. A dedicated circuit is not required, but is highly recommended to prevent circuit breaker from tripping or fuse failure. Failure to provide adequate power to this Appliance will void your warranty.

FRAMING INSTALLATION (SINGLE SIDED)

NOTE: Framing may be constructed of combustible material (I.e. 2 x 4/2 x 6) and does not require steel studs.



NOTE: The appliance must be installed on a flat, solid, continuous surface (e.g. wood, metal, concrete).which must be the full width and depth of appliance.

This may be the floor, or raised up on a platform to enhance its visual impact.

Note: Measurement (B) does not include height of platform base if raised off the ground.
 Example 1/2"(13 mm) thick platform base = 25-3/4" (654 mm) framing height.

ONYX	A	B	C
EX110	44-13/16" (1138 mm)	25-1/4" (641 mm)	12-7/16" (316 mm)
EX150	60-9/16" (1538 mm)	25-1/4" (641 mm)	12-7/16" (316 mm)
EX190	78-1/4" (1988 mm)	25-1/4" (641 mm)	12-7/16" (316 mm)

FRAMING

COMPLETING THE INSTALLATION (SINGLE SIDED)

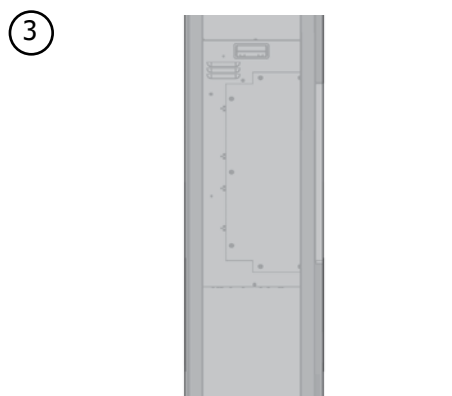
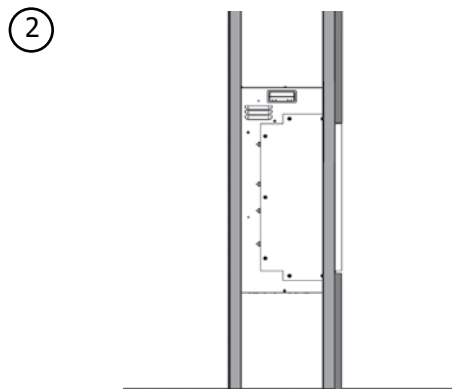
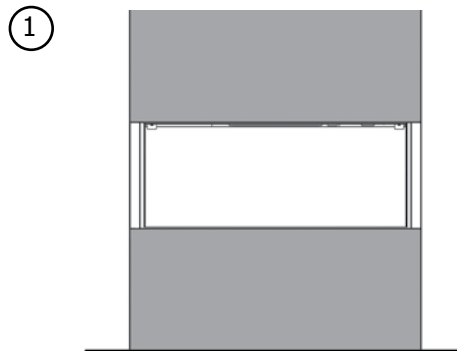
The appliance is designed to be used with 1/2 in. (13 mm) wall sheathing materials such as drywall, plywood, wood composites, or non-combustible materials with the supplied decorative trim. Thicker materials may also be used.

Thicker finishing materials would need to go around the perimeter of the decorative finishing trim. Ensure there is a minimum of 1/16" (3 mm) gap around the perimeter of the decorative trim to ensure safe removal to clean glass or for servicing appliance. See technical specifications in this manual for overall sizes of decorative trim.

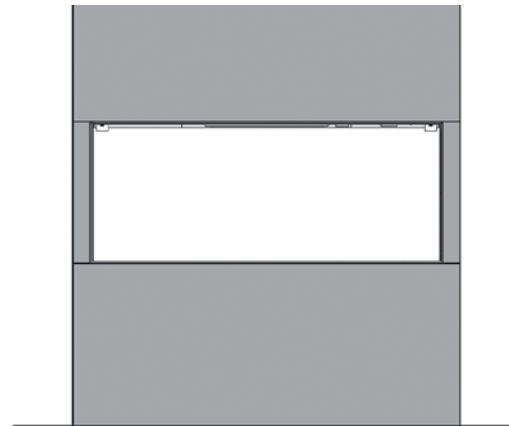
Facing and/or finishing materials must never overhang into the glass opening.

Facing materials may be combustible or non-combustible. To cover cut/ exposed edges of the combustible facing material or any other finishing materials being used we suggest using J Style Trim or Metal Corner Bead purchased at your local hardware store.

Do not penetrate any screws into the body face.



④ Completed Install.



PAINTING

If desired finishing includes a painted wall, 100% acrylic latex, oil-based, or standard acrylic paints may be used. Follow paint manufacturer's instructions for paint and primer application.

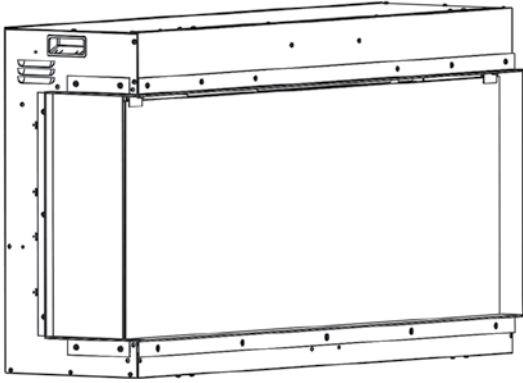
FRAMING

TWO SIDED VIEW INSTALLATION (LEFT/RIGHT SIDED)

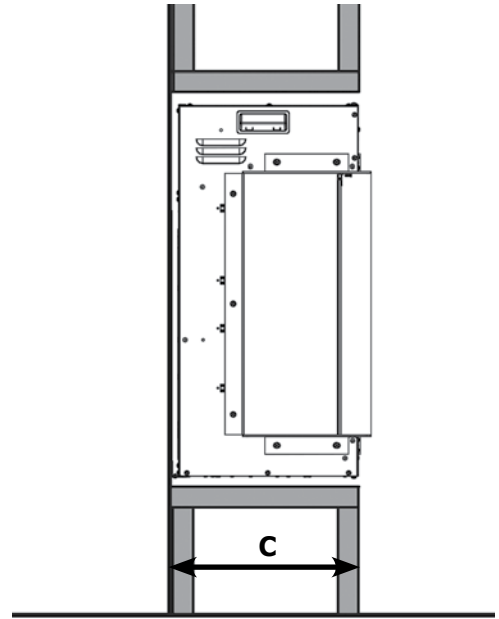
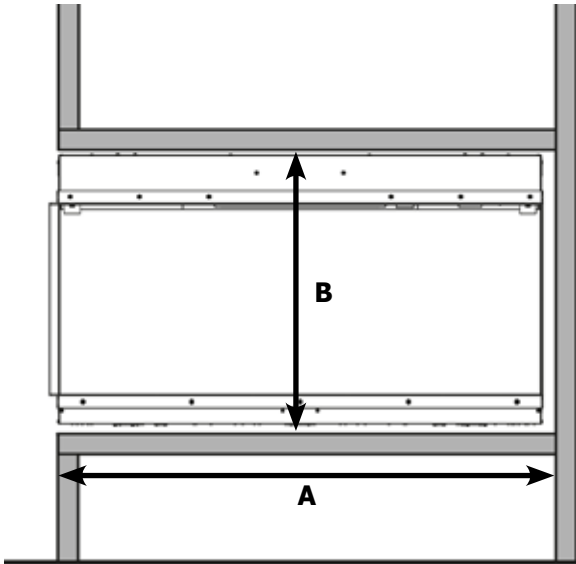
Note: If glass is going to be on other side, simply reverse framing methods. Framing shown with small glass on left hand side.

3

1



2



NOTE: The appliance must be installed on a flat, solid, continuous surface (e.g. wood, metal, concrete) which must be the full width and depth of appliance.

This may be the floor, or raised up on a platform to enhance its visual impact.

Note: Measurement (B) does not include height of platform base if raised off the ground.

Example 1/2"(13 mm) thick platform base = 25-3/4" (654 mm) framing height.

ONYX	A	B	C
EX110	44-7/16" (1128 mm)	25-1/4" (641 mm)	12-7/16" (316 mm)
EX150	60-3/16" (1528 mm)	25-1/4" (641 mm)	12-7/16" (316 mm)
EX190	77-7/8" (1978 mm)	25-1/4" (641 mm)	12-7/16" (316 mm)

FRAMING

COMPLETING THE INSTALLATION

TWO SIDED VIEW INSTALLATION (LEFT/RIGHT CORNER)

The appliance is designed to be used with 1/2 in. (13 mm) wall sheathing materials such as drywall, plywood, wood composites, or non-combustible materials.

Thicker materials may also be used.

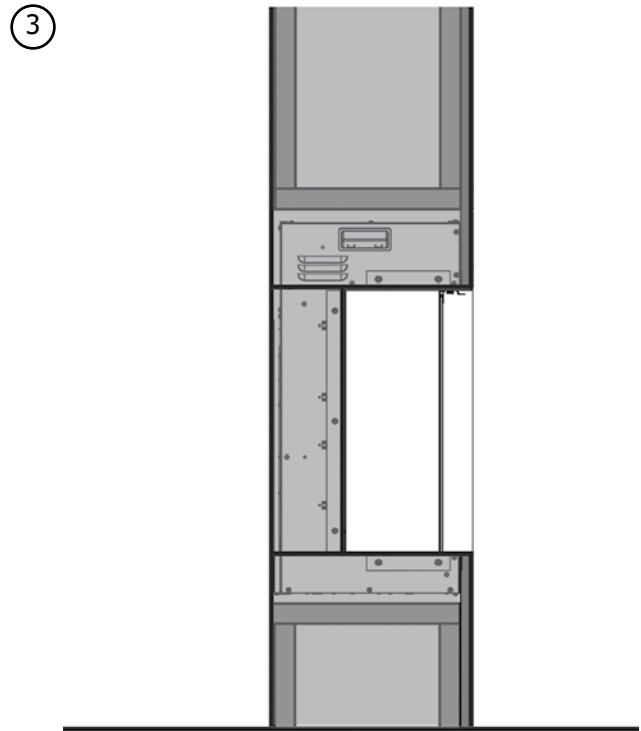
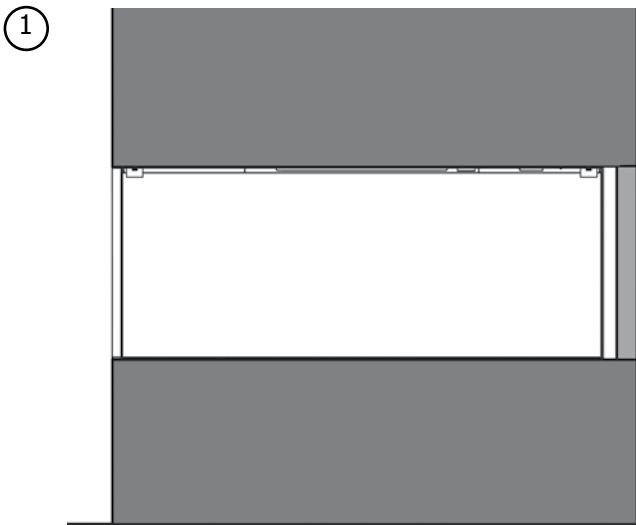
Note: The decorative finishing trim is not used when installed as a two sided view and will need to be recycled.

Facing and/or finishing materials must never overhang into the glass opening.

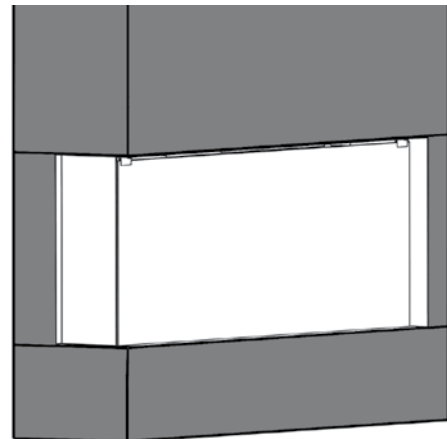
Facing materials may be combustible or non-combustible.

To cover cut/ exposed edges of the combustible facing material or any other finishing materials being used we suggest using J Style Trim or Metal Corner Bead purchased at your local hardware store.

Do not penetrate any screws into the body face.



④ Completed Install.



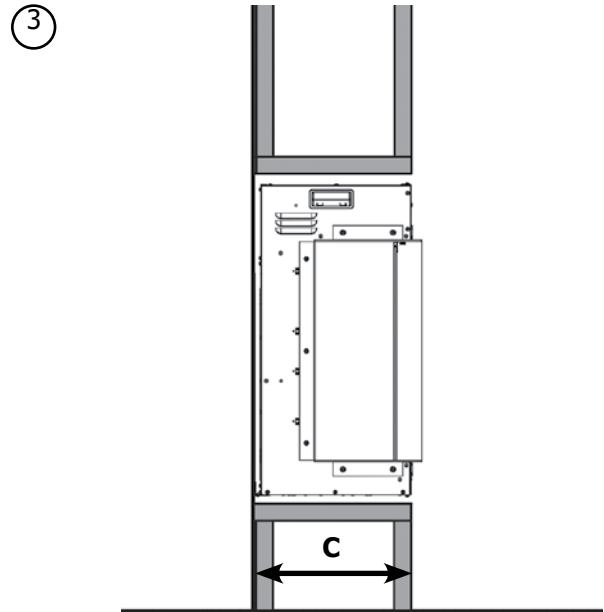
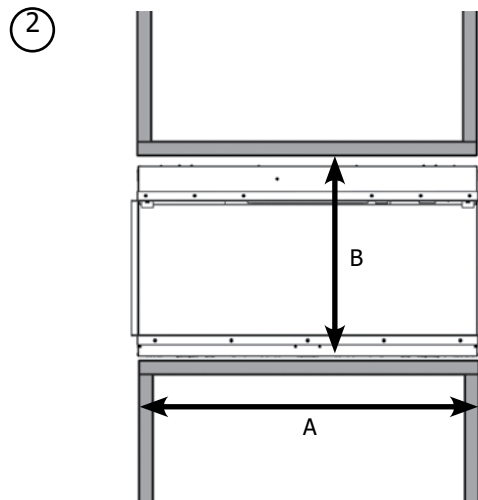
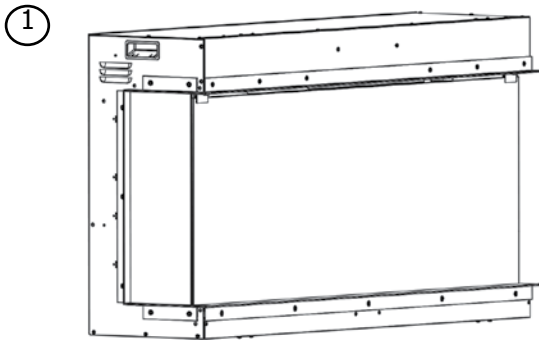
PAINTING

If desired finishing includes a painted wall, 100% acrylic latex, oilbased, or standard acrylic paints may be used.

Follow paint manufacturer's instructions for paint and primer application.

FRAMING

THREE SIDED VIEW INSTALLATION



NOTE: The appliance must be installed on a flat, solid, continuous surface (e.g. wood, metal, concrete) which must be the full width and depth of appliance. This may be the floor, or raised up on a platform to enhance its visual impact.

Note: Measurement (B) does not include height of platform base if raised off the ground. Example 1/2" (13 mm) thick platform base = 25 3/4" (654 mm) framing height.

ONYX	A	B	C
EX110	44-1/2" (1130 mm)	25-1/4" (641 mm)	12-7/16" (316 mm)
EX150	60-1/4" (1530 mm)	25-1/4" (641 mm)	12-7/16" (316 mm)
EX190	77-15/16" (1980 mm)	25-1/4" (641 mm)	12-7/16" (316 mm)

FRAMING

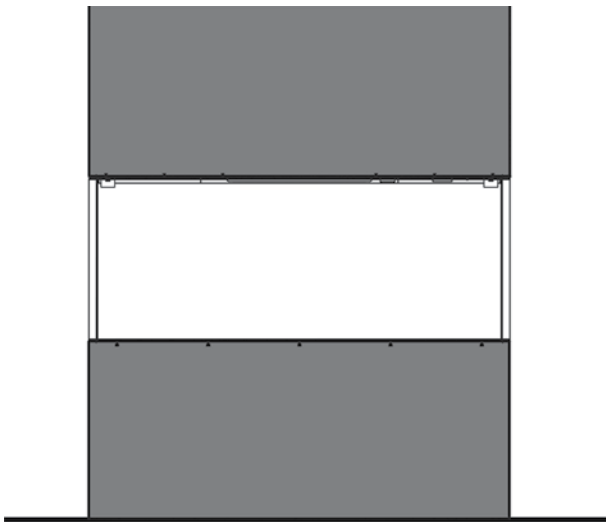
COMPLETING THE INSTALLATION THREE SIDED VIEW INSTALLATION

The appliance is designed to be used with 1/2 in. (13 mm) wall sheathing materials such as drywall, plywood, wood composites, or non-combustible materials. Thicker materials may also be used. Note: The decorative finishing trim is not used when installed as a three sided view and will need to be recycled. Facing and/or finishing materials must never overhang into the glass opening.

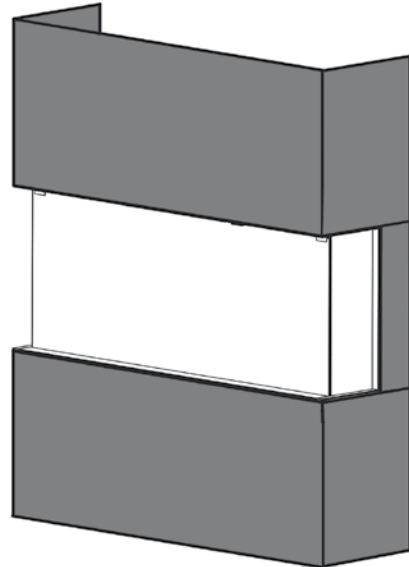
Facing materials may be combustible or non-combustible.

To cover cut/ exposed edges of the combustible facing material or any other finishing materials being used we suggest using J Style Trim or Metal Corner Bead purchased at your local hardware store. Do not penetrate any screws into the body face.

①



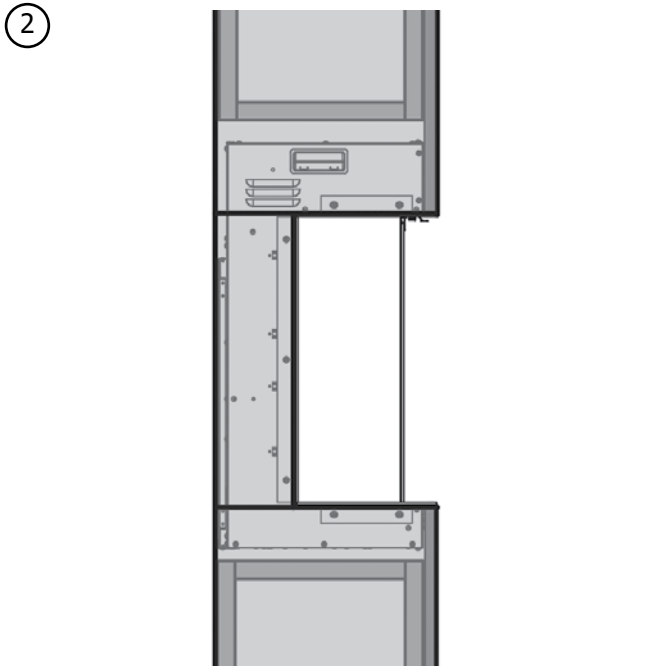
③ Completed Install.



PAINTING

If desired finishing includes a painted wall, 100% acrylic latex, oilbased, or standard acrylic paints may be used. Follow paint manufacturer's instructions for paint and primer application.

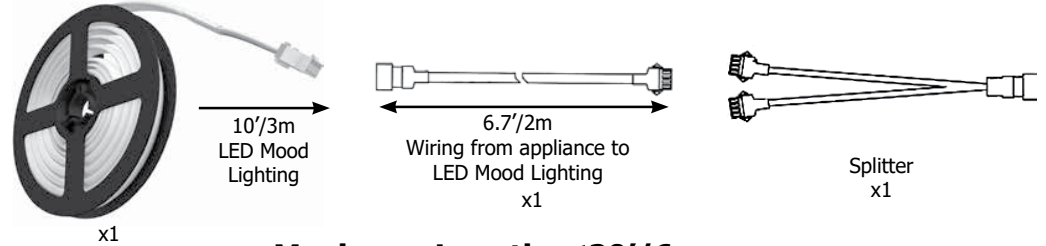
②



OPTIONAL LED MOOD LIGHTING (PART CODE 923-385)

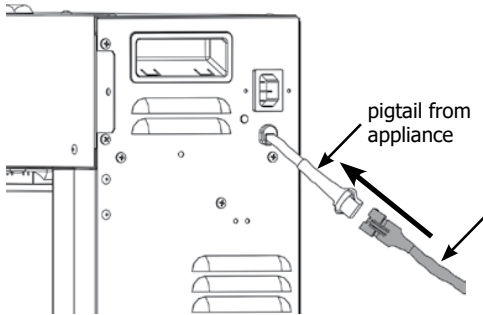
The appliance can be enhanced by an optional LED Mood Lighting Strip. This comes with 10' (3 m) of LED mood lighting and can be operated using the remote control provided with this appliance. A second LED mood kit strip may be obtained if more than 10' (3m) is required. This can be connected to the end of the first LED lighting strip or by using the splitter that is provided with the kit. A maximum of 3 kits is permitted.

Contents



Installation

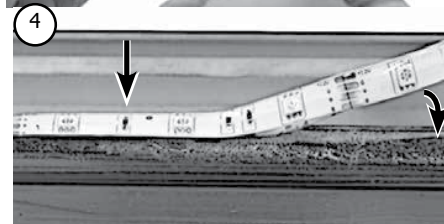
- 1 Locate pigtail on right hand side of appliance. Connect other end of LED mood lighting kit to the pigtail as shown below.



- 2 Cut LED strip to desired length. Ensure cut line is as per below.



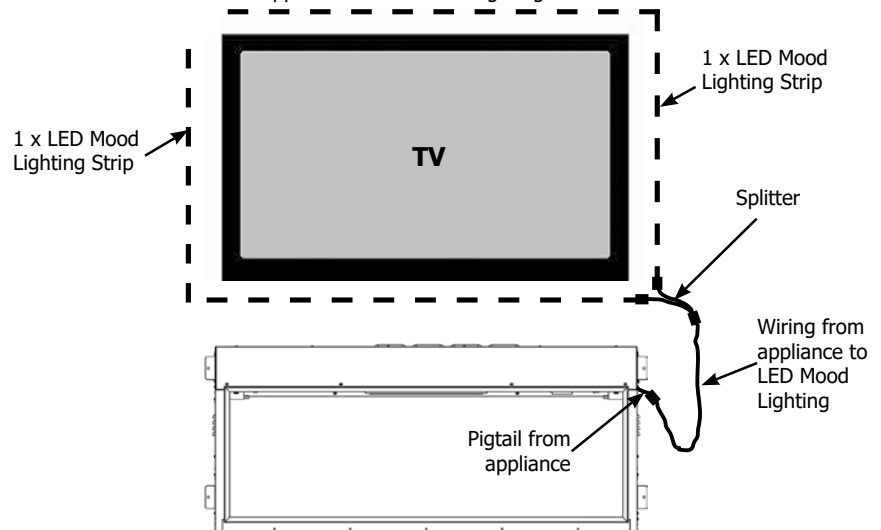
- 3 Peel adhesive from back side of LED strip.



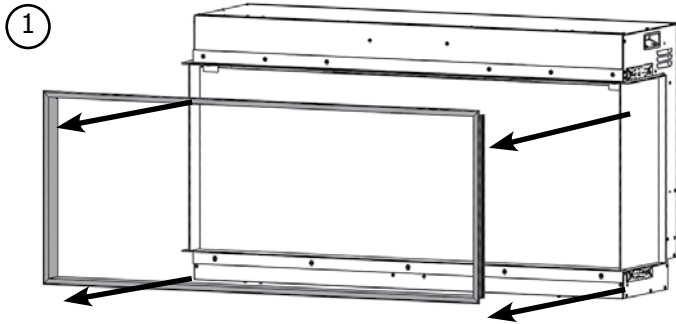
Maximum Length: ≤20' / 6m

- Option 1 Maximum 20' (6m) with no splitter required. If more than 10' (3m) is required a second 923-835 LED Mood Lighting Strips would need to be purchased.
 - 10' / 3m
 - = 10' / 3m (<20' / 6m)
- Option 2 Maximum 20' (6m) using supplied splitter. 2 x 923-835 LED Mood Lighting Strips required.
 - 10' / 3m
 - 10' / 3m
 - = 20' / 6m
- Option 3 Maximum 20' (6m) with splitter from the original kit & additional splitter from second LED mood lighting strip kit purchased. 3 x 923-835 LED Mood Lighting Strips required.
 - 10' / 3m
 - 3.3' / 1m
 - 6.7' / 2m
 - = 20' / 6m
- Option 4 Not permitted.
 - 10' / 3m
 - 10' / 3m
 - 10' / 3m
 - > 20' / 6m

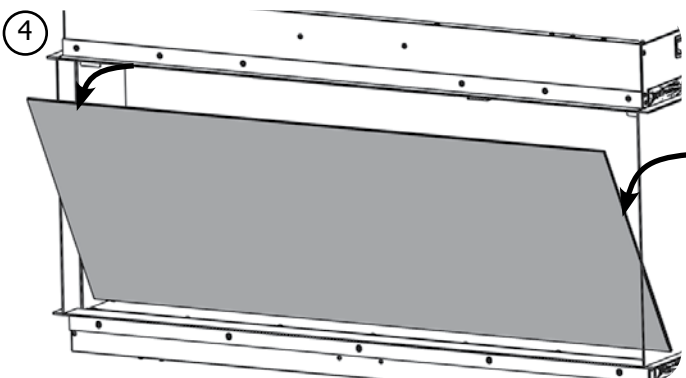
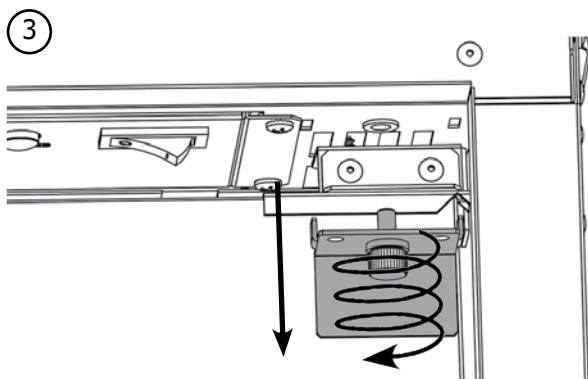
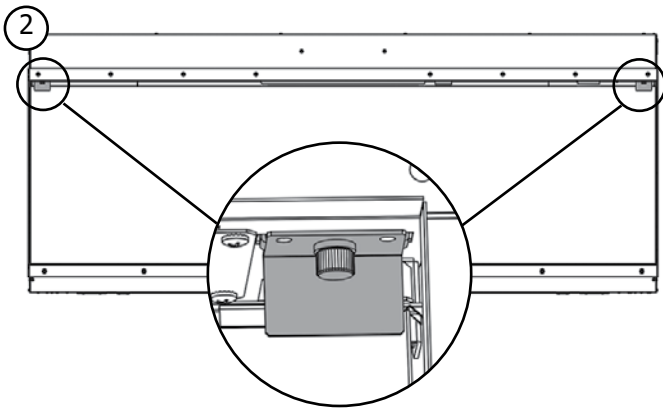
Example 2 x 923-835 Mood Lighting strip kit & 1 x splitter and 1 x wiring from appliance to LED mood lighting used. See below.



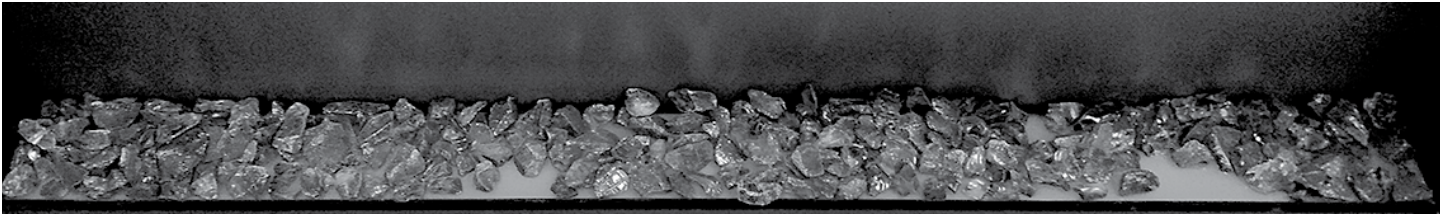
ACCESSING THE FUEL BED



The decorative finishing trim (shown above) would only be installed if this was installed as a single sided. If installed as a two sided/ three side the decorative finishing trim will need to be recycled as it cannot be used.



GLASS EMBERS

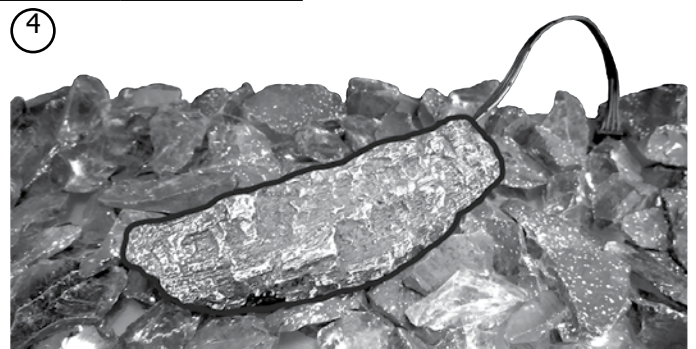
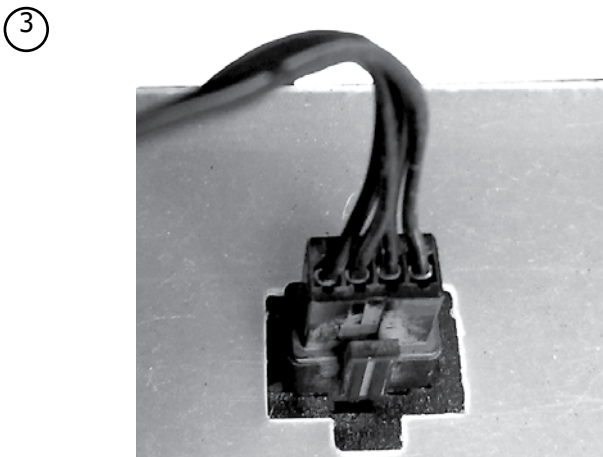
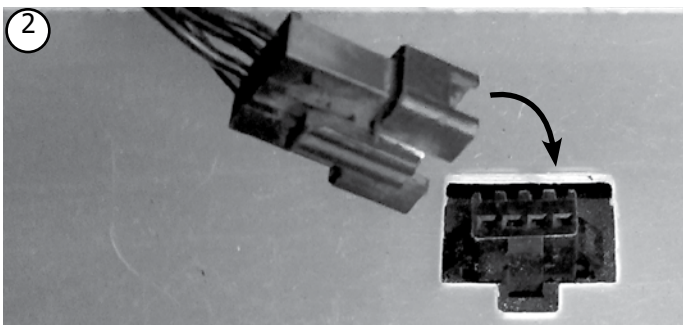
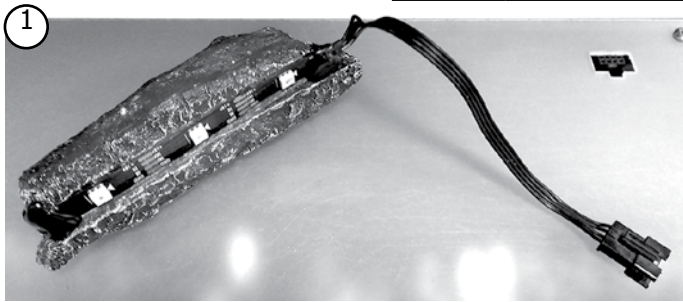


Spread the Glass Embers evenly over the fuel bed.
Note: The Ember Logs (See Log Layout) will rest directly on the fuel bed).

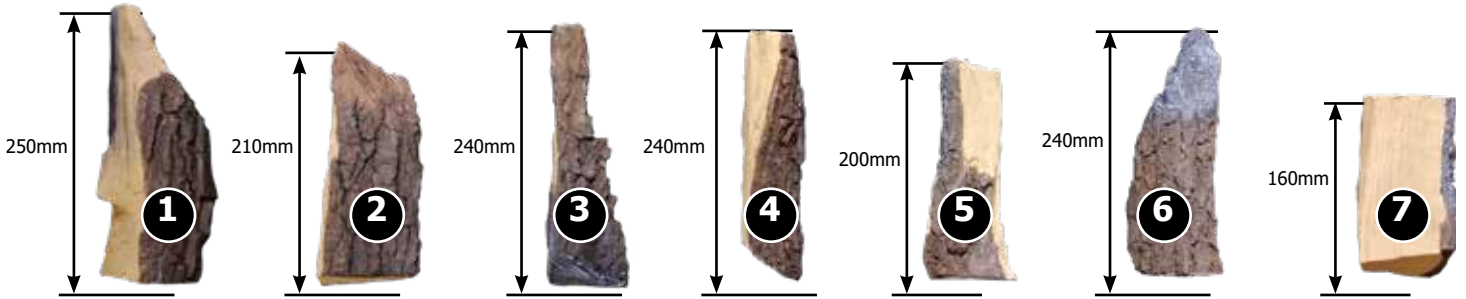


GLOWING EMBER LOGS

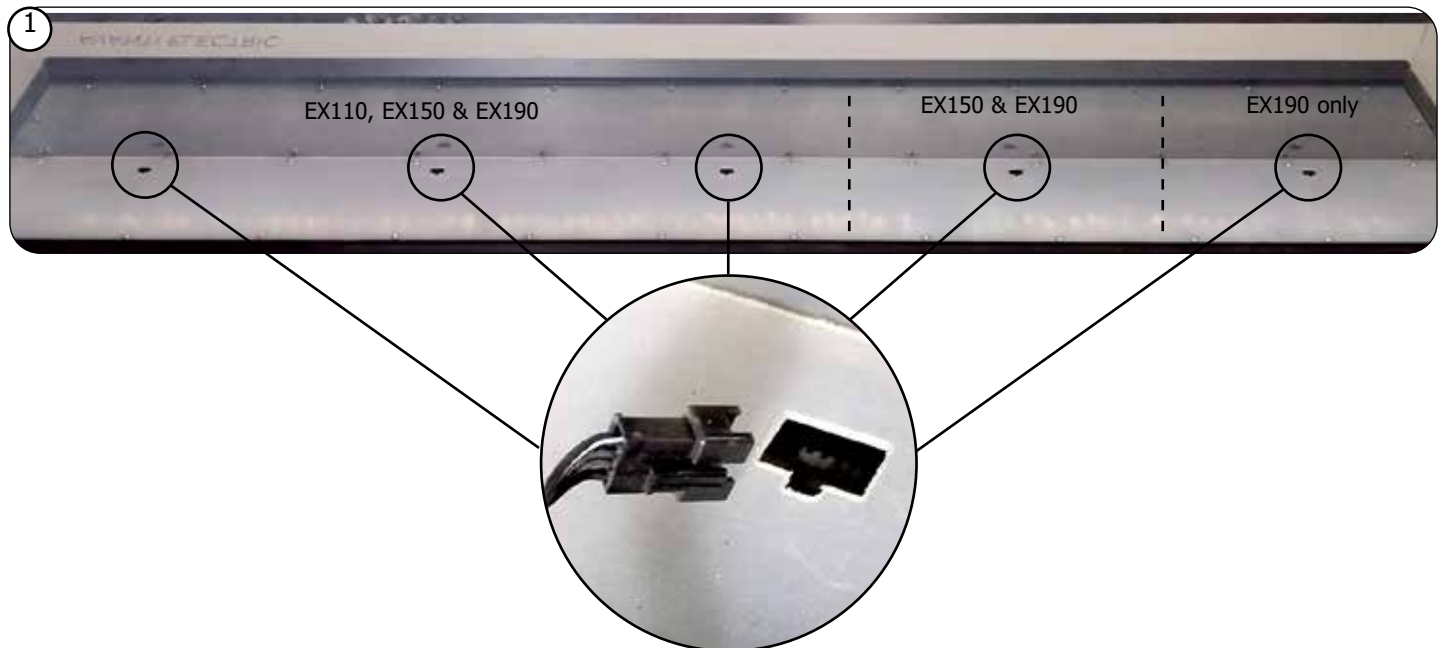
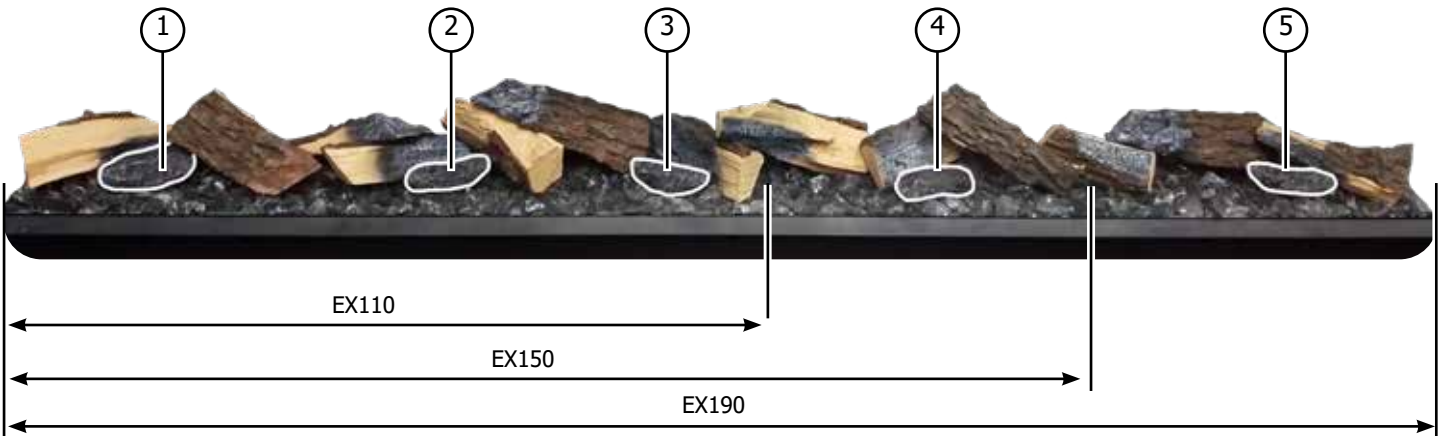
	EX110	EX150	EX190
No.	3	4	5



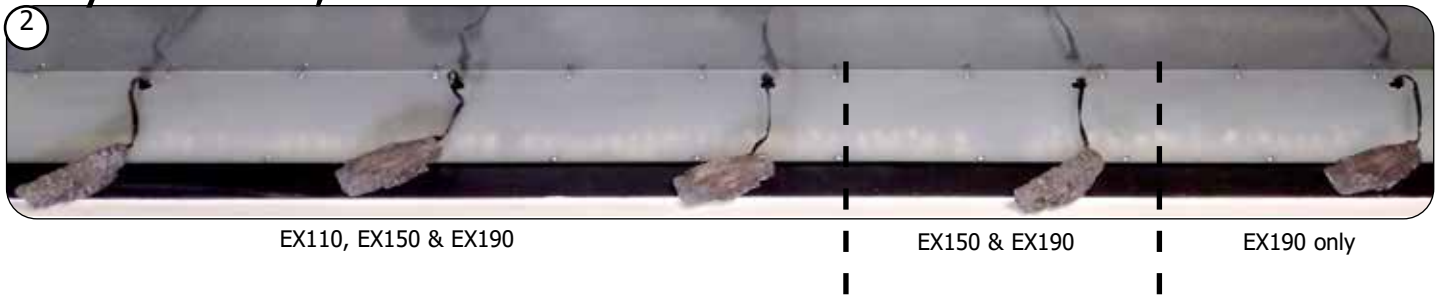
OAK LOG SET - LOG LAYOUT



	1	2	3	4	5	6	7
Onyx EX110	x1	x1	x1	x1	x1	x1	x1
Onyx EX150	x2	x1	x1	x2	x1	x1	x2
Onyx EX190	x2	x1	x1	x2	x2	x2	x3



Onyx EX110, EX150 & EX190

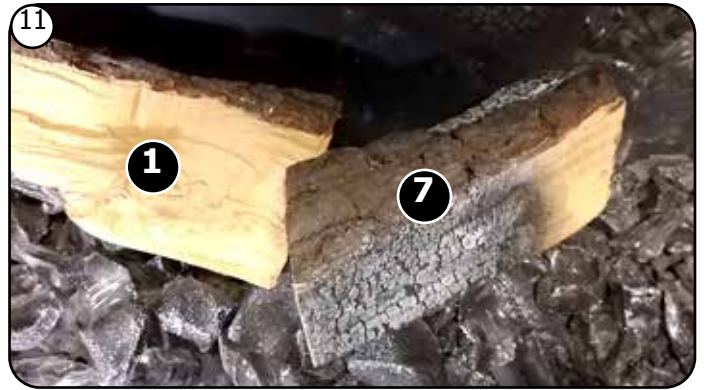




Onyx EX110

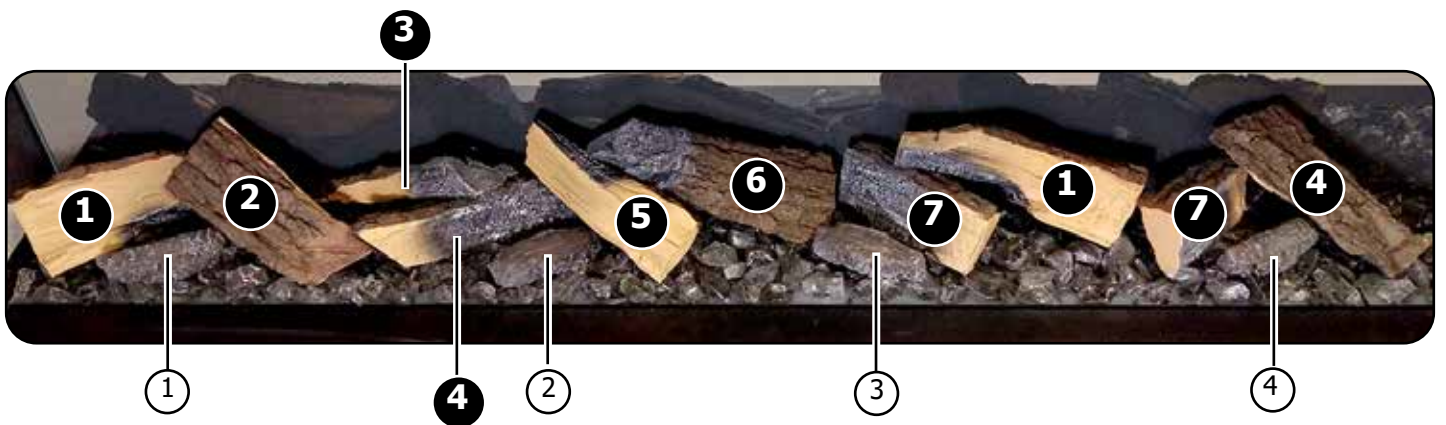


Onyx EX150 & EX190



Onyx EX150

Note: Box B will have an additional #1, 4, 7 log.

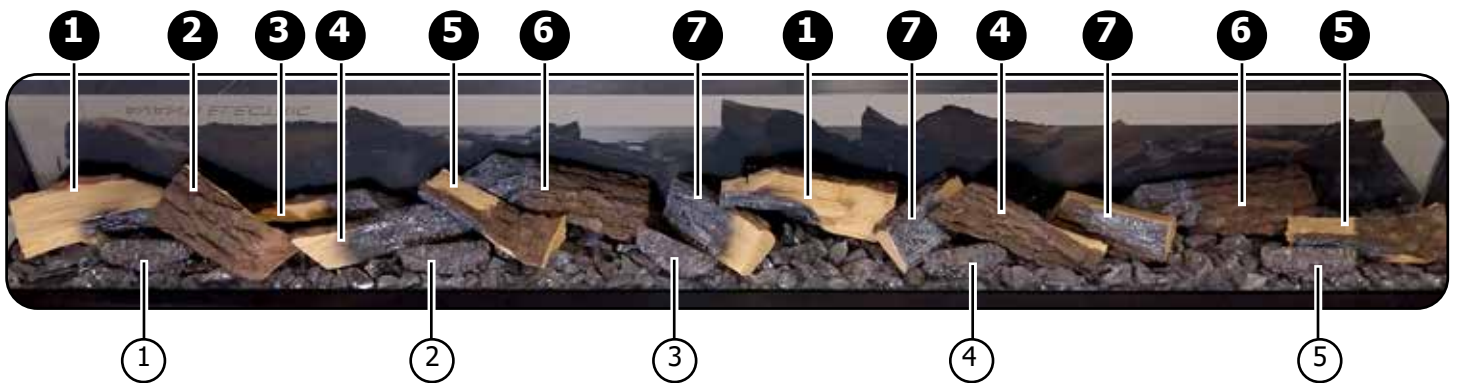


Onyx EX190



Onyx EX190

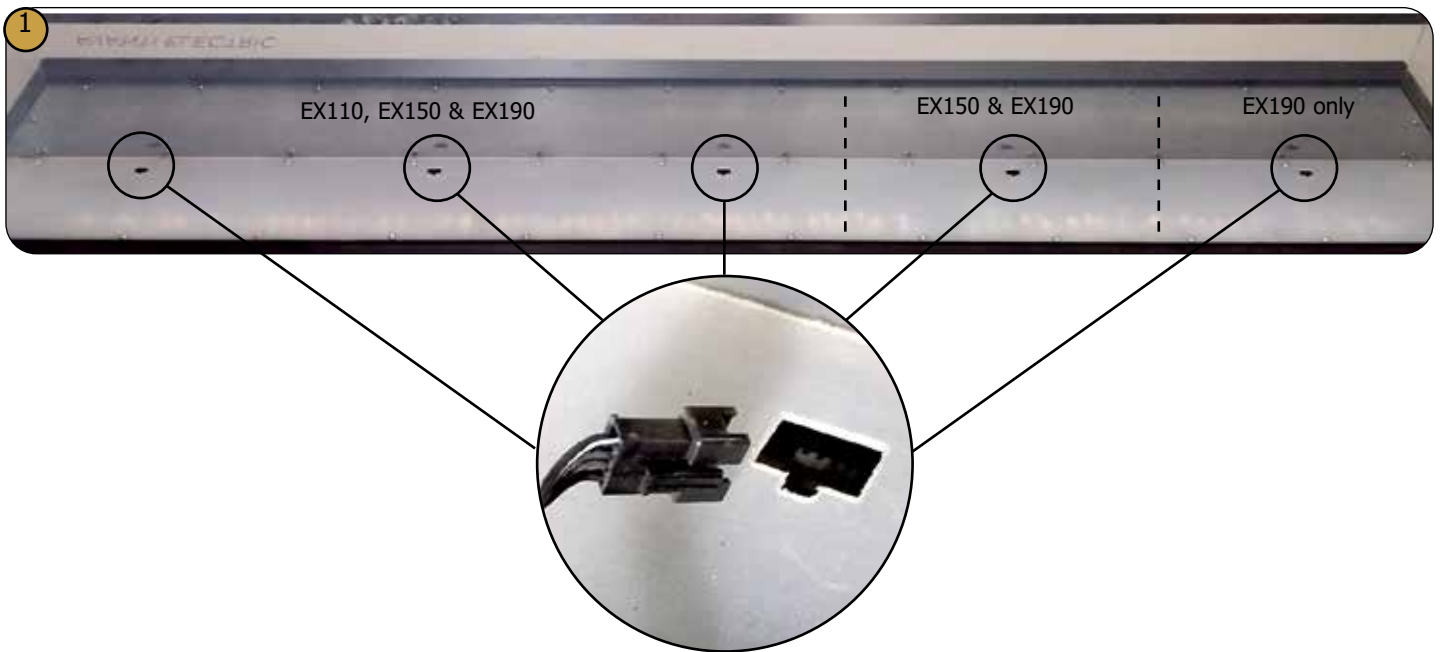
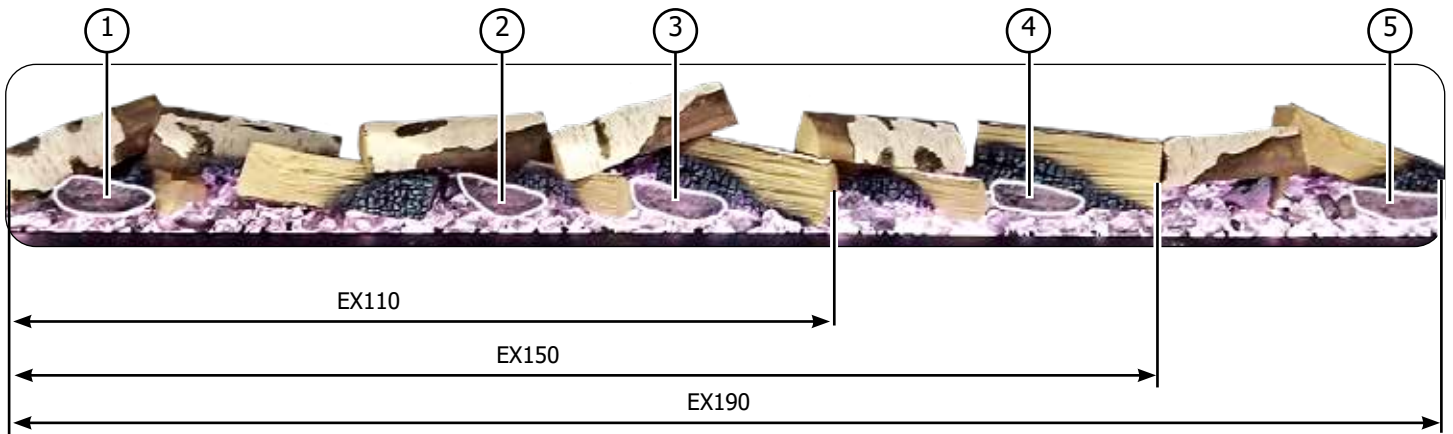
Note: Box C will have an additional #1, 4, 5, 6, 7 x 2 logs.



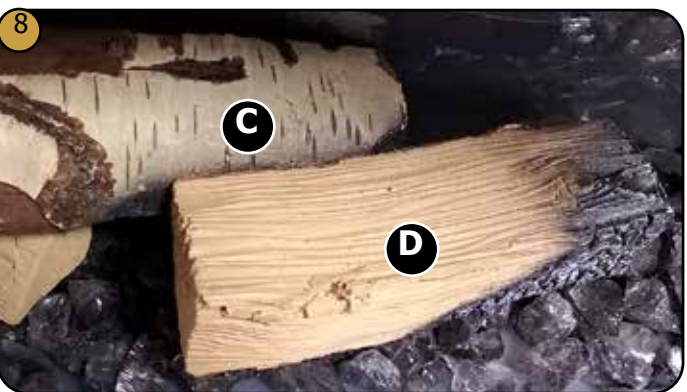
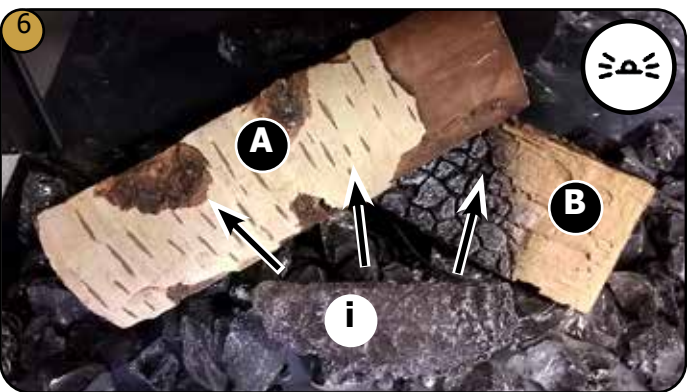
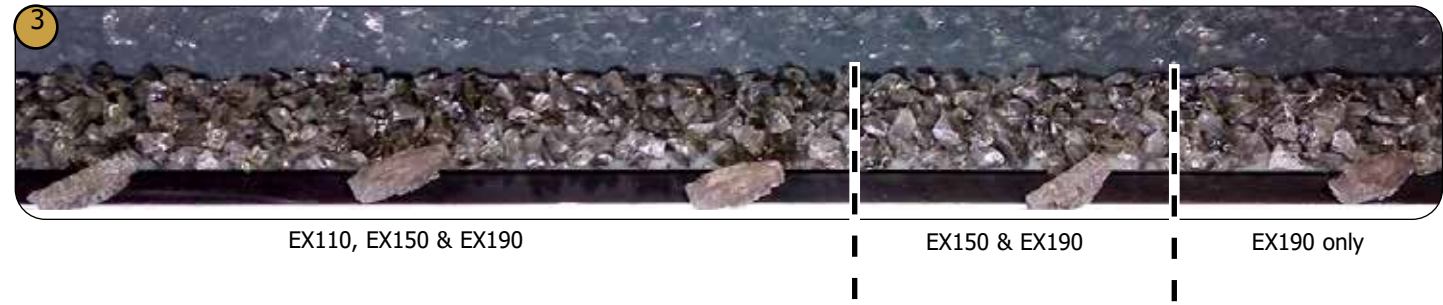
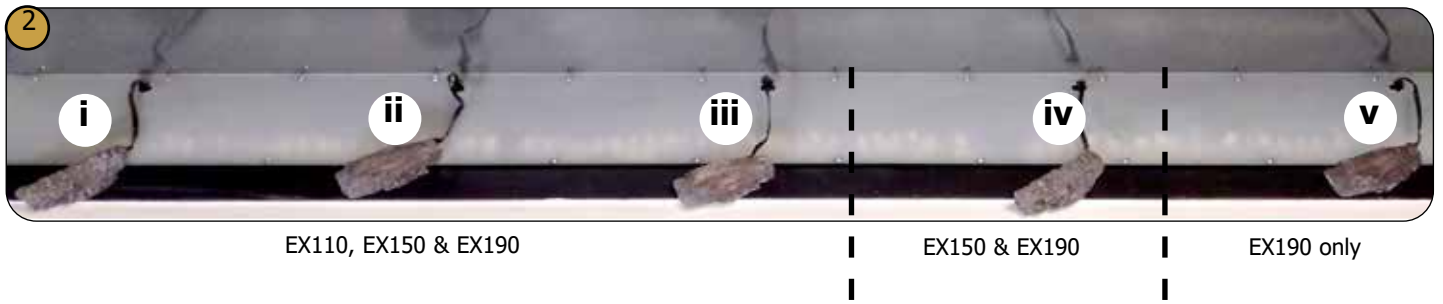
OPTIONAL SILVER BIRCH SET - LOG LAYOUT

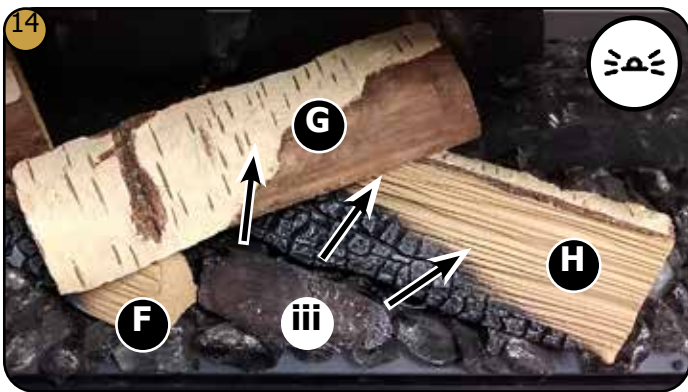
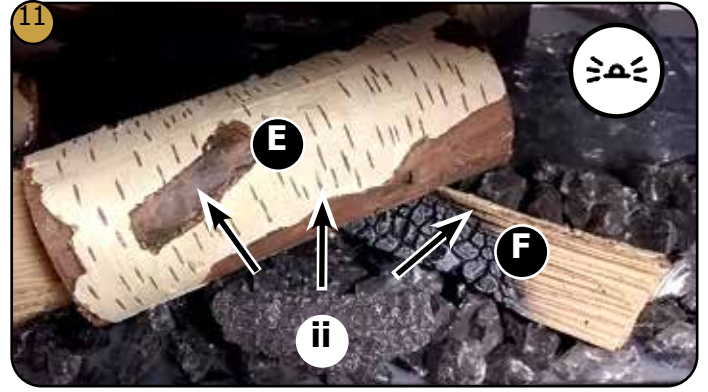


Onyx EX110	x1	x1	x1	x1	x1	x1	x1	x1
Onyx EX150	x2	x1	x1	x1	x1	x2	x1	x2
Onyx EX190	x2	x2	x1	x2	x1	x2	x2	x2

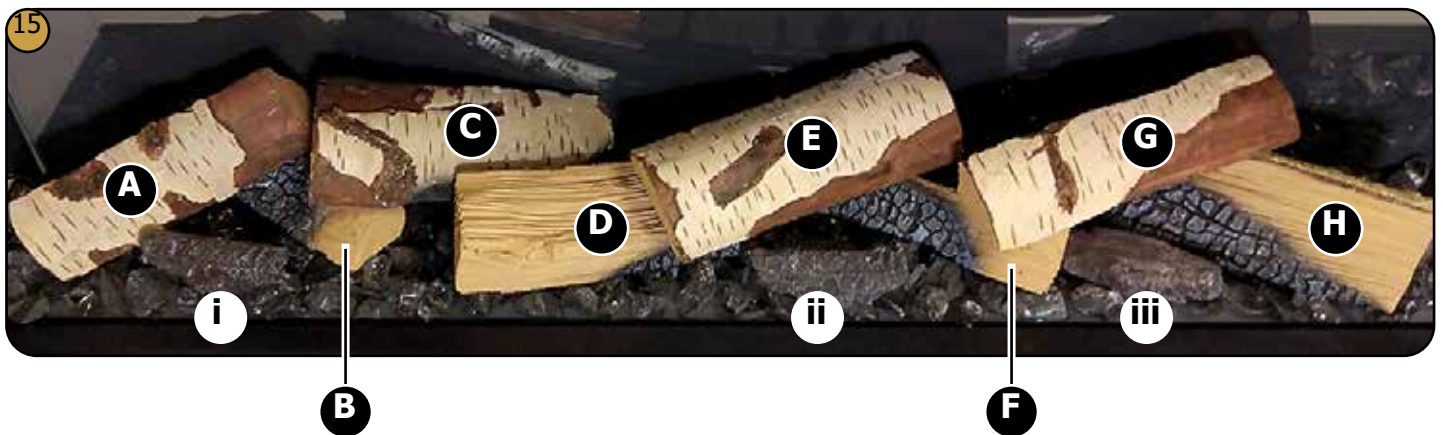


Onyx EX110, EX150 & EX190

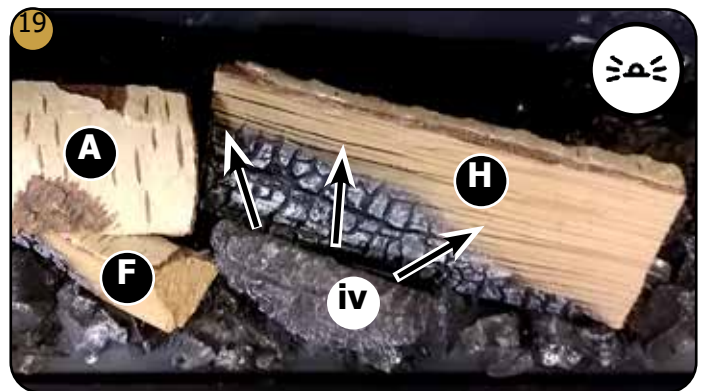
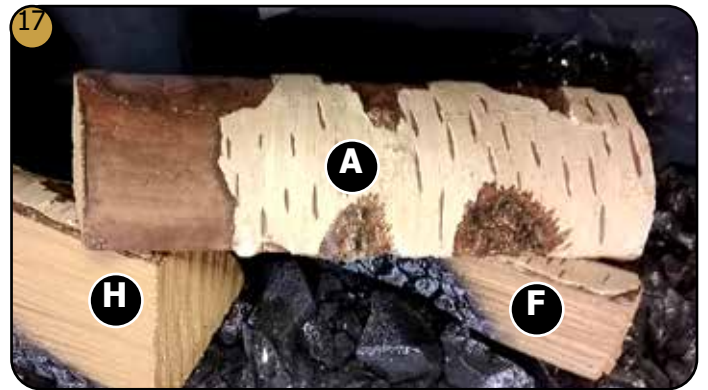




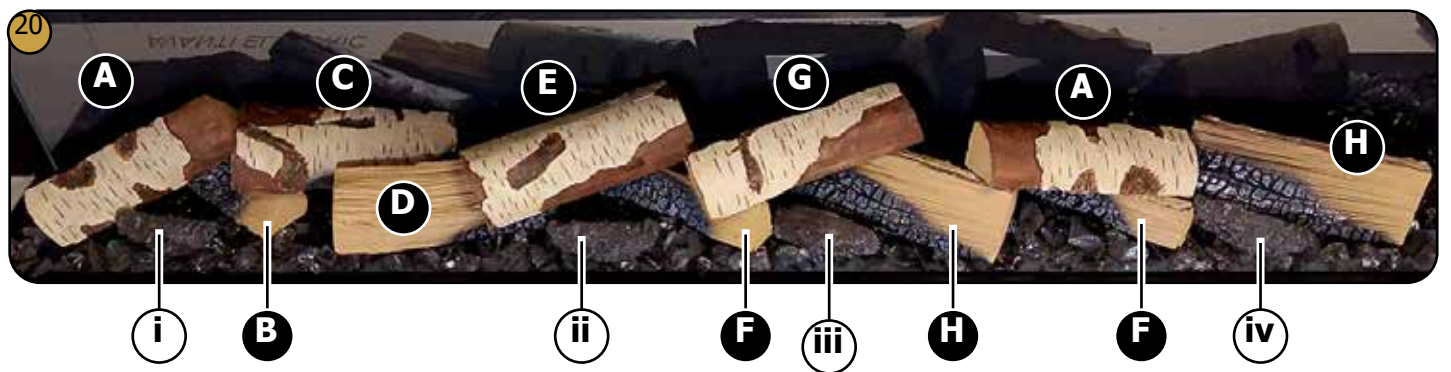
Onyx EX110



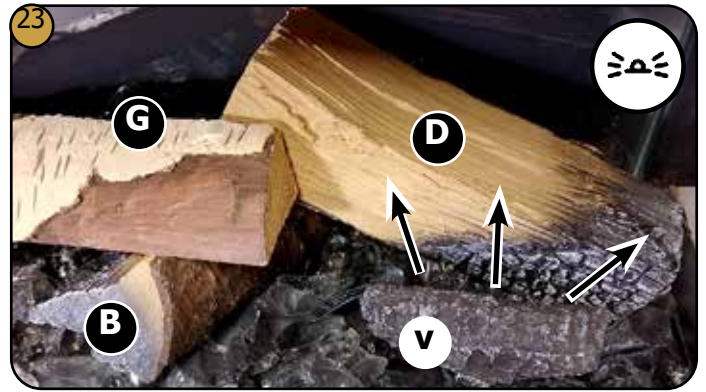
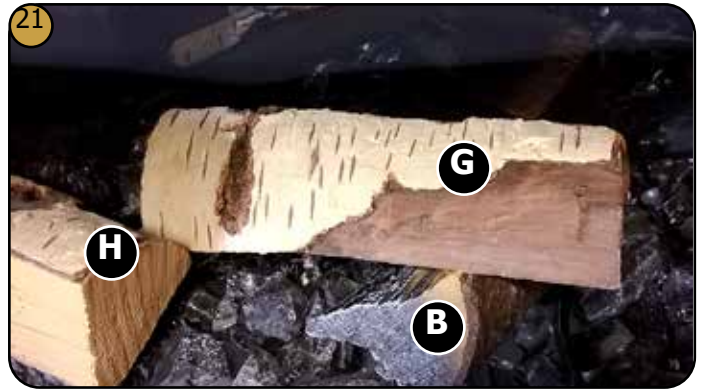
Onyx EX150 & EX190



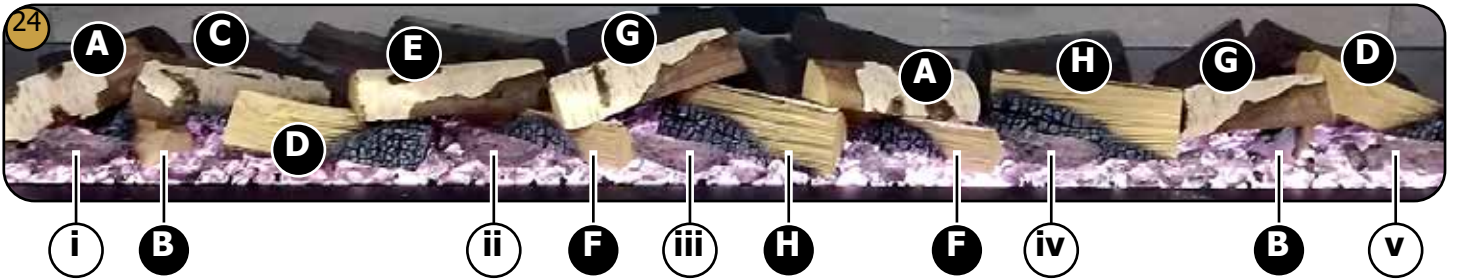
Onyx EX150



Onyx EX190

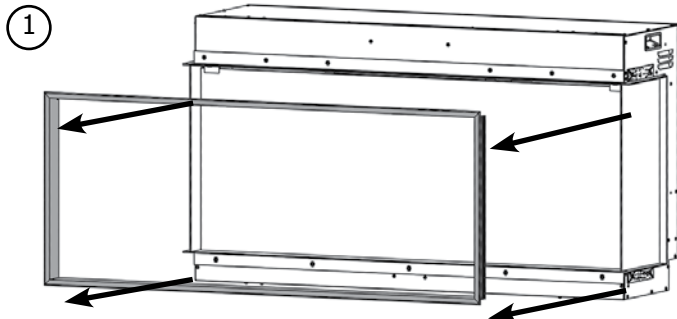


Onyx EX190

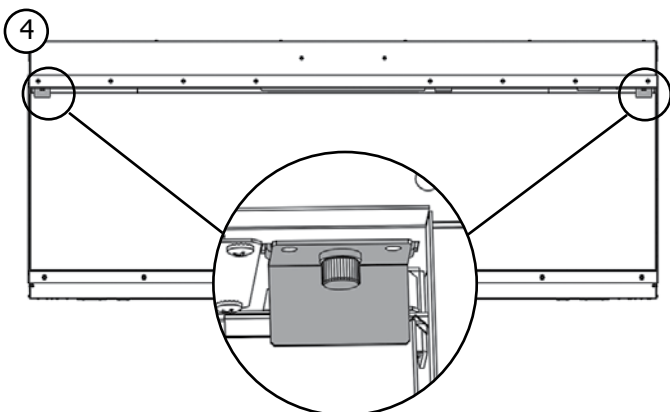
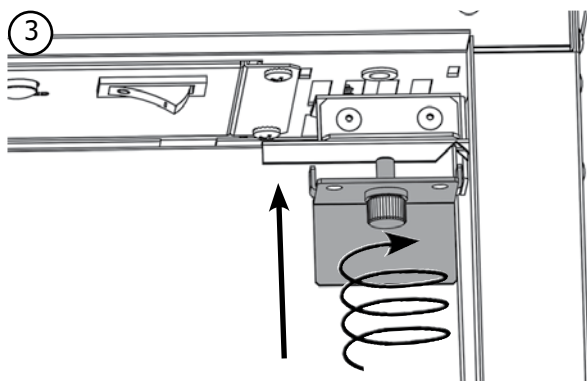
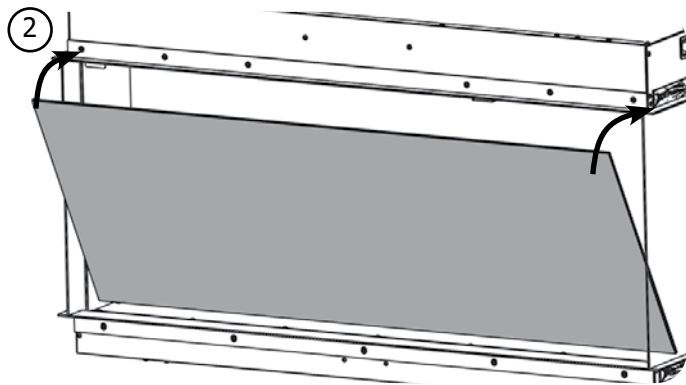


COMPLETION OF ASSEMBLY

Once media has been installed, follow steps below to reinstall glass.



The decorative finishing trim (shown above) would only be installed if this was installed as a single sided. If installed as a two sided/ three side the decorative finishing trim will need to be recycled as it cannot be used.



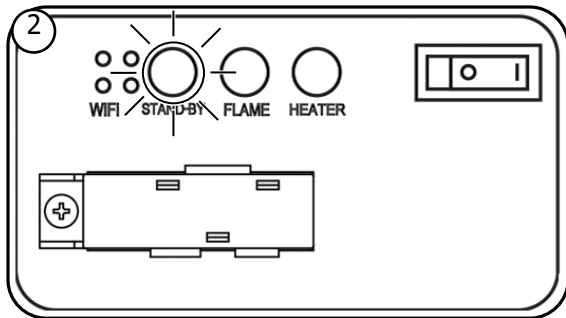
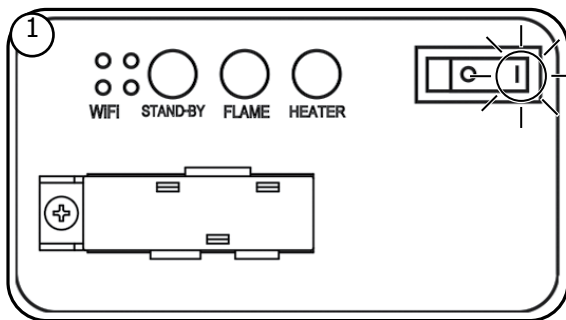
SERVICING INSTRUCTIONS

PAIRING THE REMOTE CONTROL TO THE APPLIANCE

Signal Code

The below operations should be carried out before coding when changing to a new remote or the unit cannot be controlled by the remote:

Press the power button until 2 short beeps sound from the unit, release the button.

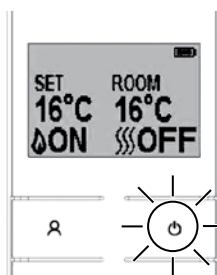


3 seconds



2 Beeps

3



1 Beep

Within 10 seconds, press the  button on remote. The coding is finished when 1 long beep sounds from the unit.

Resetting of the remote control is necessary if the appliance operates wrongly due to external interference signal and the remote control is not in use.

Open the back cover of the Remote.

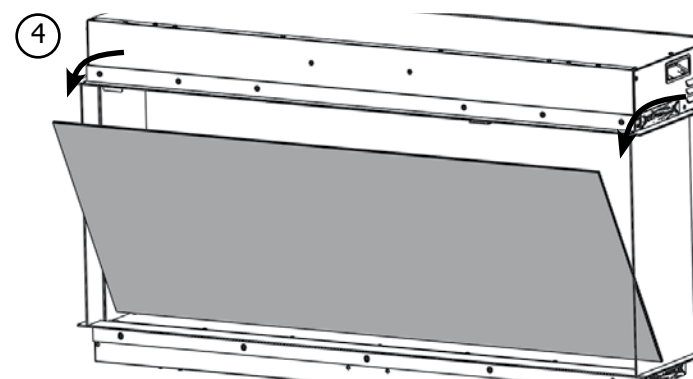
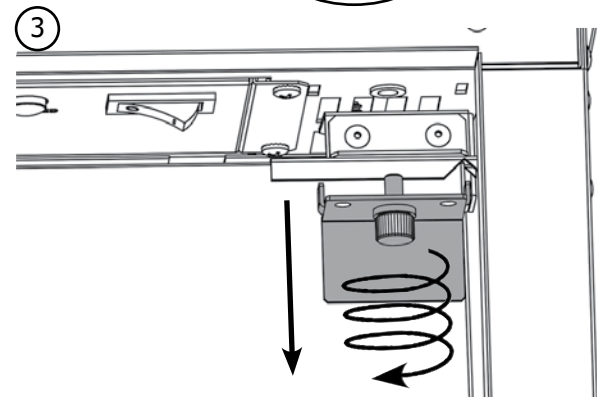
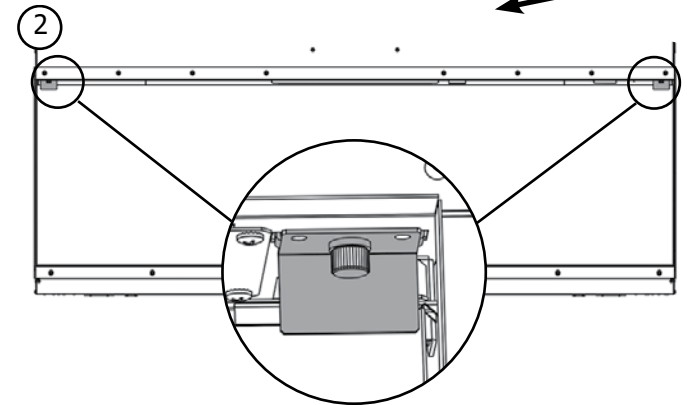
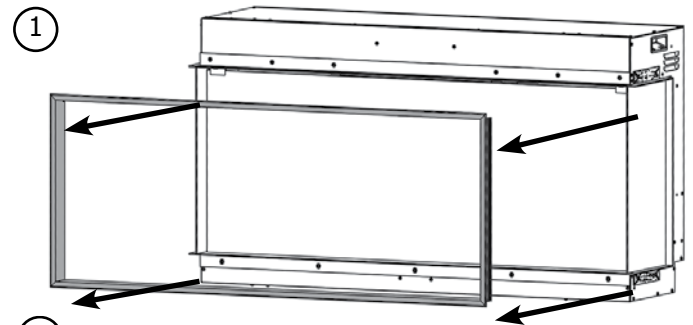
Press the Reset button for 3 seconds and reset the coding.



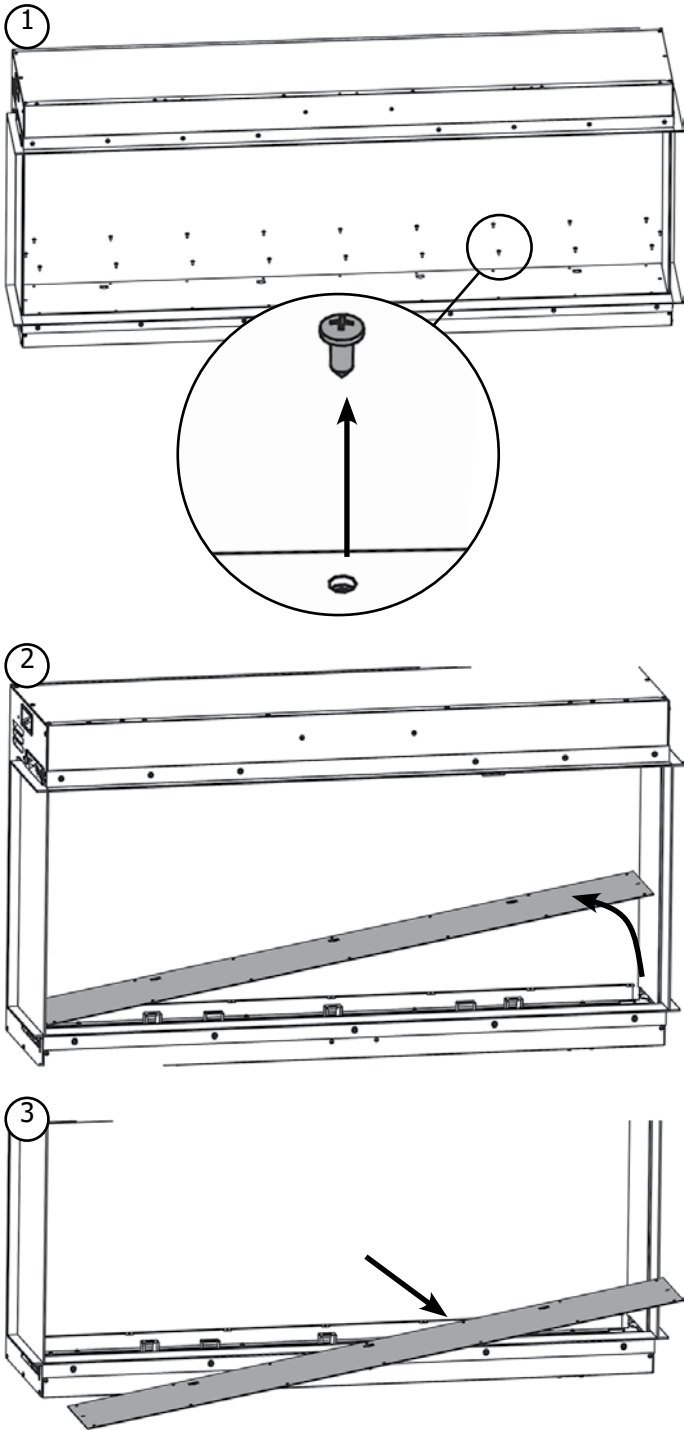
ACCESSING THE FUEL BED

The decorative finishing trim (if installed), glass, media will need to be removed in order to do any maintenance inside of the appliance. **THIS APPLIANCE MUST ONLY BE SERVICED BY A SUITABLY QUALIFIED PERSON.**

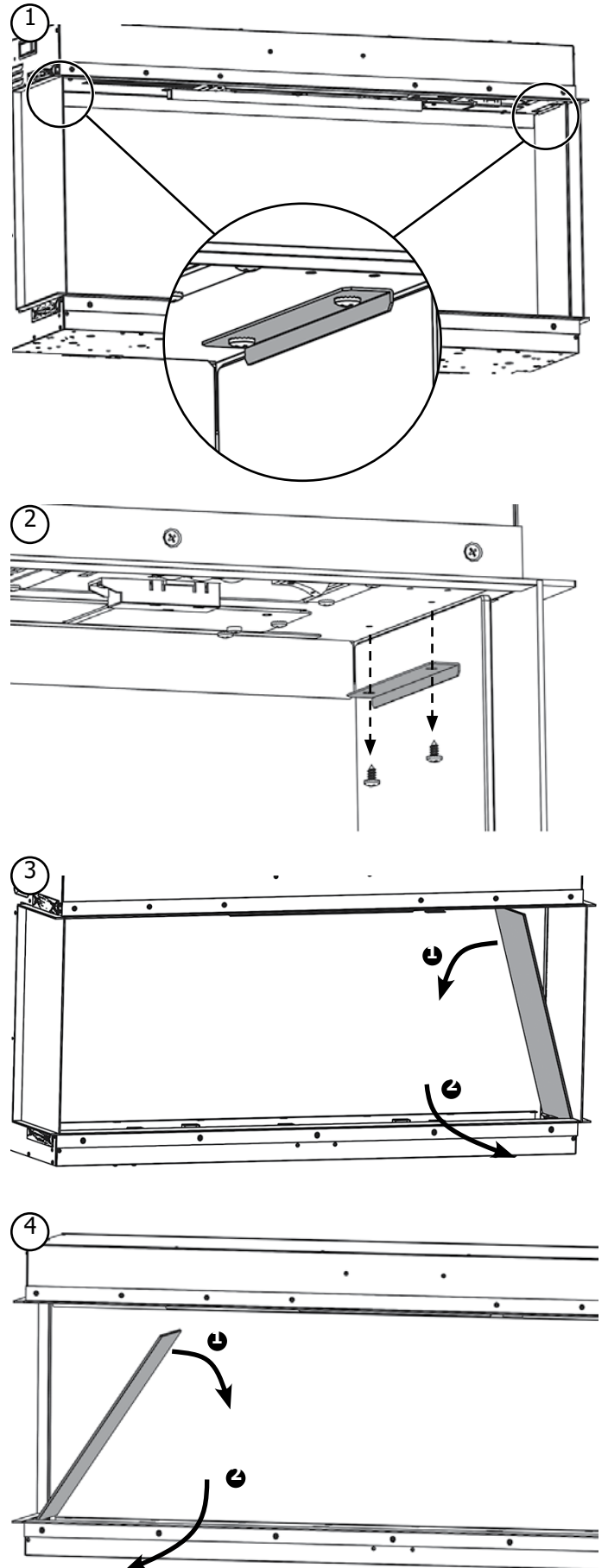
BEFORE UNDERTAKING ANY WORK ON THE APPLIANCE: SWITCH OFF THE APPLIANCE AND ISOLATE THE POWER SUPPLY ENSURING THERE IS NO POWER TO THE APPLIANCE. Wait for at least 10 minutes until the appliance has cooled down.



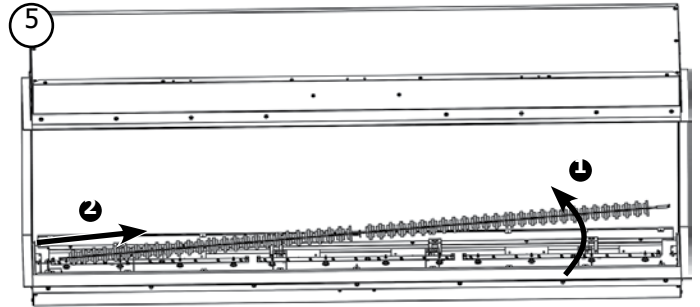
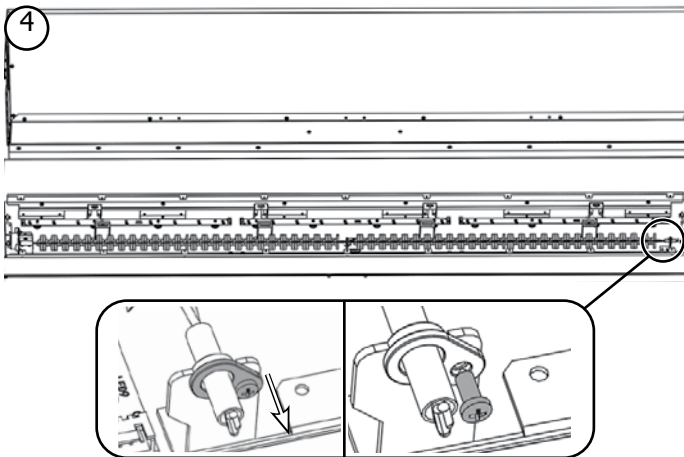
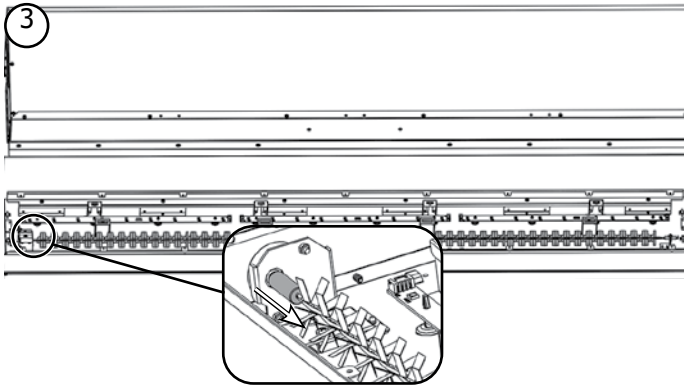
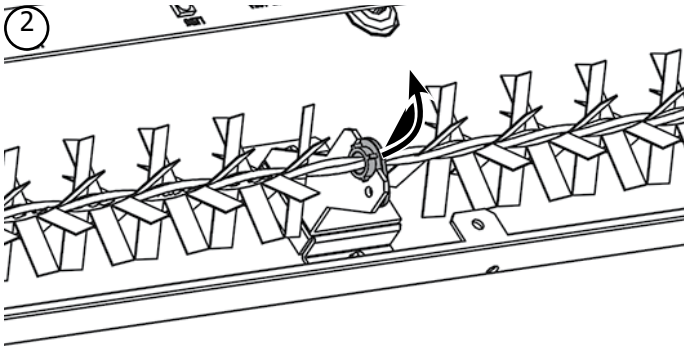
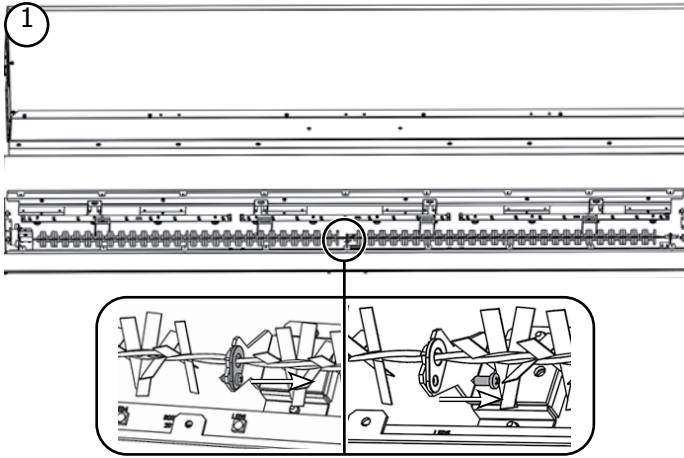
REMOVING THE FUEL BED



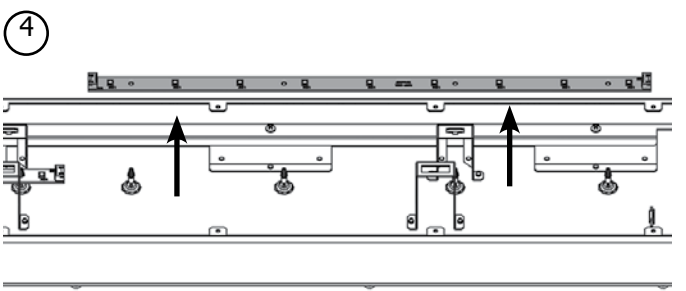
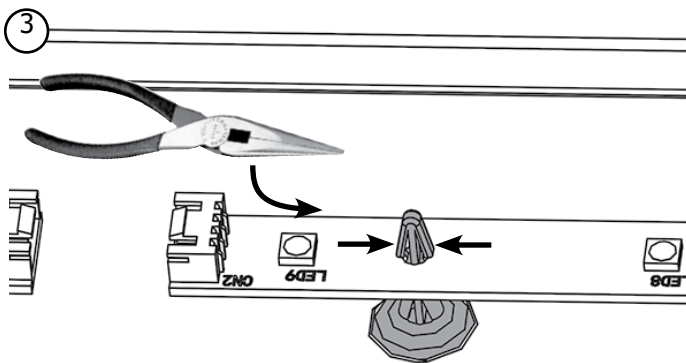
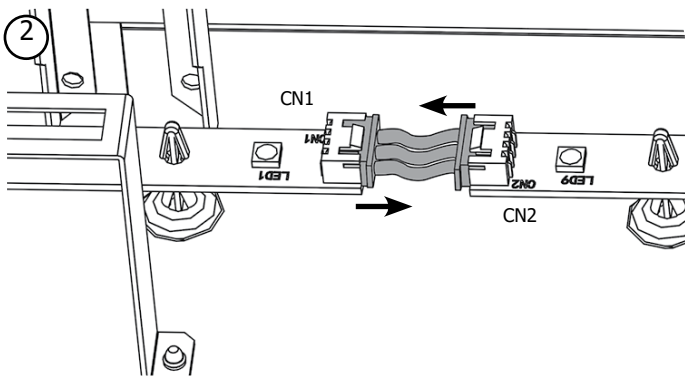
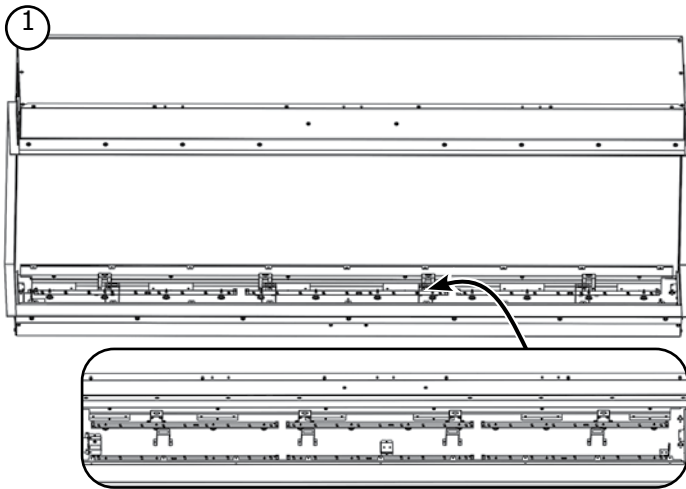
REMOVING THE GLASS SIDE PANELS



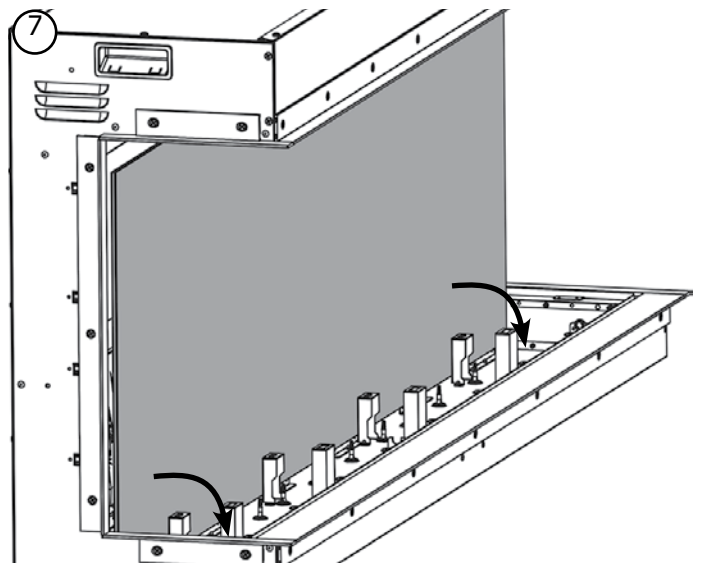
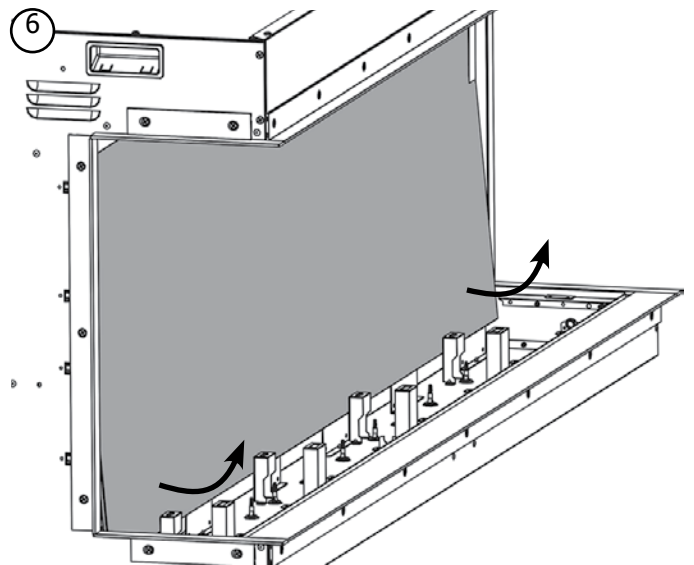
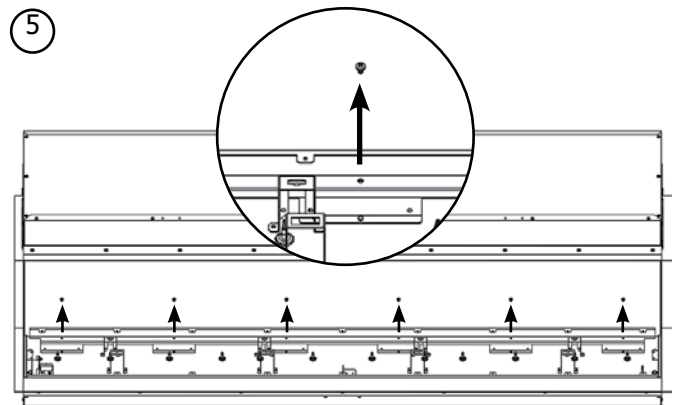
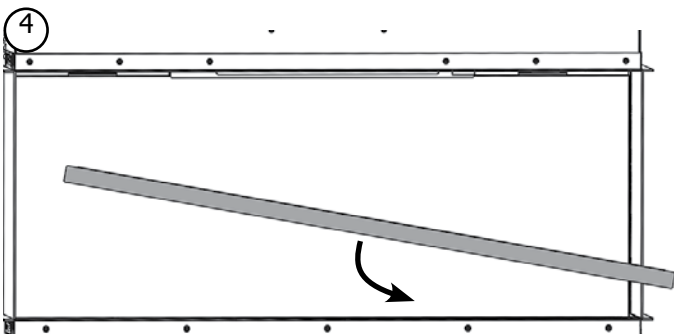
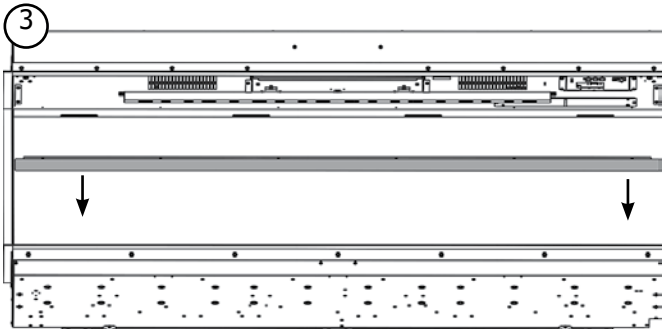
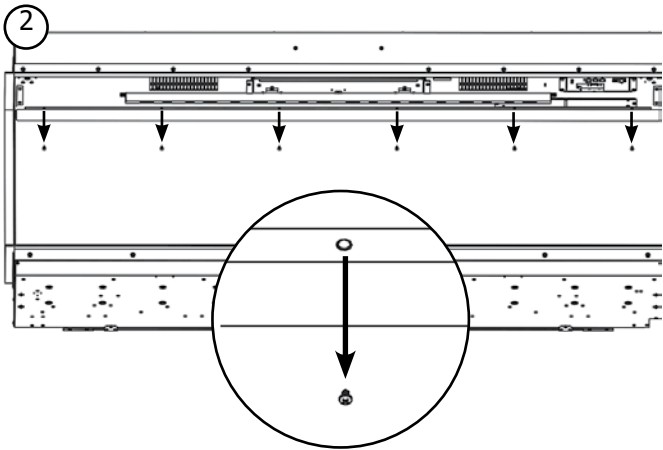
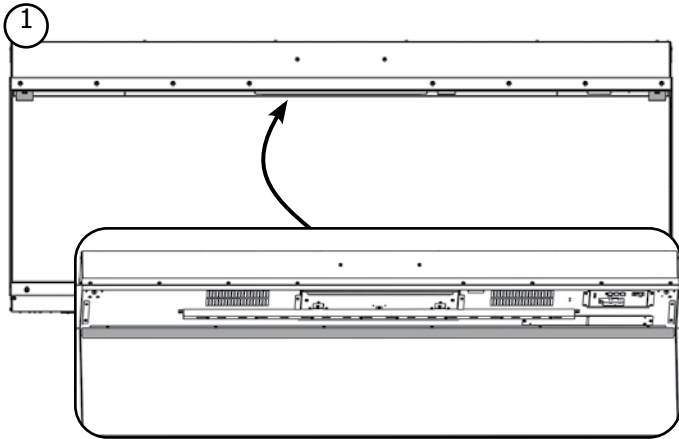
REMOVING THE FUEL BED EFFECT SPINDLE

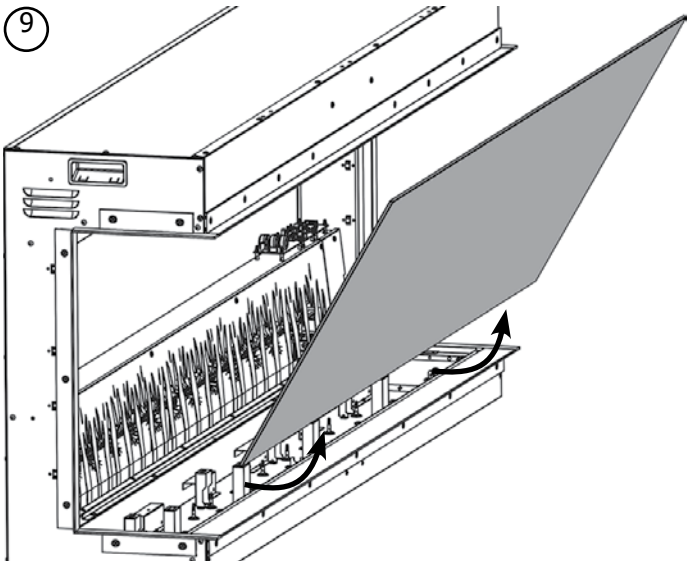
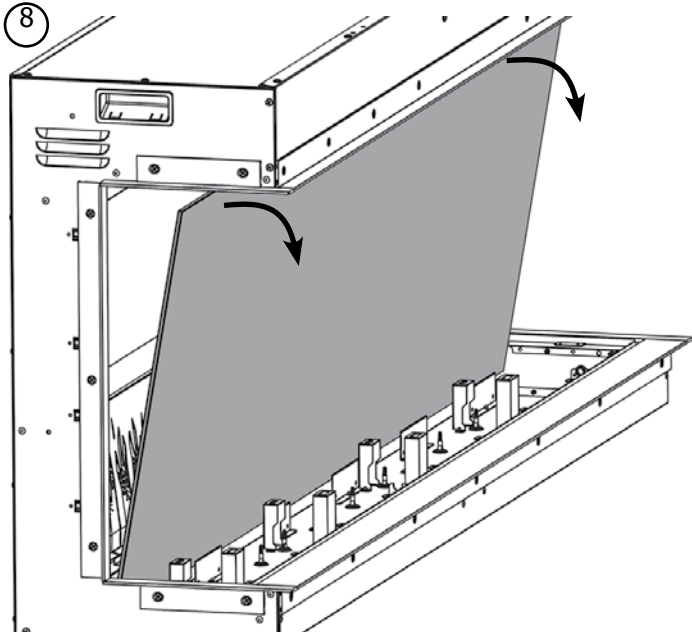


REPLACING THE FUEL BED LEDS

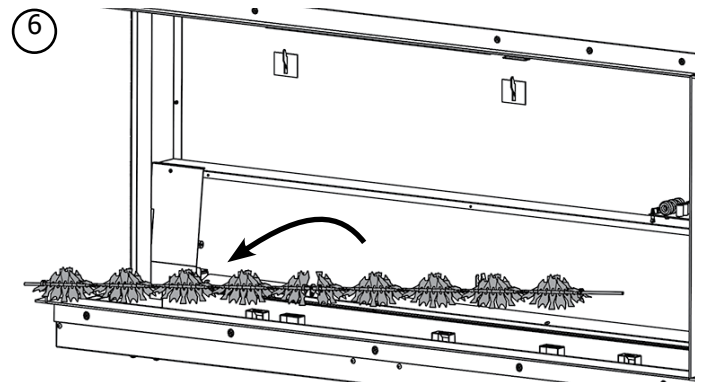
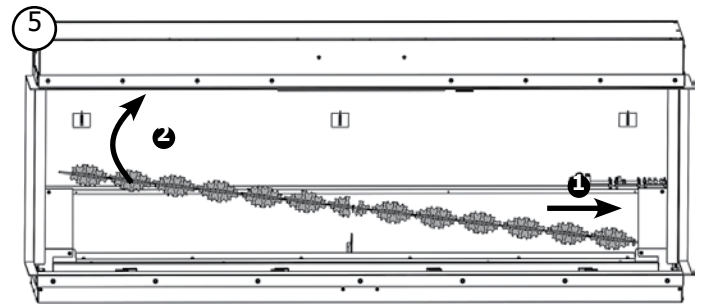
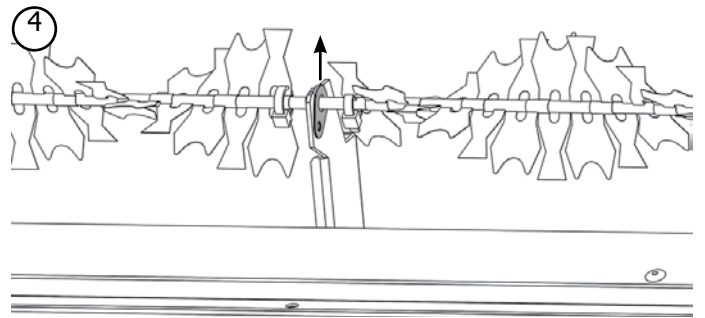
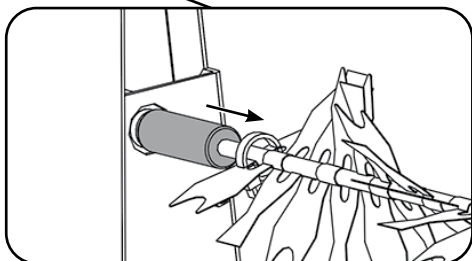
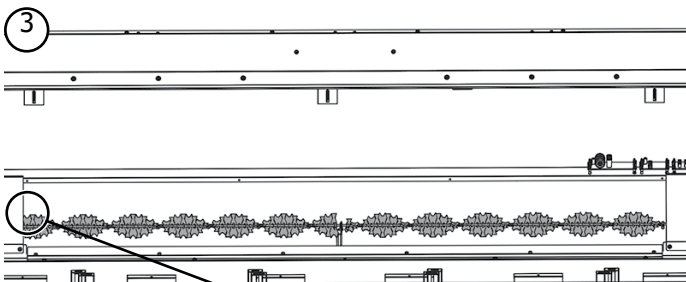
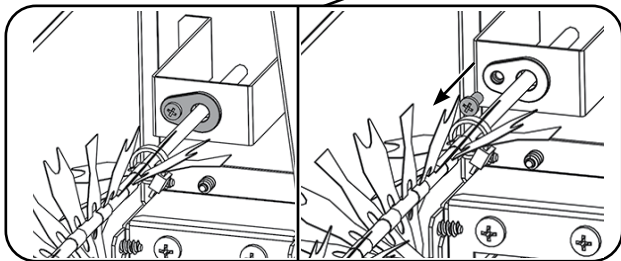
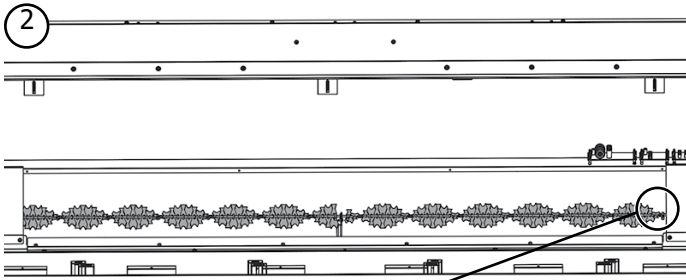
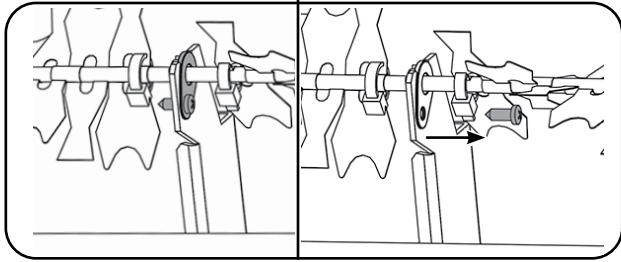
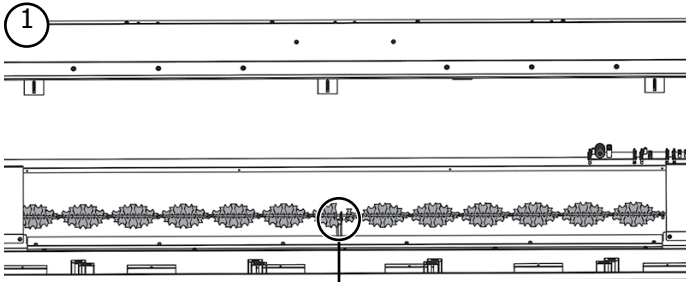


REMOVING THE INNER SCREEN

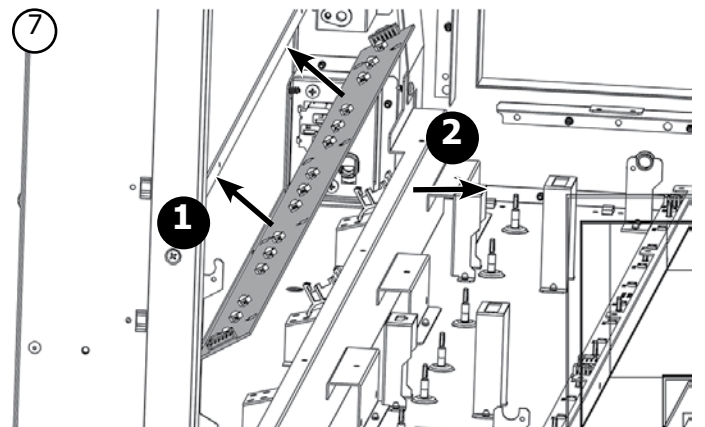
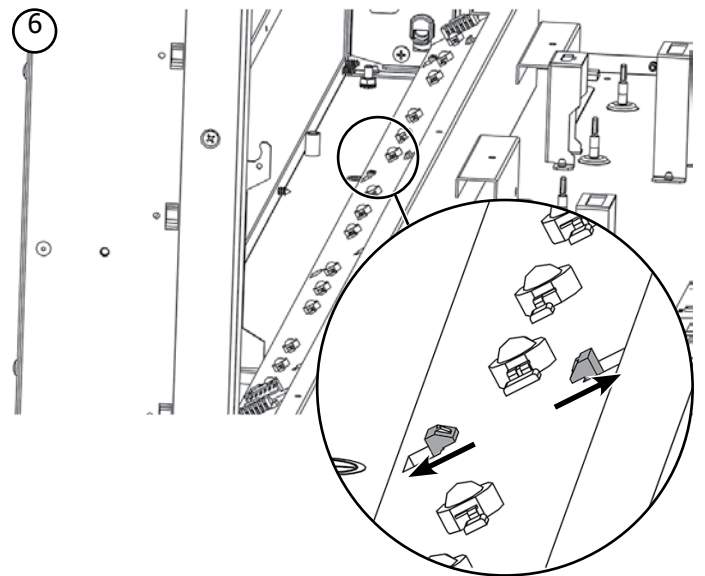
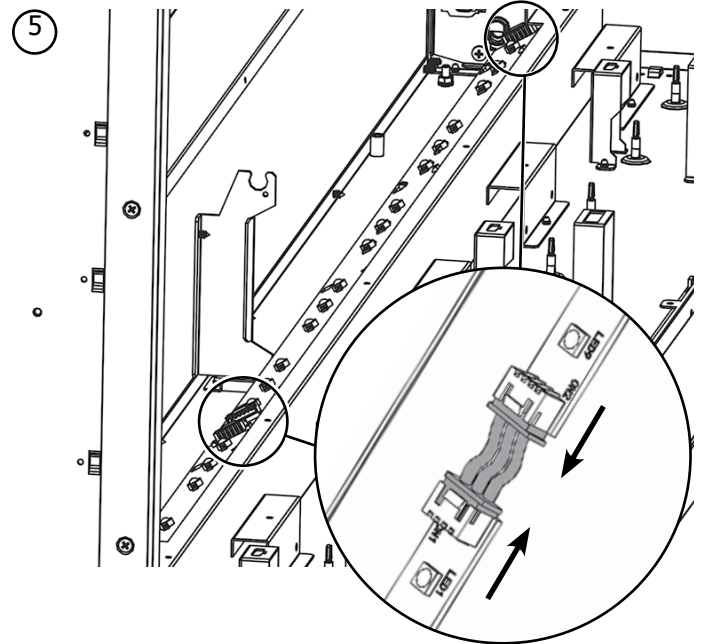
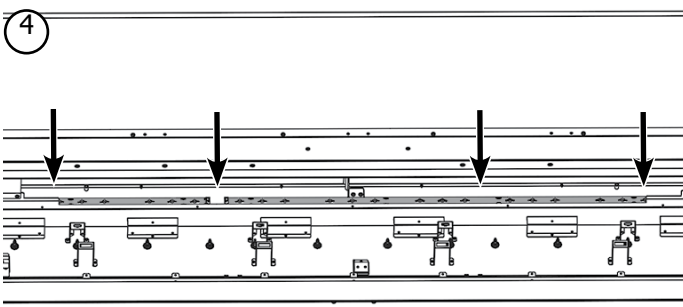
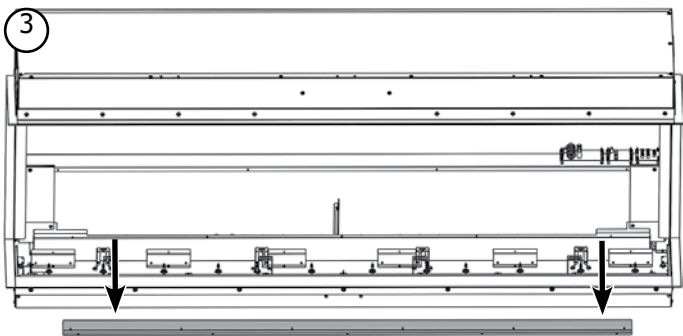
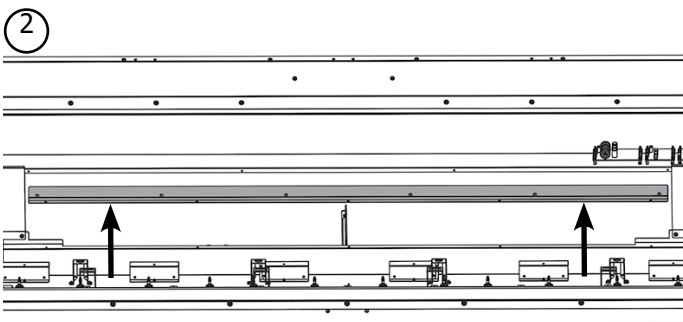
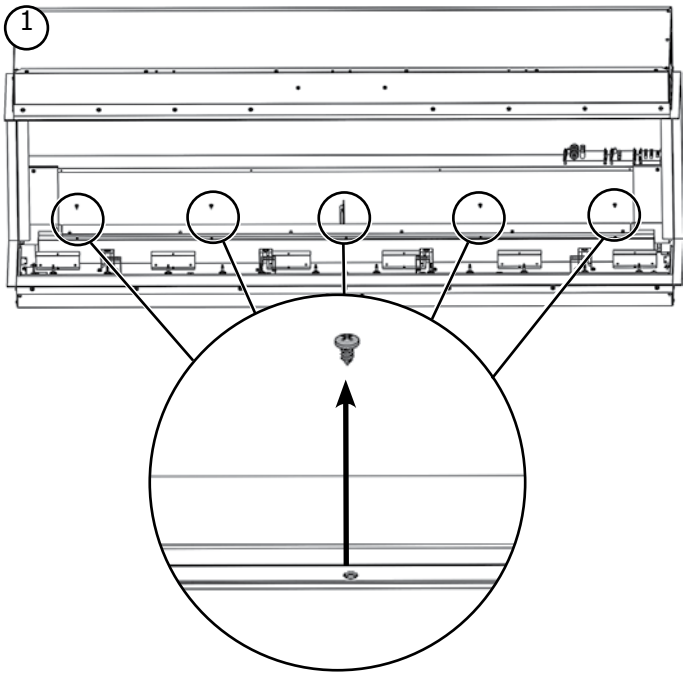




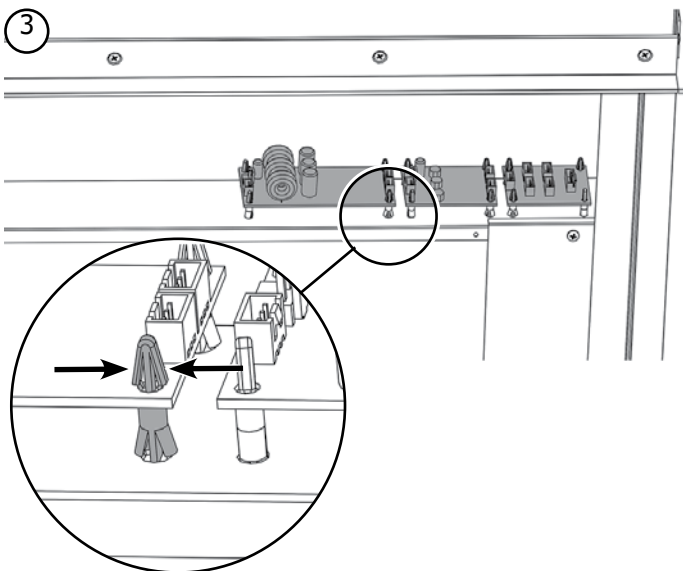
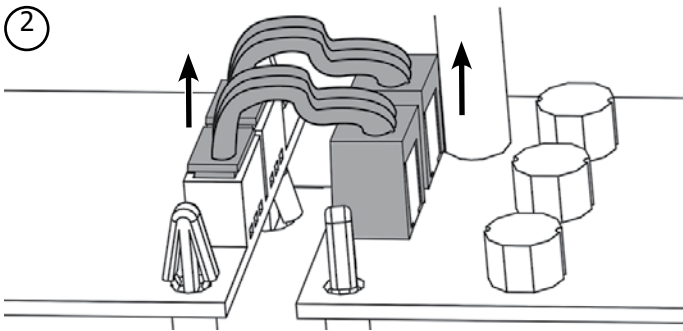
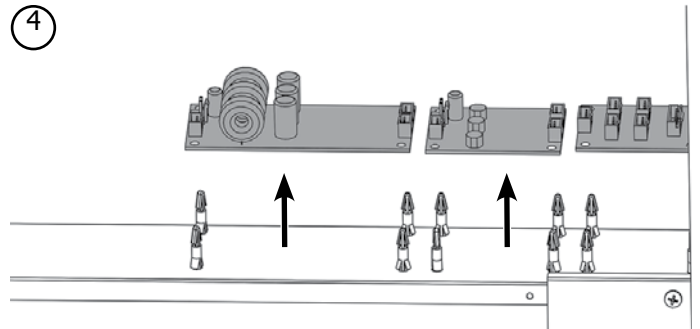
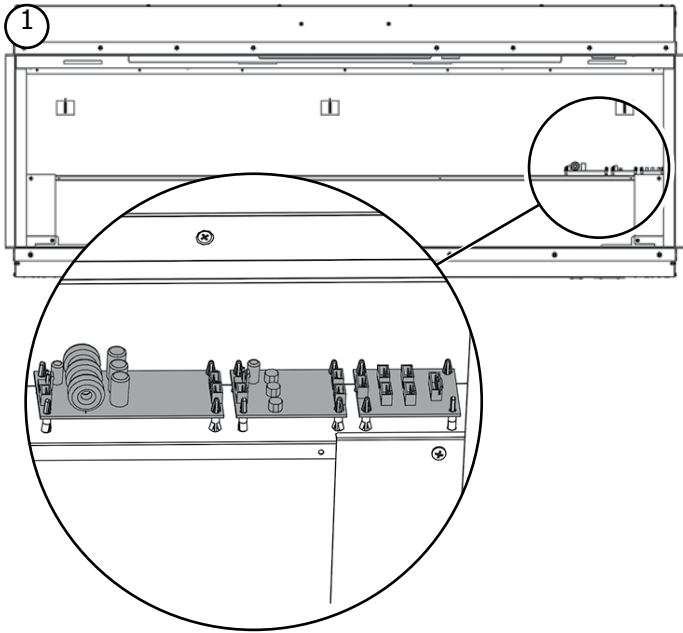
REMOVING THE EFFECT SPINDLE



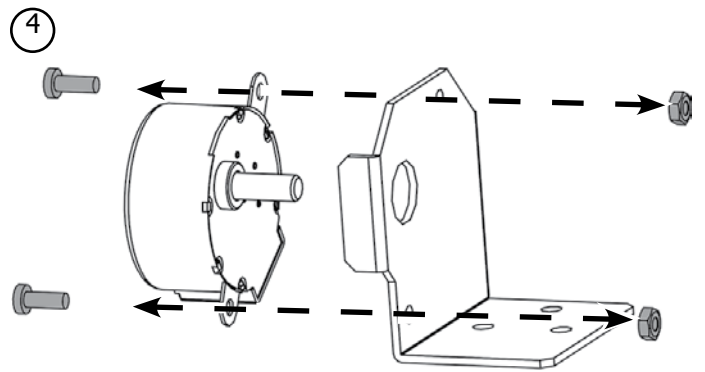
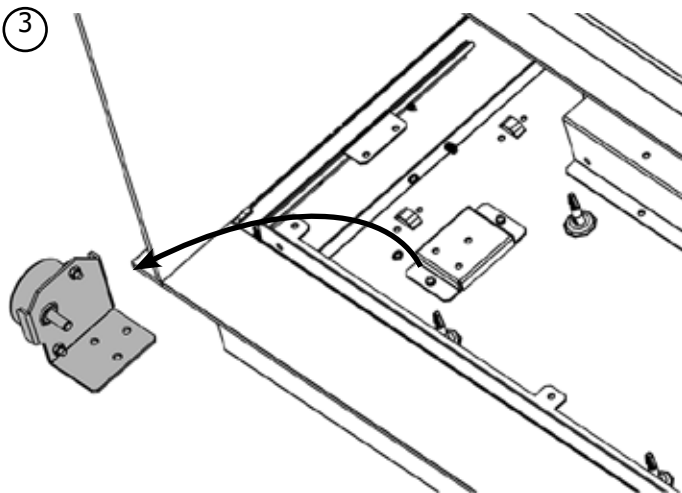
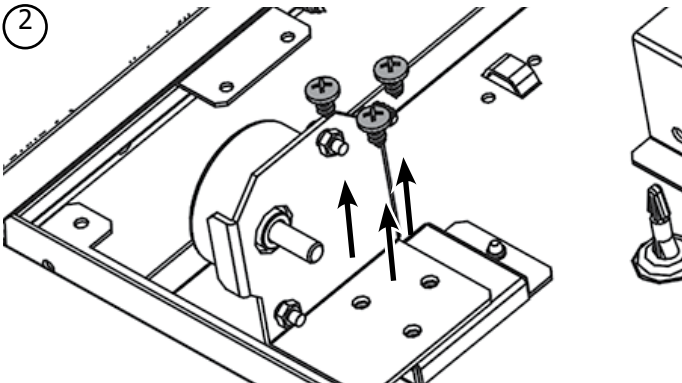
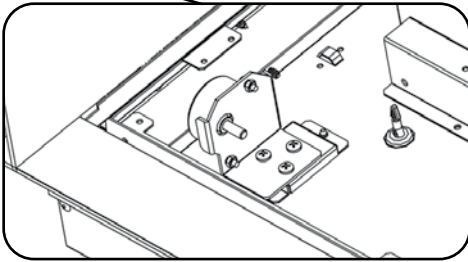
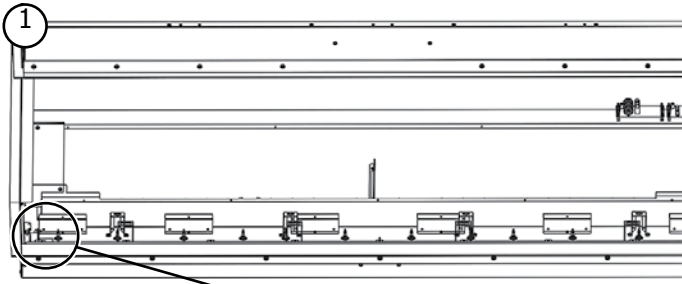
REPLACING THE FLAME EFFECT LEDS



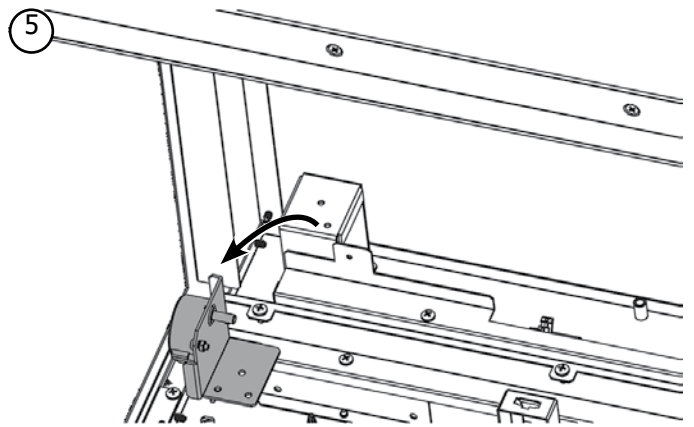
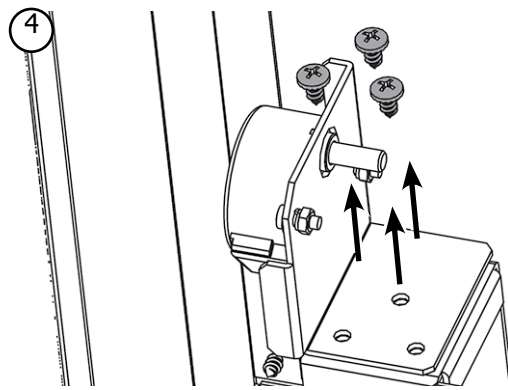
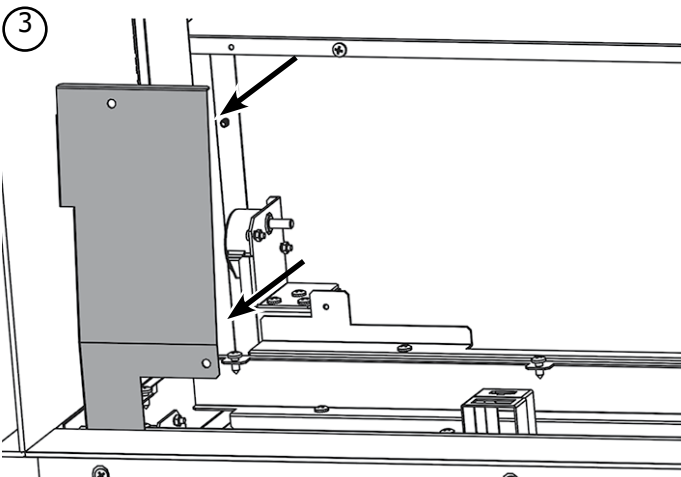
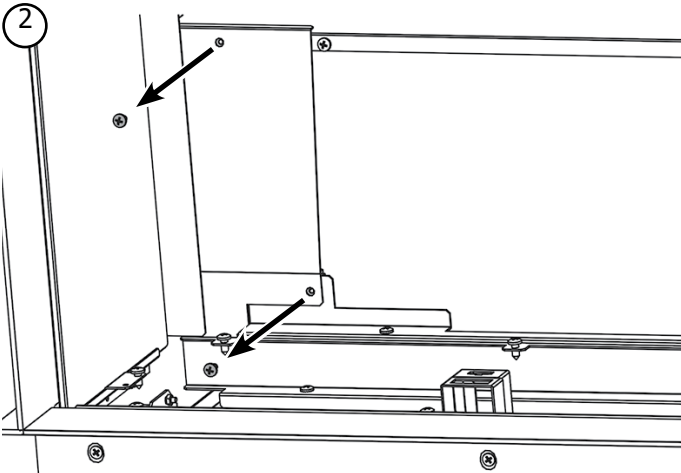
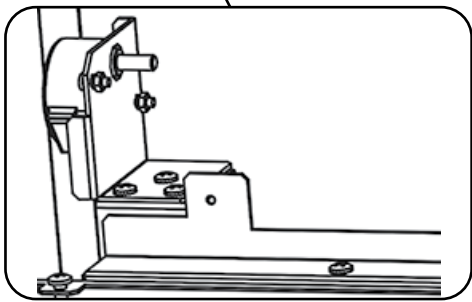
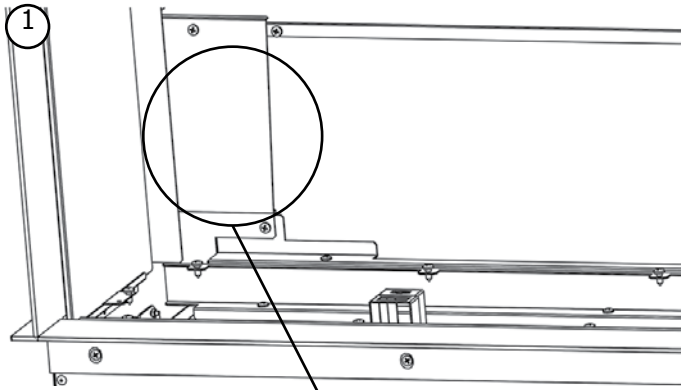
REMOVING THE LED DRIVERS



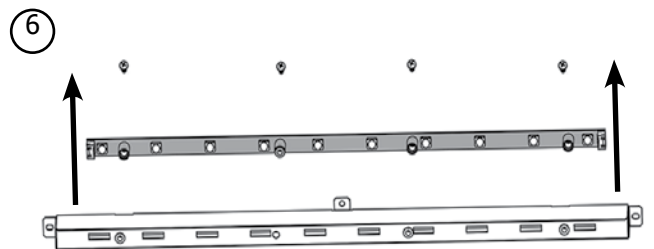
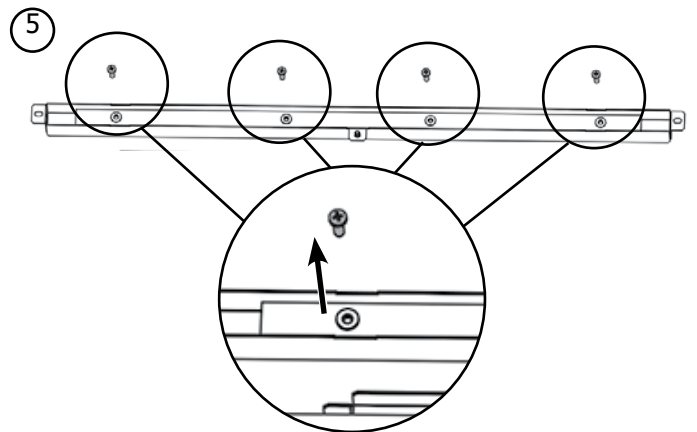
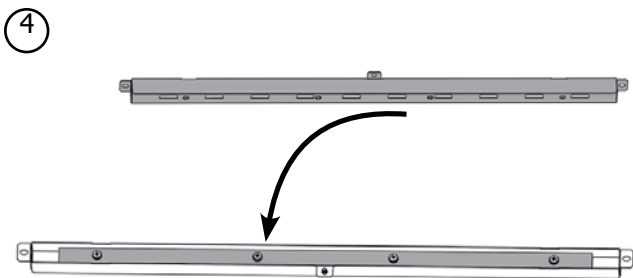
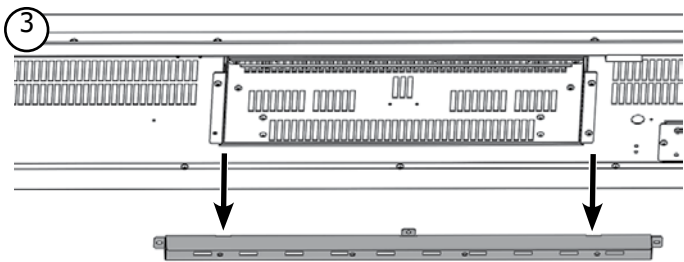
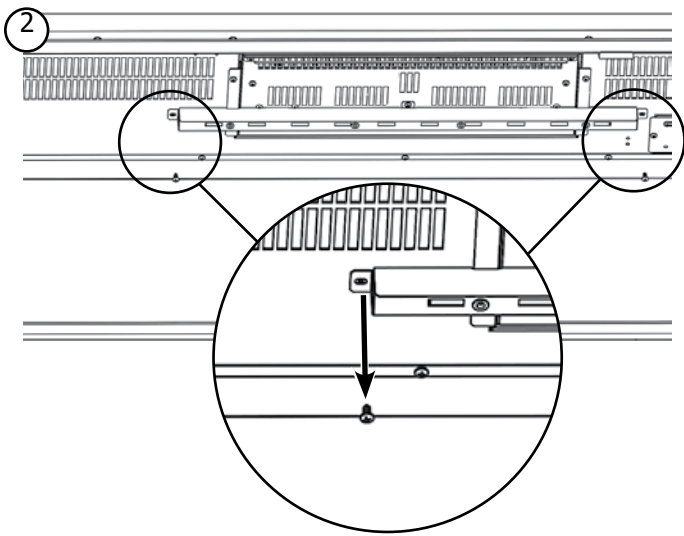
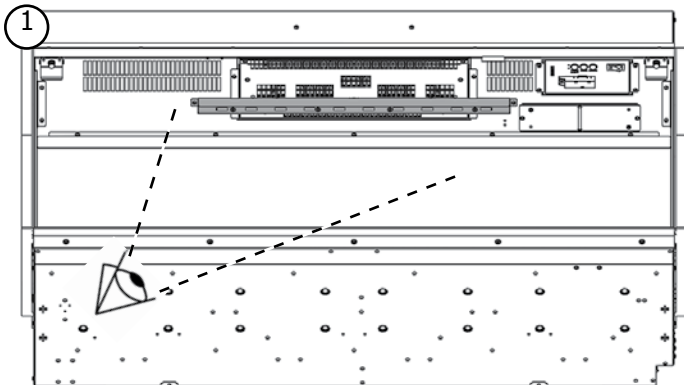
REMOVING THE FUEL BED MOTOR



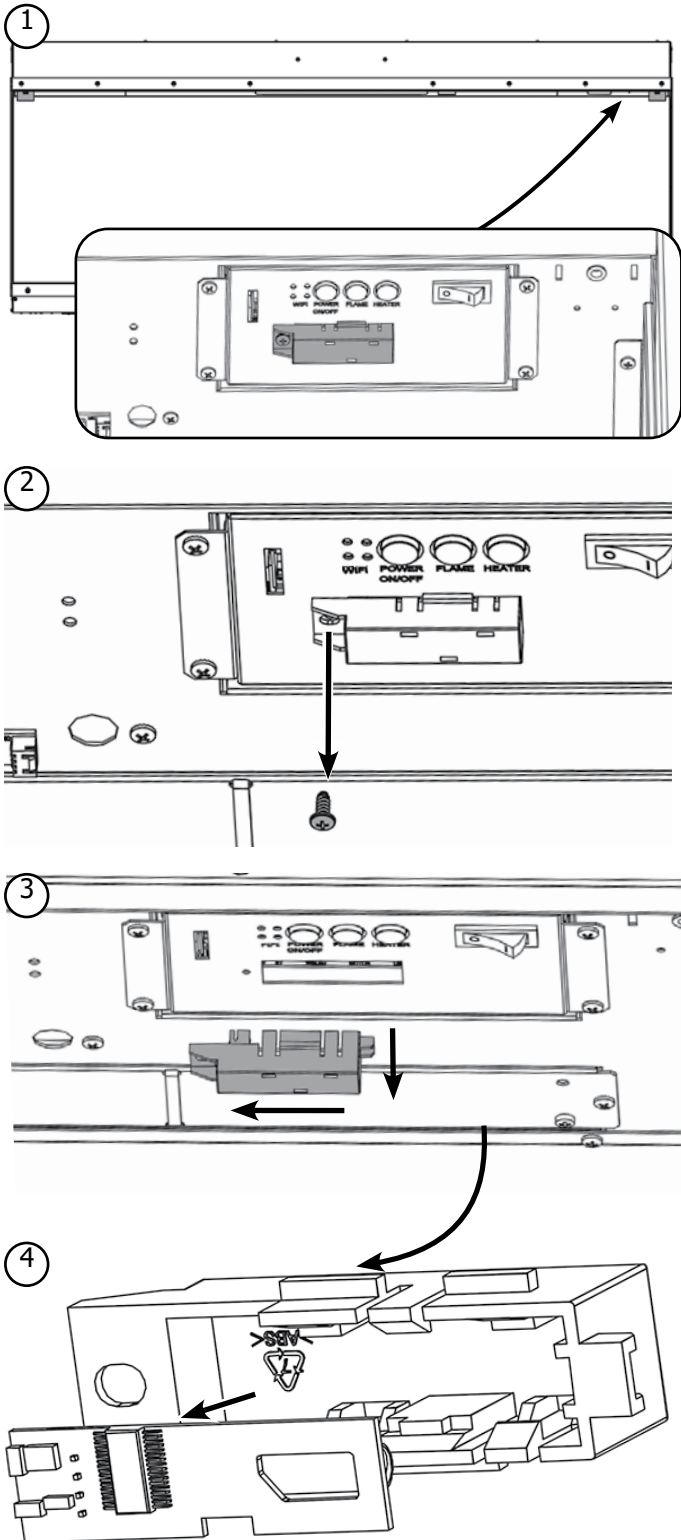
REMOVING THE FLAME EFFECT MOTOR



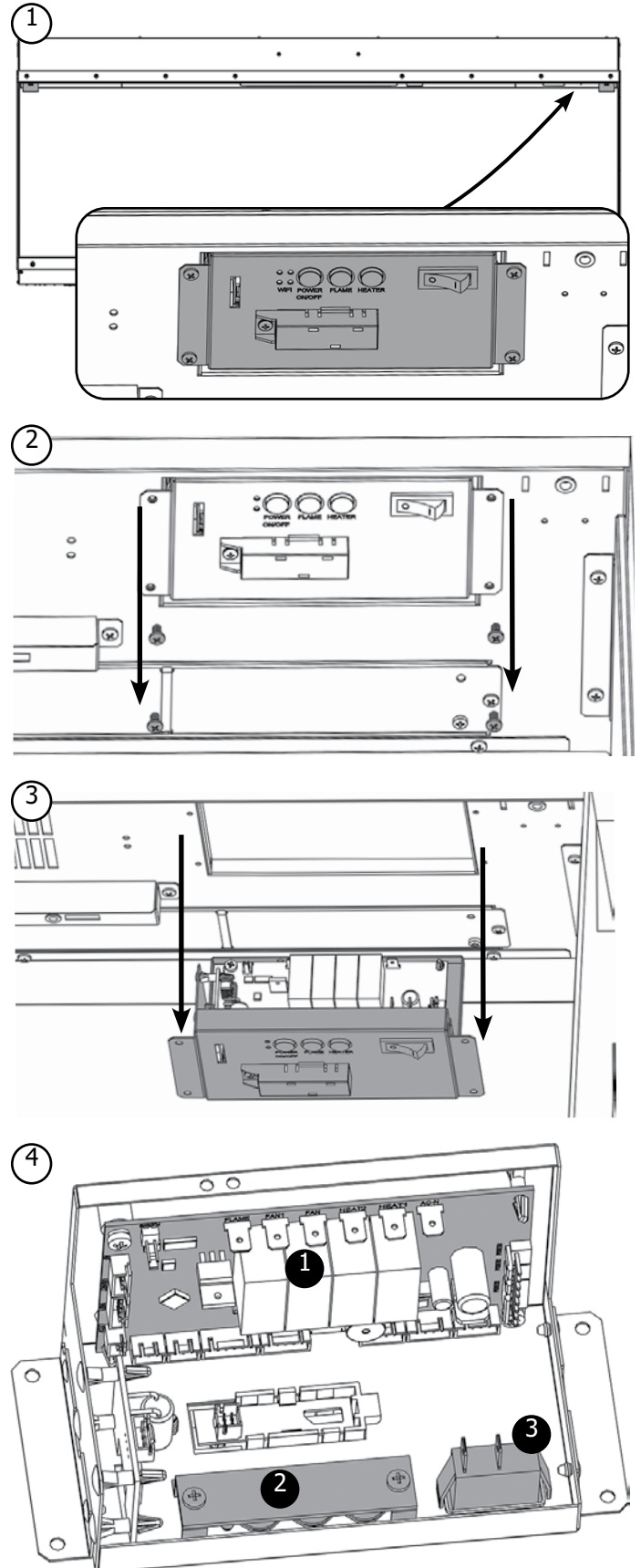
REMOVING THE DOWNLIGHT



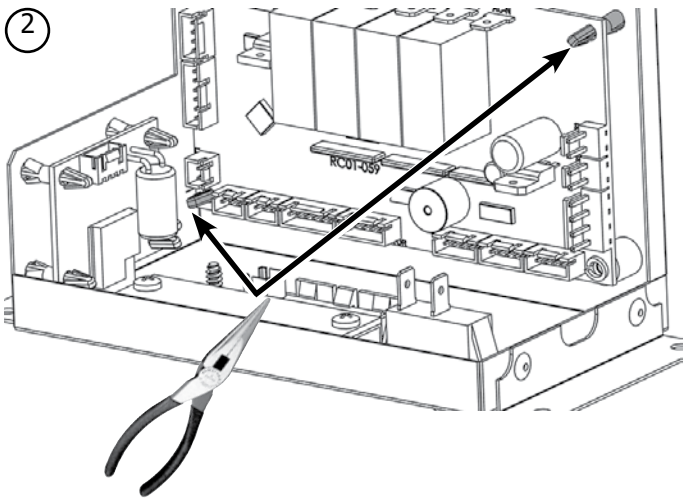
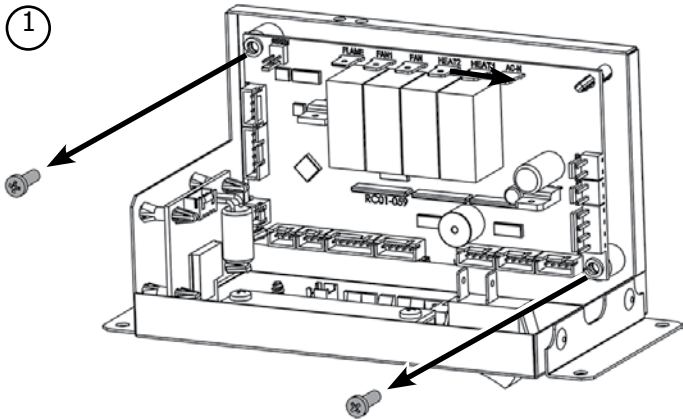
REMOVING THE RECEIVER



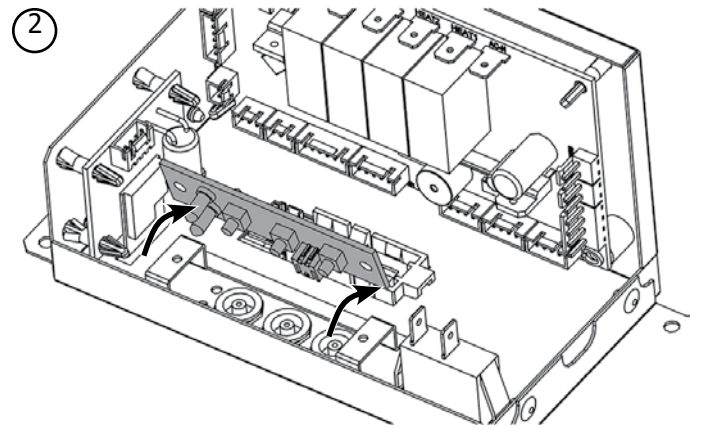
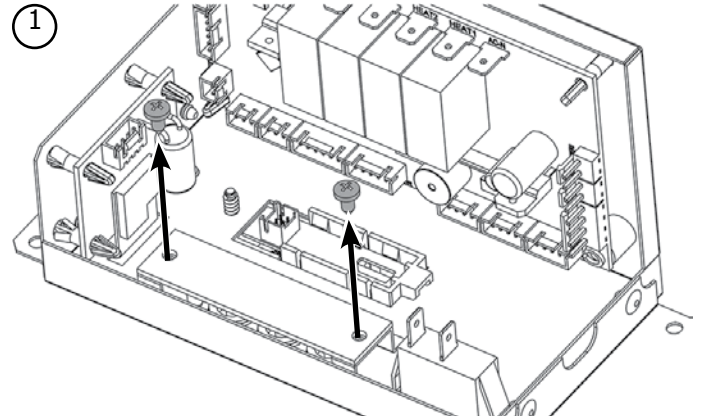
REPLACING THE CONTROL UNIT



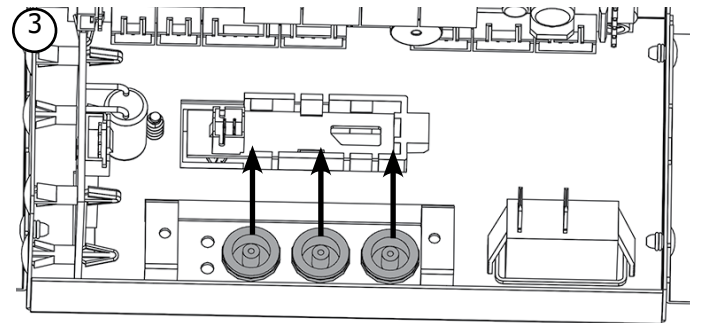
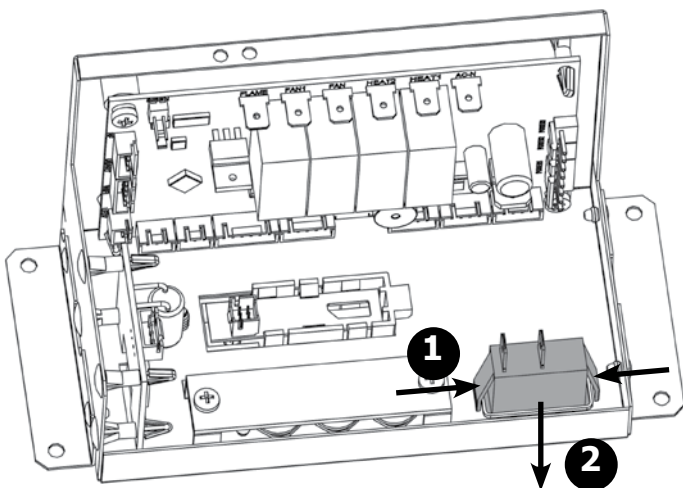
PCB



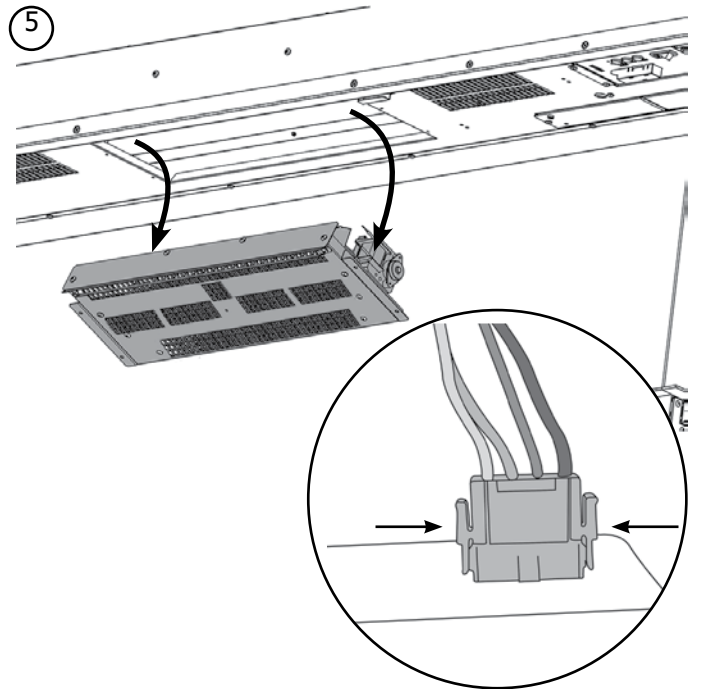
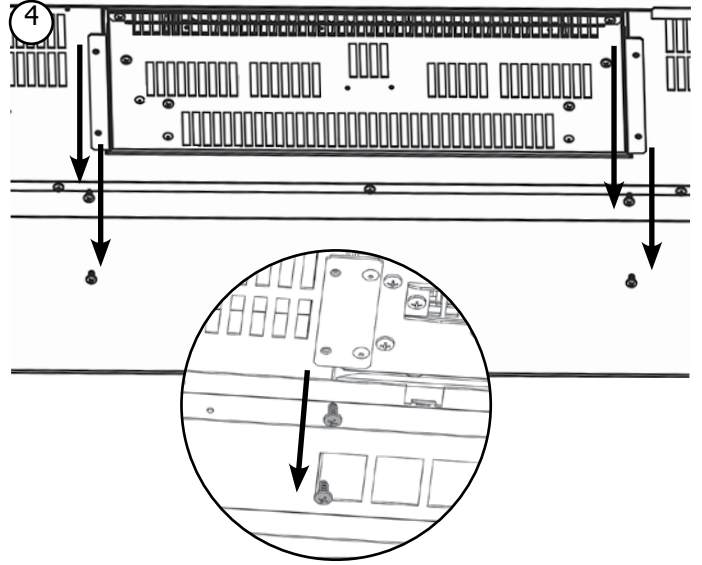
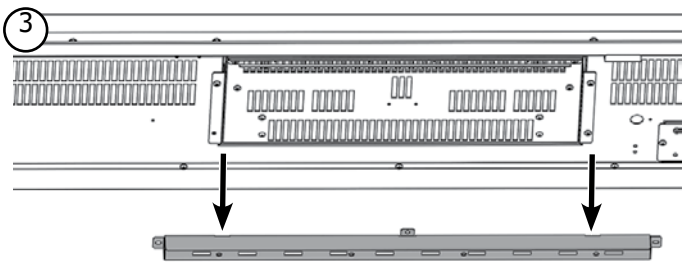
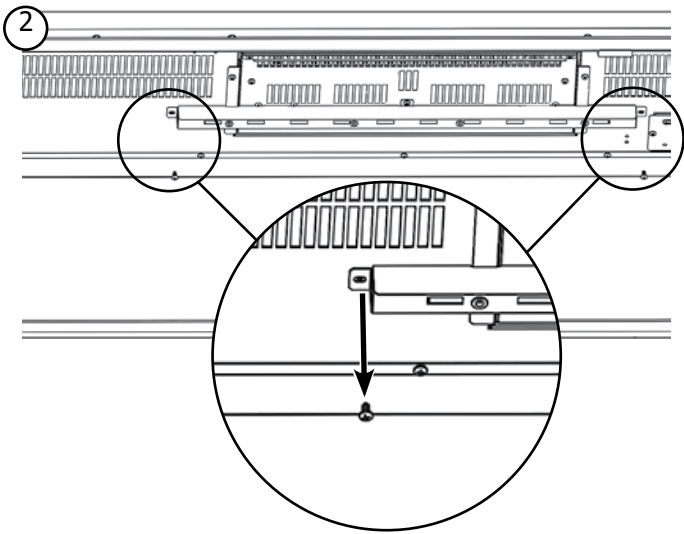
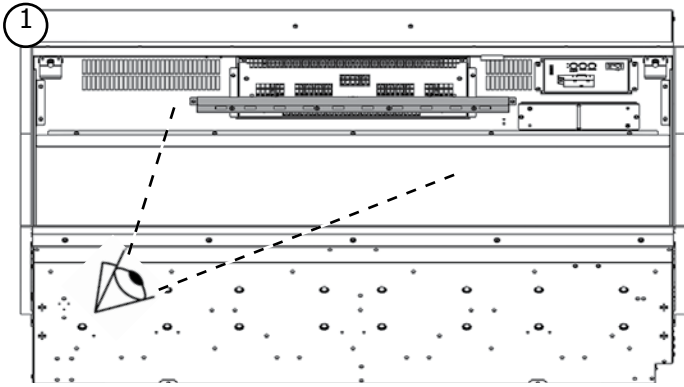
BUTTON BOARD



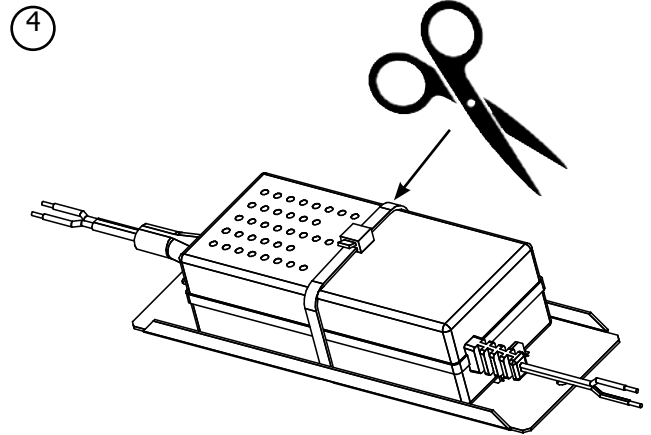
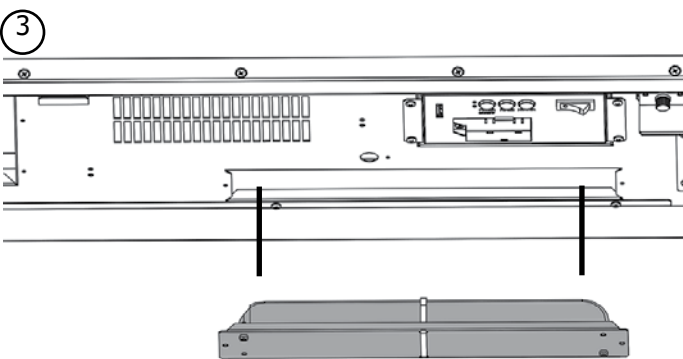
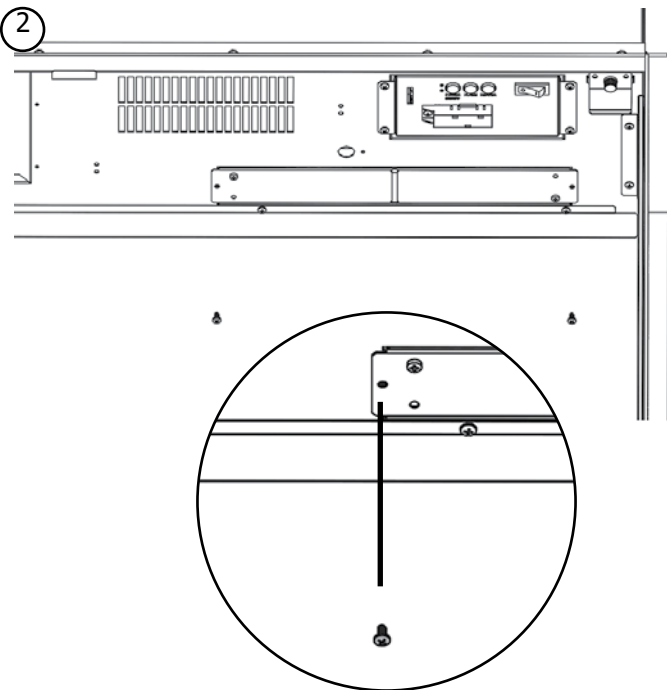
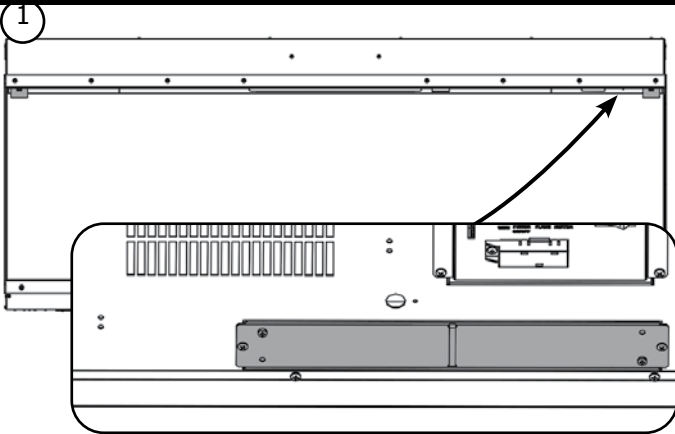
POWER SWITCH



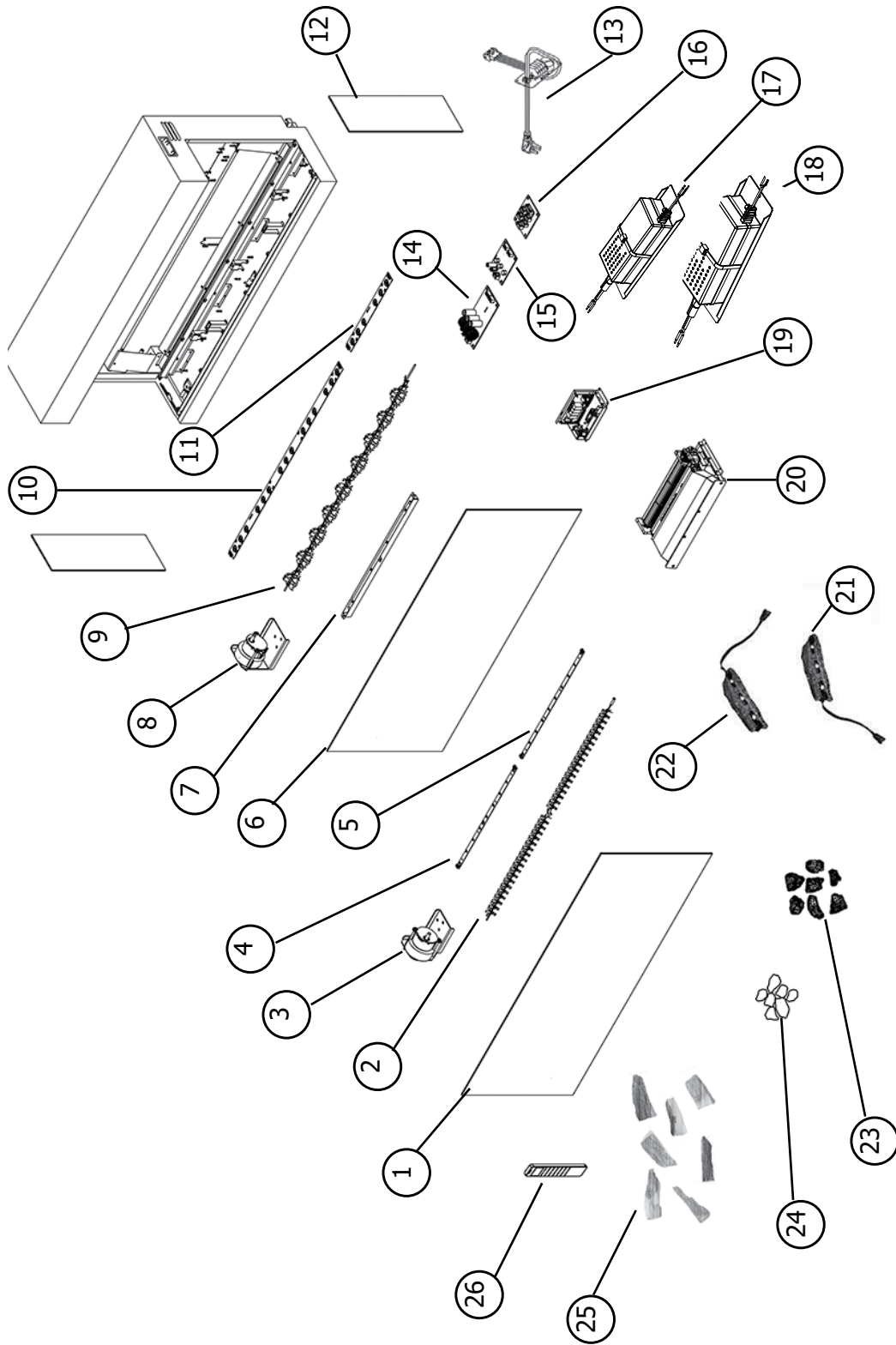
REPLACING THE HEATER



REPLACING THE POWER UNIT



SPARE PARTS LIST

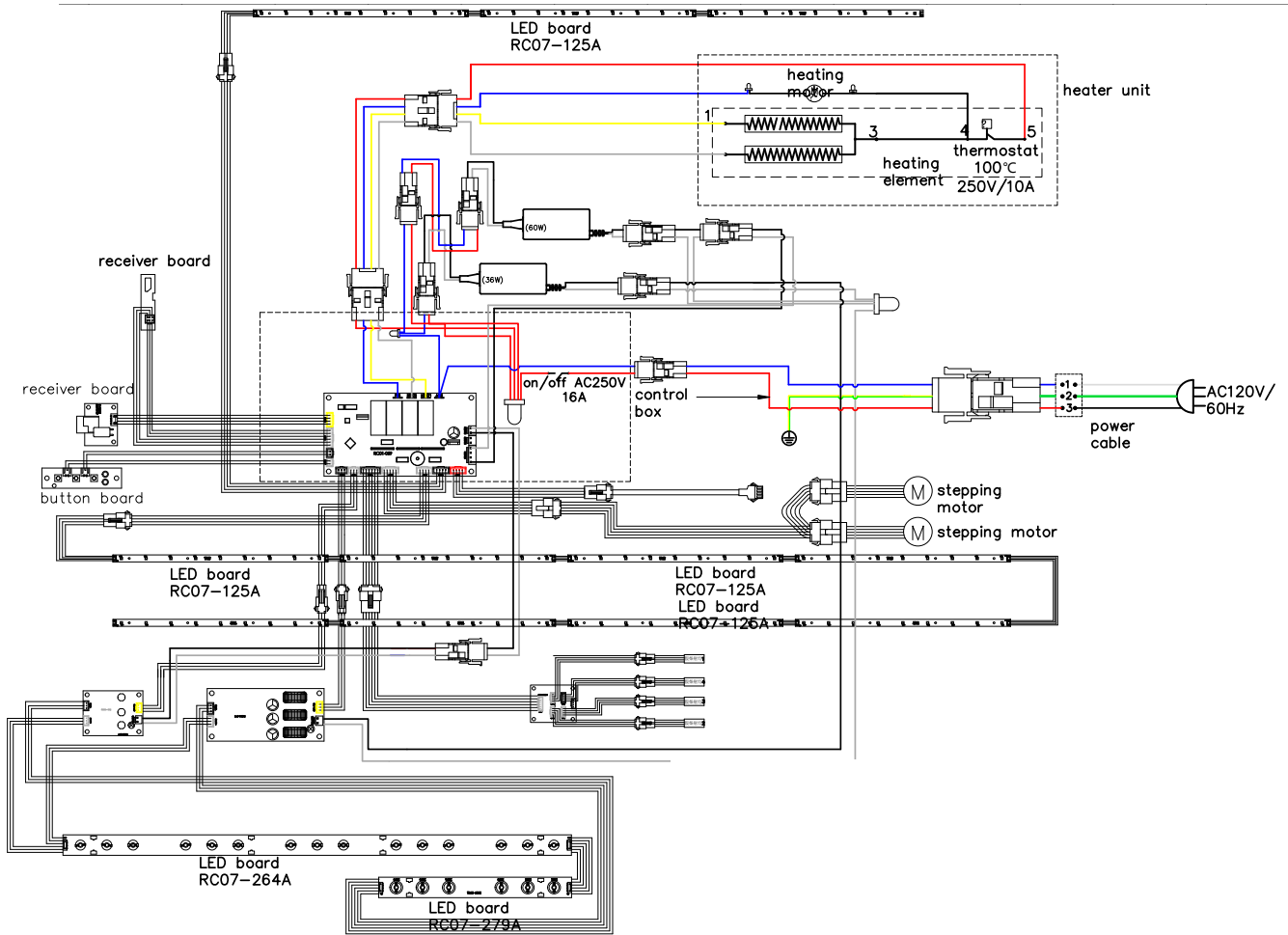


SPARE PARTS LIST

REF.	Description	ONYX EX110		ONYX EX150		ONYX EX190	
		CODE	QTY	CODE	QTY	CODE	QTY
1	Front Glass	EL0904	1	EL0905	1	EL0906	1
2	Fuel Bed Spindle	EL0907	1	EL0908	1	EL0909	1
3	Fuel Bed Spindle Motor Assembly	EL0910	1	EL0910	1	EL0910	1
4	Fuel Bed LED Board 1	EL0725	4	EL0913	N/A	EL0914	N/A
5	Fuel Bed LED Board 2		N/A	EL0726	6	EL0726	8
6	Flame Effect Screen	EL0915	1	EL0916	1	EL0917	1
7	LED Downlight Unit	EL0918	1	EL0919	1	EL0920	1
8	Flame Effect Spindle Motor Assembly	EL0921	1	EL0921	1	EL0921	1
9	Flame Effect Spindle	EL0924	1	EL0925	1	EL0926	1
10	Flame Effect LED Board 1	EL0927	1	EL0927	1	EL0927	2
11	Flame Effect LED Board 2		N/A	EL0928	1		N/A
12	Side Glass	EL0930	2	EL0930	2	EL0930	2
13	NA Plug	EL0782	1	EL0782	1	EL0782	1
14	Flame Effect LED Driver Board 1	EL0934	1	EL0934	1	EL0934	2
15	Flame Effect LED Driver Board 2	EL0931	1	EL0931	1	EL0931	N/A
16	LED Adapter Board	EL0932	1	EL0932	1	EL0932	1
19	Control Box	EL1115	1	EL1116	1	EL1116	1
20	Heater Unit	EL1070	1	EL1070	1	EL1070	1
21	Log Light Unit (left)	EL0939	1	EL0939	2	EL0939	2
22	Log Light Unit (right)	EL0940	2	EL0940	2	EL0940	3
23	Glass Embers	EL0941	5kg	EL0942	7kg	EL0943	9kg
24	Pumice Stone	EL0944	0.7L	EL0944	0.7L	EL0945	0.7L
25	Oak Log Set	EL0946	1	EL0947	1	EL0948	1
26	Handset	EL1075	1	EL1075	1	EL1075	1
N/S	Wiring Plate	EL1073	1	EL1073	1	EL1073	1
17	Power Unit 36W			EL1080	1		
18	Power Unit 60W	EL1081	1	EL1081	1	EL1081	2
N/S	Glass Clips/Screw (Set)	GZ16841	1	GZ16841	1	GZ16841	1

N/S = Not Shown

WIRING DIAGRAM



COLOUR CODES	
RD	RED
BU	BLUE
YE	YELLOW
WH	WHITE
BK	BLACK
BN	BROWN
GNYE	GREEN & YELLOW

NO	DESCRIPTION	NO	DESCRIPTION
1	Top Light LED Board	8	Button Board
2	Heater Unit	9	Receiver Board
3	Fan Motor	10	PCB
4	Heater	11	Flame Effect LED Board
5	Thermostat	12	Fuel Effect LED Board
6	Flame Effect Motor	13	Plug Connector Incoming AC Supply: 120V 60Hz required
7	Fuel Effect Motor		

INFORMATION REQUIREMENT FOR ELECTRIC LOCAL SPACE HEATERS

Model			Onyx EX110 Onyx EX150 Onyx EX190
Heat Output	Nominal Heat Output	P_{nom}	1.5kW
	Minimum Heat Output	P_{min}	0.75kW
	Maximum Continuous Heat Output	$P_{max, c}$	1.5kW

Auxiliary Electricity Consumption	At Nominal Heat Output	el_{max}	14.5W
	At Minimum Heat Output	el_{min}	14.0W
	In Standby Mode	el_{sb}	3.5W

Type of heat input, for electric storage local space heaters only

Manual heat charge control, with integrated thermostat	No
Manual heat charge control with room and/or outdoor temperature feedback	No
Electronic heat charge control with room and/or outdoor temperature feedback	No
Fan assisted heat output	No

TYPE OF HEAT OUTPUT/ROOM TEMPERATURE CONTROL

Single stage heat output and no room temperature control	No
Two or more manual stages, no room temperature control	No
With mechanic thermostat room temperature control	No
With electronic room temperature control	No
Electronic room temperature control plus day timer	No
Electronic room temperature control plus week timer	Yes

OTHER CONTROL OPTIONS

Room temperature control, with presence detection	No
Room temperature control, with open window detection	Yes
With distance control option	Yes
With adaptive start control	Yes
With working time limitation	No
With black bulb sensor	No

LIMITED WARRANTY

FPI Fireplace Products International Ltd. (for Canadian customers) and Fireplace Products U.S., Inc. (for U.S. customers) (collectively referred to herein as "FPI") extends this Limited Warranty to the original purchaser of this appliance provided the product remains in the original place of installation. The items covered by this limited warranty and the period of such coverage is set forth in the table below.

Some conditions apply (see below).

The policy is not transferable, amendable or negotiable under any circumstances.

ELECTRIC PRODUCTS	COMPONENT COVERAGE	LABOR COVERAGE
	1 YEAR	1 YEAR
Glass Panel	✓	✓
Display Screen Flame Effect Screen	✓	✓
Power Unit	✓	✓
Heater Unit	✓	✓
Fuel Bed	✓	✓
Flame Effect Spindle Flame Effect LED Board	✓	✓
Fuel Effect Spindle Fuel Effect LED Board	✓	✓
Spindle Motor	✓	✓
Power Cable / Plug Kit	✓	✓
Remote Handset	✓	✓
Media (Peddle, ember set, crushed glass, ice set logs)	✓	✓

Conditions:

Warranty protects against defect in manufacture or FPI factory assembled components only, unless herein specified otherwise.

Any part(s) found to be defective during the warranty period as outlined above will be repaired or replaced at FPI's option through an accredited distributor, dealer or pre-approved and assigned agent provided that the defective part is returned to the distributor, dealer or agent for inspection if requested by FPI. Alternatively, FPI may at its own discretion fully discharge all of its obligations under the warranty by refunding the verified purchase price of the product to the original purchaser. The purchase price must be confirmed by the original Bill of Sale.

IMPORTANT: A 15 amp, 60Hz 120 Volt circuit is required for installation of this Appliance. A dedicated circuit is not required, but is highly recommended to prevent circuit breaker from tripping or fuse failure. Failure to provide adequate power to this Appliance will void your warranty.

NOTE: If hard wiring to the appliance, this must be completed by a qualified electrician. Failure to do so will void your warranty.

The authorized selling dealer, or an alternative authorized FPI dealer if pre-approved by FPI, is responsible for all in-field diagnosis and service work related to all warranty claims. FPI is not responsible for results or costs of workmanship of unauthorized FPI dealers or agents in the negligence of their service work.

At all times FPI reserves the right to inspect reported complaints on location in the field claimed to be defective prior to processing or authorizing of any claim. Failure to allow this upon request will void the warranty.

All warranty claims must be submitted by the dealer servicing the claim, including a copy of the Bill of Sale (proof of purchase by you). All claims must be complete and provide full details as requested by FPI to receive consideration for evaluation. Incomplete claims may be rejected.

Replacement units are limited to one per warranty term.

Unit must be installed according to all manufacturers' instructions as per the manual. All Local and National required codes must be met.

The installer is responsible to ensure the unit is operating as designed at the time of installation.

The original purchaser is responsible for annual maintenance of the unit, as outlined in the owner's manual. As outlined below, the warranty may be voided due to problems caused by lack of maintenance.

Repair/replacement parts purchased by the consumer from FPI after the original coverage has expired on the unit will carry a 90 day warranty, valid with a receipt only. Any item shown to be defective will be repaired or replaced at our discretion. No labor coverage is included with these parts

Exclusions:

This Limited Warranty does not extend to paint, rust or corrosion of any kind due to a lack of maintenance, combustion air provision, corrosive chemicals (i.e. chlorine, salt, air, etc.).

Malfunction, damage or performance based issues as a result of environmental conditions, location, chemical damages, installation error, installation by an unqualified installer, operator error, abuse, misuse, lack of regular maintenance and upkeep, acts of God, weather related problems from hurricanes, tornados, earthquakes, floods, lightning strikes/ bolts or acts of terrorism or war, which result in malfunction of the appliance are not covered under the terms of this Limited Warranty.

FPI has no obligation to enhance or modify any unit once manufactured (i.e. as products evolve, field modifications or upgrades will not be performed on existing appliances).

This warranty does not cover dealer travel costs for diagnostic or service work. All labor rates paid to authorized dealers are subsidized, pre-determined rates. Dealers may charge homeowner for travel and additional time beyond their subsidy.

Any unit showing signs of neglect or misuse will not be covered under the terms of this warranty policy and may void this warranty. This includes units with rusted or corroded fireboxes which have not been reported as rusted or corroded within three (3) months of installation/purchase.

Units which show evidence of being operated while damaged, or with problems known to the purchaser and causing further damages will void this warranty.

Units where the serial no. has been altered, deleted, removed or made illegible will void this warranty.

Minor movement, expansion and contraction of the steel is normal and is not covered under the terms of this warranty.

FPI is not liable for the removal or replacement of facings or finishing in order to repair or replace any appliance in the field.

Freight damages for products or parts are not covered under the terms of the warranty.

Products made or provided by other manufacturers and used in conjunction with the FPI appliance without prior authorization from FPI may void this warranty.

Limitations of Liability:

The original purchaser's exclusive remedy under this warranty, and FPI's sole obligation under this warranty, express or implied, in contract or in tort, shall be limited to replacement, repair, or refund, as outlined above. IN NO EVENT WILL FPI BE LIABLE UNDER THIS WARRANTY FOR ANY INCIDENTAL OR CONSEQUENTIAL COMMERCIAL DAMAGES OR DAMAGES TO PROPERTY. TO THE EXTENT PERMITTED BY APPLICABLE LAW, FPI MAKES NO EXPRESS WARRANTIES OTHER THAN THE WARRANTY SPECIFIED HEREIN. THE DURATION OF ANY IMPLIED WARRANTY IS LIMITED TO DURATION OF THE EXPRESSED WARRANTY SPECIFIED ABOVE. IF IMPLIED WARRANTIES CANNOT BE DISCLAIMED, THEN SUCH WARRANTIES ARE LIMITED IN DURATION TO THE DURATION OF THIS WARRANTY.

Some U.S. states do not allow limitations on how long an implied warranty lasts, or allow exclusion or limitation of incidental or consequential damages, so the above limitations or exclusions may not apply to you.

Customers located outside the U.S. should consult their local, provincial or national legal codes for additional terms which may be applicable to this warranty.

How to Obtain Warranty Service:

Customers should contact the authorized selling dealer to obtain warranty service. In the event the authorized selling dealer is unable to provide warranty service, please contact FPI by mail at the address listed below. Please include a brief description of the problem and your address, email and telephone contact information. A representative will contact you to make arrangements for an inspection and/or warranty service.

Canadian Warrantor:

FPI Fireplace Products International Ltd.
6988 Venture St.
Delta, British Columbia Canada,
V4G 1H4

U.S. Warrantor:

Fireplace Products U.S., Inc.
PO Box 2189 PMB 125
Blaine,
WA United States, 98231

Or contact the Regency Customer Care Centre at 1-800-442-7432 (phone)/604-946-4349 (fax)

Product Registration and Customer Support:

Thank you for choosing a Regency Fireplace. Regency strives to be a world leader in the design, manufacture, and marketing of hearth products. To provide the best support for your product, we request that you complete a product registration form at <http://www.regency-fire.com/Customer-Care/Warranty-Registration.aspx> within ninety (90) days of purchase.

Installer: Please complete the following information

Dealer Name & Address: _____

Installer: _____

Phone #: _____

Date Installed: _____

Serial #: _____

