

**Panorama<sup>®</sup> P33-10 Zero Clearance  
Direct Vent Gas Fireplace**

**Owners &  
Installation Manual**



[www.regency-fire.com](http://www.regency-fire.com)

MODELS: P33-NG10 Natural Gas P33-LP10 Propane

**▲ WARNING**  
**FIRE OR EXPLOSION HAZARD**  
Failure to follow safety warnings exactly could result in serious injury, death, or property damage.

- Do not store or use gasoline or other flammable vapors and liquids in the vicinity of this or any other appliance.

**- WHAT TO DO IF YOU SMELL GAS**

- Do not try to light any appliance.
- Do not touch any electrical switch: do not use any phone in your building. Leave the building immediately.
- Immediately call your gas supplier from a neighbour's phone. Follow the gas supplier's instructions.
- If you cannot reach your gas supplier, call the fire department.

- Installation and service must be performed by a qualified installer, service agency or the gas supplier.

Tested by:


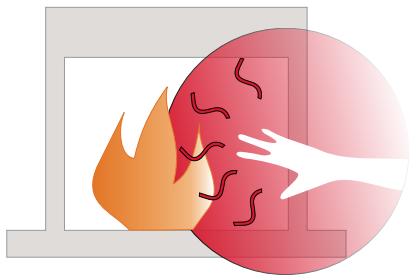


*Installer:* Please complete the details on the back cover and leave this manual with the homeowner.  
*Homeowner:* Please keep these instructions for future reference.

### To the New Owner:

Congratulations!

You are the owner of a state-of-the-art Gas Fireplace by FPI FIREPLACE PRODUCTS INTERNATIONAL LTD. The P33-10 has been designed to provide you with all the warmth and charm of a wood fireplace at the flick of a switch. The P33-10 has been approved by Intertek for both safety and efficiency. As it also bears our own mark, it promises to provide you with economy, comfort and security for many trouble free years to follow. Please take a moment now to acquaint yourself with these instructions and the many features of your Regency® Fireplace.

 <h1 style="margin: 0;">DANGER</h1>	
	<p><b>HOT GLASS WILL CAUSE BURNS</b></p> <p><b>DO NOT TOUCH GLASS UNTIL COOLED</b></p> <p><b>NEVER ALLOW CHILDREN TO TOUCH GLASS</b></p>
<p>A barrier designed to reduce the risk of burns from the hot viewing glass is provided with this appliance and must be installed for the protection of children and other at risk individuals.</p>	
<p><b>CAUTION:</b>  <b>HOT WHILE IN OPERATION. DO NOT TOUCH.</b>  <b>SEVERE BURNS MAY RESULT. KEEP CHILDREN, CLOTHING, FURNITURE,          GASOLINE, AND ANY OTHER LIQUIDS WITH FLAMMABLE VAPOURS AWAY.</b></p> <p><b>KEEP BURNER AND CONTROL COMPARTMENT CLEAN.</b>  <b>SEE INSTALLATION AND OPERATING INSTRUCTIONS ACCOMPANYING          APPLIANCE.</b></p>	
<small>920-408</small>	

## INFORMATION FOR MOBILE/MANUFACTURED HOMES AFTER FIRST SALE

This Regency® product has been tested and listed by Warnock Hersey/Intertek as a Direct Vent Wall Furnace to the following standards: VENTED GAS FIREPLACE HEATERS ANSI Z21.88 • CSA 2.33 and GAS-FIRED APPLIANCES FOR USE AT HIGH ALTITUDES CSA 2.17.

This Direct Vent System Appliance must be installed in accordance with the manufacturer's installation instructions and the Manufactured Home Construction and Safety Standard, Title 24 CFR, Part 3280, or the current Standard of Fire Safety Criteria for Manufactured Home Installations, Sites, and Communities ANSI/NFPA 501A, and with CAN/CSA Z240-MH Mobile Home Standard in Canada.

This appliance installation must comply with the manufacturer's installation instructions and local codes, if any. In the absence of local codes follow the current National Fuel Gas Code, ANSI Z223.1 and the current National Electrical Code ANSI/NFPA 70 in the U.S.A., and the current CSA B149.1 Gas Installation Code and the current Canadian Electrical Code CSA C22.1 in Canada.

The appliance, when installed, must be electrically grounded in accordance with local codes or, in the absence of local codes, with the National Electrical Code, ANSI/NFPA 70, or the Canadian Electrical Code, CSA C22.1.

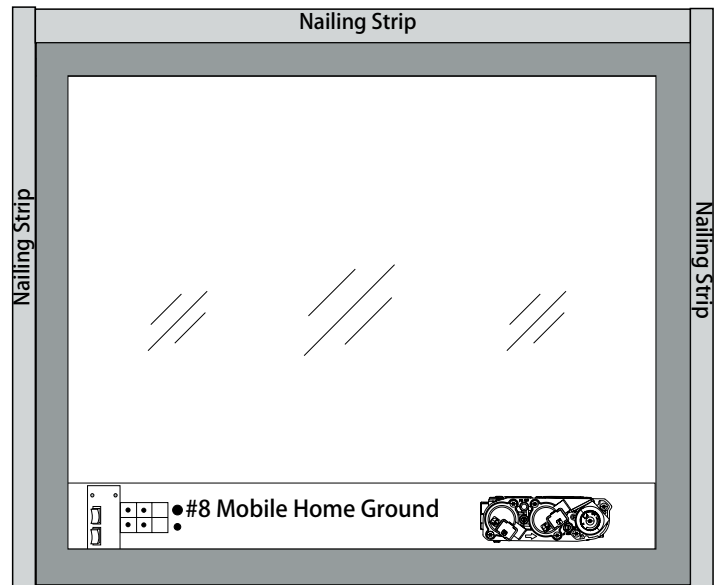
Ensure that structural members are not cut or weakened during installation.

**This Regency® Mobile/Manufactured Home Listed appliance comes factory equipped with a means to secure the unit.**

**This Regency® Mobile/Manufactured Home listed appliance comes equipped with a dedicated #8 ground lug to which an 18 gauge copper wire from the steel chassis ground must be attached.**

**This appliance may be installed in an aftermarket permanently located, manufactured (mobile) home, where not prohibited by local codes.**

**This appliance is only use with the type of gas indicated on the rating plate. This appliance is not convertible for use with other gases, unless a certified kit is used.**



**NATIONAL FIREPLACE INSTITUTE**  
  
**CERTIFIED**  
[www.nficertified.org](http://www.nficertified.org)

We recommend that our products be installed and serviced by professionals who are certified in the U.S. by the National Fireplace Institute® (NFI) or in Canada by Wood Energy Technical Training (WETT).



**Wood Energy Technical Training**  
[www.wettinc.ca](http://www.wettinc.ca)



## 4 | table of contents

Safety Label.....	5
-------------------	---

### Dimensions

Unit Dimensions with Vignette and Vignette Finishing Trim .....	7
Unit Dimensions with Safety Screen (#439-929) and Optional Louvers.....	7

### Installation

Gas Installation Checklist.....	8
Important Message .....	10
Before You Start.....	10
General Safety Information .....	10
Installation Checklist.....	11
Locating your Fireplace.....	11
Duct System Option.....	11
Manufactured Mobile Home Additional Requirements	11
Lighting Procedure .....	12
Shutdown Procedure .....	12
Proflame I Remote Control Operating Instructions ....	13
Proflame I Remote Receiver Battery Replacement.....	17
Clearances with Vignette Faceplate.....	18
Mantel Leg Clearances with Flush Glass .....	18
Combustible Mantels .....	19
Framing and Finishing .....	20
Wall mount On / Off Switch and Remote Receiver Installation .....	22
Unit Assembly Prior to Installation .....	23
Venting Introduction.....	23
Exterior Vent Termination Locations.....	24
Regency® Direct Vent Flex System .....	25
Installation Procedures .....	26
Rigid Pipe Venting Systems .....	27
4" x 6-5/8" Rigid Pipe Cross Reference Chart.....	28
Rigid Pipe Venting Arrangements .....	30
Vertical Termination with Co-Linear Flex System in a Masonry Chimney.....	36
Venting Arrangements - Vertical Terminations .....	37
Unit installation with Horizontal Termination.....	38
Unit installation with Vertical Termination.....	39
Gas Line Installation .....	39
Vertical Termination - 4"x 6-7/8" Venting.....	40
Flex Vent Components .....	41
Pilot Adjustment.....	42
High Elevation.....	42

Gas Pipe Pressure Testing .....	42
Conversion from NG to LP.....	43
Optional Enamel Panels .....	44
Optional Brick Panels.....	45
Log Set Installation .....	45
Standard Flush Door.....	46
Optional Birch Log Set Installation.....	47
Wiring Diagrams .....	49
Optional Wall Thermostat Installation .....	50
Installing the Optional Fan .....	51
Vignette Faceplate and Safety Screen Install .....	52
Optional Vignette Finishing Trim .....	53
Optional Vignette Inlay Installation .....	54
Optional Finishing Trim .....	55
Safety Screen Installation .....	56
Optional Flush Louvers .....	56
Copy of the Lighting Plate Instructions.....	57

### Operating Instructions

Operating Instructions .....	58
Lighting Procedure .....	58
Shutdown Procedure .....	58
First Fire.....	58
Aeration Adjustment.....	59
Normal Operating Sounds of Gas Appliances .....	59

### Maintenance

Maintenance Instructions .....	59
General Vent Maintenance .....	60
Log Replacement .....	60
Thermopile/Thermocouple .....	60
Glass Gasket.....	60
Door Glass.....	60
Removing Valve .....	61
Installing Valve.....	61
Gas Appliance Maintenance.....	62

### Parts

Main Assembly.....	63
Burner & Log Assembly.....	65
Vignette Faceplate and Finishing Trim .....	66
Safety Screen and Louvers.....	67

### Warranty

Warranty .....	68
----------------	----




**SAFETY LABEL**

This is a copy of the label that accompanies each P33-10 Zero Clearance Direct Vent Gas Fireplace. We have printed a copy of the contents here for your review. The safety label is located on the front inside base of the unit, visible when the bottom louver is open.


**NOTE:** Regency® units are constantly being improved. Check the label on the unit and if there is a difference, the label on the unit is the correct one.

Duplicate S/N

421



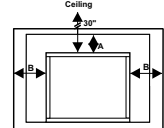
**Listed:** VENTED GAS FIREPLACE HEATER/FOYER AU GAZ À ÉVACUATION  
**Certified to/Certifié pour :** CSA 2.17-2017  
 CSA/ANSI Z21.88-2019 / CSA 2.33-2019  
**MAY BE INSTALLED IN MANUFACTURED (MOBILE) HOMES AFTER FIRST SALE.**  
 Refer to Intertek's Directory of Building Products for detailed information.  
 Pour plus de détails, se reporter au Répertoire des produits de construction de Intertek.  
 C# 4001172



**DO NOT REMOVE THIS LABEL / NE PAS ENLEVER CETTE ÉTIQUETTE**

Serial No./ No de série

421

○ Model/Modèle: P33-NG10	<p><b>NATURAL GAS: Model P33-NG10</b></p> <table border="0"> <tr><td>Minimum supply pressure</td><td>5" WC</td><td>(1.25 kPa)</td></tr> <tr><td>Manifold pressure high</td><td>3.5" WC</td><td>(0.87 kPa)</td></tr> <tr><td>Manifold pressure low</td><td>1.6" WC</td><td>(0.39 kPa)</td></tr> <tr><td>Orifice size</td><td># 44</td><td>DMS</td></tr> <tr><td>Minimum input</td><td>14,000 Btu/h</td><td>(4.1 kW)</td></tr> <tr><td>Maximum input</td><td>20,000 Btu/h</td><td>(5.86 kW)</td></tr> <tr><td>Altitude</td><td>0-4500 ft/pi</td><td>(0-1372 m)</td></tr> </table>	Minimum supply pressure	5" WC	(1.25 kPa)	Manifold pressure high	3.5" WC	(0.87 kPa)	Manifold pressure low	1.6" WC	(0.39 kPa)	Orifice size	# 44	DMS	Minimum input	14,000 Btu/h	(4.1 kW)	Maximum input	20,000 Btu/h	(5.86 kW)	Altitude	0-4500 ft/pi	(0-1372 m)	<p><b>APPAREIL FONCTIONNANT AU GAZ NATUREL</b>  <b>Modèle P33-NG10</b></p> <p>Pression d'alimentation minimale                  Pression manifold élevée                  Pression manifold basse                  Taille de l'orifice                  Débit calorifique minimal                  Débit calorifique maximal                  Altitude</p>	<p><b>Minimum Clearances to Combustibles</b>                  Dégagements minimaux par rapport aux matériaux combustibles</p> <p><b>0" Clearance to combustibles from:</b>                  Top, sides, bottom and rear of unit</p> <p><b>Mantel Clearances from Top:</b>                  (A) Min. 10" (254mm)</p> <p><b>Side Wall Clearance from Side Facing</b>                  B) 7.5" (191mm)</p> <p><b>Alcove Clearances</b>                  Max. Depth 36" (914mm)                  Min. Width 48" (1219mm)                  Min. Height 59" (1499mm)</p> <p><b>(See Instruction Manual for Detailed Instructions)</b></p>  <p>Minimum clearance of Vent Terminal to Outside Corner &amp; Inside Corner: 6"/150mm</p> <p>Horizontal Terminations require the use of the <b>AstroCap™</b> (Part # 946-523)</p>
Minimum supply pressure	5" WC	(1.25 kPa)																						
Manifold pressure high	3.5" WC	(0.87 kPa)																						
Manifold pressure low	1.6" WC	(0.39 kPa)																						
Orifice size	# 44	DMS																						
Minimum input	14,000 Btu/h	(4.1 kW)																						
Maximum input	20,000 Btu/h	(5.86 kW)																						
Altitude	0-4500 ft/pi	(0-1372 m)																						
○ Model/Modèle: P33-LP10	<p><b>PROPANE: Model P33-LP10</b></p> <table border="0"> <tr><td>Minimum supply pressure</td><td>11" WC</td><td>(2.74 kPa)</td></tr> <tr><td>Manifold pressure high</td><td>10" WC</td><td>(2.49 kPa)</td></tr> <tr><td>Manifold pressure low</td><td>6.4" WC</td><td>(1.59 kPa)</td></tr> <tr><td>Orifice size</td><td># 55</td><td>DMS</td></tr> <tr><td>Minimum input</td><td>15,500 Btu/h</td><td>(4.54 kW)</td></tr> <tr><td>Maximum input</td><td>19,500 Btu/h</td><td>(5.71 kW)</td></tr> <tr><td>Altitude</td><td>0-4500 ft/pi</td><td>(0-1372 m)</td></tr> </table>	Minimum supply pressure	11" WC	(2.74 kPa)	Manifold pressure high	10" WC	(2.49 kPa)	Manifold pressure low	6.4" WC	(1.59 kPa)	Orifice size	# 55	DMS	Minimum input	15,500 Btu/h	(4.54 kW)	Maximum input	19,500 Btu/h	(5.71 kW)	Altitude	0-4500 ft/pi	(0-1372 m)	<p><b>APPAREIL FONCTIONNANT AU PROPANE</b>  <b>Modèle P33-LP10</b></p> <p>Pression d'alimentation minimale                  Pression manifold élevée                  Pression manifold basse                  Taille de l'orifice                  Débit calorifique minimal                  Débit calorifique maximal                  Altitude</p>	
Minimum supply pressure	11" WC	(2.74 kPa)																						
Manifold pressure high	10" WC	(2.49 kPa)																						
Manifold pressure low	6.4" WC	(1.59 kPa)																						
Orifice size	# 55	DMS																						
Minimum input	15,500 Btu/h	(4.54 kW)																						
Maximum input	19,500 Btu/h	(5.71 kW)																						
Altitude	0-4500 ft/pi	(0-1372 m)																						

**VENTING:** Use listed Simpson Dura-Vent GS System or Regency Direct Vent System. Only for direct discharge without duct connection. This appliance must be installed in accordance with the manufacturer's installation instructions and with local codes, if any; if not, follow the current ANSI Z223.1 in the USA or the current CAN 1-B149 in Canada. For Manufactured Home Installation: This Direct Vent System Appliance must be installed in accordance with the manufacturer's installation instructions and Manufactured Home Construction and Safety Standard Title 24 CFR, Part 3280, or the current Standard for Fire Safety Criteria for Manufactured Home Installations, Sites, and Communities ANSI/NFPA 501A, and with CAN/CSA Z240 MH Mobile Home Standard in Canada.  
**VENTILATION :** Utiliser le système Dura-Vent GS de Simpson ou le système Direct Vent de Regency. Seulement pour décharge directe sans raccordement de conduit. Cet appareil doit être installé selon les consignes d'installation du fabricant et les codes et règlements locaux, s'il y a lieu. En l'absence de tels codes, suivre la norme ANSI Z223.1 aux États-Unis ou CAN 1-B149 au Canada en vigueur. Pour une installation dans une maison préfabriquée - cet appareil à système d'évacuation directe doit être installé selon les consignes d'installation du fabricant, selon le Manufactured Home Construction and Safety Standard Title 24 CFR, Part 3280, ou le Standard for Fire Safety Criteria for Manufactured Home Installations, Sites, and Communities ANSI/NFPA 501A, et la norme sur les maisons mobiles CAN/CSA Z240 MH au Canada.  
 Fan/Ventilateur (Part # 438-917) Option: Heat/Wave Kit # 946-556  
 For Use Only with Barrier (Part # 439-005) with Vignette. Follow installation instructions.  
 À utiliser uniquement avec le pare-feu (n° 439-005) avec façade Vignette. Suivre les consignes d'installation.  
 For Use Only with Barrier (Part # 439-929) Installed with Louvers. Follow installation instructions.  
 À utiliser uniquement avec le pare-feu (n° 439-929) installé avec les grilles d'aération. Suivre les consignes d'installation.  
 This vented gas fireplace heater is not for use with air filters. Ne pas utiliser de filtre à air avec ce foyer au gaz à évacuation.

**VENTED GAS FIREPLACE HEATER - NOT FOR USE WITH SOLID FUELS. CATEGORY I.**  
**FOYER AU GAZ À ÉVACUATION - NE PAS UTILISER AVEC UN COMBUSTIBLESOLIDE. CATÉGORIE I.**

919-393b

**DOOR SEAL:** Please check that the door is properly sealed

**FPI Fireplace Products International Ltd.**  
 Delta, BC, Canada  
 Made in Canada/  
 Fabriqué au Canada

**ELECTRICAL SUPPLY/**  
**ALIMENTATION ÉLECTRIQUE :**  
 115V\_60HZ less than/moins de 2 AMP

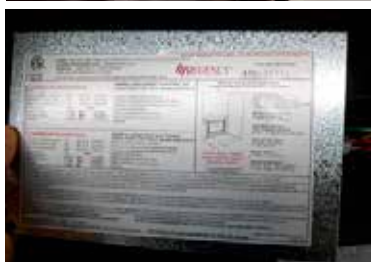
**DECAL LOCATION**

For the State of Massachusetts, installation and repair must be done by a plumber or gas fitter licensed in the Commonwealth of Massachusetts.

For the State of Massachusetts, flexible connectors shall not exceed 36 inches in length.

For the State of Massachusetts, the appliances individual manual shut-off must be a t-handle type valve.

The State of Massachusetts requires the installation of a carbon monoxide alarm in accordance with NFPA 720 and a CO alarm with battery back up in the same room where the gas appliance is installed.



Remove the faceplate from unit (refer to manual) the rating plate will be attached to a black chain as shown below.

**DO NOT REMOVE DECAL FROM UNIT.**

**MA Code - CO Detector  
(for the State of Massachusetts only)**

5.08: Modifications to NFPA-54, Chapter 10

(2) Revise 10.8.3 by adding the following additional requirements:

(a) For all side wall horizontally vented gas fueled equipment installed in every dwelling, building or structure used in whole or in part for residential purposes, including those owned or operated by the Commonwealth and where the side wall exhaust vent termination is less than seven (7) feet above finished grade in the area of the venting, including but not limited to decks and porches, the following requirements shall be satisfied:

1. **INSTALLATION OF CARBON MONOXIDE DETECTORS.** At the time of installation of the side wall horizontal vented gas fueled equipment, the installing plumber or gasfitter shall observe that a hard wired carbon monoxide detector with an alarm and battery back-up is installed on the floor level where the gas equipment is to be installed. In addition, the installing plumber or gasfitter shall observe that a battery operated or hard wired carbon monoxide detector with an alarm is installed on each additional level of the dwelling, building or structure served by the side wall horizontal vented gas fueled equipment. It shall be the responsibility of the property owner to secure the services of qualified licensed professionals for the installation of hard wired carbon monoxide detectors

a. In the event that the side wall horizontally vented gas fueled equipment is installed in a crawl space or an attic, the hard wired carbon monoxide detector with alarm and battery back-up may be installed on the next adjacent floor level.

b. In the event that the requirements of this subdivision can not be met at the time of completion of installation, the owner shall have a period of thirty (30) days to comply with the above requirements; provided, however, that during said thirty (30) day period, a battery operated carbon monoxide detector with an alarm shall be installed.

2. **APPROVED CARBON MONOXIDE DETECTORS.** Each carbon monoxide detector as required in accordance with the above provisions shall comply with NFPA 720 and be ANSI/UL 2034 listed and IAS certified.

3. **SIGNAGE.** A metal or plastic identification plate shall be permanently mounted to the exterior of the building at a minimum height of eight (8) feet above grade directly in line with the exhaust vent terminal for the horizontally vented gas fueled heating appliance or equipment. The sign shall read, in print size no less than one-half (1/2) inch in size, **"GAS VENT DIRECTLY BELOW. KEEP CLEAR OF ALL OBSTRUCTIONS"**.

4. **INSPECTION.** The state or local gas inspector of the side wall horizontally vented gas fueled equipment shall not approve the installation unless, upon inspection, the inspector observes carbon monoxide detectors and signage installed in accordance with the provisions of 248 CMR 5.08(2)(a)1 through 4.

(b) **EXEMPTIONS:** The following equipment is exempt from 248 CMR 5.08(2)(a)1 through 4:

1. The equipment listed in Chapter 10 entitled "Equipment Not Required To Be Vented" in the most current edition of NFPA 54 as adopted by the Board; and

2. Product Approved side wall horizontally vented gas fueled equipment installed in a room or structure separate from the dwelling, building or structure used in whole or in part for residential purposes.

(c) **MANUFACTURER REQUIREMENTS - GAS EQUIPMENT VENTING SYSTEM PROVIDED.** When the manufacturer of Product Approved side wall horizontally vented gas equipment provides a venting system design or venting system components with the equipment, the instructions provided by the manufacturer for installation of the equipment and the venting system shall include:

1. Detailed instructions for the installation of the venting system design or the venting system components; and

2. A complete parts list for the venting system design or venting system.

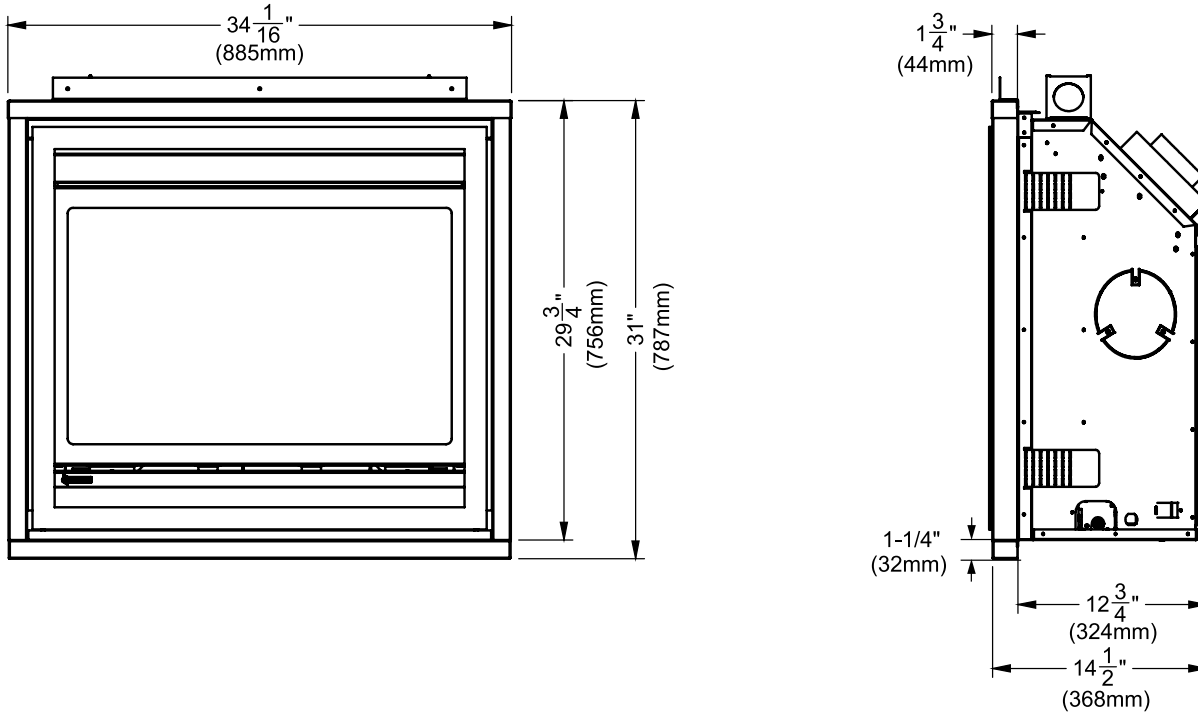
(d) **MANUFACTURER REQUIREMENTS - GAS EQUIPMENT VENTING SYSTEM NOT PROVIDED.** When the manufacturer of a Product Approved side wall horizontally vented gas fueled equipment does not provide the parts for venting the flue gases, but identifies "special venting systems", the following requirements shall be satisfied by the manufacturer:

1. The referenced "special venting system" instructions shall be included with the appliance or equipment installation instructions; and

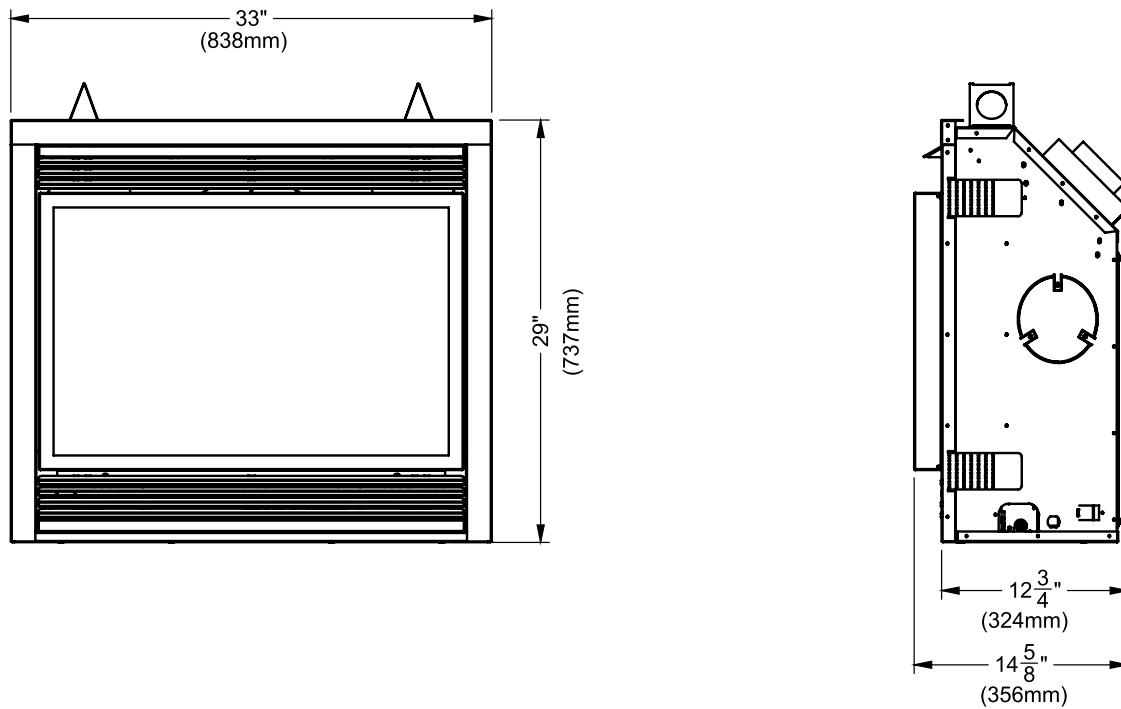
2. The "special venting systems" shall be Product Approved by the Board, and the instructions for that system shall include a parts list and detailed installation instructions.

(e) A copy of all installation instructions for all Product Approved side wall horizontally vented gas fueled equipment, all venting instructions, all parts lists for venting instructions, and/or all venting design instructions shall remain with the appliance or equipment at the completion of the installation.

**UNIT DIMENSIONS WITH VIGNETTE AND VIGNETTE FINISHING TRIM**



**UNIT DIMENSIONS WITH SAFETY SCREEN (#439-929) AND OPTIONAL LOUVERS**



**Note: Gas connection is from the right hand side of the appliance & electrical connection on left hand side of the appliance. A metal receptacle box is supplied/installed with the appliance to make all 120 volt electrical connections.**

**GAS INSTALLATION CHECKLIST**

This general checklist does not contain all pertinent installation details or specifics and does not supersede the guidelines in this manual. Your Regency dealer/installer should use it in conjunction with manual instructions. Please follow all local codes and jurisdictions in authority.

<b>Customer:</b> _____	<b>Date Installed:</b> _____
<b>Install Address:</b> _____	<b>Location of Fireplace:</b> _____
<b>Serial No:</b> _____	<b>Installer:</b> _____
<b>Model No:</b> _____	

<b>Site Requirements</b>	<b>YES</b>	<b>NO</b>
If applicable, are the insulation, vapour barrier, and drywall present if installed on an outside wall or chase?		
Does the area have a solid continuous base to support the unit?		
Will the area accommodate the size of the appliance and all clearances?		
Are the gas and electrical roughed into the area where the unit is being installed?		
In City & Grandview series cool wall applications, is the chase enclosure sealed to prevent heat from escaping? All hot air from the unit must exit via the mandatory ventilation openings.		
In City & Grandview applications, Is the chase enclosure vented with the mandatory heat ventilation openings? See manual for details.		
If applicable, is the masonry/factory built fireplace in its original condition with no modifications?		
If applicable, have the hearth requirements been met?		
<b>Unit Setup</b>	<b>YES</b>	<b>NO</b>
If applicable, are the standoffs and top nailing flange extensions installed and at the correct depth to accommodate finishing material? See manual for details.		
If applicable, is the fireplace level and secured, meeting framing clearances? See manual for details.		
If applicable, is the unit converted to top or rear vent per manual instructions, and the insulation discarded?		
<b>Venting</b>	<b>YES</b>	<b>NO</b>
Are the venting components approved for the unit installed?		
Does the venting configuration comply with venting diagrams?		
Is venting installed and secured, and are clearances for the vent pipe and termination cap maintained?		
If applicable, was a 1/4" rise maintained for every foot of horizontal run?		
Was the termination installed and sealed?		
Is the direct vent termination at the highest point in the vent assembly?		
If applicable, are both chimney liners continuous from flue collars to termination?		
<b>Electrical and Wiring</b>	<b>YES</b>	<b>NO</b>
Is the appliance connected to the household's 110/120v per local codes? Check local codes for receptacle placement.		
Were the connections in the fireplace tested with a circuit tester?		
Is the appliance properly grounded?		
If applicable, is the supplied electrical/gang box affixed to the wall to facilitate the mounting of the receiver/battery box ?		
<b>Gas</b>	<b>YES</b>	<b>NO</b>
Does the supply pressure meet the requirements shown on the rating plate?		
Was a conversion performed?		
Was a leak check performed and manifold pressures verified?		
Is the shut-off valve installed and easily accessible to the customer?		

<b>Finishing</b>	<b>YES</b>	<b>NO</b>
If applicable, is only noncombustible material installed in the noncombustible areas?		
Do clearances meet installation and manual requirements?		
Do the mantels and/or projections comply with the installation manual?		
If applicable, was the solid fuel fireplace warning plate installed?		
<b>Appliance Media Setup</b>	<b>YES</b>	<b>NO</b>
Do commands from the remote or wall switch light the pilot and main burner?		
Are the burner media/log set, glass door, and screen installed per instructions in the manual?		
Was the air shutter on the proper setting after running the unit for 20 minutes?		
If applicable, were the surround and trims installed according to the manual?		
Was the operation of the fan, lights (if installed), and flame modulation checked?		
<b>Customer Tutorial and Presentation</b>	<b>YES</b>	<b>NO</b>
Is the customer confident operating the new gas appliance and aware of all the features on the remote?		
Confirm that the rating and lighting plates are attached to the appliance. Do not remove.		
Was the customer informed of the location of the rating and lighting plates?		
Was accessing unit controls in a power outage explained to the customer?		
Are the model and serial numbers and the date of installation of the unit written in the manual and on the checklist?		
Were the warranty and unit registration reviewed with the customer?		
<b>Comments:</b>		

**IMPORTANT MESSAGE  
SAVE THESE  
INSTRUCTIONS**

The P33-NG10 or P33-LP10 Direct Vent Fireplace must be installed in accordance with these instructions. Carefully read all the instructions in this manual first. Consult the "authority having jurisdiction" to determine the need for a permit prior to starting the installation. It is the responsibility of the installer to ensure this fireplace is installed in compliance with manufacturer's instructions and all applicable codes.

**BEFORE YOU START**

Safe installation and operation of this appliance requires common sense, however, we are required by the Canadian Safety Standards and ANSI Standards to make you aware of the following:

**INSTALLATION AND REPAIR SHOULD BE DONE BY AN AUTHORIZED SERVICE PERSON. THE APPLIANCE SHOULD BE INSPECTED BEFORE USE AND AT LEAST ANNUALLY BY A PROFESSIONAL SERVICE PERSON. MORE FREQUENT CLEANING MAY BE REQUIRED DUE TO EXCESSIVE LINT FROM CARPETING, BEDDING MATERIAL, ETC. IT IS IMPERATIVE THAT CONTROL COMPARTMENTS, BURNERS AND CIRCULATING AIR PASSAGEWAYS OF THE APPLIANCE BE KEPT CLEAN.**

**DUE TO HIGH TEMPERATURES, THE APPLIANCE SHOULD BE LOCATED OUT OF TRAFFIC AND AWAY FROM FURNITURE AND DRAPERIES.**

**WARNING: FAILURE TO INSTALL THIS APPLIANCE CORRECTLY WILL VOID YOUR WARRANTY AND MAY CAUSE A SERIOUS HOUSE FIRE.**

**CHILDREN AND ADULTS SHOULD BE ALERTED TO THE HAZARDS OF HIGH SURFACE TEMPERATURES, ESPECIALLY THE FIREPLACE GLASS, AND SHOULD STAY AWAY TO AVOID BURNS OR CLOTHING IGNITION.**



**YOUNG CHILDREN SHOULD BE CAREFULLY SUPERVISED WHEN THEY ARE IN THE SAME AREA AS THE APPLIANCE. TODDLERS, YOUNG CHILDREN AND OTHERS MAY BE SUSCEPTIBLE TO ACCIDENTAL CONTACT BURNS. A PHYSICAL BARRIERS IS RECOMMENDED IF THERE ARE AT RISK INDIVIDUAL IN THE HOUSE. TO RESTRICT ACCESS TO A FIREPLACE OR STOVE, INSTALL AN ADJUSTABLE SAFETY GATE TO KEEP TODDLERS, YOUNG CHILDREN AND OTHER AT RISK INDIVIDUALS OUT OF THE ROOM AND AWAY FROM HOT SURFACES.**

**CLOTHING OR OTHER FLAMMABLE MATERIAL SHOULD NOT BE PLACED ON OR NEAR THE APPLIANCE.**

**A BARRIER DESIGNED TO REDUCE THE RISK OF BURNS FROM THE HOT VIEWING GLASS IS PROVIDED WITH THIS APPLIANCE AND SHALL BE INSTALLED FOR THE PROTECTION OF CHILDREN AND OTHER AT-RISK INDIVIDUALS.**

**ANY SAFETY SCREEN, GUARD, OR BARRIER REMOVED FOR SERVICING THE APPLIANCE, MUST BE REPLACED PRIOR TO OPERATING THE APPLIANCE.**

**IF THE BARRIER BECOMES DAMAGED, THE BARRIER SHALL BE REPLACED WITH THE MANUFACTURER'S BARRIER FOR THIS APPLIANCE.**

**GENERAL SAFETY INFORMATION**

- 1) The appliance installation must conform with local codes or, in the absence of local codes, with the current Canadian or National Gas Codes, CSA B149.1 or ANSI Z223.1 Installation Codes.
- 2) The appliance when installed, must be electrically grounded in accordance with local codes, or in the absence of local codes with the current National Electrical Code, ANSI/NFPA 70 or CSA C22.1 Canadian Electrical Code.

- 3) See general construction and assembly instructions. The appliance and vent should be enclosed.
- 4) This appliance must be connected to the specified vent and termination cap to the outside of the building envelope. Never vent to another room or inside a building. Make sure that the vent is fitted as per Venting instructions.
- 5) Inspect the venting system annually for blockage and any signs of deterioration.
- 6) Venting terminals shall not be recessed into a wall or siding.
- 7) Any safety glass removed for servicing must be replaced prior to operating the appliance.
- 8) To prevent injury, do not allow anyone who is unfamiliar with the operation to use the fireplace.
- 9) Wear gloves and safety glasses for protection while doing required maintenance.
- 10) Be aware of electrical wiring locations in walls and ceilings when cutting holes for termination.
- 11) Under no circumstances should this appliance be modified. Parts that have to be removed for servicing should be replaced prior to operating this appliance.
- 12) Installation and any repairs to this appliance should be done by a qualified service person. A professional service person should be called to inspect this appliance annually. Make it a practice to have all of your gas appliances checked annually.
- 13) Do not slam shut or strike the glass door.
- 14) Under no circumstances should any solid fuels (wood, paper, cardboard, coal, etc.) be used in this appliance.
- 15) The appliance area must be kept clear and free of combustible materials, (gases and other flammable vapours and liquids).

 **WARNING: Cancer and Reproductive Harm**  
www.P65Warnings.ca.gov

919-874



## INSTALLATION CHECKLIST

- 1) Locate appliance
  - a) Room location  
(Refer to "Locating Your Fireplace" Section)
  - b) Clearances to Combustibles  
(Refer to "Clearances" Section)
  - c) Mantle Clearances  
(Refer to "Combustible Mantels" Section)
  - d) Framing & Finishing Requirements  
(Refer to "Framing & Finishing" Section)
  - e) Venting Requirements  
(Refer to "Venting" Sections)
- 2) Assemble Top Facing Support and Side Nailing Strips (Refer to "Unit Assembly Prior to Installation" Section). NOTE: Must be done before installing unit into fireplace.
- 3) Install vent (Refer to "Venting" Sections).
- 4) Wire 120 volt AC power to the supplied receptacle box located on lower left hand side of appliance. The Duplex receptacle and receptacle cover are also included and will be located in the manual package. Note : This heater requires 120 volt AC supply for operation of the optional blower.
- 5) Install junction box supplied with appliance. Install remote receiver inside of junction box. Hook receiver to wire marked receiver. Install 4 AA batteries inside of receiver. This will enable operation of the burner.
- 6) Make gas connection. Test the pilot. Must be as per diagram.  
(Refer to "Gas Line Installation" and "Pilot Adjustment" Section).  
Convert to Propane if desired.  
(Refer to "Conversion Kit from NG to LP" Section).  
Note: If optional fan is not purchased, Batteries are required in both remote receiver (4 x AA Batteries) & remote hand held ( 3 x AAA batteries) in order to operate appliance using the remote control.
- 7) Install standard and optional features. Refer to the following sections:
  - a. Code remote supplied with unit
  - b. Optional Brick Panels/Enamel Panels
  - c. Log Set Installation
  - d. Standard Flush Door
  - e. Vignette Faceplate/Vignette Finishing Trim
  - f. Louvers & Safety Screen
  - g. Optional Wall Thermostat
  - h. Optional Fan Installation

### 8) Final check.

Before leaving this unit with the customer, the installer must ensure that the appliance is firing correctly and **operation fully explained to customer.**

### This includes:

- 1) Clocking the appliance to ensure the correct firing rate (rate noted on label) after burning appliance for 15 minutes.
- 2) If required, adjusting the primary air to ensure that the flame does not carbon. First allow the unit to burn for 15-20 min. to stabilize.

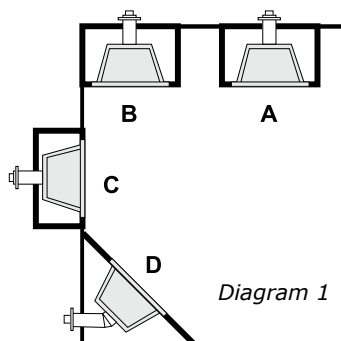
**CAUTION: Any alteration to the product that causes sooting or carboning that results in damage is not the responsibility of the manufacturer.**

## LOCATING YOUR FIREPLACE

- 1) When selecting a location for your fireplace, ensure that the clearances outlined on this page are met.
- 2) Provide adequate clearances for servicing.
- 3) The appliance must be installed on a flat, solid, continuous surface (e.g. wood, metal, concrete). This may be the floor, or raised up on a platform to enhance its visual impact. If the appliance is going to be installed on carpeting, combustible linoleum tile or other combustible material other than wood flooring, the appliance must be installed on a metal or wood panel extending the full width and depth of the appliance.
- 4) The P33-10 can be installed in a recessed position or framed out into the room as in A, B, C, D. See Diagram 1 below.
- 5) This appliance is Listed for bedroom installations when used with a Listed Millivolt Thermostat. Some areas may have further requirements, check local codes before installation.
- 6) The P33-10 Direct Vent Gas Fireplace is approved for alcove installations, which meet the clearances listed on the "Clearances" Section.
- 7) We recommend that you plan your installation on paper using exact measurements for clearances and floor protection before actually installing this appliance. Have a qualified inspector, dealer, or installer review your plans before installation.

Note: For vent terminations see "Exterior Vent Termination Locations" Section.

- A) Flat on Wall
- B) Flat on Wall Corner
- C) Recessed into Wall/Alcove
- D) Corner



## DUCT SYSTEM OPTION Kit #946-556

The **HeatWave** Air Duct Kit increases the effectiveness of your fireplace by dispersing warm air from the fireplace to remote locations in the same room or other rooms in your home.

Up to two kits may be installed on the fireplace. **Please Note:** Only 1 HeatWave kit may be operated at one time. This includes the internal blower option as well.

## MANUFACTURED MOBILE HOME ADDITIONAL REQUIREMENTS

- 1) Ensure that structural members are not cut or weakened during installation.
- 2) Ensure proper grounding using the #8 ground lug provided. Refer to "Wiring Diagram" Section.

## LIGHTING PROCEDURE

**IMPORTANT:** The remote control system supplied with this appliance has several options for starting/operating the appliance using the power button and ON/OFF key on the hand-held transmitter.

Prior to operating this appliance, please read the remote control operating instructions (packaged with remote control) to understand how to operate this remote control system. Option to download remote functions video with QR code below.



Proflame video

1. Ensure the wall switch/receiver is in the remote position (see Diagram 1).

Set Switch to Remote

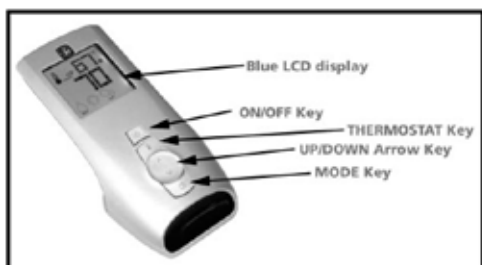


Diagram 1

2. Press and release the ON/OFF button on the remote handheld transmitter (see Diagram 2). An audible beep should be heard from the receiver.



Diagram 2  
Remote shown in Manual Mode on Hi



3. After approximately 4 seconds the spark ignition system will spark for 60 seconds to light the pilot.
4. The unit will turn on.

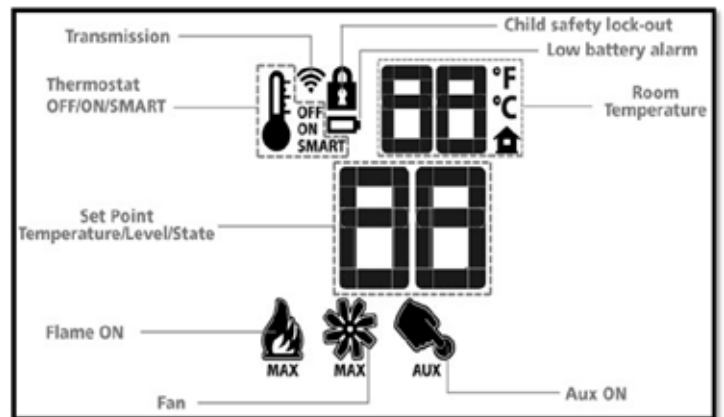
**Note:** The first try for ignition will last approximately 60 seconds. If there is no flame ignition (rectification) the board will stop sparking for approximately 35 seconds. After wait time, the board will start second try for ignition by sparking for approximately 60 seconds. If there is still no positive ignition the board will go into lock out.

The system will need to be reset as follows:

- a) Turn the system off using ON/OFF switch or press ON/OFF button - if using remote.
- b) After approximately 2 seconds turn on ON/OFF switch or press ON/OFF button if using remote.
- c) Repeat step 2.

## SHUTDOWN PROCEDURE

1. Turn the wall-mounted switch or remote to the "OFF" position.
2. Press "OFF" on the remote control.
3. Turn the gas control knob to the "OFF" position to turn off the pilot.



## PROFLAME I REMOTE CONTROL OPERATING INSTRUCTIONS

**IMPORTANT:**The Proflame Transmitter 2 is an integrated part of the Proflame 2 System, which consists of these elements:

- Proflame 2 Transmitter, to be used in conjunction with:
- Integrated Fireplaces Control (Proflame 2 IFC)

The Proflame 2 Transmitter provides for controlling the following hearth appliance functions:

1. Main Burner On/Off
2. Main Burner flame modulation (6 levels)
3. Choice of standing or intermittent pilot (CPI/IPI)
4. Thermostat and Smart thermostat functions
5. Accent light modulation (6 levels)\*\*
6. Split flow valve\*\*
7. Comfort Fan speed modulation (6 levels)\*\*

\*\* This feature is not available on all models.

The Proflame Transmitter uses a streamline design with a simple button layout and informative LCD display (Fig. 1). A Mode Key is provided to index between the features and a Thermostat Key is used to turn on/off or index through Thermostat functions (Fig. 1 & 2). Additionally, a Key Lock feature is provided (Fig. 22).



Figure 1: Proflame Transmitter

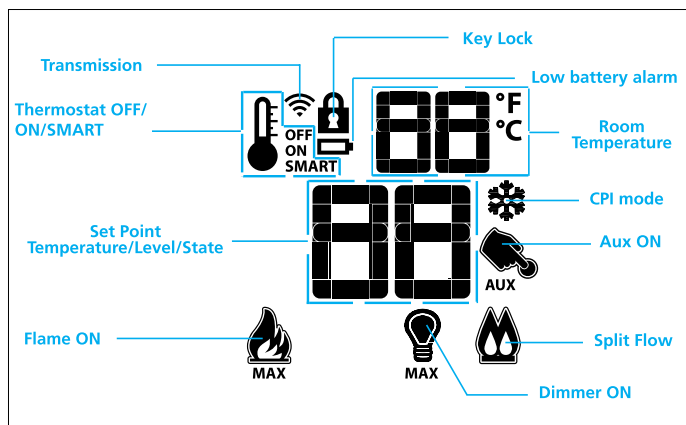


Figure 2: Transmitter LCD Display

**Note: May not be exactly as shown as hand-held may be silver or black.**

TECHNICAL DATA REMOTE CONTROL	
Supply Voltage	4.5V (three 1.5V AAA batteries)
Ambient temperature ratings	0 - 50°C (32 - 122°F)
Radio Frequency	315 MHZ

**WARNING: THE TRANSMITTER AND RECEIVER ARE RADIO FREQUENCY DEVICES. PLACING THE RECEIVER IN OR NEAR METAL MAY SEVERELY REDUCE THE SIGNAL RANGE.**

### ATTENTION!

- Turn "OFF" the main gas supply of the appliance during installation or maintenance of the Receiver device.

- Turn "OFF" main gas supply to the appliance prior to removing or reinserting the batteries.

- In case of remote control malfunction, turn off the IFC device using the "ON/OFF" main switch.

- For installation / maintenance, switch off the IFC device removing main power supply plug.

### OPERATING PROCEDURE

#### Pairing the remote control to remote receiver/battery holder (if required)

Power the receiver. Press the "PRG" button located on the top right hand side of receiver, see the receiver instruction (\*). The Receiver will "beep" three (3) times to indicate that it is ready to synchronize with a Transmitter. Install the 3 AAA type batteries in the Transmitter battery bay, located on the base of the Transmitter. (fig. 3) With the batteries already installed in the Transmitter, push the On button. The Receiver will "beep" four times to indicate the Transmitter's command is accepted and sets to the particular code of that Transmitter. The system is now initialized.

(\*) The receiver may be independent or integral to the IFC hearth appliance control module. The receiver instruction may not be independent when part of the IFC.



Figure 3: Battery Compartment

## Temperature indication Display

With the system in the "OFF" position, press the Thermostat Key and the Mode Key at the same time. Look at the LCD screen on the transmitter to verify that a C or F is visible to the right of the room temperature display (Figures 4 & 5).

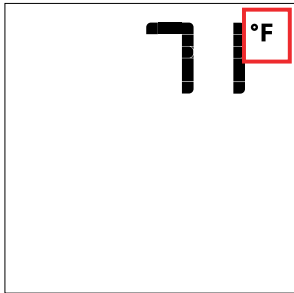


Figure 4: Remote Control display in Fahrenheit.

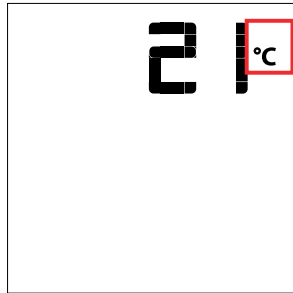


Figure 5: Remote Control display in Celsius.

## Turn on the Appliance

With the system OFF, press the ON/OFF Key on the Transmitter. The Transmitter display will show some other active icons on the screen. At the same time the Receiver will activate the appliance. A single "beep" from the Receiver will confirm reception of the command.

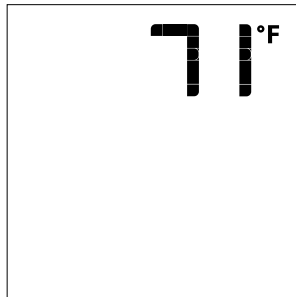


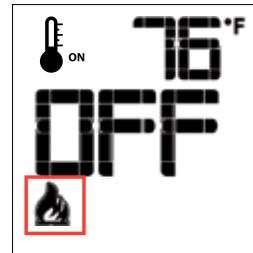
Figure 6: Remote Control display

## Turn off the Appliance

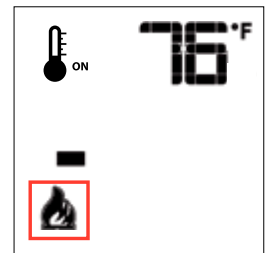
With the system ON, press the ON/OFF Key on the Transmitter. The Transmitter LCD display will only show the room temperature (Fig. 6). At the same time the Receiver will turn off the appliance. A single "beep" from the Receiver confirms reception of the command.

## Remote-Flame Control

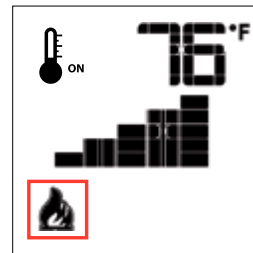
The Proflame has six (6) flame levels. With the system on, and the flame level at the maximum in the appliance, pressing the Down Arrow Key once will reduce the flame height by one step until the flame is turned off. The Up Arrow Key will increase the flame height each time it is pressed. If the Up Arrow Key is pressed while the system is on but the flame is off, the flame will come on in the high position. ( Fig. 7 & 8 ) A single "beep" will confirm reception of the command.



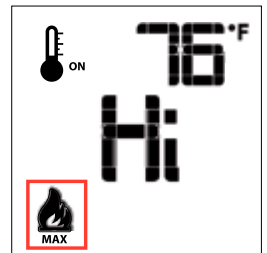
Flame Off



Flame Level 1



Flame level 5



Flame Level Maximum

Fig. 7

Fig. 8

## Room Thermostat (Transmitter Operation)

The Remote Control can operate as a room thermostat. The thermostat can be set to a desired temperature to control the comfort level in a room. To activate this function, press the Thermostat Key (Fig. 1). The Lcd display on the Transmitter will change to show that the room thermostat is "ON" and the set temperature is now displayed (Fig. 9). To adjust the set temperature, press the Up or Down Arrow Keys until the desired set temperature is displayed on the LCD screen of the Transmitter.

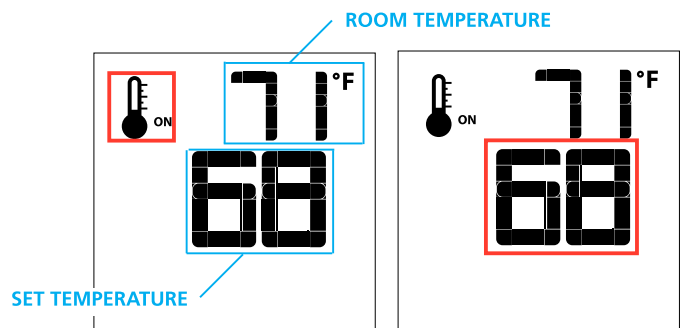


Figure 9

Figure 10

### Smart Thermostat (Transmitter Operation)

The Smart Thermostat function adjusts the flame height in accordance to the difference between the set point temperature and the actual room temperatures. As the room temperature gets closer to the set point the Smart Function will modulate the flame down.

To activate this function, press the Thermostat Key (Fig. 1) until the word "SMART" appears to the right of the temperature bulb graphic (Fig. 11). To adjust the set temperature, press the Up or Down Arrow Keys until the desired set temperature is displayed on the LCD screen of the Transmitter (Fig. 12).

Note. When Smart Thermostat is activated, manual flame height adjustment is disabled.

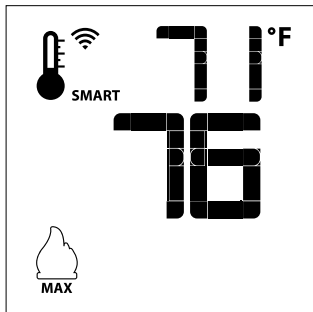


Figure 11: Smart Flame Function

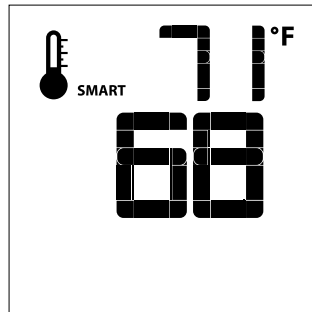


Figure 12

### Remote dimmer control (Light)\*\*

The auxiliary function controls the AUX power outlet by the dimmable light control. To activate this function use the Mode Key (fig. 1) to index to the AUX icon (fig. 15 & 16).

The intensity of the output can be adjusted through six (6) levels. Use the Up/Down Arrow Keys (fig.1) adjust the output level (fig. 16). A single "beep" will confirm reception of the command.

**Note:** This function is available only with the IFC Control Module.

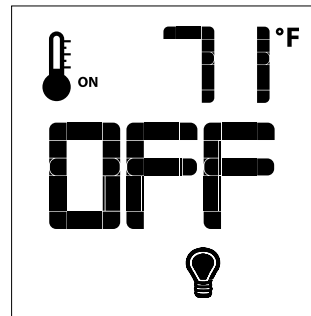


Figure 15

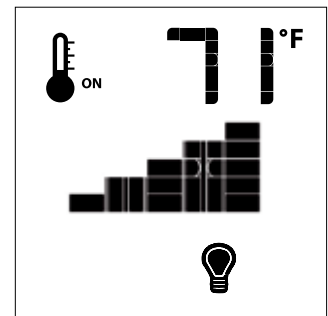


Figure 16

### Fan Speed Control\*\*

If the appliance is equipped with a hot air circulating fan, the speed of the fan can be controlled by the Proflame system. The fan speed can be adjusted through six (6) speeds. To activate this function use the Mode Key (fig.1) to index to the fan control icon (Fig. 13). Use the Up/Down Arrow Keys (fig.1) to turn on, off or adjust the fan speed (fig. 14). A single "beep" will confirm reception of the command.

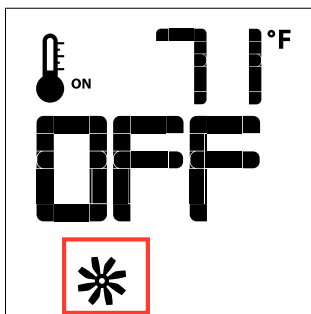


Figure 13

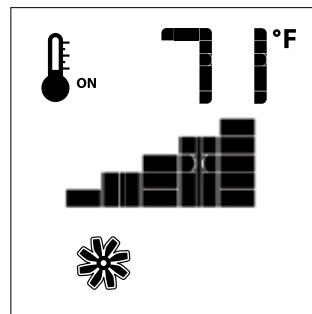


Figure 14

### KEY LOCK

This function will lock the keys to avoid unsupervised operation.

To activate this function, press the MODE and UP Keys at the same time (fig. 21).

To de-activate this function, press the MODE and UP Keys at the same time.

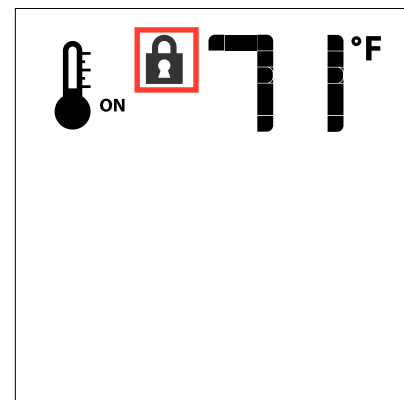


Figure 18

## LOW BATTERY POWER DETECTION

### Transmitter

The life span of the remote control batteries depends on various factors: quality of the batteries used, the number of ignitions of the appliance, the number of changes to the room thermostat set point, etc. When the Transmitter batteries are low, a Battery Icon will appear on the LCD display of the Transmitter (Fig. 22) before all battery power is lost. When the batteries are replaced this Icon will disappear.

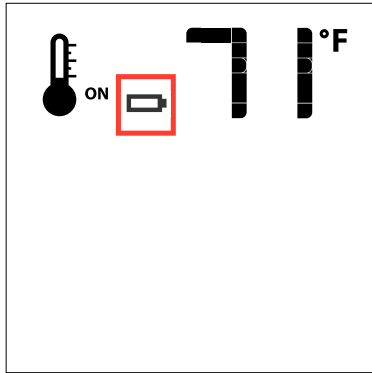


Figure 19

**ENABLE / DISABLE** functions on the Proflame I remote only.

1. Remove one battery from the remote.
2. Press and hold both the **ON/OFF** and the **MODE** button at the same time
3. Reinstall the battery (removed in Step 1) while still holding both buttons (keep holding both buttons and once all batteries are installed then release the **MODE** button only).
4. The screen will show **CFG**.
5. Use the up or down arrow button to program out the function on the remote.

**Note:** You should never program out the fan (if installed) feature on the remote. It is not possible to remove the thermostat mode on this remote control.



## PROFLAME I REMOTE RECEIVER BATTERY REPLACEMENT & BATTERY BACKUP IF 120V POWER IS LOST WITHIN HOME

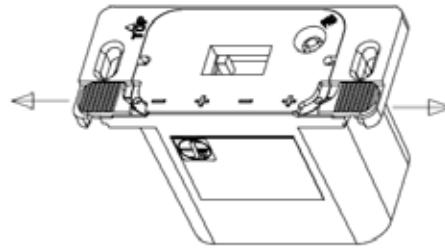
### Remote Receiver Battery Replacement

How to replace/add the batteries on remote receiver.

Note: If no fan control module is installed (included with the optional fan kit), 4 AA batteries are mandatory in the remote receiver to operate appliance when using remote control.

#### STEP 1

Move both the left/right slides as shown below.

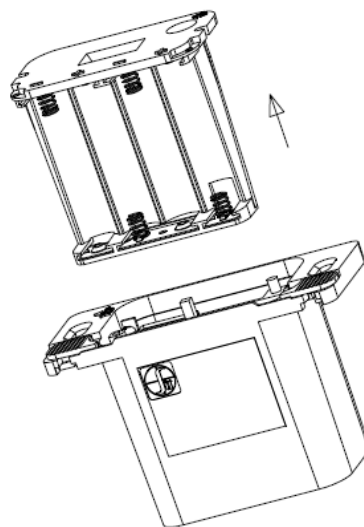


The battery compartment will be pushed out slightly, to allow to easily extract it

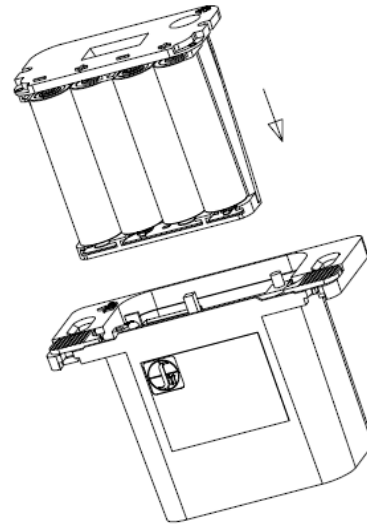


#### STEP 2

Extract the battery compartment from the remote receiver/battery holder

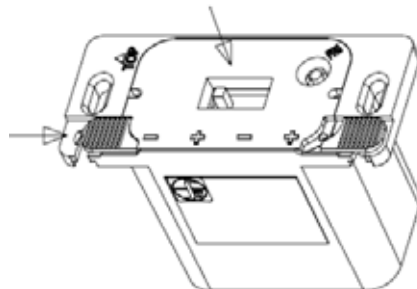


Replace 4 x AA batteries and insert the battery compartment back into remote receiver/battery holder

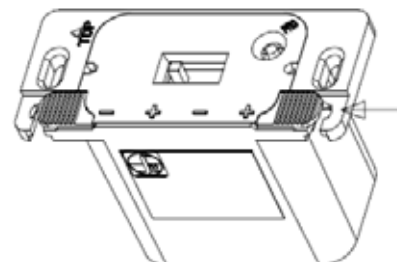


#### STEP 3

Keeping the battery compartment pressed in, close the left slide



Close the right slide



STEP 4 Reinstall wall cover plate with 2 Phillips head screws.

**CLEARANCES WITH VIGNETTE FACEPLATE**

The clearances listed below are Minimum distances unless otherwise stated:

**A major cause of chimney related fires is failure to maintain required clearances (air space) to combustible materials. It is of the greatest importance that this fireplace and vent system be installed only in accordance with these instructions.**

**Clearance to Combustibles from:**

<b>Back</b>	0"	(0mm)
<b>Side</b>	0"	(0mm)
<b>Floor</b>	0"	(0mm)

NOTE: The minimum floor clearance must be maintained from the top surface of the carpeting, tile, etc.

Minimum Clearance from Top of Unit to:

<b>Mantel*</b>	min. 10"	(254mm)
<b>Ceiling</b>	30"	(762mm)

from top of unit.

Side Wall Clearance 7-1/2" (191mm)

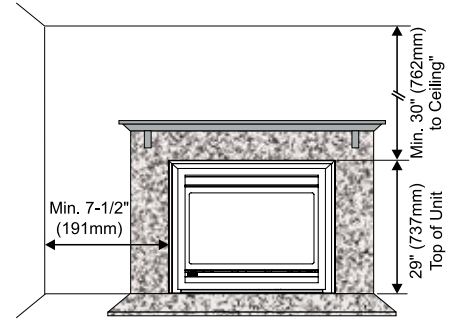
**Minimum Vent Clearances:**

- 2-1/2" (64mm) Horizontal Top
- 1-1/2" (38mm) Horizontal Side
- 1-1/2" (38mm) Horizontal Bottom
- 1-1/4" (32mm) Vertical Vent Clearance (Rigid Vent)
- 1-1/2" (38mm) Vertical Vent Clearance (Flex Vent)

**Alcove Clearances:**

<b>Max. Depth</b>	36"	(914mm)
<b>Min. Width</b>	48"	(1219mm)
<b>Min. Height</b>	59"	(1499mm)

\* see mantel clearance instructions.



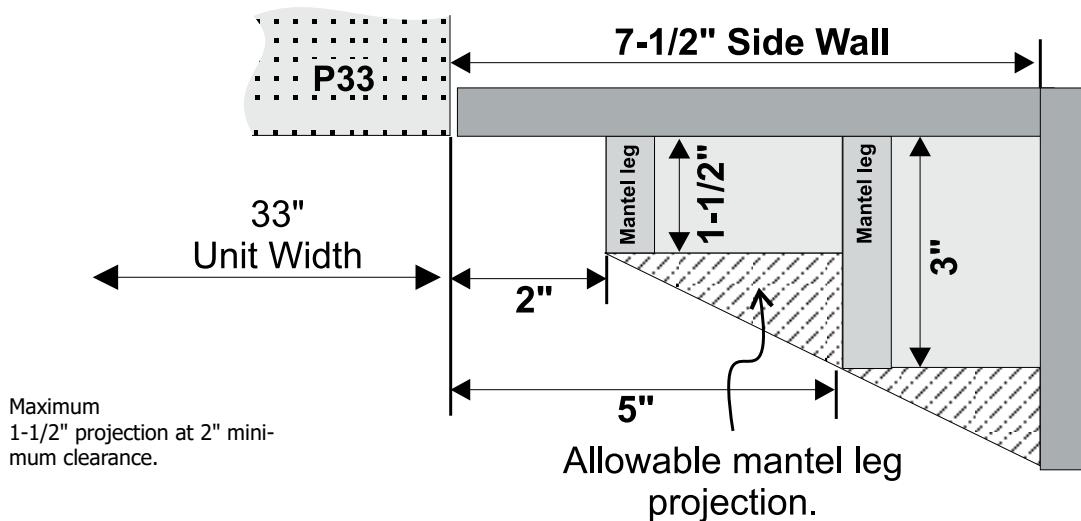
**Clearances for Vignette Faceplate**

**Warning**

Fire hazard is an extreme risk if these clearances are not adhered to.

**MANTEL LEG CLEARANCES WITH FLUSH GLASS**

Combustible mantel leg clearances from side of unit as per diagram:



## COMBUSTIBLE MANTELS

Because of the extreme heat this fireplace emits, the mantel clearances are critical.

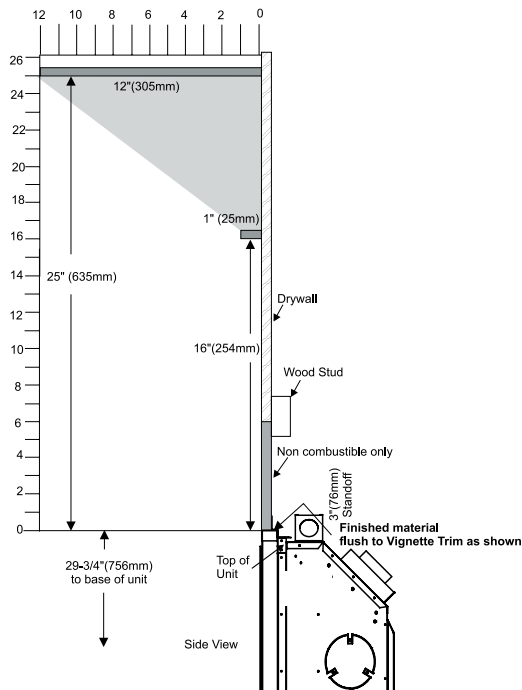
Combustible mantel clearances from top of unit are shown in the diagram below.

**Note: A non-combustible mantel may be installed at a lower height if the framing is made of metal studs covered with a non-combustible board.**

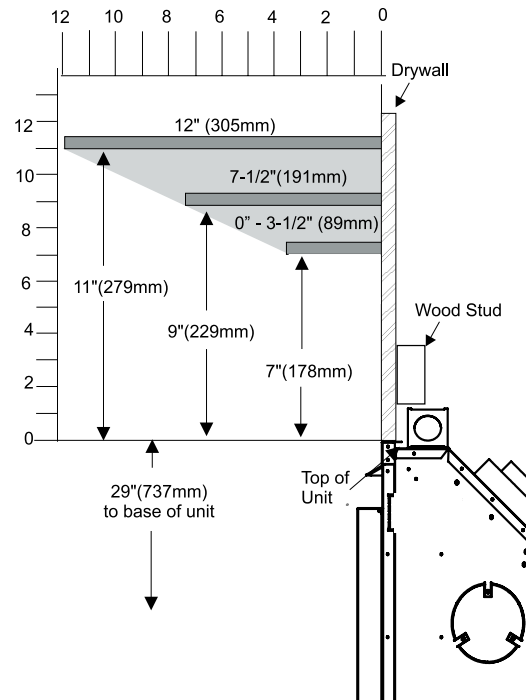
Note: Mantel starts at \*1" deep and end at \*12" deep. **\*\*For Vignette with Vignette Finishing Trim flush finish**, all materials (framing & finishing) below the mantel and the width of the trim (34- 1/16") must be non-combustible if a lower mantel is desired.

**Note: Ensure the paint that is used on the mantel and the facing is "heat resistant" or the paint may discolour.**

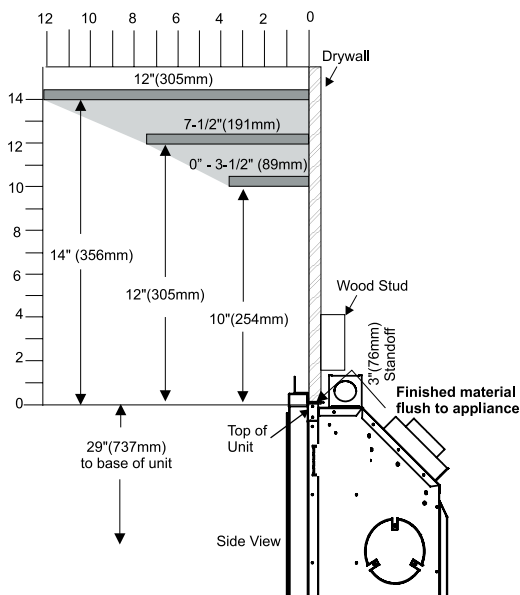
### MANTEL CLEARANCES WITH VIGNETTE + VIGNETTE FINISHING TRIM FLUSH FINISH



### MANTEL CLEARANCES WITH SAFETY SCREEN AND LOUVERS



### MANTEL CLEARANCES WITH VIGNETTE + VIGNETTE FINISHING TRIM STEPPED FINISH

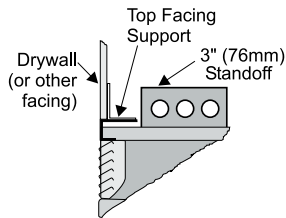


## FRAMING AND FINISHING

**IMPORTANT FINISHING DETAIL NOTE:** Before placing unit into final position - it is important to know the total thickness / height of finished hearth (tile, carpet, etc.). The base of the fireplace should be level or higher than the finished hearth height.

- 1) Determine the total thickness of facing material (e.g. drywall plus ceramic tiles) to allow the finished surface to be flush with the front of the unit. Total facing thickness can vary from 1/2" (13mm) to 1-1/4" (32mm) thick.

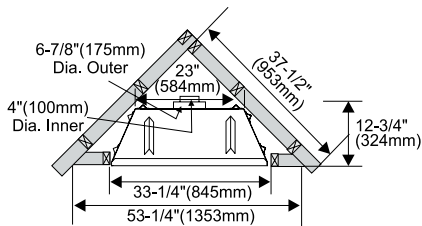
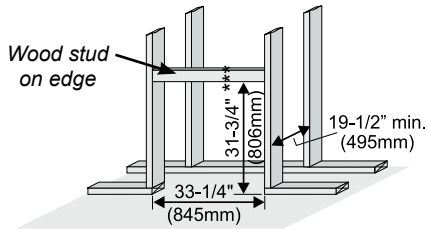
**Install Side Nailing Strips, and Top Facing Support before unit is slipped into position. See "Unit Assembly Prior to Installation" Section**



- 2) Frame in the enclosure for the unit with framing material - see next page for dimensions.

### Vertical Termination or Vertical Rise with Horizontal Termination

**For Both Rigid & Flex - Vignette and Vignette Finishing Trim - Stepped Finish or Safety Screen and Louvers**

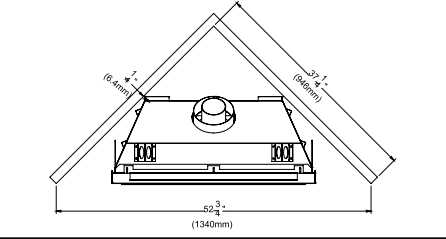
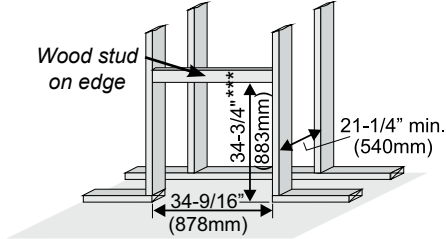


\*\*\* **NOTE:** The Vignette finishing trim can be installed as a 3-sided or 4 sided finish trim. If choosing to use this as a 4 sided finish trim the framing would need to be increased in height by 1-1/4" inches minimum in order for this to fit. This must be to the finished floor. (Example: 34 3/4" framing height + 1-1/4" to bottom of 4-sided finishing trim + 1/2" thick finished floor = 36 1/2" total framing height)

**NOTE:** If this is an outside corner, the minimum distance between the vent and the outside corner is 6" (15cm) with AstroCap termination cap or 12" (30cm) with Rigid Vent termination cap. (For example Dura-Vent).

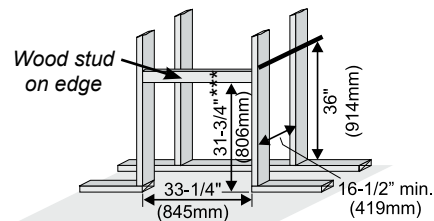
### Vertical Termination or Vertical Rise with Horizontal Termination

**For Both Rigid & Flex - Vignette and Vignette Finishing Trim - Finished Flush**

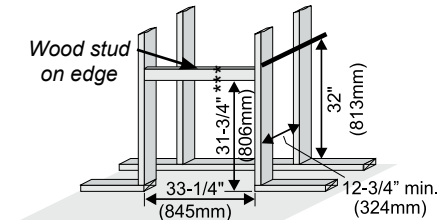


### Rear Termination

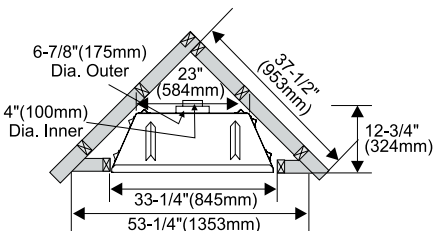
**For Both Rigid & Flex - Vignette and Vignette Finishing Trim - Stepped Finish or Safety Screen and Louvers**



### For Flex Vent



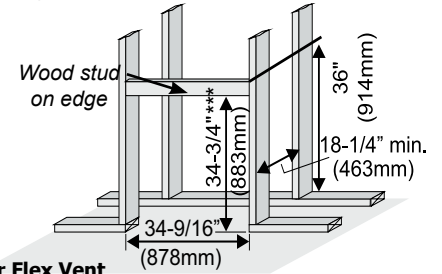
### For Both Rigid & Flex



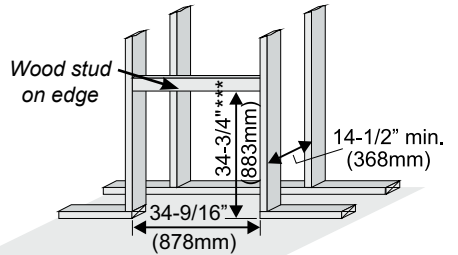
**NOTE:** If this is an outside corner, the minimum distance between the vent and the outside corner is 6" (15cm) with AstroCap termination cap or 12" (30cm) with Rigid Vent termination cap. (For Example Dura-Vent).

### Rear Termination-Vignette and Vignette Finishing Trim - Finished Flush

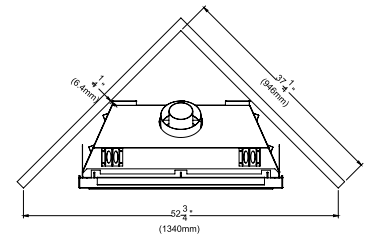
#### For Rigid Vent



#### For Flex Vent



### For Both Rigid & Flex



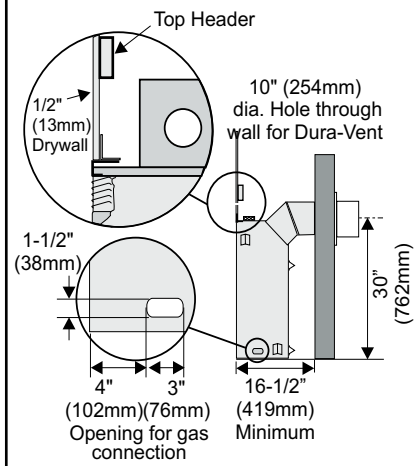
- 3) For exterior walls, insulate the enclosure to the same degree as the rest of the house, apply vapour barrier and drywall, as per local installation codes. **(Do not insulate the fireplace itself.)**

- 4) The top of the unit must not be closer than 30" (762mm) to the ceiling.

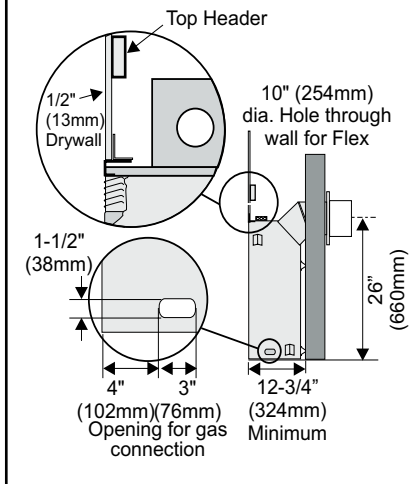
- 5) Combustible material may be brought up to the top and sides of the unit and be covered with ceramic tiles, bricks, rock or other suitable non-combustible finishing materials.

**Note:** The unit does not have to be completely enclosed in a chase. The clearance on top of the unit is 0" to the standoffs so combustible building materials can be laid directly on top of the standoffs. You must maintain clearance from the vent to combustible materials for flex or for Rigid Vent (Refer to "Clearances" Section).

**Rigid Vent  
Minimum Clearances**



**Flex Vent  
Minimum Clearances**



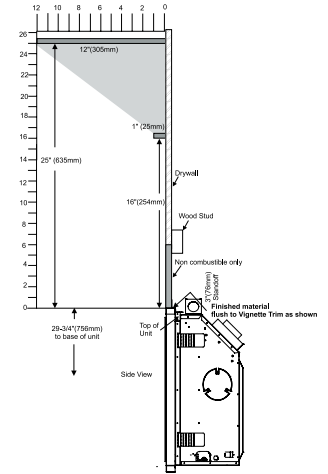
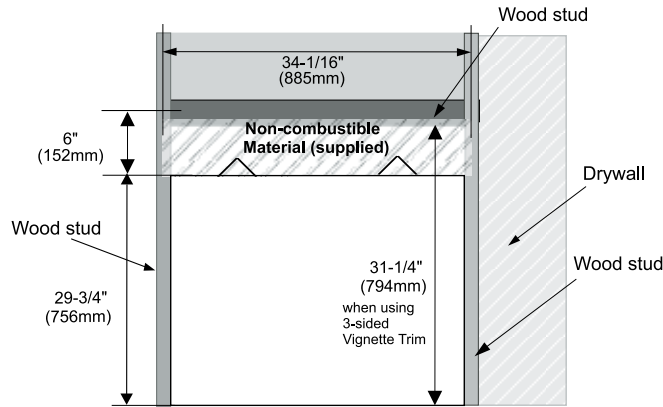
6) Use steel studs for framing where the 1-1/2" (38mm) clearance from the vent to combustible material cannot be maintained.



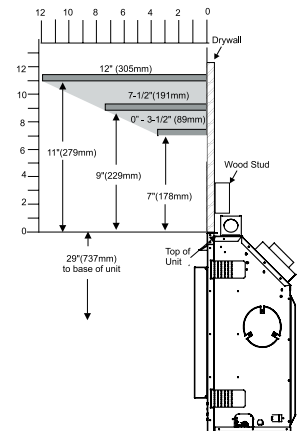
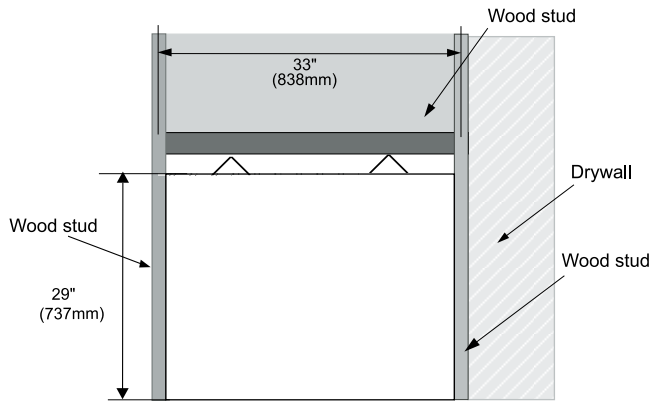
The **HeatWave** Duct Kit has different clearance and framing requirements, check the **HeatWave** manual for details.

**Non- combustible**

**Vignette + Vignette Finishing Trim  
Flush Finished**



**Safety Screen and Optional Louvers  
+ Vignette Only**



**WALL MOUNT ON / OFF SWITCH AND REMOTE RECEIVER INSTALLATION**

**Required for all installations - including Proflame remote controls**

**IMPORTANT INSTALLATION NOTE:**

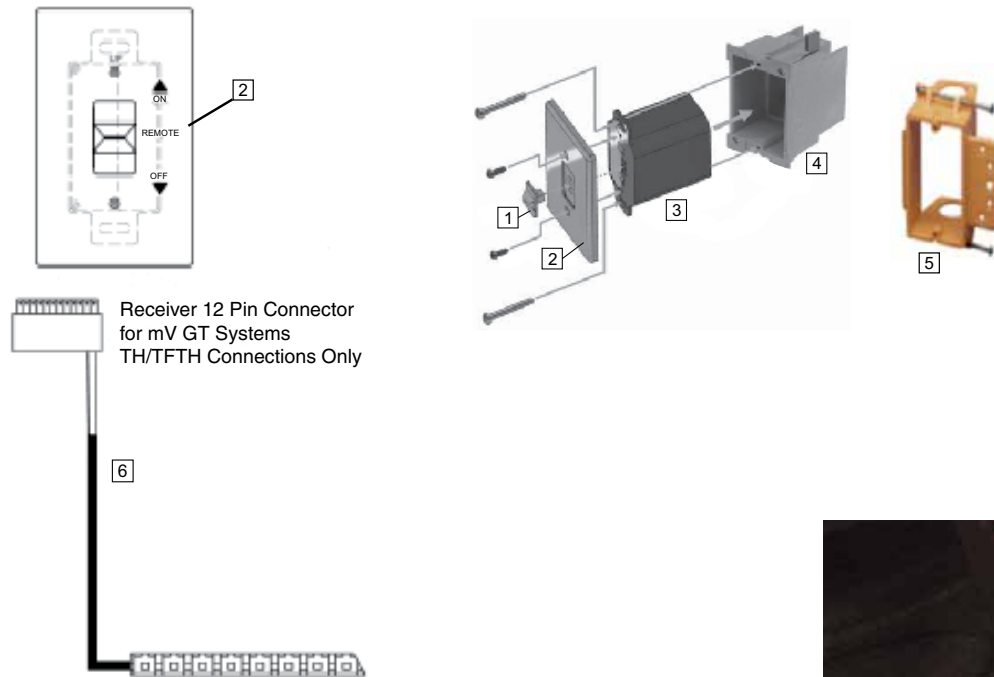
The Receiver must be placed inside the supplied (Low Voltage) junction type wall box and installed into the wall only.

**DO NOT INSTALL WITHIN THE CONFINES OF THE FIREPLACE.**

**Remote Receiver Installation**

1. Install the low voltage junction box to the framing, at desired location within 9 ft. (2.7 meters) from fireplace.
2. Feed the 12 pin connector through the opening at back of junction box.
3. Connect the 12 pin connector to the back of the receiver.
4. Install the Receiver in the Low Voltage Junction box.
5. Insert the 4 AA type batteries in the battery compartment with the correct polarity (only required if no fan control module is installed)
6. Place the slider into the cover plate.
7. Put the Receiver switch in the "OFF" position, to allow correct lineup for slider switch.
8. Make sure the Receiver and cover plate words "ON" and "UP" are on the same side.
9. Align the slider with the switch on the Receiver and couple the switch into the slider.
10. Align the screw holes.
11. Using the two (2) screws provided secure the cover plate to the Receiver.

**Proflame Receiver**



Receiver 12 Pin Connector for mV GT Systems TH/TFTH Connections Only

Item	Part No.	Description
1	N/A	Slider Switch (included with wall plate)
2	911-335	Wall Plate - White
	911-343	Wall Plate - Black
3	911-338/P	Remote Receiver
4	N/A	J-Box
5	910-369	Low Voltage Junction Box
6	911-032	Remote Receiver Wire Harness

10 ft. wire harness with 12 pin connector

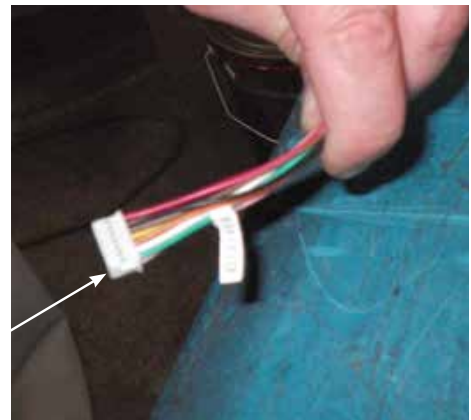


Diagram 1



## UNIT ASSEMBLY PRIOR TO INSTALLATION

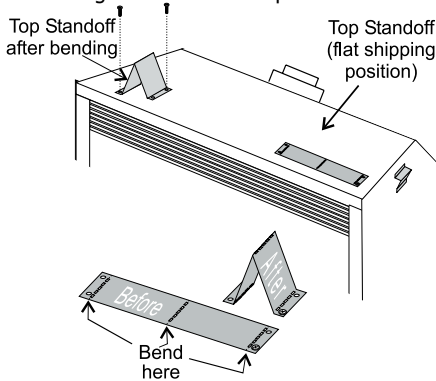
The Top Facing Support, the Side Nailing Strips and the 2 Top Standoffs must be correctly positioned and attached to the top before the unit is put into position.

### Top Standoff Assembly

The top standoffs are shipped in a flat position and must be pulled up and bent into the correct shape.

- 1) Remove the standoffs from on top of the firebox by undoing the screws.
- 2) Take each standoff and bend into the correct shape. Bend up at the bend lines until the screw holes in the standoff and the pre-punched screw holes on the firebox top line-up.
- 3) Attach the standoffs securely to the top with 4 screws per standoff.

**Note:** Secure the standoffs to the holes closest to the edge of the firebox top.

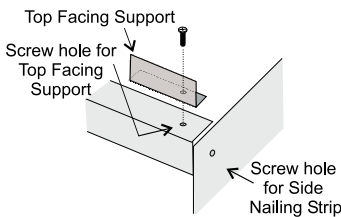


### Top Facing Support & Side Nailing Strips

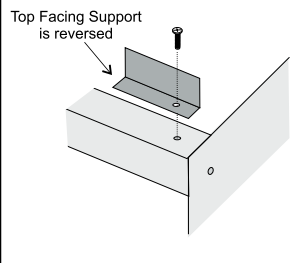
Determine the total thickness of facing material (e.g. drywall plus ceramic tiles) to allow the finished surface to be flush with the front of the unit. Total facing thickness can vary from 1/2" (13mm) to 1-1/4" (32mm) thick.

The Top Facing Support & Side Nailing Strips can be mounted in various positions depending on the thickness of the facing material.

- 1) Mount Top Facing Support using the 3 supplied screws into the three pre-punched screw holes on the top front of the unit. Adjust support to desired facing material depth.
- 2) Mount Side Nailing Strip using the 3 supplied screws into the three pre-punched screw holes at the front sides of the unit. Adjust support to desired facing material thickness.

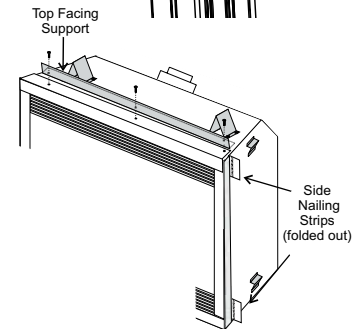
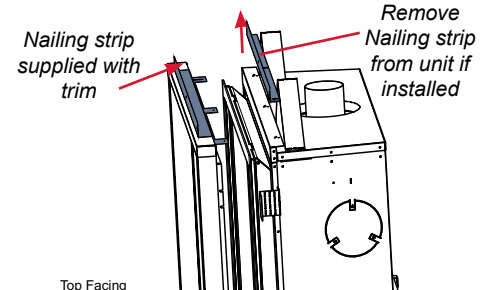


For a facing material depth of 1-1/4" (32mm), the top facing support must be reversed.

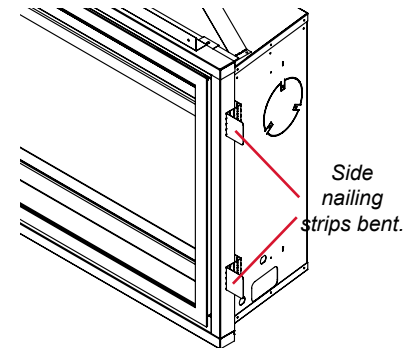


### NOTE:

If finishing flush with the Vignette Finishing Trim - remove top nailing strip (facing support) if already installed and use the nailing strip supplied with the Trim.



If finishing flush with the Vignette Finishing Trim - bend nailing strips around side trim pieces as shown below.



## VENTING INTRODUCTION

The P33-10 uses the "balanced flue" technology Co-Axial system. The inner liner vents products of combustion to the outside while the outer liner draws outside combustion air into the combustion chamber thereby eliminating the need to use heated room air for combustion and losing warm room air up the chimney.

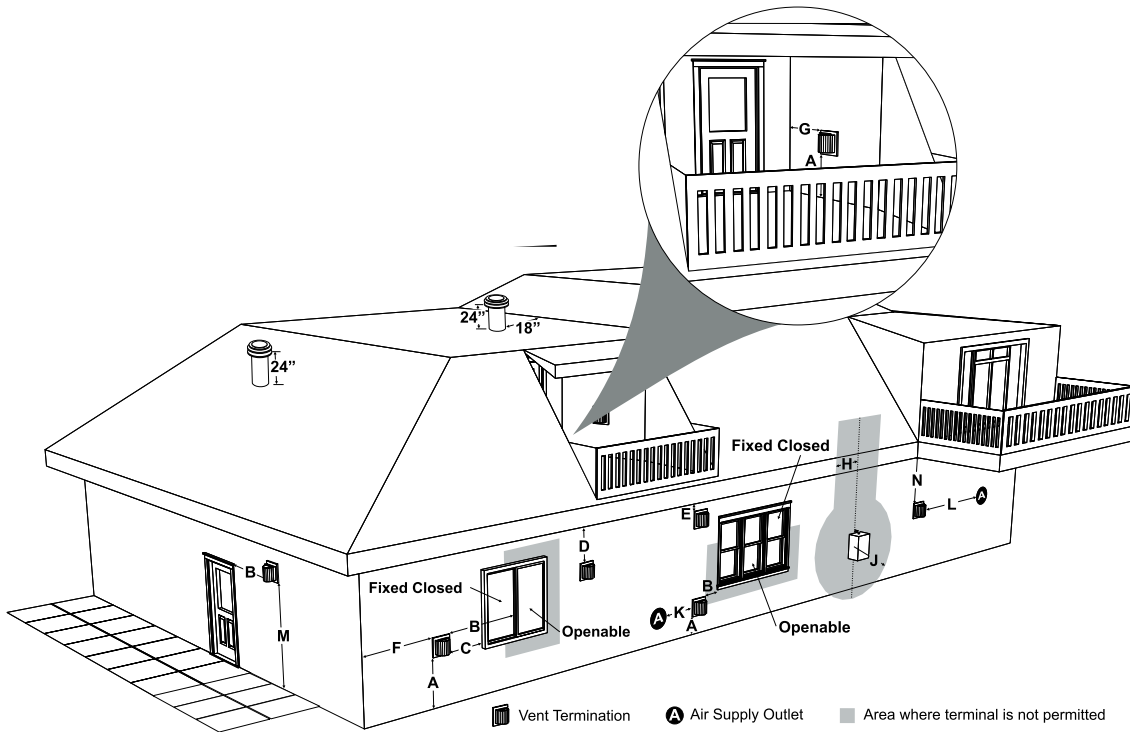
There are 5 vent systems approved for use with the P33-10: the Regency® Direct Vent Flex System for Horizontal Terminations only and the Simpson Dura-Vent, Selkirk Direct-Temp, Amerivent Direct Vent and Security Secure Vent Systems for Horizontal and Vertical Terminations (see following "Venting" Sections for more details).

**Note:** These flue pipes must not be connected to any other appliance.

The gas appliance and vent system must be vented directly to the outside of the building, and never be attached to a chimney serving a separate solid fuel or gas burning appliance. Each direct vent gas appliance must use its own separate vent system. Common vent systems are prohibited. (See "Rigid Pipe Venting System" for more details and exceptions).

NOTE: Ensure compliance with the outside vent terminal location before cutting hole as both dimensions must be met.

EXTERIOR VENT TERMINATION LOCATIONS



	Minimum Clearance Requirements	Canada <sup>1</sup>	USA <sup>2</sup>
A	Clearance above grade, veranda, porch, deck, or balcony	12"(30cm)	12"(30cm)
B	Clearance to window or door that may be opened	12"(30cm)	9" (23cm)
C	Clearance to permanently closed window	*	*
D	Vertical clearance to ventilated soffit located above the terminal within a horizontal distance of 2 feet (61cm) from the center line of the terminal (check with the local code)	18"(46cm)	18"(46cm)
E	Clearance to unventilated soffit	15"(38cm)	15"(38cm)
F	Clearance to outside corner: with <b>AstroCap</b> Termination Cap.	6"(15cm)	6"(15cm)
	Clearance to outside corner: with all other approved Termination Caps.	12"(30cm)	12"(30cm)
G	Clearance to inside corner: with <b>AstroCap</b> Termination Cap	6"(15cm)	6"(15cm)
	Clearance to inside corner: with all other approved Termination Caps.	12"(30cm)	12"(30cm)
H	Clearance to each side of center line extended above meter/regulator assembly	36"(90cm) <sup>a</sup>	*
J	Clearance to service regulator vent outlet	36"(90cm)	*
K	Clearance to non-mechanical air supply inlet to building or the combustion air inlet to any other appliance	12"(30cm)	9" (23cm)
L	Clearance to a mechanical air supply inlet #3' (91cm) above if within 10' (3m) horizontally.	72"(1.8m)	36"(90cm) <sup>b</sup>
M	Clearance above paved sidewalk or a paved driveway located on public property	84"(2.1m) <sup>†</sup>	*
N	Clearance under veranda, porch, deck, or balcony	12"(30cm) <sup>‡</sup>	*

<sup>1</sup> In accordance with current CSA B149.1, *Natural Gas and Propane Installation Code*  
<sup>2</sup> In accordance with the current ANSI Z223.1/NFPA 54, *National Fuel Gas Code*  
<sup>†</sup> A vent shall not terminate directly above a sidewalk or paved driveway which is located between two single family dwellings and serves both dwellings.  
<sup>‡</sup> Permitted only if veranda, porch, deck, or balcony is fully open on a minimum of two sides beneath the floor.  
\* Clearance in accordance with local installation codes and the requirements of the gas supplier  
<sup>a</sup> 3 feet (91cm) within a height of 15 feet (4.5m) above the meter / regulator assembly  
<sup>b</sup> 3 feet (91cm) above - if within 10 feet (3m) horizontally

**REGENCY® DIRECT VENT FLEX SYSTEM  
Horizontal Terminations Only**

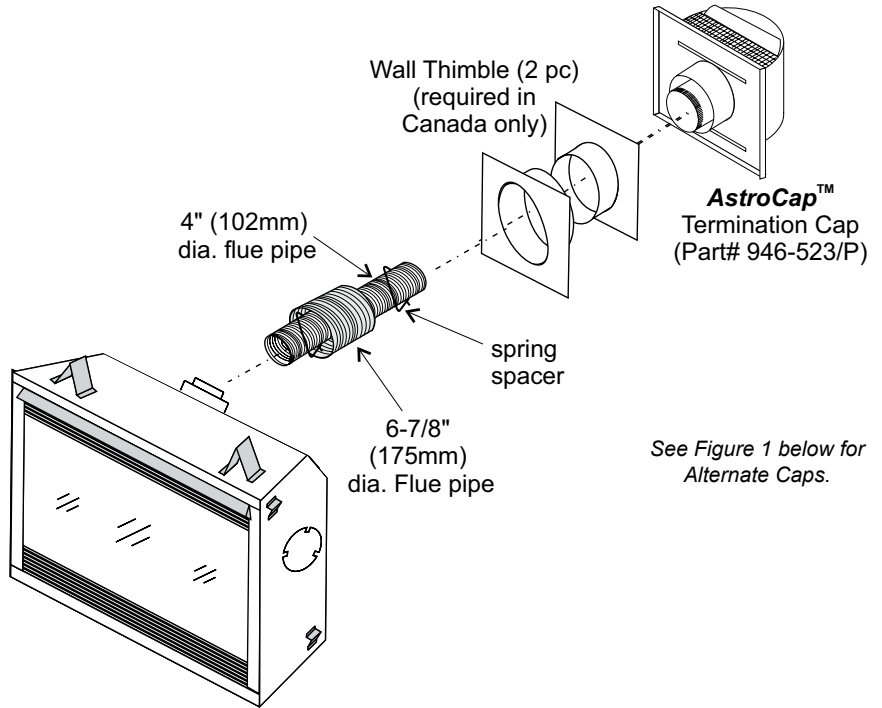
This venting system, in combination with the P33-10 Direct Vent Gas Fireplace, have been tested and listed as a direct vent heater system by Warnock Hersey/ Intertek. The location of the termination cap must conform to the requirements in the "Exterior Vent Terminal Locations" Section .

**Regency® Direct Vent Flex Termination Kit (Part # 946-513) includes all the parts needed to install the P33-10 with a maximum run of 2 feet.** If installing the P33 with a **continuous** vent length of more than 2 ft (.6m) to a maximum of 10 ft. (3.0m) use Kit # 946-515 (4 ft) or 946-516 (10 ft) or see "Rigid Pipe Venting Systems" Section for alternate venting arrangements.

- 1) 6-7/8" dia. flexible liner (2 ft. length)
- 2) 4" dia. flexible liner (2 ft. length)
- 3) spring spacers (3)
- 4) thimble (2)
- 5) **AstroCap** termination cap (1)
- 6) screws (12)
- 7) tube of Mill-Pac (1)
- 8) plated screws (8)
- 9) screws #8 x 1-1/2" drill point, stainless steel (4)

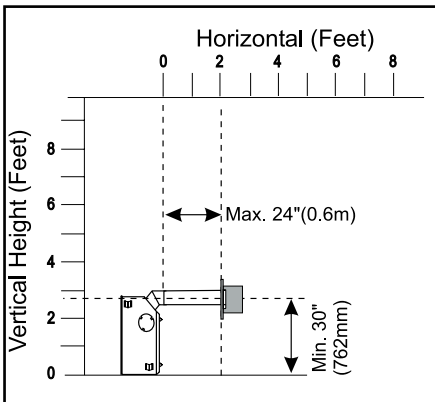
**Notes:**

- 1) **Liner sections should be continuous without any joints or seams.**
- 2) **Only Flex pipe purchased from Regency® may be used for Flex installations.**



See Figure 1 below for Alternate Caps.

**MINIMUM RIGID PIPE CENTER-LINE**



**MINIMUM FLEX KIT CENTER-LINE**

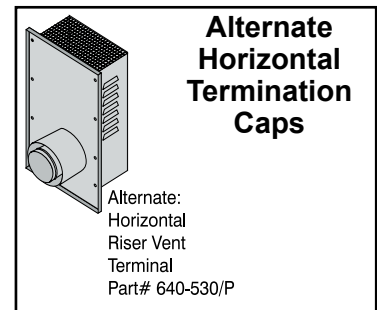
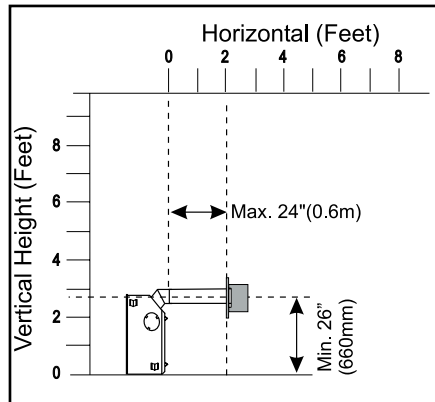


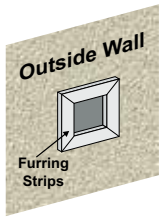
Figure 1

**Wherever necessary due to external location of cap, the AstroCap can be replaced with the FPI Riser Vent Termination Cap or the Dura-Vent Snorkel Termination Cap.**

## INSTALLATION PROCEDURES for Regency® Direct Vent System (Flex)

1) Locate the unit in the framing, rough in the gas (preferably on the right side of the unit) and the electrical (Junction block is on the left side) on the left. Locate the centerline of the termination and mark wall accordingly. Cut a 10"(254mm) hole in the wall (inside dimension).

**Note:** To make the installation more aesthetically pleasing, we recommend framing out a square to mount the terminal to.

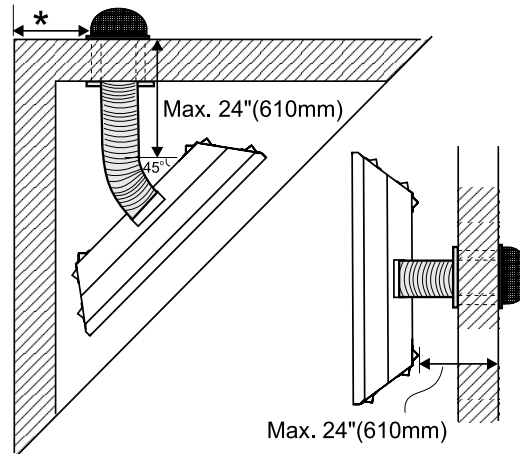


**Note:** A 2-1/2" (64mm) horizontal top and 1-1/2" (38mm) horizontal sides & bottom clearance around the liner must be maintained except that only a 1" (25mm) clearance is needed at the termination end. We recommend framing a 10" (254mm) x 10" (254mm) (inside dimensions) hole to give structural rigidity for mounting the termination.

**Note:** When installing an appliance where the exterior of the house will be or is sided with vinyl siding, a vinyl siding standoff or furring strips must be used to ensure that the termination cap is not recessed into the siding. If there is no siding installed - install the vinyl siding standoff or furring strips to the exterior of the home where the termination cap is to be installed. Install the cap on the vinyl siding standoff or furring strips. J-channel can then be installed around the vinyl siding standoff, then the siding can be installed. If vinyl siding is already installed - line up the vinyl siding standoff or furring strips on the vinyl siding where the termination cap is to be installed, trace out the vinyl siding standoff or furring strips, then cut out and remove the vinyl. Install the standoff to the exterior of the home. Install the termination cap on the vinyl siding standoff or furring strips.

2) Level the fireplace and fasten it to the framing using nails or screws through the nailing strips.  
3) Assemble the vent assembly by applying Mill Pac to the 4"(100mm) inner collar of the termination and slipping the 4"(100mm)

\*If this is an outside corner, the minimum distance between the vent and the outside corner is 6" (15cm) with *AstroCap* termination cap or 12" (30cm) with *Dura-Vent* termination cap. See "F" in the diagram in "Exterior Vent Termination Locations" Section.



Minimum and Maximum Vent Clearances

liner over it at least 1-3/8" (35mm). Fasten with the 3 screws (drilling pilot holes will make this easier). Apply Mill-Pac to the 6-7/8"(175mm) flex pipe and slip it over the 6-7/8" outer collar of the vent terminal at least 1-3/8"(35mm) and fasten with the 3 screws.

4) Separate the 2 halves of the wall thimble and securely fasten the one with the tabs to the outside wall making sure that the tabs are on top and bottom. Fasten the other thimble half to the inside wall. The thimble halves slip inside each other and can be adjusted for 2 x 4 or 2 x 6 walls. **The liners must slip over the collars a minimum of 1-3/8".**

5) Slip the assembled liner and termination assembly through the thimble making sure the termination cap faces up (there are markings on the cap that show which way is up). This will position the termination cap with proper down slope for draining water. Fasten the cap to the outer wall with the 4 supplied screws.

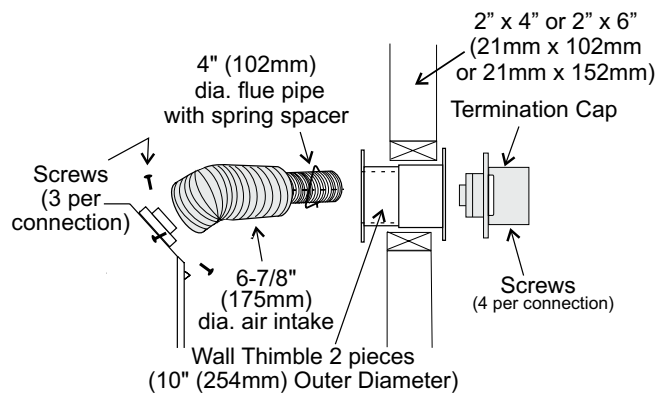
6) Pull the centre 4"(100mm) liner and outer 6-7/8"(175mm) liner out enough to slip over the flue collars of the fireplace.

7) Apply Mill Pac over the fireplace inner collar and slip the 4"(100mm) liner down over it and attach with 3 supplied screws.

8) Do the same with the 6-7/8"(175mm) liner.

9) Apply a bead of silicone between the thimble and termination and around the outer edge of the terminal at the wall in order to keep the water out.

**IMPORTANT: Do not locate termination hood where excessive snow or ice buildup may occur. Be sure to check vent termination area after snow falls, and clear to prevent accidental blockage of venting system. When using snow blowers, make sure snow is not directed towards vent termination area.**



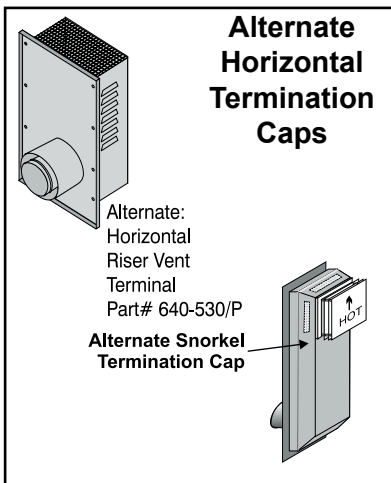
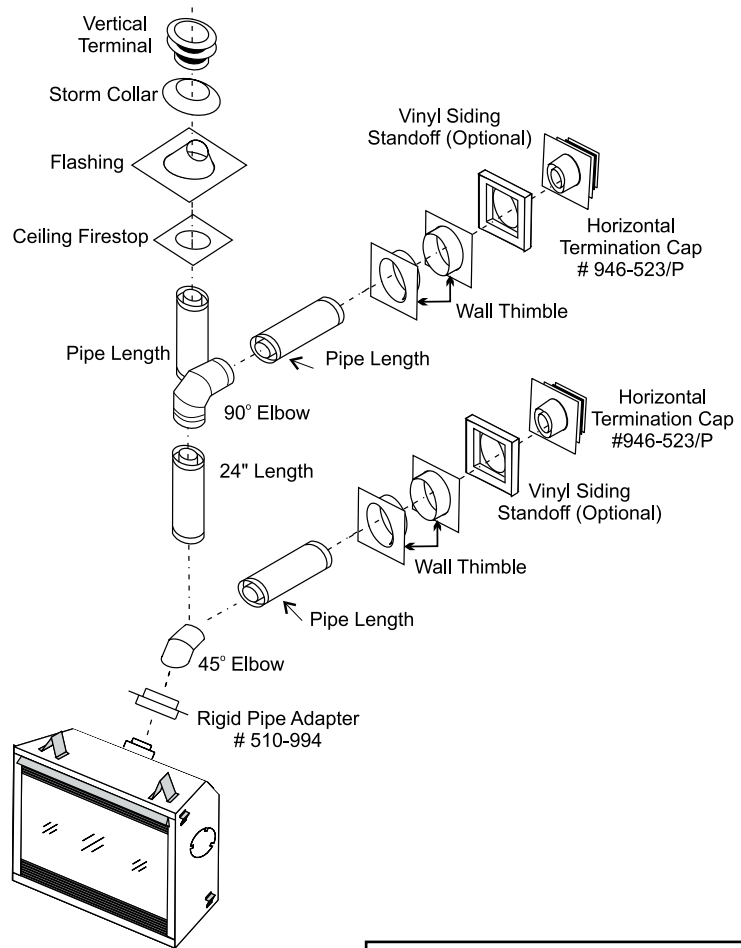
**RIGID PIPE VENTING SYSTEMS**  
***Horizontal or Vertical Terminations***

The minimum components required for a basic horizontal termination are:

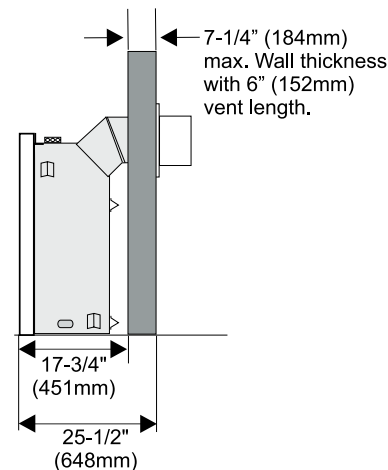
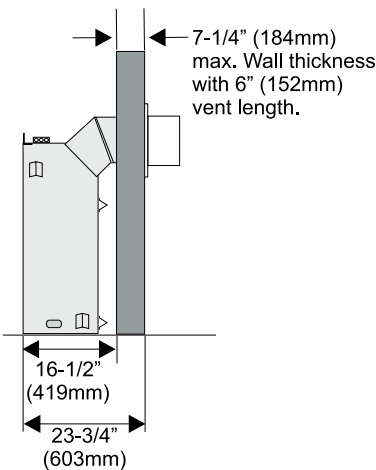
- 1 **AstroCap** Horizontal Termination Cap
- 1 45° Elbow
- 1 Rigid Pipe Adaptor
- 1 Wall Thimble
- 1 Length of pipe to suit wall thickness (see chart)

For siding other than vinyl furring strips may be used, instead of the vinyl siding standoff, to create a level surface to mount the vent terminal. The Terminal must not be recessed into siding.

If a Vinyl Siding Standoff is required (it must be used with vinyl siding), measure to outside surface of wall without siding and add 2 inches.



**VIGNETTE + VIGNETTE FINISHING TRIM  
 FLUSH FINISH**



**WARNING:**

Do not combine venting components from different venting systems.

However use of the AstroCap™ and FPI Riser is acceptable with all systems.

This product has been evaluated by Intertek for using a Rigid Pipe Adaptor in conjunction with Duravent Direct-Vent, Selkirk Direct-Temp, Ameri Vent Direct venting and Security Secure Vent systems. Use of these systems with the Rigid Pipe adaptor is deemed acceptable and does not affect the Warnok Hersey/Intertek listing of components.

**When using Rigid Vent other than Simpson Dura-Vent, 3 screws must be used to secure rigid pipe to adaptor.**

The FPI AstroCap™ and FPI Riser Vent terminal are certified for installations using FPI venting systems as well as Simpson Dura-Vent® Direct Vent Pro, American Metal Products Ameri Vent Direct Vent, Security Secure Vent®, Selkirk Direct-Temp. AstroCap™ is a proprietary trademark of FPI Fireplace Products International Ltd. Dura-Vent® and Direct Vent are registered and/or proprietary trademarks of Simpson Dura-Vent Co. Inc.

**4" X 6-5/8" RIGID PIPE CROSS REFERENCE CHART**

Components from different Manufacturers may not be mixed. Not All Rigid Pipe components are available directly from FPI.

**Note:** Olympia Ventis DV is only approved for certain models. See list of approved models in cross-reference chart.

Description	Simpson Direct Vent Pro®	*Selkirk Direct Temp™	*American Metal Products® Amerivent Direct	*Metal-Fab™ Sure Seal	*Security Secure- Vent®	*ICC Excel Direct	*Olympia Ventis DV***
6" Pipe Length-Galvanized	46DVA-06	4DT-6	N/A	4D6	SV4L6	TC-4DL6	VDV-0406
6" Pipe Length-Black	46DVA-06B	4DT-6B	N/A	4D6B	SV4LB6	TC-4DL6B	VDVB-0406
7" Pipe Length-Galvanized	N/A	N/A	4D7	N/A	N/A	N/A	N/A
7" Pipe Length-Black	N/A	N/A	4D7B	N/A	N/A	N/A	N/A
9" Pipe Length-Galvanized	46DVA-09	4DT-9	N/A	N/A	N/A	TC-4DL9	VDV-0409
9" Pipe Length-Black	46DVA-09B	4DT-9B	N/A	N/A	N/A	TC-4DL9B	VDVB-0409
12" Pipe Length-Galvanized	46DVA-12	4DT-12	4D12	4D12	SV4L12	TC-4DL1	VDV-0412
12" Pipe Length-Black	46DVA-12B	4DT-12B	4D12B	4D12B	SV4LB12	TC-4DL1B	VDVB-0412
18" Pipe Length-Galvanized	46DVA-18	4DT-18	4D18	4D18	SV4LA	TC-4DL18	VDV-0418
18" Pipe Length-Black	46DVA-18B	4DT-18B	4D18B	4D18B	SV4LA	TC-4DL18B	VDVB-0418
24" Pipe Length-Galvanized	46DVA-24	4DT-24	4D24	4D24	SV4L24	TC-4DL2	VDV-0424
24" Pipe Length-Black	46DVA-24B	4DT-24B	4D24B	4D24B	SV4LB24	TC-4DL2B	VDVB-0424
36" Pipe Length-Galvanized	46DVA-36	4DT-36	4D36	4D36	SV4L36	TC-4DL3	VDV-0436
36" Pipe Length-Black	46DVA-36B	4DT-36B	4D36B	4D36B	SV4LB36	TC-4DL3B	VDVCB-0436
48" Pipe Length-Galvanized	46DVA-48	4DT-48	4D48	4D48	SV4L48	TC-4DL4	VDV-0448
48" Pipe Length-Black	46DVA-48B	4DT-48B	4D48B	4D48B	SV4LB48	TC-4DL4B	VDVB-0448
60" Pipe Length-Galvanized	46DVA-60	4DT-60	N/A	N/A	N/A	N/A	N/A
60" Pipe Length-Black	46DVA-60B	4DT-60B	N/A	N/A	N/A	N/A	N/A

Adjustable Length 3"-10"-Galvanized	N/A	N/A	N/A	4DAL	N/A	TC-4DLT	N/A
Adjustable Length 3"-10"-Black	N/A	N/A	N/A	4DALB	N/A	TC-4DLTB	N/A
Adjustable Length 7"-Galvanized	N/A	N/A	4D7A	N/A	N/A	N/A	N/A
Adjustable Length 7"-Black	N/A	N/A	4D7AB	N/A	N/A	N/A	N/A
Extension Pipe 8-1/2"-Galvanized	46DVA-08A	N/A	N/A	N/A	N/A	N/A	N/A
Extension Pipe 8-1/2"-Black	46DVA-08AB	N/A	N/A	N/A	N/A	N/A	N/A
Adjustable Length 12"-Galvanized	N/A	N/A	4D12A	N/A	SV4LA12	TC-4dLSI	N/A
Adjustable Length 12"-Black	N/A	N/A	4D12A	N/A	SV4LBA12	TC-4dLSIB	N/A
Extension Pipe 16"-Galvanized	46DVA-16A	N/A	N/A	N/A	N/A	N/A	N/A
Extension Pipe 16"-Black	46DVA-16AB	N/A	N/A	N/A	N/A	N/A	N/A

45° Elbow-Galvanized	46DVA-E45	4DT-EL45	4D45L	N/A	N/A	TE-4DE45	VDV-EL0445
45° Elbow-Black	46DVA-E45B	4DT-EL45B	4DT-EL45B	N/A	N/A	TE-4DE45B	VDVB-EL0445
45° Elbow Swivel-Galvanized	See 46DVA-E45	N/A	N/A	4D45L	SV4E45	N/A	N/A
45° Elbow Swivel-Black	See 46DVA-E45B	N/A	N/A	4D45LB	SV4EB45	N/A	N/A
90° Elbow-Galvanized	46DVA-E90	4DT-EL90S	4DT-EL90S	N/A	N/A	TE-4DE90	VDV-EL0445
90° Elbow-Black	46DVA-E90B	4DT-EL90SB	4DT-EL90SB	N/A	SV4EBR90-1	TE-4DE90B	VDVB-EL0445
90° Elbow, Swivel-Galvanized	See 46DVA-E90	N/A	N/A	4D90L	SV4E90-1	N/A	N/A
90° Elbow, Swivel-Black	See 46DVA-E90B	N/A	N/A	4D90LB	wSV4EB90-1	N/A	N/A
90° Starter Elbow, Swivel-Galvanized	N/A	N/A	N/A	4D90A	N/A	N/A	N/A
Adaptor*	N/A	N/A	N/A	4D90L	N/A	N/A	VDV-UAA04

Ceiling Support	N/A	4DT-CS	4DSP	4DFSP	SV4SD	TM4-RDS	VDV-SCR04
Cathedral Support Box	46DVA-CS	4DT-CSS	4DRSB	4DRS	SV4CSB	TM4-SDS	VDV-CSS04
Wall Support/Band	46DVA-WS	4DT-WS/B	4DWS	4DWS	SV4BM	TM-SWS	VDV-WS04
Offset Support	46DVA-ES	4DT-OS	N/A	N/A	SV4SU	TM-SOS	N/A
Wall Thimble-Black	46DVA-WT	4DT-WT	4DWT	4DWT	SV4RSM	N/A	VDV-WPT04
Wall Thimble Cover/Ceiling Support	46DVA-DC	N/A	N/A	N/A	SV4PF	N/A	N/A
Firestop Spacer	46DVA-FS	4DT-FS	4DFSP	4DFS	SV4BF	TM-4CS	VDV-FS04
Trim Plate-Black	N/A	4DT-TP	4DFPB	4DcP	SV4LA	TM-4TP	VDV-WTC04

\* Not available from Regency



Description	Simpson Direct Vent Pro®	*Selkirk Direct Temp™	*American Metal Products® Amerivent Direct	*Metal-Fab™ Sure Seal	*Security Secure-Vent®	*ICC Excel Direct	*Olympia Ventis DV***
Attic Insulation Shield 12"	46DVA-IS	N/A	4DAIS12	4DIS	SV4RSA	N/A	VDV-AIS04
Attic Insulation Shield - Cold Climates 36"	N/A	N/A	4DAIS12	N/A	N/A	TM-4AS	N/A
Basic Horizontal Termination Kit (A)	46DVA-KHA	4DT-HKA	4DHTK2	4DHTKA	SV-SHK	TM4-HTK	VDV-KW04
Horizontal Termination Kit (B)	N/A	4DT-HKB	4DHTK1	4DHTKB	SV-HK	TM4-HTK	VDV-K04
Vertical Termination Kit	N/A	4DT-VKC	4DHTK	4DHTK	SV-FK	N/A	N/A
High Wind Vertical Cap	46DVA-VCH	N/A	N/A	N/A	N/A	TM-4VT	VDV-VCHW04
High Wind Horizontal Cap	N/A	N/A	N/A	N/A	N/A	TM-4DHT	N/A
Horizontal Square Termination Cap	46DVA-HC	4DT-HHC	4DHC	4DHT	SV4CHC-1	TM-4HT	VDV-HC04
Vertical Termination Cap	46DVA-VC	4DT-HVC	4DVC	4DVT	SV4CGV-1	N/A	N/A
Storm Collar	46DVA-SC	4DT-SC	4DSC	4DSC	SV4FC	TM-SC	VDV-SC04
Flashing - Flat Roof	46DVA-FF	N/A	N/A	N/A	N/A	N/A	N/A
Adjustable Flashing 0/12-6/12	46DVA-F6	4DT-ST14	4D12S	4DF	SV4STC14	TF-4FA	VDV-F0406
Adjustable Flashing 6/12-12/12	46DVA-F12	4DT-ST36	4D36S	4DF-12	SV4STC36	TF-4FB	VDV-SSO
Vinyl Siding Standoff	46DVA-VSS	4DT-VS	N/A	4DVS	SV4VS	TM-VSS	N/A
Vinyl Siding Shield Plate	N/A	4DT-VSP	N/A	N/A	SV4VS	N/A	N/A
Snorkel Termination 14"	46DVA-SNK14	N/A	N/A	N/A	N/A	TM-4ST14	N/A
Snorkel Termination 36"	N/A	N/A	N/A	N/A	N/A	TM-4ST36	N/A
Wall Firestop	46DVA-WFS	N/A	N/A	N/A	N/A	TM-4TR	VDV-FS04

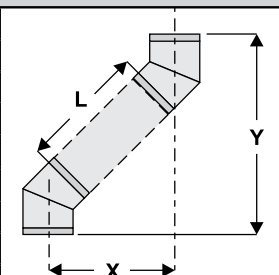
\* Not available from Regency

\*\*\*Olympia Ventis DV application for the following units only when using 4" x 6-5/8" vent system: B36XTE, B36XTCE, all City Series 40 models, CV72E/CB72E (power-vented models only), G600C, G600C-1, G600EC, G800C, G800C-1, G800EC, P36, P36E, and RC500E.

FPI			
946-506/P	Vent Guard (Optional) for AstroCap	946-205	Vinyl Siding Shield for Riser Vent Terminal
**510-994	Rigid Pipe Adaptor (Must use with all rigid piping)	946-208/P	Vent Guard (Optional) for Riser Vent Terminal
640-530/P	Riser Vent Terminal	946-523/P	AstroCap Horizontal Cap
		946-206	Vinyl Siding Standoff for AstroCap

\*\*The rigid pipe adaptor is not required on the C34, C34E, U39, U39E, H15, H27, H35 & RC500E.

**Note:** When using Metal-Fab Sure Seal Rigid Piping - please note that the Adaptor (4DDA) must be used in conjunction with FPI Rigid Pipe Adaptor (510-994).

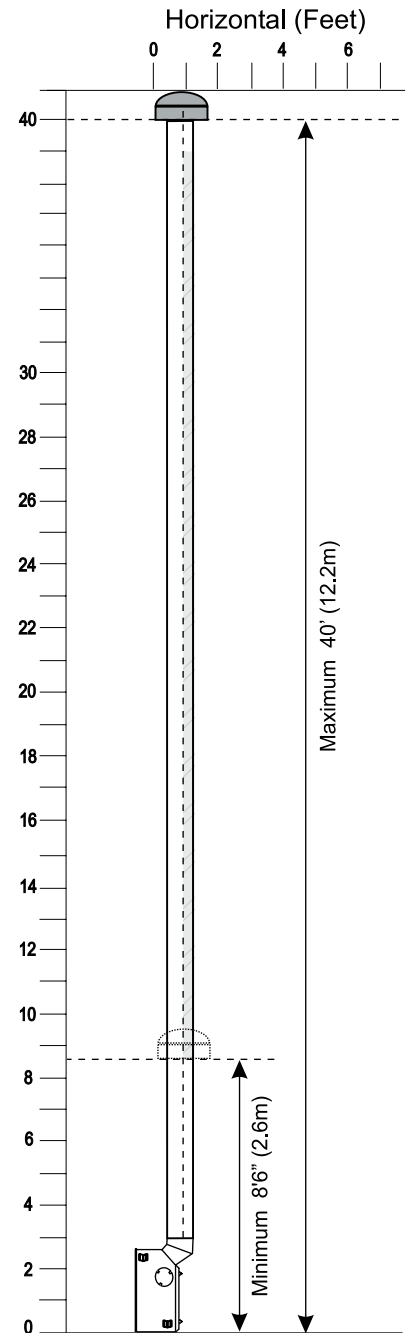
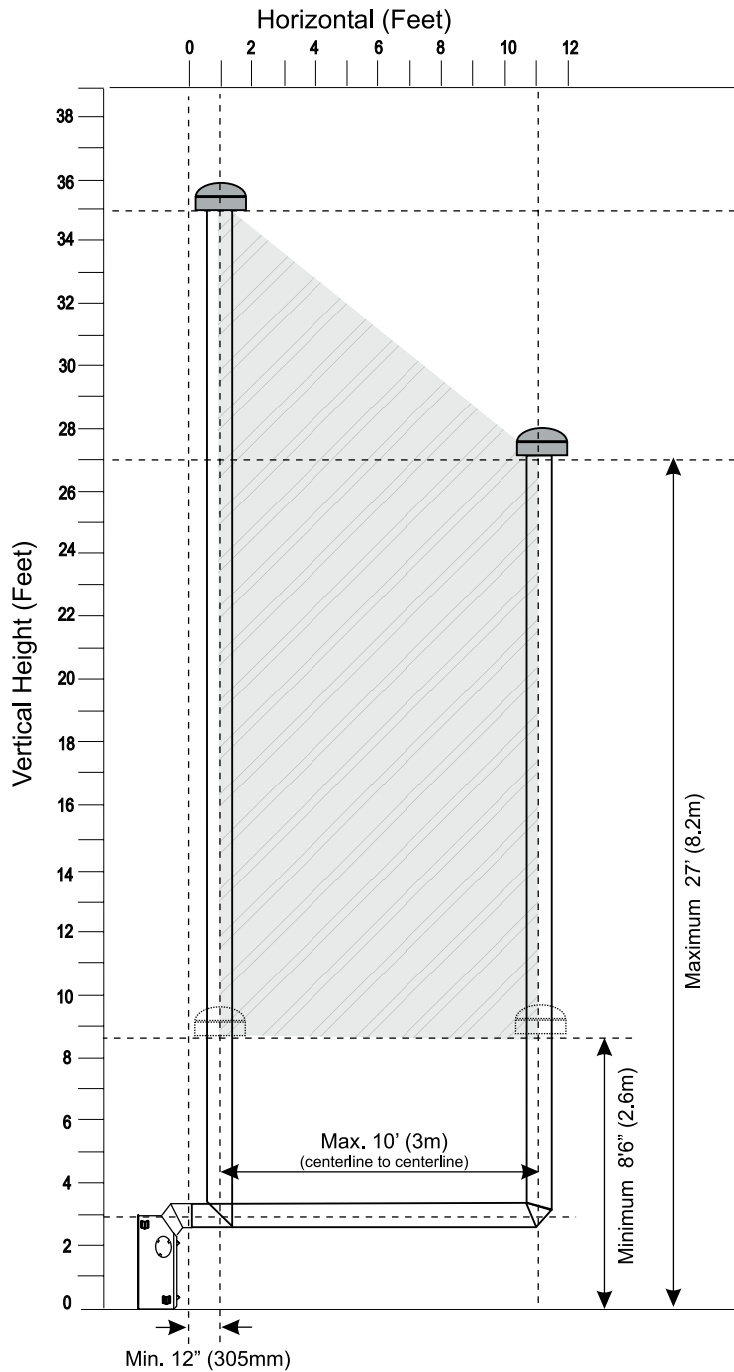
Offset Pipe Selection: Use this table to determine offset pipe lengths.				For specific instructions on venting components - visit the manufacturers website listed below.
Pipe Length (L)	4" x 6-5/8" Venting			
	Run (X)	Rise (Y)		
0" (0mm)	4-7/8" (124mm)	13-7/8" (340mm)		Simpson Direct Vent Pro: <a href="http://www.duravent.com">www.duravent.com</a>
6" (152mm)	8" (203mm)	16-1/2" (419mm)		Selkirk Direct-Temp: <a href="http://www.selkirkcorp.com">www.selkirkcorp.com</a>
9" (229mm)	10-1/8" (257mm)	18-5/8" (473mm)		American Metal Products: <a href="http://www.americanmetalproducts.com">www.americanmetalproducts.com</a>
12" (305mm)	12-1/4" (311mm)	20-3/4" (527mm)		Metal-Fab Sure Seal: <a href="http://www.mtlfab.com">www.mtlfab.com</a>
24" (610mm)	20-5/8" (524mm)	29-1/8" (740mm)		Security Secure Vent: <a href="http://www.securitychimneys.com">www.securitychimneys.com</a>
36" (914mm)	29" (737mm)	37-1/2" (953mm)		Industrial Chimney Company: <a href="http://www.icc-rsf.com">www.icc-rsf.com</a>
48" (1219mm)	37-7/16" (951mm)	45-15/16" (1167mm)		Olympia Ventis DV: <a href="http://www.olympiachimney.com">www.olympiachimney.com</a>

**Note:** Horizontal runs of vent must be level, or have a 1/4" rise for every 1 foot of run towards the termination. Never allow the vent to run downward - this could cause high temperatures and may present a possible fire hazard.



### RIGID PIPE VENTING ARRANGEMENTS Vertical Terminations (Propane & Natural Gas)

The shaded area in the diagram shows all allowable combinations of straight vertical and offset to vertical terminations, using one 90° elbow, with **rigid pipe** vent systems for Propane and Natural Gas.



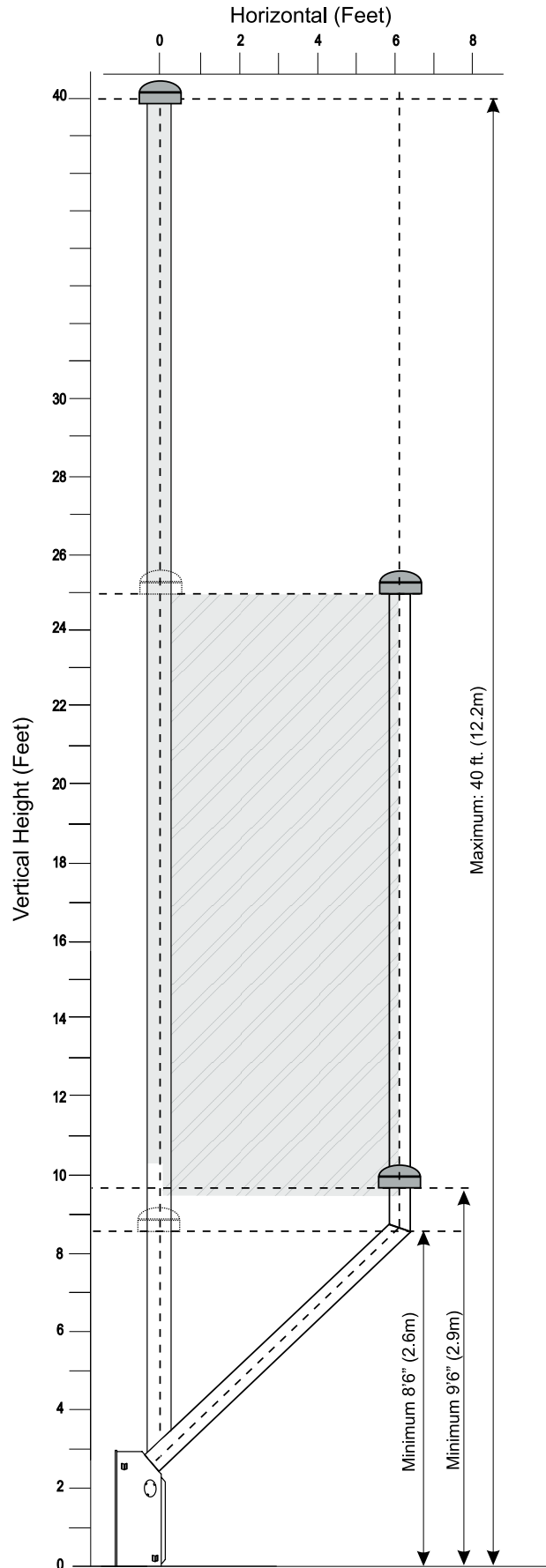
- Vent must be supported at offsets.
- Firestops are required at each floor level and whenever passing through a wall.
- Maintain clearances to combustibles.

Note: Must use optional rigid pipe adapter when using rigid vent systems (Part # 510-994).

The P33-10 is approved for a maximum 40 ft. straight vertical, with **rigid pipe** vent systems for Propane and Natural Gas.

The shaded area in the diagram shows all allowable combinations of straight vertical and offset to vertical terminations with **rigid pipe** vent systems for Propane and Natural Gas. Maximum two 45° elbows allowed.

- **Vent must be supported at offsets.**
- **Firestops are required at each floor level and whenever passing through a wall.**
- **Maintain clearances to combustibles.**



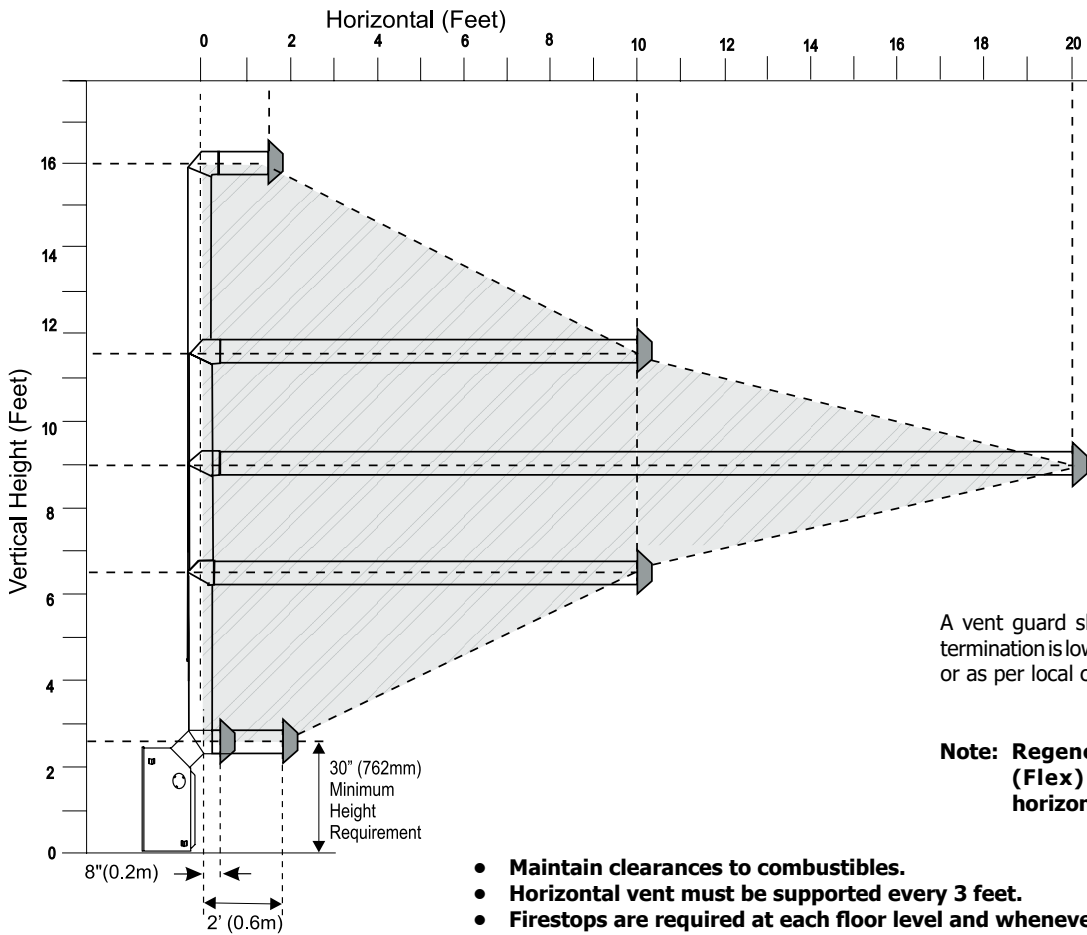
**RIGID PIPE VENTING ARRANGEMENTS**

**Horizontal Terminations**

**REGENCY® DIRECT VENT SYSTEM (FLEX) (Propane & Natural Gas)**

This diagram shows all allowable combinations of vertical runs with horizontal terminations, using one 45° and one 90° elbow (two 45° elbows equal one 90° elbow).

**Note: Must use optional rigid pipe adaptor (Part # 510-994) when using rigid pipe vent systems. (Refer "Rigid Pipe Venting Systems" Section)**

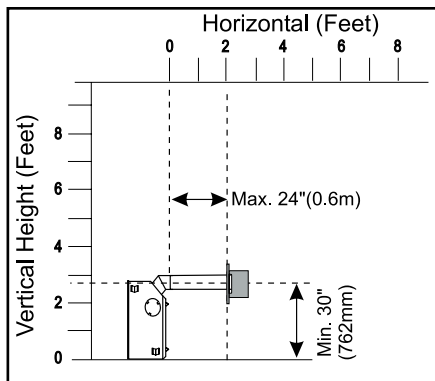


A vent guard should be used whenever the termination is lower than the specified minimum or as per local codes.

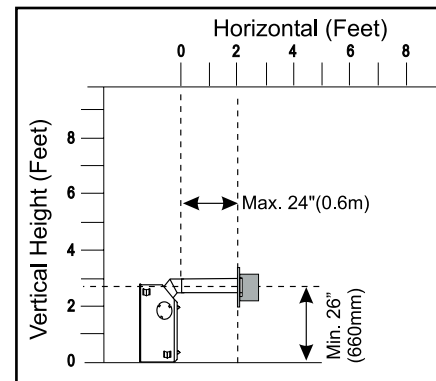
**Note: Regency® Direct Vent System (Flex) is only approved for horizontal terminations.**

- Maintain clearances to combustibles.
- Horizontal vent must be supported every 3 feet.
- Firestops are required at each floor level and whenever passing through a wall.

**Minimum Simpson Dura-Vent Centerline**



**Minimum Flex Kit Center-Line**



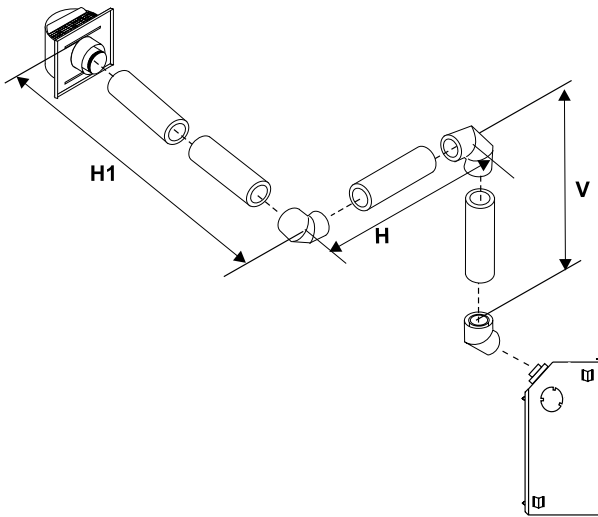
### Horizontal Venting with Two (2) 90° Elbows

One 90° elbow = Two 45° elbows.

Option	V	H + H1
A)	1' Min.	3' Max.
B)	2' Min.	4' Max.
C)	3' Min.	5' Max.
D)	4' Min.	6' Max.
E)	5' Min.	7' Max.
F)	6' Min.	8' Max.

With these options, maximum total pipe length is 30 feet with minimum of 6 feet total vertical and maximum 8 feet total horizontal.

**Please note minimum 1 foot between 90° elbows is required.**



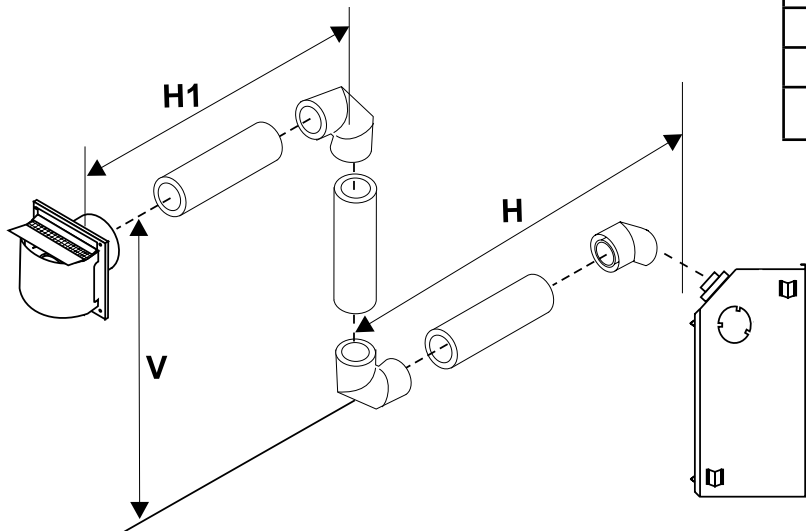
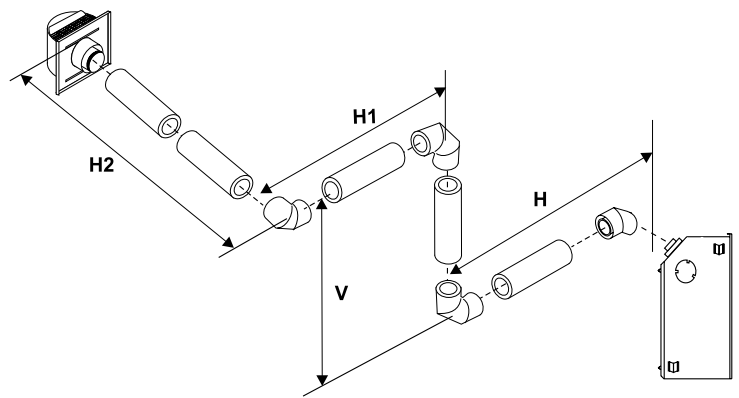
### Horizontal Venting with Three (3) 90° Elbows

One 90° elbow = Two 45° elbows.

Option	H	V	H+H1+H2
A)	1' Max.	1' Min.	3' Max.
B)	2' Max.	3' Min.	5' Max.
C)	3' Max.	5' Min.	6' Max.
D)	4' Max.	7' Min.	7' Max.
E)	5' Max.	9' Min.	8' Max.
F)	6' Max.	11' Min.	9' Max.

With these options, maximum total pipe length is 30 feet with minimum of 11 feet total vertical and maximum 9 feet total horizontal.

**Please note minimum 1 foot between 90° elbows is required.**



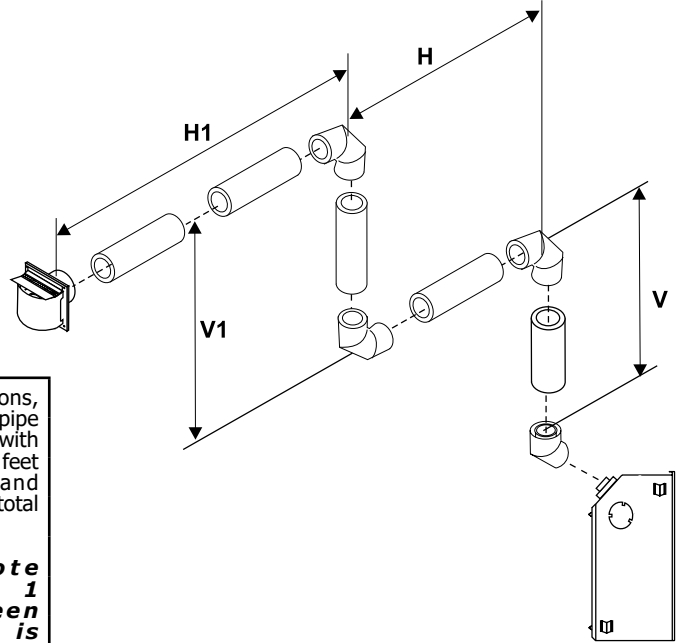
One 90° elbow = Two 45° elbows.

Option	H	V	H+H1
A)	1' Max.	1' Min.	3' Max.
B)	2' Max.	2' Min.	5' Max.
C)	3' Max.	4' Min.	6' Max.
D)	4' Max.	6' Min.	7' Max.
E)	5' Max.	8' Min.	8' Max.

With these options, maximum total pipe length is 30 feet with minimum of 8 feet total vertical and maximum 8 feet total horizontal.

**Please note minimum 1 foot between 90° elbows is required.**

**Horizontal Venting with Three (3) 90° Elbows**



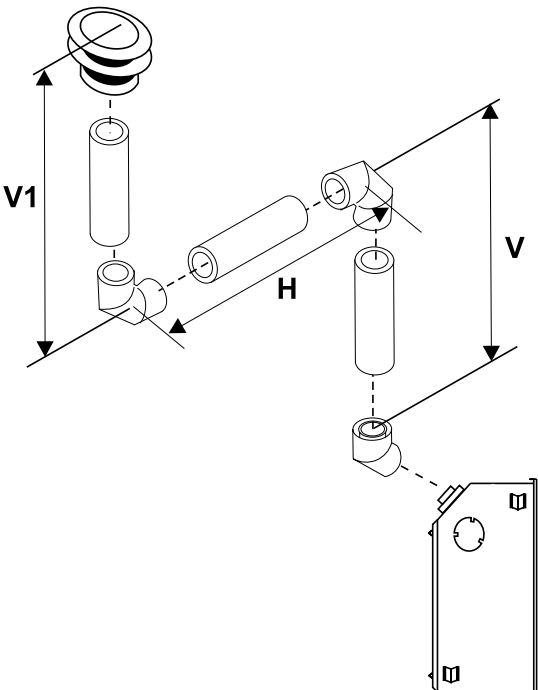
**One 90° elbow = Two 45° elbows.**

Option	V	H	V+V1	H+H1	With these options, maximum total pipe length is 30 feet with minimum of 12 feet total vertical and maximum 9 feet total horizontal.  <b>Please note minimum 1 foot between 90° elbows is required.</b>
A)	2' Min.	1' Max.	3' Min.	4' Max.	
B)	3' Min.	2' Max.	4' Min.	5' Max.	
C)	4' Min.	3' Max.	6' Min.	6' Max.	
D)	5' Min.	4' Max.	8' Min.	7' Max.	
F)	7' Min.	6' Max.	12' Min.	9' Max.	

**Vertical Venting with Two (2) 90° Elbows**

**One 90° elbow = Two 45° elbows.**

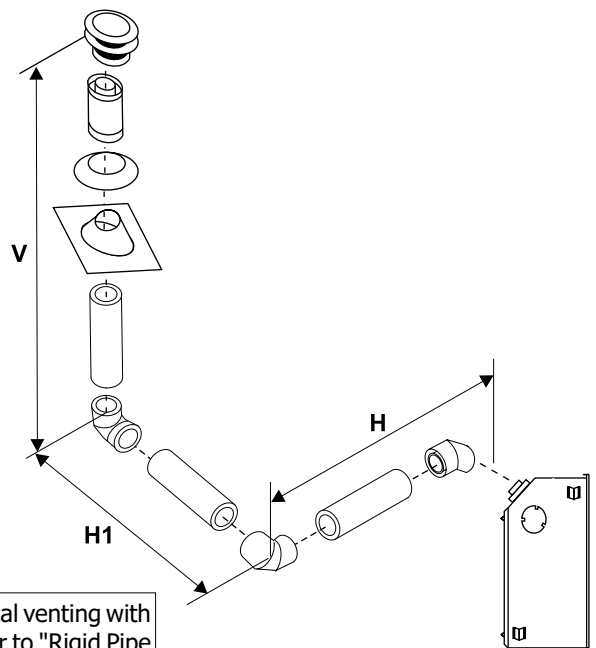
Option	V	H	V+V1	With these options, maximum total pipe length is 30 feet with minimum of 6 feet total vertical and maximum 8 feet total horizontal.  <b>Please note minimum 1 foot between 90° elbows is required.</b>
A)	1' Min.	4' Max.	2' Min.	
B)	2' Min.	5' Max.	3' Min.	
C)	3' Min.	6' Max.	4' Min.	
E)	5' Min.	8' Max.	6' Min.	



**Vertical Venting with Two (2) 90° Elbows**

**One 90° elbow = Two 45° elbows.**

Option	H + H1	V	With these options, maximum total pipe length is 30 feet with minimum of 6 feet total vertical and maximum 6 feet total horizontal.  <b>Please note minimum 1 foot between 90° elbows is required.</b>
A)	2' Max.	2' Min.	
B)	3' Max.	3' Min.	
C)	4' Max.	4' Min.	
E)	6' Max.	6' Min.	



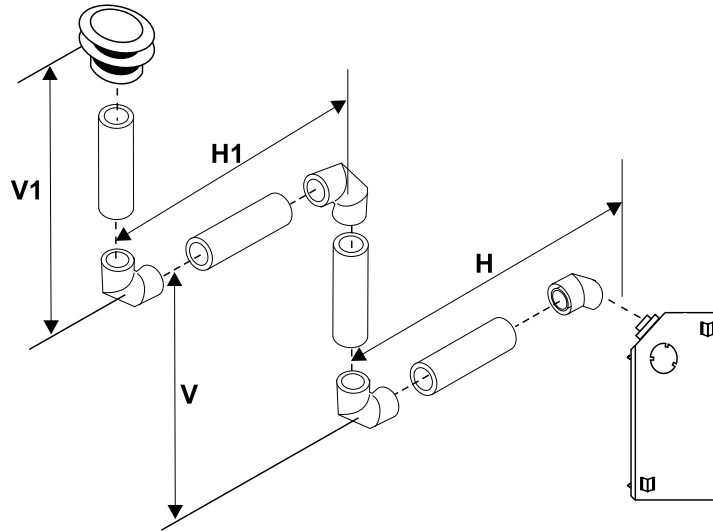
For additional vertical venting with 2 x 90° elbows, refer to "Rigid Pipe Venting Arrangements" Section.

### Vertical Venting with Three (3) 90° Elbows

One 90° elbow = Two 45° elbows.

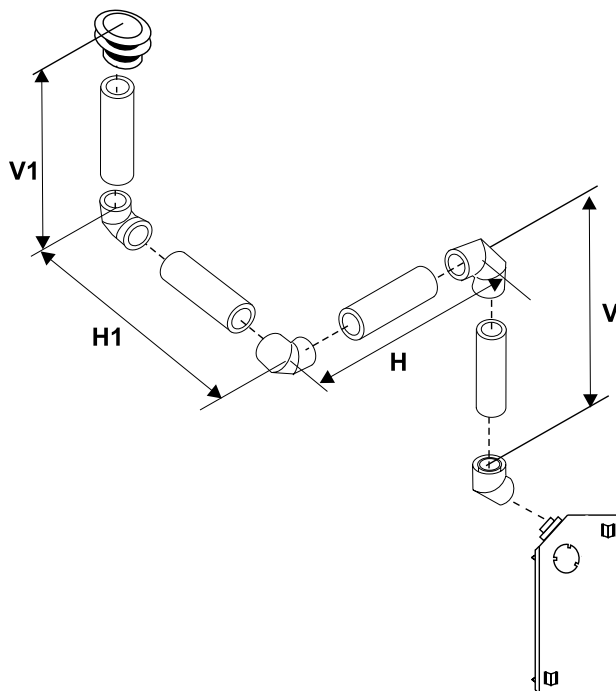
Option	H	V	H + H1	V + V1
A)	1' Max.	1' Min.	3' Max.	3' Min.
B)	2' Max.	2' Min.	4' Max.	5' Min.
C)	3' Max.	3' Min.	5' Max.	7' Min.
D)	4' Max.	4' Min.	6' Max.	9' Min.
E)	5' Max.	5' Min.	7' Max.	11' Min.

With these options, max. total pipe length is 30 feet with min. of 11 feet total vertical and max. 7 feet total horizontal.  
**Please note min. 1 foot between 90° elbows is required.**



### Vertical Venting with Three (3) 90° Elbows

One 90° elbow = Two 45° elbows.



Option	V	H + H1	V + V1
A)	2' Min.	3' Max.	4' Min.
B)	3' Min.	4' Max.	6' Min.
C)	4' Min.	5' Max.	7' Min.
D)	5' Min.	6' Max.	8' Min.
E)	6' Min.	7' Max.	9' Min.
F)	7' Min.	8' Max.	10' Min.

With these options, max. total pipe length is 30 feet with min. of 10 feet total vertical and max. 8 feet total horizontal.  
**Please note min. 1 foot between 90° elbows is required.**

## VERTICAL TERMINATION WITH CO-LINEAR FLEX SYSTEM IN A MASONRY CHIMNEY

**THE APPLIANCE MUST NOT BE CONNECTED TO A CHIMNEY FLUE SERVING A SEPARATE SOLID FUEL BURNING APPLIANCE.**

This appliance is designed to be attached to two 3" (76mm) co-linear aluminium flex running the full length of the chimney. See the "Venting Arrangements - Vertical Terminations" Section for minimum and maximum heights.

**Required Parts:**

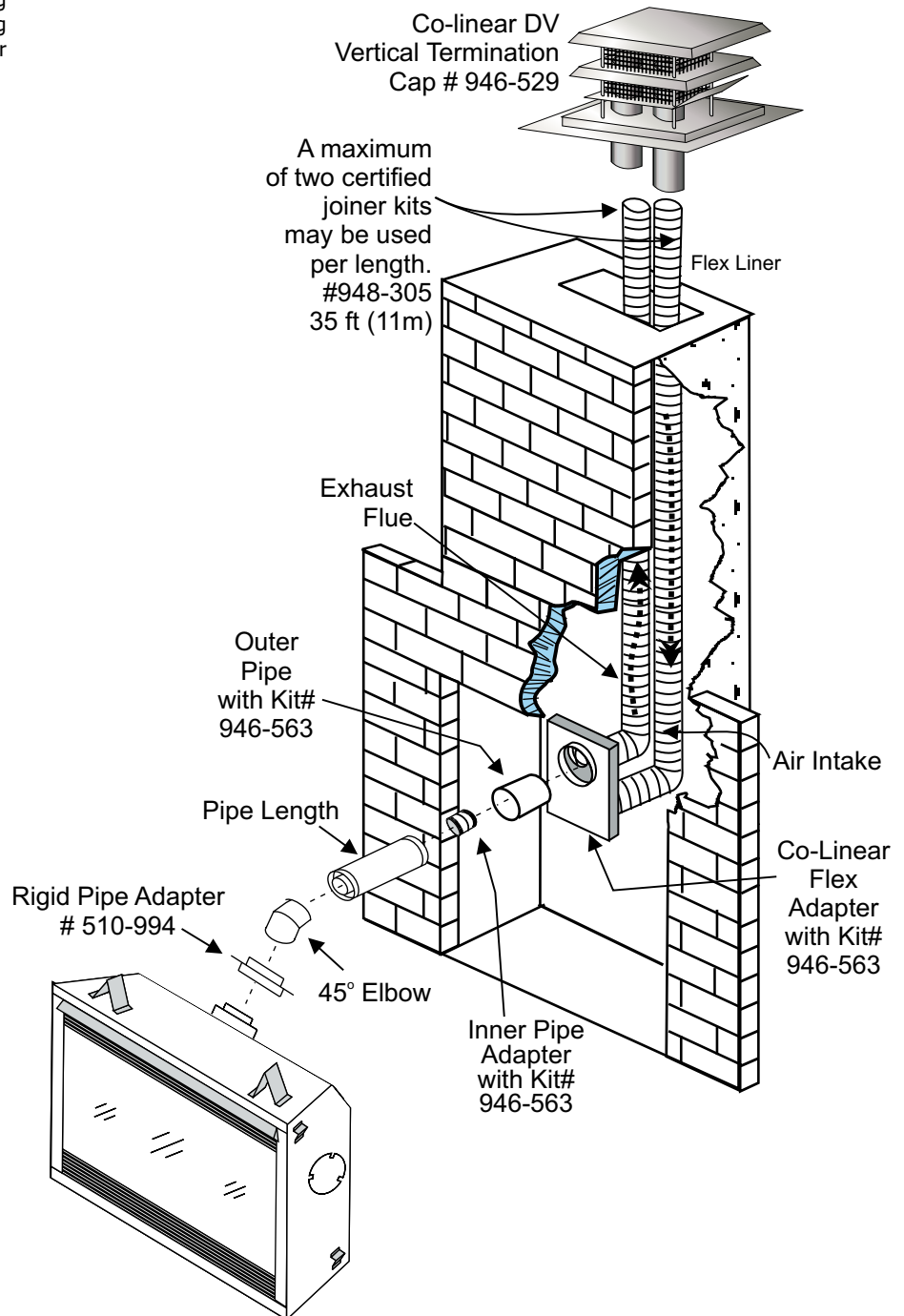
Part #	Description
946-529	Co-linear DV Vertical Termination Cap
948-305	3" Flex - 35 ft.
946-563	Co-Axial to Co-Linear Adapter Kit which contains the following: Co-linear Flex Adapter Outer Pipe Inner Pipe Adapter
510-994	Rigid Pipe Adaptor
46DVA-E45	45° Elbow

**Alternate Approved Caps**

46dva-VC	Vertical Termination Cap
46dva-VCH	High Wind Cap
46dva-GK	3" Co-linear Adapter with flashing

Masonry chimneys may take various contours which the flexible liner will accommodate. However, **keep the flexible liner as straight as possible**, avoid unnecessary bending.

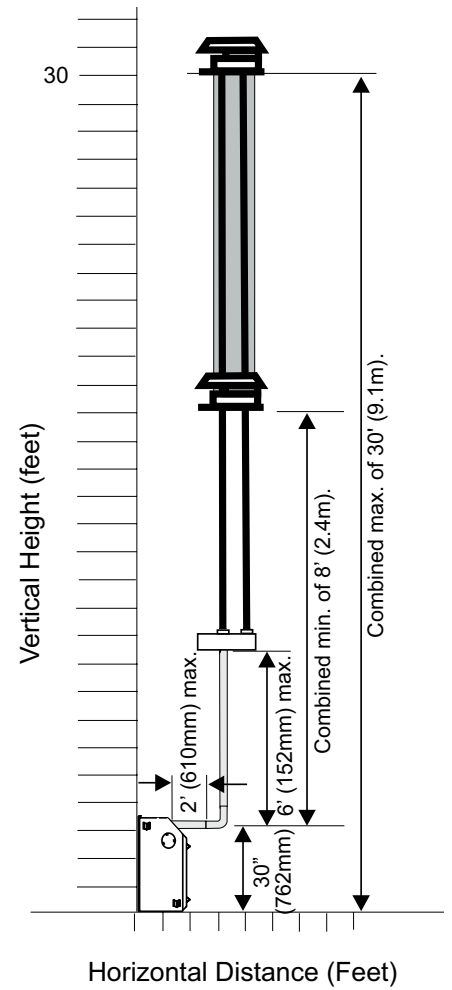
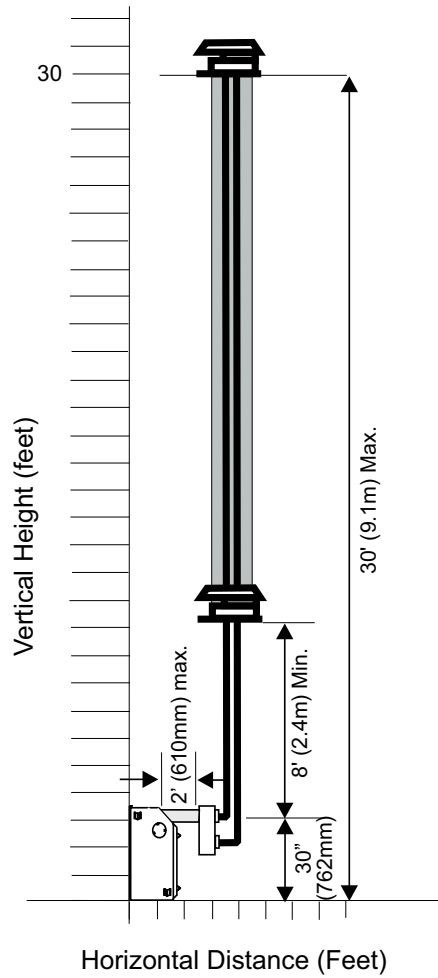
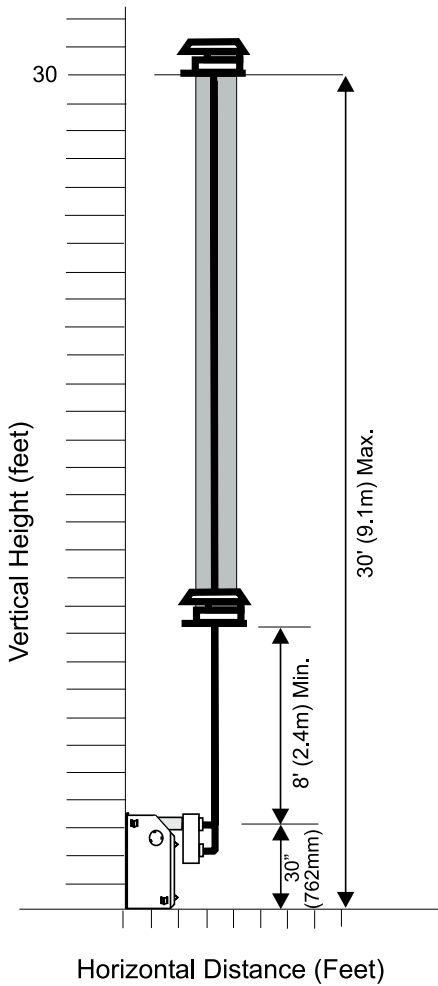
The Air Intake pipe must be attached to the inlet air collar of the termination cap.





**VENTING ARRANGEMENTS - VERTICAL TERMINATIONS**

with Co-linear Flex System for both Residential & Manufactured Homes into Masonry Fireplaces



The shaded area in the diagrams show the allowable vertical terminations.

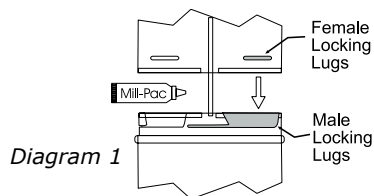
### UNIT INSTALLATION WITH HORIZONTAL TERMINATION

Install the vent system according to the manufacturer's instructions included with the components.

- 1) Set the unit in its desired location. Check to determine if wall studs or roof rafters are in the way when the venting system is attached. If this is the case, you may want to adjust the location of the unit. Rough in the gas preferably on the right side of the unit and the electrical (junction block is on the left side) on the left.
- 2) Direct Vent pipe and fittings are designed with special twist-lock connections to connect the venting system to the appliance flue outlet. A twist-lock appliance adaptor is an available option that must be used in conjunction with the Simpson Dura-Vent Direct Vent system.
- 3) Put a bead of Mill-Pac inside the outer section of the adapter and on the inner collar. Slip the adapter over the existing inner and outer flue collar and fasten to the outer collar only with the 3 supplied screws (drilling pilot holes will make this easier). Level the fireplace and fasten it to the framing using nails or screws through the nailing strips.
- 4) Assemble the desired combination of pipe and elbows to the appliance adaptor and twist-lock for a solid connection.

**Note:**

- a) Twist-lock procedure: Four indentations, located on the female ends of pipes and fittings, are designed to slide straight onto the male ends of adjacent pipes and fittings, by orienting the four pipe indentations so they match and slide in to the four entry slots on the male ends, Dia. 1. Push the pipe sections completely together, then twist-lock one section clockwise approximately one-quarter turn, until the two sections are fully locked. The female locking lugs will not be visible from the outside, on the Black Pipe or fittings. They may be located by examining the inside of the female ends.



**NOTE:** For best results and optimum performance with each approved venting system, it is highly recommended to apply "Mill-Pac" sealant (supplied) to every inner pipe connection. Failure to do so may result in drafting or performance issues not covered under warranty.

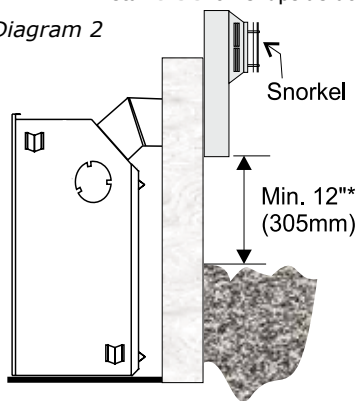
- b) Horizontal runs of vent must be supported every three feet. Wall straps are available for this purpose.

- 5) Mark the wall for a 10" x 10" square hole. The center of the square hole should line up with the centerline of the horizontal pipe. Cut and frame the 10 inch square hole in the exterior wall where the vent will be terminated. If the wall being penetrated is constructed of non-combustible material, i.e. masonry block or concrete, a 7"(178mm) diameter (7-1/2"(191mm) dia. for flex) hole is acceptable.

**Note:**

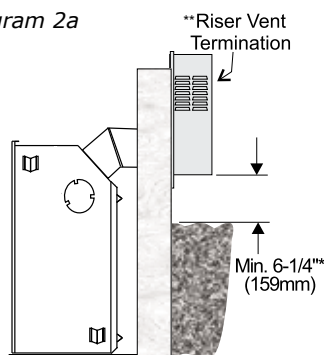
- a) The horizontal run of vent must be level, or have a 1/4 inch rise for every 1 foot of run towards the termination. Never allow the vent to run downward. This could cause high temperatures and may present the possibility of a fire.
- b) The location of the horizontal vent termination on an exterior wall must meet all local and national building codes, and must not be blocked or obstructed. See "Exterior Vent Terminal Locations" Section.
- c) **Snorkel Terminations:** For installations requiring a vertical rise on the exterior of the building, 14-inch and 36-inch tall Snorkel Terminations and the Riser Vent as shown in Dia. 2 & 2a are available. Follow the same installation procedures as used for standard Horizontal Termination. NEVER install the snorkel upside down.

Diagram 2



\*As specified in CSA B149.1 Installation Code. Local codes or regulations may require different clearances.

Diagram 2a

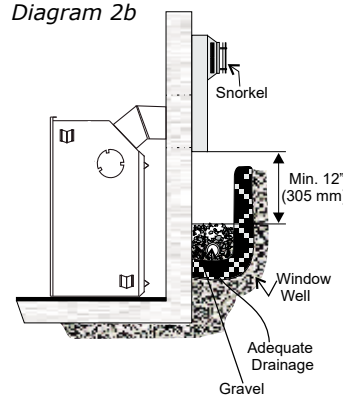


\*\*Note: Riser vent is only for use in above grade terminations.

### Below Grade Snorkel Installation

If the Snorkel Termination must be installed below grade, i.e. basement application, proper drainage must be provided to prevent water from entering the Snorkel Termination. Refer to Dura-Vent Installation instructions for details. Do not attempt to enclose the Snorkel within the wall, or any other type of enclosure. See Diagram 2b.

Diagram 2b



- 6) The arrow on the vent cap should be pointing up. Insure that the 1-1/2" clearances to combustible materials are maintained (Dia. 3). Install the termination cap. **AstroCap™** or Dura-Vent Horizontal Termination Cap may be used. The four wood screws provided should be replaced with appropriate fasteners for stucco, brick, concrete, or other types of sidings.

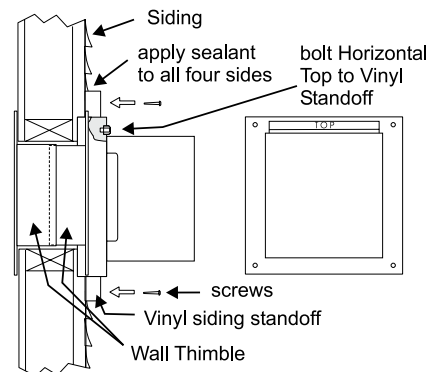


Diagram 3

**Note:** If installing termination on a siding covered wall, a vinyl siding standoff or furring strips must be used to ensure that the termination is not recessed into the siding.

- 7) Before connecting the horizontal run of vent pipe to the vent termination, slide the Wall Thimble (Part # 620-926) over the vent pipe.

- 8) Slide the appliance and vent assembly towards the wall carefully inserting the vent pipe into the vent cap assembly. It is important that the vent pipe extends into the vent cap sufficient distance so as to result in a minimum pipe overlap of 1-1/4 inches. Secure the connection between the vent pipe and the vent cap 3 sheet metal screws.
- 9) Install wall thimble in the center of the 10" square and attach with wood screws (Diagram 4).

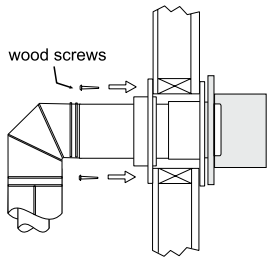


Diagram 4

## UNIT INSTALLATION WITH VERTICAL TERMINATION

- 1) Maintain the 1-1/2" clearances (air spaces) to combustibles when passing through ceilings, walls, roofs, enclosures, attic rafter, or other nearby combustible surfaces. Do not pack air spaces with insulation. Check "Venting" Sections for the maximum vertical rise of the venting system and the maximum horizontal offset limitations.

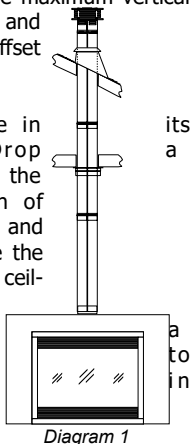


Diagram 1

- 2) Set the gas appliance in desired location. Drop plumb bob down from the ceiling to the position of the appliance flue exit, and mark the location where the vent will penetrate the ceiling. Drill a small hole at this point. Next, drop plumb bob from the roof the hole previously drilled the ceiling, and mark the spot where the vent will penetrate the roof.

- 3) A Firestop spacer must be installed in the floor or ceiling of every level. To install the Firestop spacer in a flat ceiling or wall, cut a 10 inch square hole. Frame the hole as shown in Diagram 2 and install the firestop.

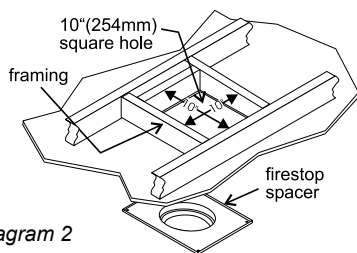
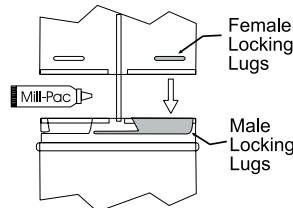


Diagram 2

- 4) Assemble the desired lengths of pipe and elbows. Ensure that all pipes and elbow connections are in the fully twist-locked position and sealed.



**NOTE:** For best results and optimum performance with each approved venting system, it is highly recommended to apply "Mill-Pac" sealant (supplied) to every inner pipe connection. Failure to do so may result in drafting or performance issues not covered under warranty.

- 5) Cut a hole in the roof centered on the small drilled hole placed in the roof in Step 2. The hole should be of sufficient size to meet the minimum requirements for clearance to combustibles of 1-1/2". Slip the flashing under the shingles (shingles should overlap half the flashing) as per Diagram 3.

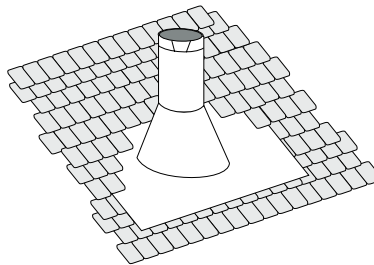


Diagram 3: The upper half of the flashing is installed under the roofing material and not nailed down until the chimney is installed. This allows for small adjustments.

- 6) Continue to assemble pipe lengths.

**Note:** If an offset is necessary in the attic to avoid obstructions, it is important to support the vent pipe every 3 feet, to avoid excessive stress on the elbows, and possible separation. Wall straps are available for this purpose.

Galvanized pipe is desirable above the roofline due to its higher corrosion resistance. Continue to add pipe sections through the flashing until the height of the vent cap meets the minimum height requirements specified in Dia. 4 or local codes. Note that for steep roof pitches, the vertical height must be increased. A poor draft, or down drafting can result from high wind conditions near big trees or adjoining roof lines, in these cases, increasing the vent height may solve the problem.

- 7) Ensure vent is vertical and secure the base of the flashing to the roof with roofing nails, slide storm collar over the pipe section and seal with a mastic.

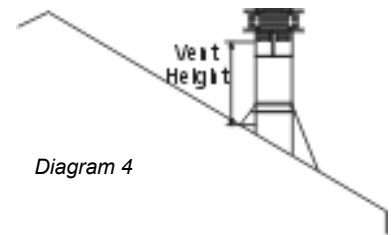


Diagram 4

Roof Pitch	Minimum Vent Height	
	Feet	Meters
flat to 7/12	2	0.61
over 7/12 to 8/12	2	0.61
over 8/12 to 9/12	2	0.61
over 9/12 to 10/12	2.5	0.76
over 10/12 to 11/12	3.25	0.99
over 11/12 to 12/12	4	1.22
over 12/12 to 14/12	5	1.52
over 14/12 to 16/12	6	1.83
over 16/12 to 18/12	7	2.13
over 18/12 to 20/12	7.5	2.29
over 20/12 to 21/12	8	2.44

- 8) Install the vertical termination cap by twist-locking it.

Note: Any closets or storage spaces, which the vent passes through must be enclosed.

## GAS LINE INSTALLATION

The gas line is brought through the right side of the appliance. The gas valve is situated on the right hand side of the unit and the gas inlet is on the right hand side of the valve.

The gas line connection may be made of rigid pipe, copper pipe or an approved flex connector. (If you are using rigid pipe, ensure that the valve can be removed for servicing.) Since some municipalities have additional local codes it is always best to consult with your local authorities and the CSA B149.1 installation code.

For USA installations follow local codes and/or the current National Fuel Gas Code, ANSI Z223.1.

When using copper or flex connectors use only approved fittings. Always provide a union so that gas lines can be easily disconnected for servicing. Flare nuts for copper lines and flex connectors are usually considered to meet this requirement.

**Important:** Always check for gas leaks with a soap and water solution or gas leak detector. Do not use open flame for leak testing.

## VERTICAL TERMINATION

### 4" X 6-7/8" VENTING - VERTICAL FLEX VENT KIT (946-755)

- Maintain the 1-1/2" (38 mm) clearance (air space) to combustibles when passing through ceilings, walls, floors, enclosures, attic rafters or other nearby combustibles. Do not pack air spaces with insulation. Check Venting sections for the maximum vertical rise of the venting system and the maximum horizontal offset limitations. Ensure that you maintain clearances around enclosures, walls, below or above floors, floor joists, etc. Each appliance has different clearance requirements (top,sides,bottom). See specific appliance manual for details.
- Set the appliance in its desired position. Drop a plumb bob down from the ceiling/floor joist to the position of the appliance flue exit and mark the location where the vent will penetrate the ceiling. Drill a small hole at this point. Next drop a plumb bob from the roof to the hole previously drilled at the ceiling level and mark the spot where the vent will penetrate the roof.
- Cut a hole in the roof centered on the small hole placed in the roof in the previous steps. The hole should be a minimum of 10-1/4 (260 mm) inches. The hole may be round and or square.
- Slip the flashing under the shingles and line up flashing so it is centered to the hole (shingles should overlap half of the flashing) as per Diagram 1.

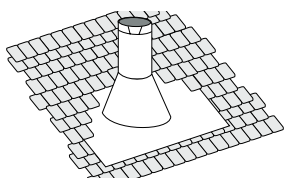


Diagram 1: The upper half of the flashing is installed under the roofing material and not nailed down until the chimney is installed. This allows for small adjustments.

Diagram 1

- A ceiling firestop/firestop spacer must be installed when passing through each floor or ceiling level. To install the ceiling firestop spacer in a flat ceiling or floor joist cut a 10- 1/4 (260 mm) inch square hole. Frame the hole as show in Diagram 1 and install the ceiling firestop. Slide the top attic insulation spacer onto the top of the attic insulation shield/firestop - See Diagram 1a. Secure with 4 screws/nails. If more than one is required, these can be purchased separately.

**Note:** The ceiling firestop/firestop spacer may be cut down to size if this shield is too high for the application.

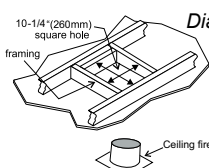


Diagram 2

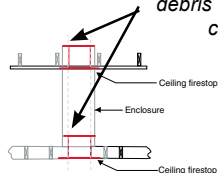


Diagram 2a

Firestop spacer to prevent debris from falling into the ceiling firestop

- Determine the overall height of the chimney from the top of the appliance to the underside of the flashing. If required cut the flexible inner and outer pipe to the desired length up to a maximum of 20 feet (6.1 m).
- Put a bead of Mill-Pac around the 4 inch (102 mm) collar on the appliance and slide the inner flex pipe over the inner collar of the appliance and secure with a minimum of 3 screws.
- Install 4 inch spacers around 4 inch (102 mm) flex.
- Repeat Step 7 to install the outer pipe to the outer collar of the appliance

**Note:** If an offset is necessary in the attic or floor joists it is important to support the vent pipe every 3 feet (0.91 m) to avoid excessive stress and sagging of the vent pipe. Wall straps are provided (3 in total) for this purpose. All round/plumbers strapping may also be used if further supports are required.

- Attach the rigid pipe section to the adaptor by using Mill-Pac on the inner/ outer pipe. Use 3 screws to secure outer pipe.

- Secure inner flex pipe to pipe adaptor by using Mill-Pac over the adaptor. Slide the inner pipe over adaptor and secure with 3 screws.
- Repeat Step 11 to secure outer flex.
- Slide the finished length up towards the flashing ensuring the length of pipe is a minimum of 2 feet (0.61 m) measured from the top of the roof. Level the chimney and secure using the roof support provided with kit to bottom side of the roof as shown using a minimum of 2 screws per side-see Diagram 3b. See Diagram 4 for roof pitch and height requirements. See Diagram 3a for securing method if 2 ft. (0.61 m) is insufficient and additional lengths are required, this may be purchased separately. See Simpson Duravent components list in the instruction manual for part numbers.

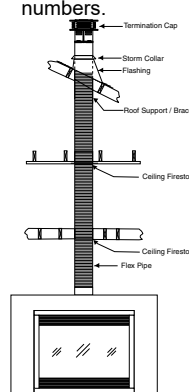


Diagram 3

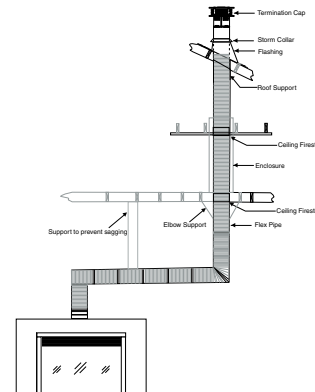


Diagram 3a

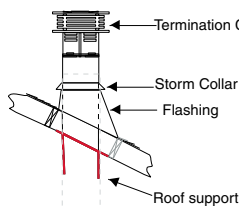


Diagram 3b

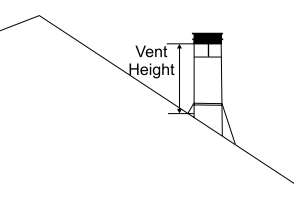


Diagram 4

Roof Pitch	Minimum Vent Height	
	Feet	Meters
flat to 7/12	2	0.61
over 7/12 to 8/12	2	0.61
over 8/12 to 9/12	2	0.61
over 9/12 to 10/12	2.5	0.76
over 10/12 to 11/12	3.25	0.99
over 11/12 to 12/12	4	1.22
over 12/12 to 14/12	5	1.52
over 14/12 to 16/12	6	1.83
over 16/12 to 18/12	7	2.13
over 18/12 to 20/12	7.5	2.29
over 20/12 to 21/12	8	2.44

- Put a bead of caulking on the exterior between the outer pipe and flashing to prevent water from penetrating the chimney system.
- Slide storm collar over pipe length until it reaches the flashing.
- Install termination cap by twist locking it.
- Secure the flashing to the roof using screws

**Note:** Any closets or storage spaces which the vent passes through must be enclosed.

## VERTICAL FLUE EXTENSION KIT (PART #946-756)

### 20 foot (6.1 m) Flex pipe Extension

(Used in conjunction with the 946-755 Vertical Flex kit and 948-367/P flex to flex adaptor).

1. Stretch out both inner 4" (102 mm) and outer 6 7/8" (175 mm) pipe up to a maximum of 20 feet.

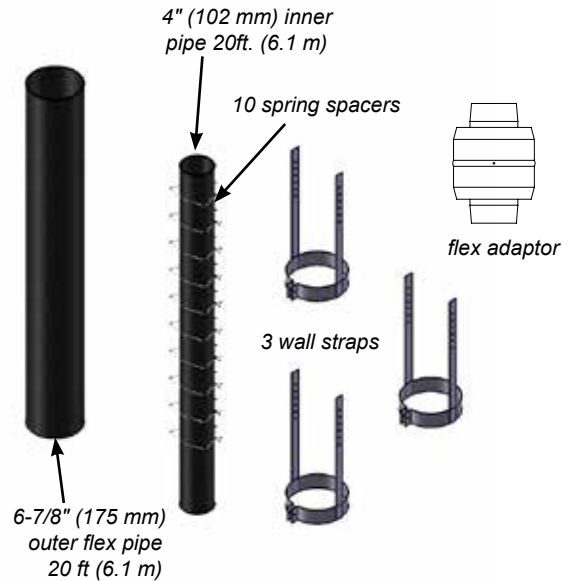
**Note:** The inner and outer pipes may be cut if only a short length is required.

2. Install spring spacers around 4" (102 mm) inner pipe as shown. Slide outer flex pipe over and all the way down the 4" pipe.
3. Apply a bead of Mill Pac around the perimeter of the 4" (102 mm) inner collar of the flex adaptor and slip the 4" (102 mm) inner flex pipe from the Vertical termination kit over the flex adaptor ensuring that the inner flex pipe overlaps the collar by at least 1-3/8" (35 mm). Fasten with 3 screws.
4. Apply a bead of Mill Pac around the perimeter of the 6-7/8" (175 mm) outer collar of the flue adaptor and slip it over the 6-7/8" (175 mm) outer flex pipe from the vertical termination kit ensuring that the outer flex pipe overlaps the collar by at least 1-3/8" (35 mm). Fasten with the 3 screws.
5. Repeat steps to secure the other end of the flex adaptor using the flex kit.

6. See Vertical Vent installation instructions for installation of the complete vent system.

**Note:** If an offset is necessary in the attic or floor joists it is important to support the vent pipe every 3 feet (0.91 m) to avoid excessive stress and sagging of the vent pipe. Wall straps are provided (3 in total) for this purpose.

All round/plumbers strapping may also be used if further supports are required.



## CEILING FIRESTOP / FIRESTOP SPACER (PART #946-757)

Used in conjunction with the 946-755 Vertical Flex Kit and the 946-756 Vertical Flex Extension Kit/Horizontal Power Vent Kit.

A ceiling firestop/firestop spacer must be installed when passing through each floor or ceiling level. To install the ceiling firestop/firestop spacer in a flat ceiling or floor joist, cut a 10- 1/4 inch square hole, frame it as show in Diagram 1, and install the ceiling firestop. Slide the top attic insulation spacer onto the top of the attic insulation shield/firestop (see Diagram 1a). Secure with 4 screws/nails. If more than one firestop is required, these can be purchased separately.

**NOTE** • The ceiling firestop/firestop spacer may be cut down to size if the shield is too high for the application.

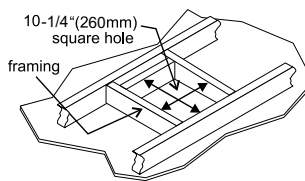


Diagram 1

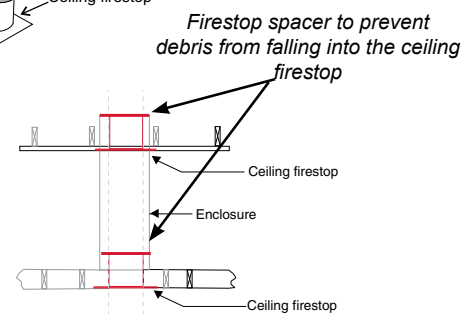


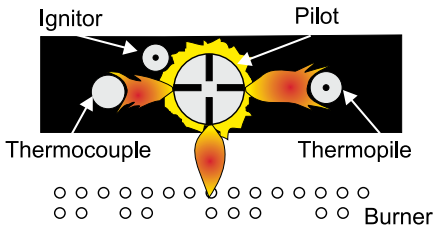
Diagram 1a



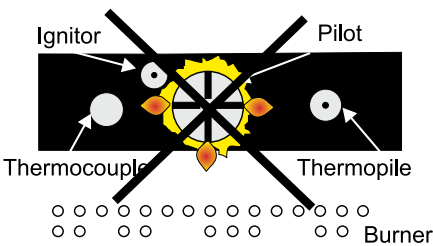
### PILOT ADJUSTMENT

Periodically check the pilot flames. Correct flame pattern has three strong blue flames: 1 flowing around the thermopile, 1 around the thermocouple and 1 flowing across the burner (it does not have to be touching the burner).

**Note: If you have an incorrect flame pattern, contact your FPI dealer for further instructions.**



Incorrect flame pattern will have small, probably yellow flames, not coming into proper contact with the rear burner or thermopile or thermocouple.



### SIT 829 VALVE DESCRIPTION

- 1) Gas on/off knob
- 2) Electronically Operated Hi/Lo
- 3) Pilot Adjustment
- 4) Thermocouple Connection - **option**
- 5) Outlet Pressure Tap
- 6) Inlet Pressure Tap
- 7) Pilot Outlet
- 8) Main Gas Outlet
- 9) Alternative TC Connection Point

P33-NG10 System Data	
<b>With Flush Glass:</b>	
For 0 to 4500 feet altitude	
<b>Burner Inlet Orifice Sizes:</b> #44	
<b>Max. Input Rating</b>	20,000 Btu/h
<b>Min. Input Rating</b>	14,000 Btu/h
<b>Supply Pressure</b>	min.5.0" w.c.
<b>Manifold Pressure (High)</b>	3.5"+/- 0.2" w.c.

P33-LP10 System Data	
<b>With Flush Glass:</b>	
For 0 to 4500 feet altitude	
<b>Burner Inlet Orifice Sizes:</b> #55	
<b>Max. Input Rating</b>	19,500 Btu/h
<b>Min. Input Rating</b>	15,500 Btu/h
<b>Supply Pressure</b>	min.11.0" w.c.
<b>Manifold Pressure (High)</b>	10"+/- 0.2"w.c.

### HIGH ELEVATION

This unit is approved in Canada for altitude to 4500 ft. (CSA 2.17). For Natural Gas installations above 4500 ft. follow current CSA B149.1.

### GAS PIPE PRESSURE TESTING

The appliance must be isolated from the gas supply piping system by closing its individual manual shut-off valve during any pressure testing of the gas supply piping system at test pressures equal to or less than 1/2 psig. (3.45 kPa). Disconnect piping from valve at pressures over 1/2 psig.

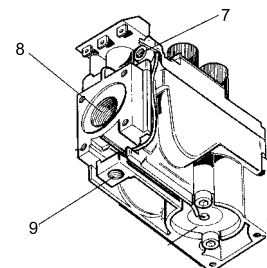
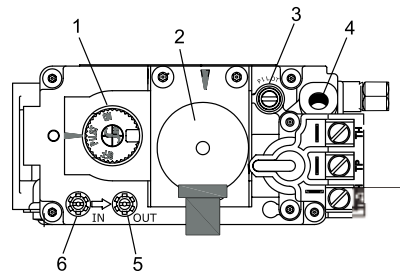
The manifold pressure is controlled by a regulator built into the gas control, and should be checked at the pressure test point.

**Note: To properly check gas pressure, both inlet and manifold pressures should be checked using the valve pressure ports on the valve.**

- 1) Make sure the valve is in the "OFF" position.
- 2) Loosen the "IN" and/or "OUT" pressure tap(s), turning counterclockwise with a 1/8" wide flat screwdriver.
- 3) Attach manometer to "IN" and/or "OUT" pressure tap(s) using a 5/16" ID hose.
- 4) Light the pilot and turn the valve to "ON" position.
- 5) The pressure check should be carried out with the unit burning and the setting should be within the limits specified on the safety label.
- 6) When finished reading manometer, turn off the gas valve, disconnect the hose and tighten the screw (clockwise) with a 1/8" flat screwdriver. **Note: Screw should be snug, but do not over tighten.**

### S.I.T. VALVE DESCRIPTION

- 1) Gas on/off knob
- 2) Manual high/low adjustment
- 3) Pilot Adjustment
- 4) Thermocouple Connection - **option**
- 5) Outlet Pressure Tap
- 6) Inlet Pressure Tap
- 7) Pilot Outlet
- 8) Main Gas Outlet
- 9) Alternative TC Connection Point



**CONVERSION FROM NG TO LP**  
For P33-10 Using SIT 829 NOVA Gas Valve

**THIS CONVERSION MUST BE DONE BY A QUALIFIED GAS FITTER IF IN DOUBT DO NOT DO THIS CONVERSION !!**

**Each Kit contains one LP Conversion Kit**

**LP Conversion Kit Contains:**

Qty.	Part #	Description
1	904-575	Burner Orifice #55
1	910-582	Stepper Motor
1	918-590	Decal "Converted to LPG"
1	908-528	Red "LPG" label
1	904-529	5/32" Allen Key
1	910-037	LPG Injector (Pilot Orifice)
1	919-466	Instruction Sheet

**Installation of the LPG Conversion Kit:**

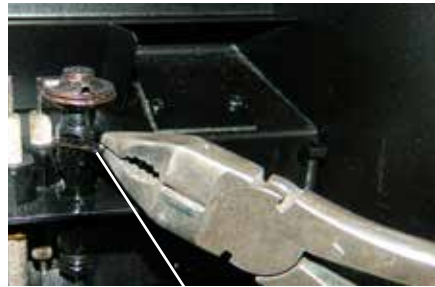
1. Shut off the gas and electrical supply.
2. a) Remove the faceplate if installed.
  - b) Remove the safety screen and glass door- see manual for detailed instructions.
  - c) Remove the logs, embers, and brick panels (if installed).
  - d) Remove the 2 screws holding the Burner Assembly to the firebox base. Push the Burner Assembly to the left and lift out.



Remove the 2 screws, push Burner Assembly to the left and lift out.

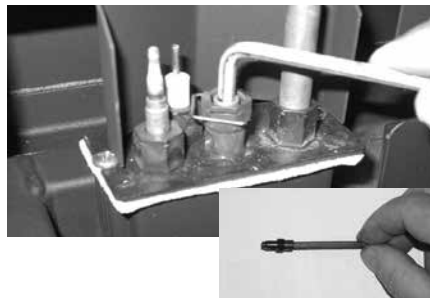


3. Remove pilot clip below pilot cap.

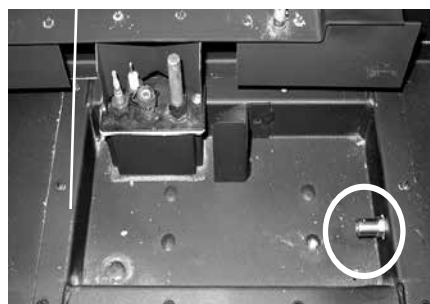


Pilot Cap Clip

4. Unscrew the pilot orifice with the Allen key and replace with the LP pilot orifice in the kit and replace pilot cap.



5. Remove burner orifice with a 1/2" wrench and discard. Use another wrench to hold on to the elbow behind the orifice.



Burner Orifice

6. Reinstall new burner orifice LPG stamped #55 and tighten.

7. Remove NG stepper motor by removing 3 screws in locations shown below—replace with LP stepper motor, secure in place with 3 screws.



Remove NG Stepper motor and replace with LP Stepper motor

8. Check for gas leaks with a proper soapy solution or leak detector.
9. Check for proper spark between the ignitor and pilot cap. Refer to "Lighting Procedure" section of the manual for lighting sequence.
10. Check pilot flames. Correct flame pattern has 3 strong blue flames. Adjustment can be made by turning the slotted screw at the top right corner of the valve. Refer to "Maintenance Instructions" section of the manual for correct flame patterns.
11. Check inlet and outlet pressures. Refer to "Gas Pipe Pressure Testing" section of the manual.
12. Reverse Steps 3 to 1.
13. Attach the label "This unit has been converted to LP" near or on top of the serial # decal.
14. Replace yellow "NG" label with red "LP" label.
15. Check operation of flame control.
16. Check for proper flame appearance and glow on logs.

**Installer Notice:**  
**These instructions must be left with the appliance.**



**OPTIONAL ENAMEL PANELS**

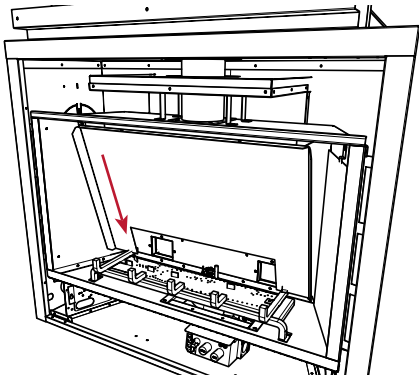
<b>Before installation, panels must be handled and cleaned as per instructions noted below:</b>
<b>Black Enamel Panels</b>
<ul style="list-style-type: none"> <li>• Black Enamel panels must be inspected for scratches and dimples prior to installation. All claims to be recorded at this time. Claims for damage after installation will not receive consideration.</li> </ul>
<ul style="list-style-type: none"> <li>• Black Enamel panels will discolor a little during normal operation. This is normal and should not be considered a defect.</li> </ul>
<p>★ All hand and finger marks <b>MUST</b> be cleaned off with a soft cloth. Use an ammonia based cleaner (ie. glass cleaner) to remove any fingerprints before applying heat to the unit.  <b>Failure to do this will result in burn stain on panels which you will be unable to remove.</b> Not protected by product warranty.</p>

1. Remove Faceplate, Safety Screen if already installed.
2. Undo the bottom 2 door latches and open and remove glass door  
Remove logs.

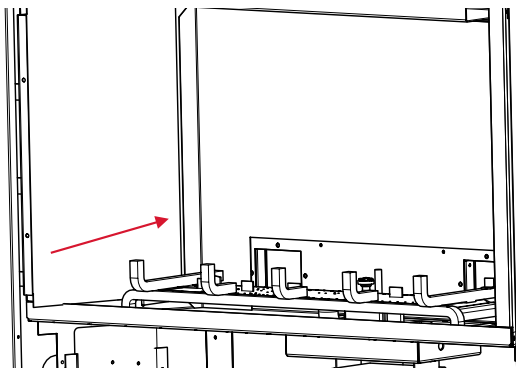
**Note:** The logs must not be in the unit.

3. Insert the back enamel panel first by carefully placing it between the back wall of the firebox and the rear log bracket.

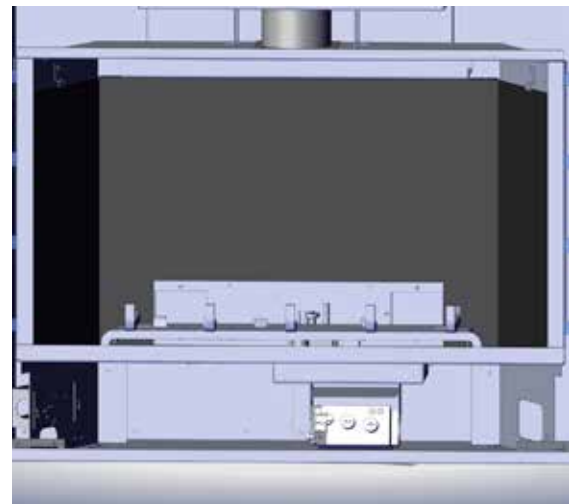
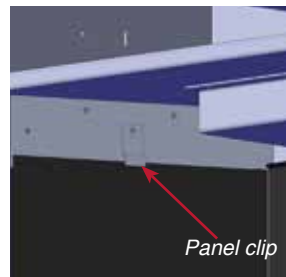
**NOTE:** the folds of the back panel should be facing inward toward the burner.



4. Install the side panel pushing it toward the back- when in position the side panel should cover the flange on the back panel. Be very careful not to scratch them on the firebox hardware.



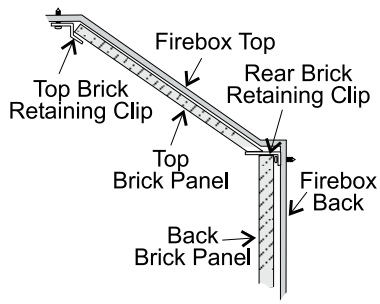
5. When panel is in position—secure with a panel clip, secured with one screw, repeat on other side to install opposite panel.



*Completed install*

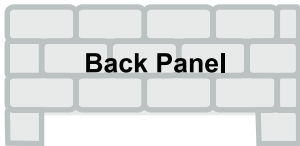
## OPTIONAL BRICK PANELS

- 1) Undo the bottom 2 door latches and open and remove glass door. Remove logs.
- 2) Attach the 2 Rear Brick Retaining clips to the rear wall. Loosen the screws in the top and rear wall of the firebox and slide the retaining clips into position (tight against the firebox top) and then tighten the screws.

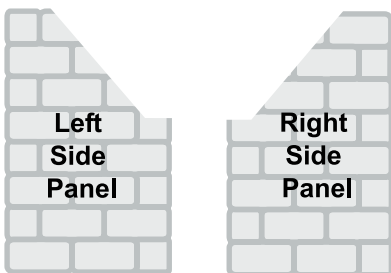


**Note: The logs must not be in the unit.**

- 3) Insert the back brick panel by carefully slipping it between the back wall of the firebox and the rear log bracket.



- 4) Put the side panels in next. Slide them in from the front and push them flat up against the wall. Be very careful not to scratch them on the firebox hardware.



- 5) Slide the Top Brick Panel into position and slide the Top Brick Retaining clips so that they hold the Top Brick Panel in place and tighten down the screws.



## OAK LOG SET INSTALLATION

**Read the instructions below carefully and refer to the diagrams. If logs are broken do not use the unit until they are replaced. Broken logs can interfere with the pilot operation.**

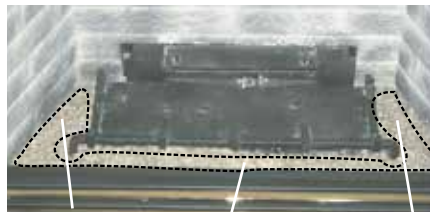
*The 3-digit numbers (i.e. 250) are molded into the rear of each log.*

Log Kit # 431-930 contains the following pieces:

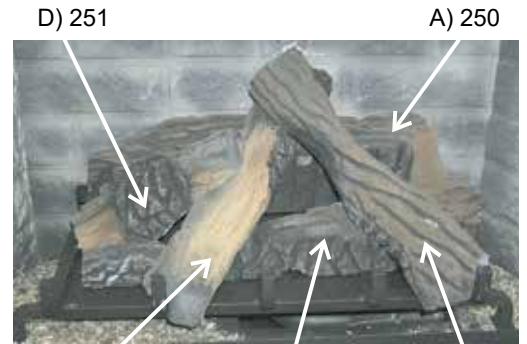
A) 250	Rear Log	
B) 254	Middle Cross Log	
C) 253	Front Left Cross Log	
D) 251	Rear Left Log	
E) 252	Front Right Cross Log	
F)	Embers	902-156
G)	Vermiculite	902-179
H)	Rock Wool	902-153
I)	Platinum Embers	946-669
	(supplied with packaged manual)	
J)	Embaglow Embers	946-708
	(supplied with packaged manual)	

**NOTE: If you will be installing the optional Brick Panels, install the Brick Panels prior to installing the logs.**

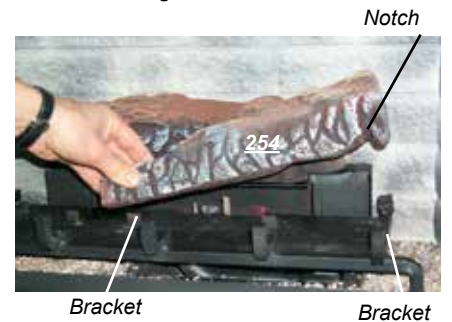
- 1) Carefully remove the logs from the box and unwrap them. The logs are fragile, handle with care - **do not force into position.**
- 2) Sprinkle the vermiculite and embers around the firebox base.



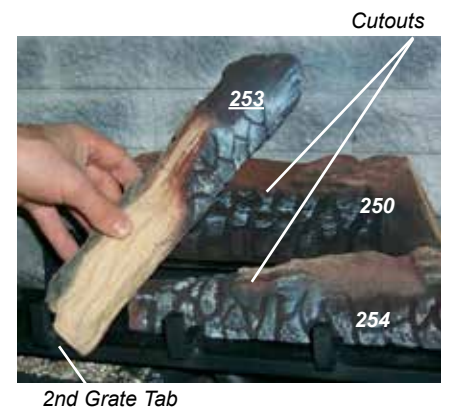
- 3) Place the Log 250 on the rear log support pins with the flat side to the back.



- 4) Place Log 254 on the front right side of the burner. Push the back of the log against the 2 brackets with the notch on the bottom right side of the log fitting into the right side of the grate.

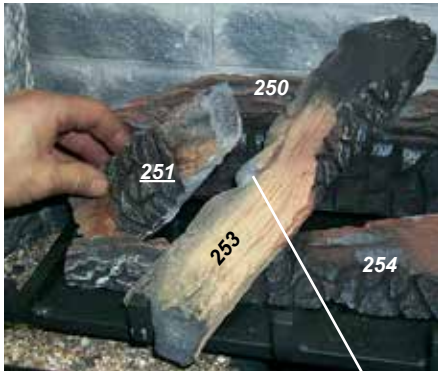


- 5) Position Log 253 across the cutouts in Logs 250 and 254 with the notch on the left side of the log fitting into the 2nd grate tab.



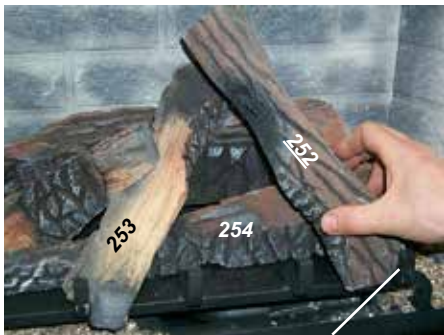


- 6) Place the bottom left front edge of Log 251 against the left edge of the burner tray and rest the log on the cutout on Log 253.



Cutout

- 7) Position Log 252 across the cutouts in Logs 254 and 253. The notch in the bottom right end fitting against the 5th grate tab.



5th Grate Tab



- 8) Pull off ember size pieces of rock wool and gently place them on the front of the burner tray in the places shown in the photo below. Do not compress the rock wool, leave it loose.

Separate platinum embers and place them on the front of the burner on and around the rock wool. Separate Embaglow embers and place over rockwool and platinum embers.



Place rock wool in these 2 locations on the burner tray.

- 9) Test fire to ensure proper light off (make sure flame flows smoothly from one end of burner to the other). If there is any flame hesitation, check that area for any blockage of the burner ports.

### STANDARD FLUSH DOOR

The standard flush door comes with a black frame. To install the frame, simply hook the top door flange onto the top of the unit and swing the door towards the unit, diagram 1. Be careful that the glass gasket does not roll up; there must be a gap between the gasket and the door lip to ensure that the door sits securely on the unit. See Diagram 2.

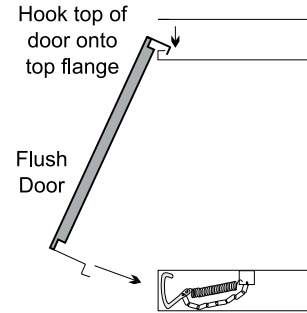
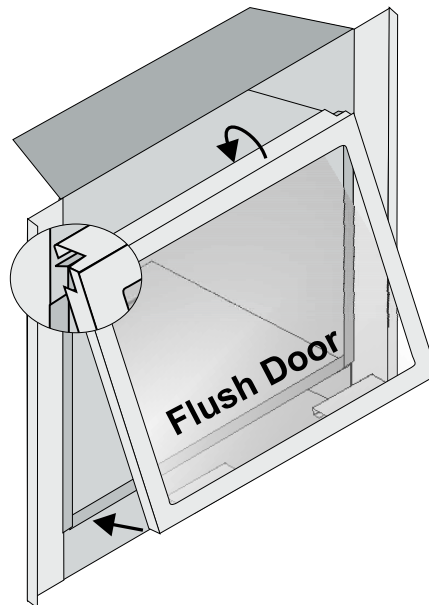


Diagram 1

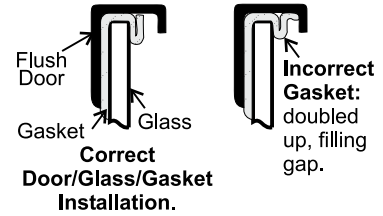


Diagram 2

Use the hook to pull the spring out until you can put the hook into the slot on the bottom door bracket. Repeat for 2nd spring. See diagram 3.

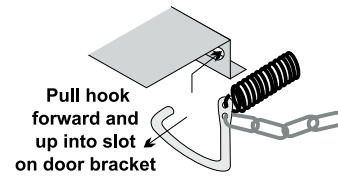


Diagram 3

To remove the flush door, reverse the above steps.



## OPTIONAL BIRCH LOG SET INSTALLATION

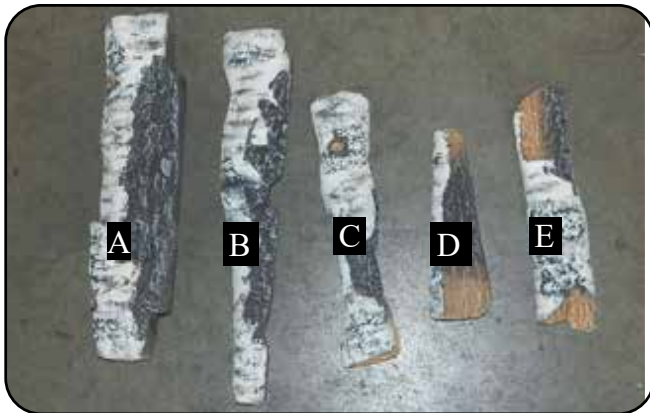
Read the instructions below carefully and refer to the images. If the logs are broken do not use the unit until they are replaced. Broken logs can interfere with pilot operation.

Improper positioning of the logs may create carbon build-up and can alter the unit's performance which is not covered under warranty.

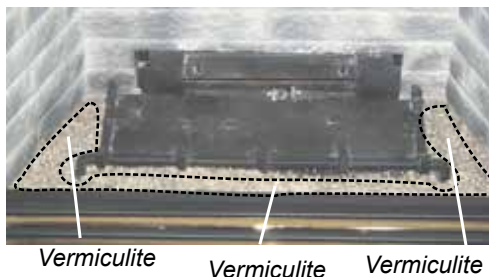
\*Paint is included if touch ups are required.

A	Rear Log
B	Middle Cross Log
C	Front Left Cross Log
D	Rear Left Log
E	Front Right Cross Log
	Embers
7	Vermiculite
	Rock wool (supplied with unit)
946-669	Platinum Embers (supplied with unit)
946-708	Embaglow Embers (supplied with unit)

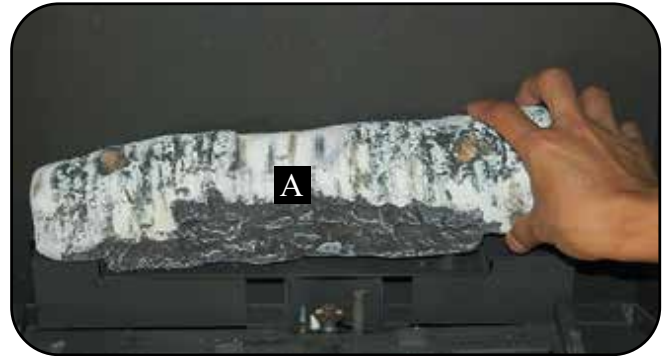
**NOTE:** If installing the optional Brick Panels, install Panels prior to installing the logs.



1. Shut off gas and electrical supply, allow unit to cool to room temperature.
2. Open the front door of the unit, see manual for detailed instructions.
3. Carefully remove the logs from the packaging and unwrap them. The logs are fragile, handle with care—never force into position.
4. Sprinkle the vermiculite and embers around the firebox base.

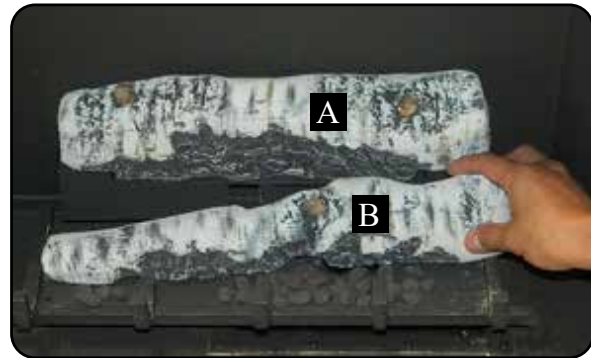


5. Install Log A by lining up the pins on the log bracket with the pin locators on Log A.



Log A - install on pins on log bracket

6. Install Log B by placing on burner as shown below.



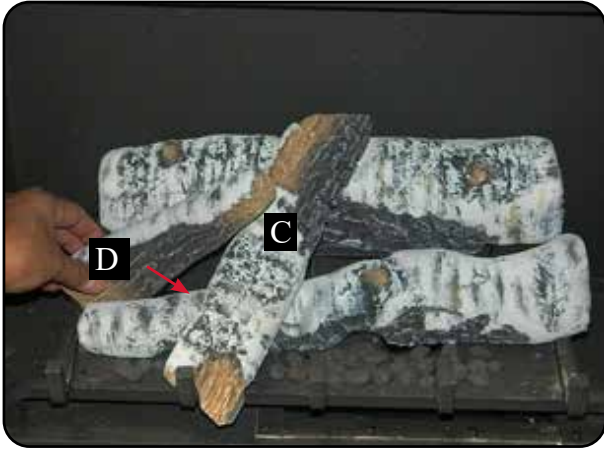
Install Log B

7. Install Log C - rest one end on the 2nd grate tab from the left and the other end will rest on Logs A + B on a diagonal as shown below.



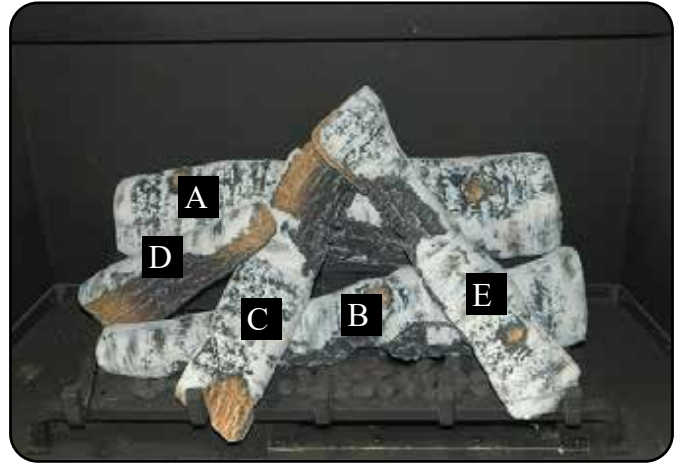
Install Log C

8. Install Log D - the wider end will rest on the left edge of the burner tray and the narrower end will rest on Log C



Log D position

11. Final install.



Final install

9. Install Log E - rest one end on Log C and the opposite end on the far right grate tab on the burner.



Log E - placement

12. Pull off ember size pieces of rock wool and gently place them on the front of the burner tray in the places shown in the photo below. Do not compress the rock wool, leave it loose.



Separate platinum embers and place them on the front of the burner on and around the rock wool. Separate embaglow embers and place over rock wool and platinum embers

13. Test fire to ensure proper light off (make sure flame flows smoothly from one end of burner to the other). If there is any flame hesitation, check that area for any burner ports blockage.

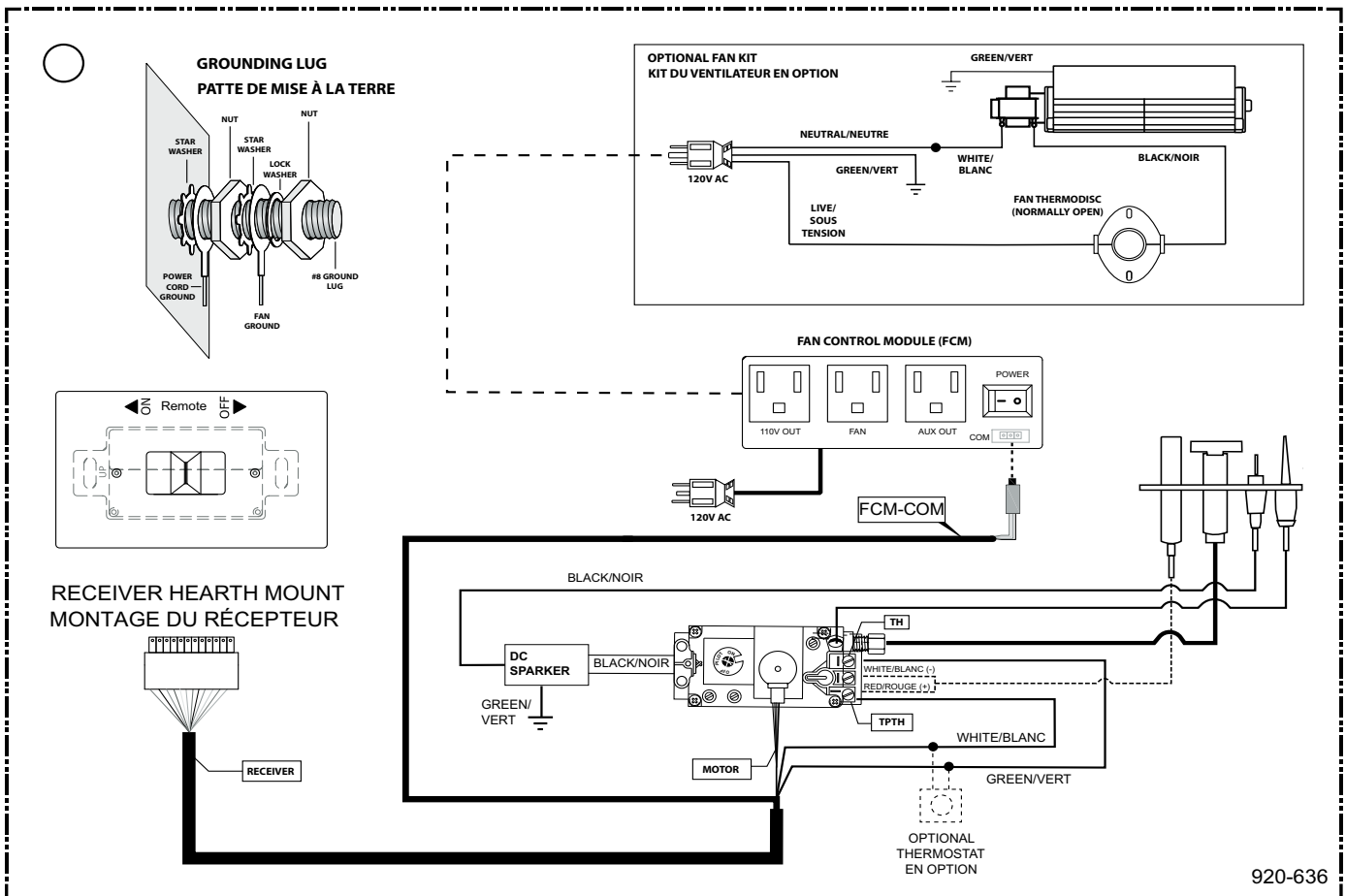
**WIRING DIAGRAMS**

This heater does not require a 120V A.C. supply for operation. In case of a power failure, the burner switch and the optional remote control/thermostat will continue to operate. However, a 120V A.C. power supply is needed for the fan/blower operation.

**(Do not cut the ground terminal off under any circumstances.)**

**NOTE: Even if the fan is not purchased with the unit, it is still a good idea to bring power to the receptacle box (provided with the unit) in case the fan is installed at a later date.**

**Note: If optional fan is not purchased, batteries are required in both remote receiver (4 x AA batteries) & remote hand held (3 x AAA batteries) in order to operate appliance using the remote control.**



**CAUTION: Label all wires prior to disconnection when servicing controls. Wiring errors can cause improper and dangerous operation.**

**Caution: Ensure that the wires do not touch any hot surfaces and are away from sharp edges.**

**OPTIONAL WALL THERMOSTAT INSTALLATION**

A wall thermostat may be installed if desired.

**Recommended: The wall thermostat should be mounted beside the Remote/Unit Receiver which comes standard with the appliance.**

1) Run wires from thermostat into the unit using the appropriate wire gauge-see chart below.

Thermostat Wire Table	
Recommended Maximum Lead Length (Two-Wire) When Using Wall Thermostat (CP-2 System)	
Wire Size	Max. Length
14 GA.	50 Ft.
16 GA.	32 Ft.
18 GA.	20 Ft.
20 GA.	12 Ft.
22 GA.	9 Ft.

**CAUTION**  
Do not wire  
Thermostat wires  
to 120V wire.

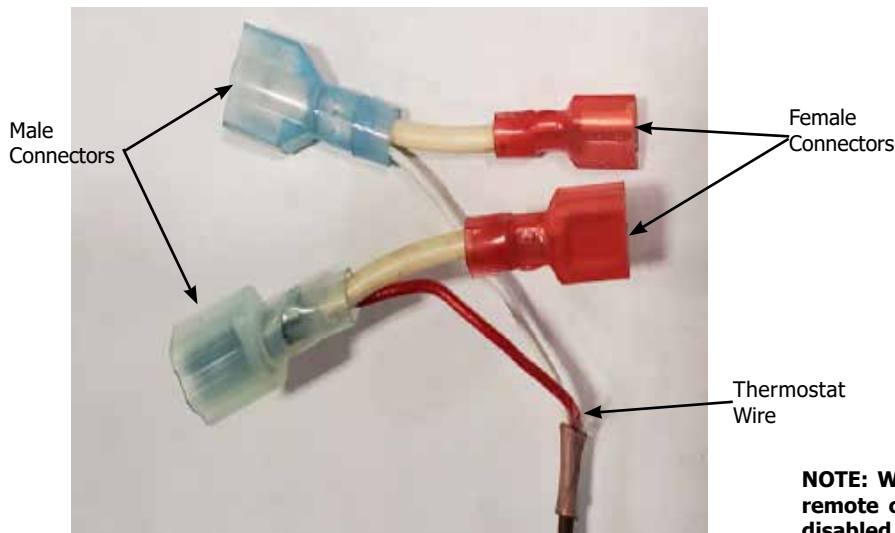
2) Remove the green and white wire connected to the valve shown below. The wires will be plugged into the TH THTP ports on the valve.

4) Connect the three way connector from step three to the valve as show below. One lead will be on TH the other on THTP. Then plug both the green and white wire into the three way connector.



3) Create a three way connector like shown below for both the green and white wire connecting one lead of the thermostat to each.

When complete both the wall thermostat and remote control will be able to operate the fireplace.



**NOTE: When the remote receiver is set to ON position, the remote control transmitter and all of its features are now disabled.**



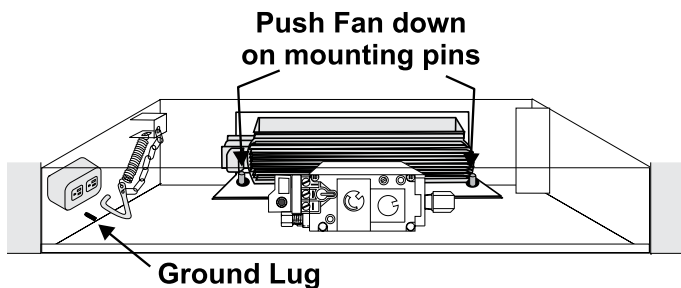
## INSTALLING THE OPTIONAL FAN

120 Volt AC power is needed for the fan. The fan can be hard wired if desired. The outlet should be installed in the receptacle box on the left hand side by a qualified electrician. The neutral (wider) slot of the polarized outlet should be at the top.

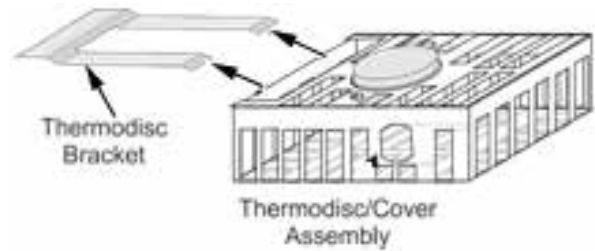
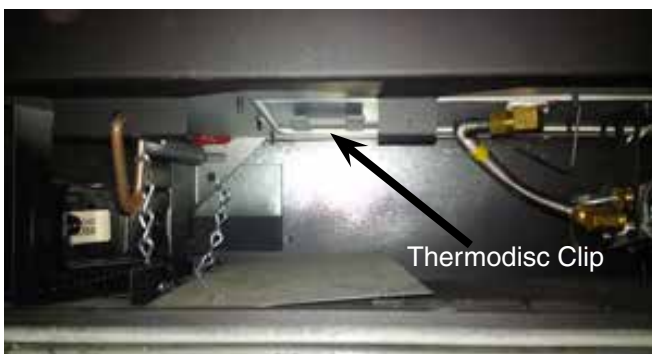
**Unit must be grounded at all times. Do not cut the ground terminal off under any circumstances.**

1. Turn off electrical supply to unit.
2. Remove safety screen and faceplate if installed.
3. Turn the fan base on its side (with base facing forward) and then slide the fan in towards the rear of the unit. Turn the fan upright and slip it over the two mounting studs. Take care not to damage the insulation on the fan base.

**Ensure the fan blades do not rub against the valve tubing.**



4. Connect the power cord and fan ground wires to the ground lug. Refer to wiring diagram.
5. Slide the thermodisc / cover assembly on to the bracket clip on the underside of the firebox.



6. Install the Fan Control Module (FCM) on the base of the unit to the left of the gas valve. Plug the FCM into the outlet.
7. Plug in the fan power cord to the Fan Control Module into the outlet marked "Fan". Plug the FCM-COM wire from the remote control wiring harness into the location on the Fan Control Module marked "COM". Turn the switch on the Fan Control Module to the ON position. ON is to the left. The "O" is the off position.



### TO REMOVE THE FAN

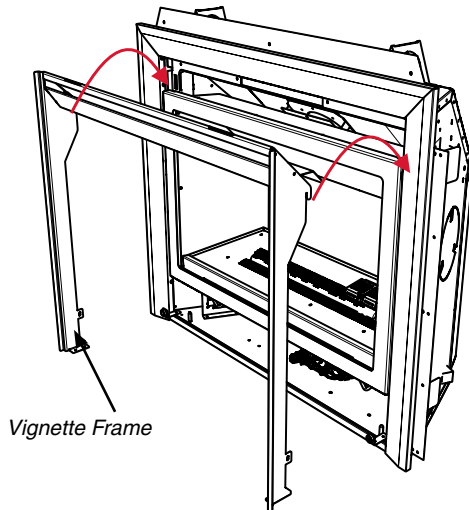
- 1) Turn the power off.
- 2) Reverse the above instructions.

**MAINTENANCE:** The sealed bearings are lubricated so there is no need to lubricate them further. Extra lubricant will cause more lint and dust to build up causing the premature failure of the bearings. Regular cleaning and vacuuming of the fan area will add to the life of the motor.

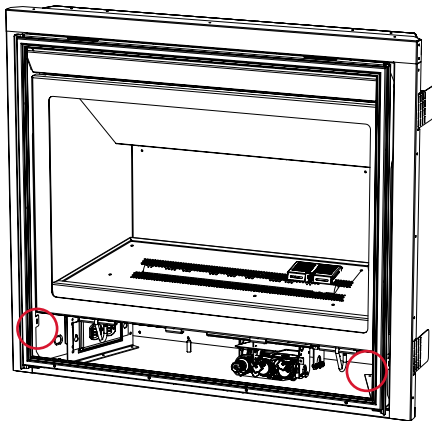
**IMPORTANT:**  
**THESE FANS COLLECT A LOT OF DUST FROM WITHIN YOUR HOME. ENSURE YOU MAINTAIN THESE FAN MOTORS ON A REGULAR BASIS BY VACUUMING THE FAN BLADES AND THE HOUSING WITH A SOFT BRUSH NOZZLE.**

### VIGNETTE FACEPLATE AND SAFETY SCREEN INSTALL

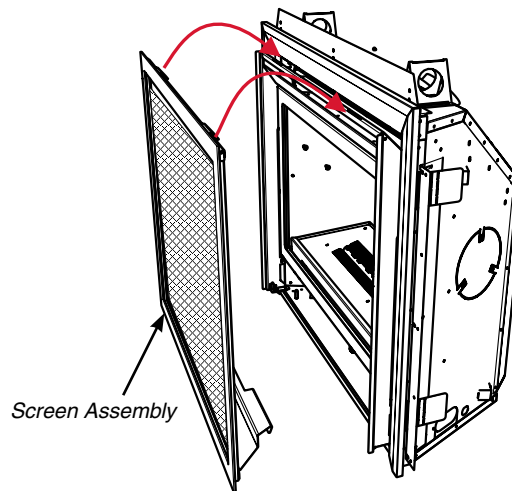
1. Hook tabs of Vignette frame onto unit in locations shown below.



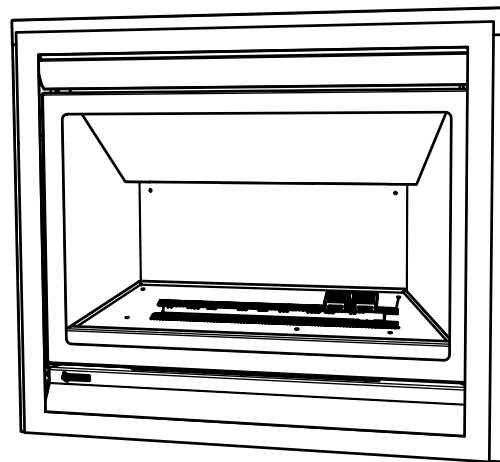
2. Secure Vignette frame using 2 screws in locations shown below.



3. Install safety screen assembly by inserting tabs on assembly into slots on installed Vignette frame (see below). Screen assembly is secured at bottom with magnets.



4. Reverse Steps to remove.



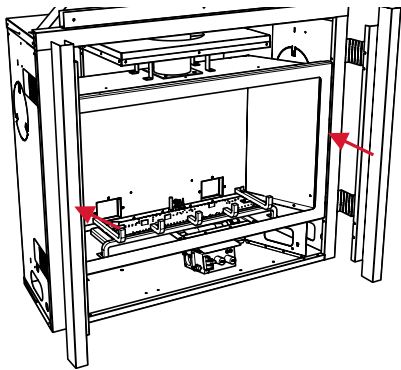
Final Install

## OPTIONAL VIGNETTE FINISHING TRIM

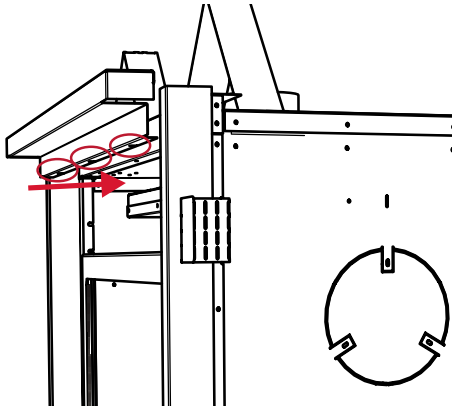
**\*If finishing the unit Flush with Vignette Finishing Trim** - remove top nailing strip from unit if installed—use nailing strip supplied with top trim piece. Side nailing strips are bent around side trim piece in flush finish application.

**NOTE:** Remove the safety screen, Vignette Faceplate (P33 units only: remove 2 screws securing lower legs of Faceplate) and glass door prior to installing the Finishing Trim.

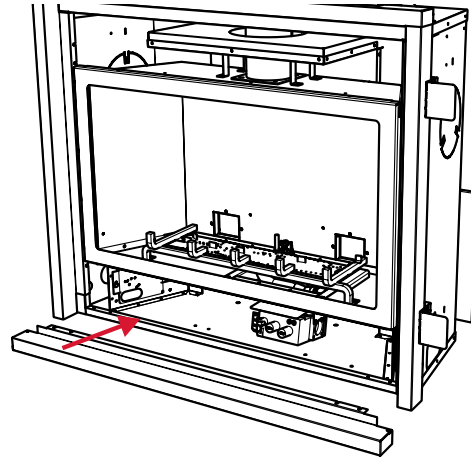
1. Install the Finishing Trim sides as shown in the diagram, line up the holes in the side trim with the holes in the firebox side.
2. Secure with one screw per side (on top, the bottom screw is installed after the Vignette faceplate bracket is in place P33/P33E only).



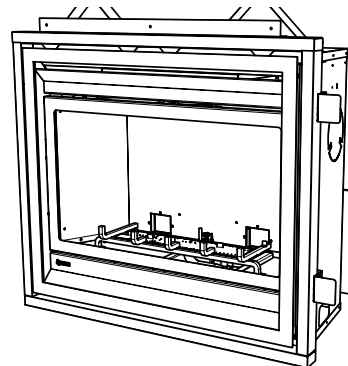
3. Loosen the 3 screws in the top inside edge of the firebox.
4. Slide the Finishing Trim Top over the Side Trim pieces and fit the bottom bracket slots over the screws. Tighten the 3 screws to secure.



7. Install the lower finishing trim (if required)—secure with four screws.



8. Hook Vignette Faceplate brackets into place (see specific instructions in unit manual).



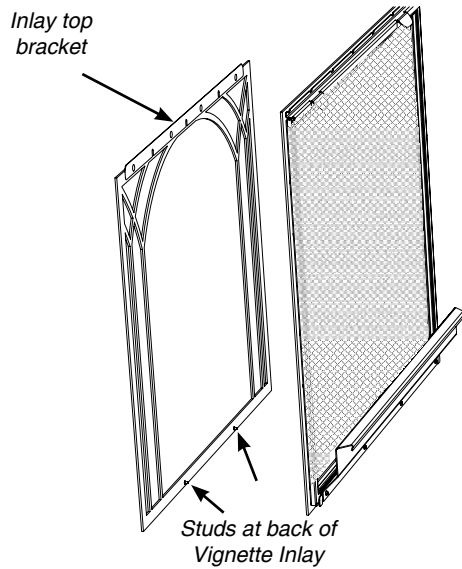
Completed install

5. Hook Vignette Faceplate brackets into place.
6. Line up the screw holes on the finishing trim and Vignette Faceplate bracket with the unit—fasten with one screw on each side—P33 only.

**OPTIONAL VIGNETTE INLAY INSTALLATION**

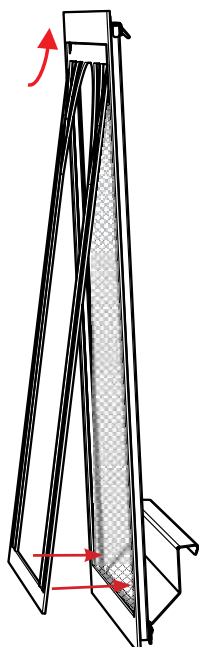
**NOTE:** Inlay not exactly as shown below.

1. Remove Inner Vignette Frame from unit if already installed.
2. Line up the inlay top bracket in the space between the safety screen frame and Vignette Frame. Slide the Inlay bracket up until it rests on the inside edge of the Vignette Frame.



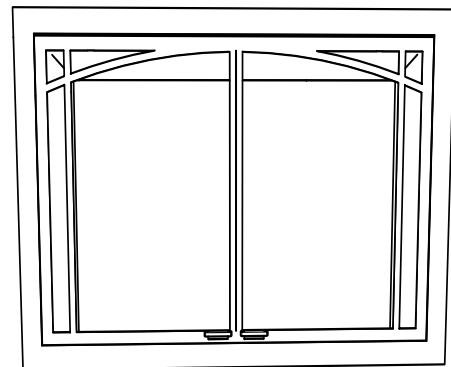
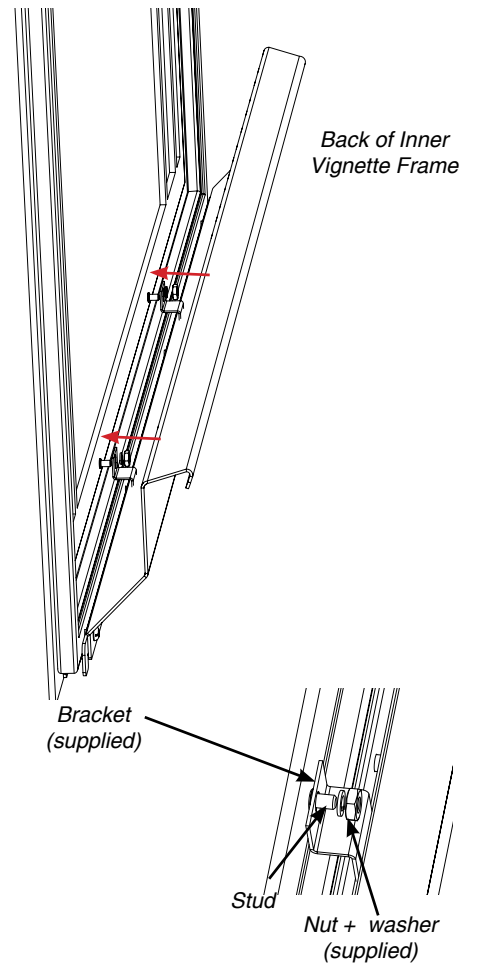
3. Position the Inlay so it is exactly centered from side to side and top to bottom within the Inner Vignette Frame.
4. With the top of the Inlay in correct position—push the studs at the bottom of the Inlay through the actual screen.

**NOTE:** Ensure Inlay is in correct position before pushing studs through the safety screen.



Line up Inlay—Push studs on Inlay through screen

5. Secure the Inlay in position with supplied brackets, washers, and nuts as shown.

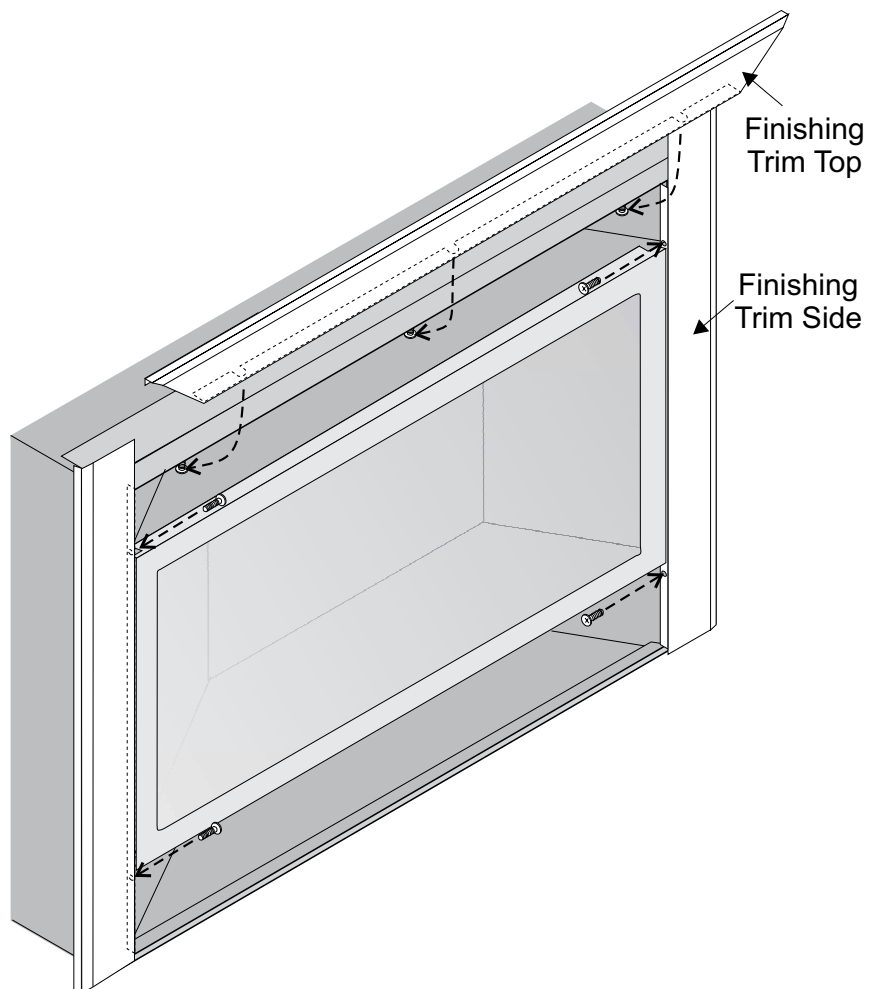
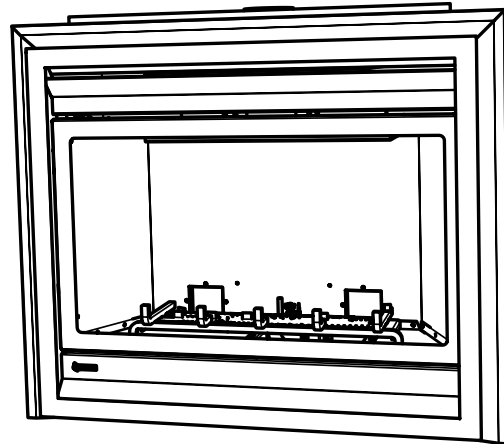


Completed Install

## OPTIONAL FINISHING TRIM

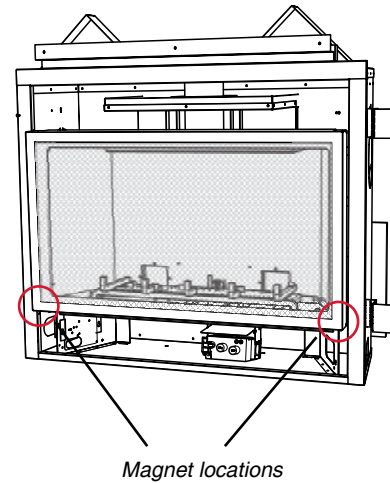
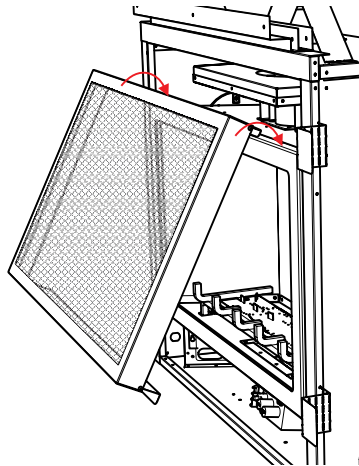
**NOTE:** Remove the safety screen, Vignette Faceplate (P33 units only: remove 2 screws securing lower legs of Faceplate) and glass door prior to installing the Finishing Trim.

- 1) Install the Finishing Trim sides as shown in the diagram, line up the holes in the side trim with the holes in the firebox side.
- 2) Secure with one screw per side (on top, the bottom screw is installed after the Vignette faceplate bracket is in place P33/P33E only).
- 3) Loosen the 3 screws in the top inside edge of the firebox.
- 4) Slide the Finishing Trim Top over the Side Trim pieces and fit the bottom bracket slots over the screws. Tighten the 3 screws to secure.
- 5) Hook Vignette Faceplate brackets into place.
- 6) Line up the screw holes on the finishing trim and Vignette Faceplate bracket with the unit—fasten with one screw on each side.
- 7) Reinstall the glass door and safety screen.



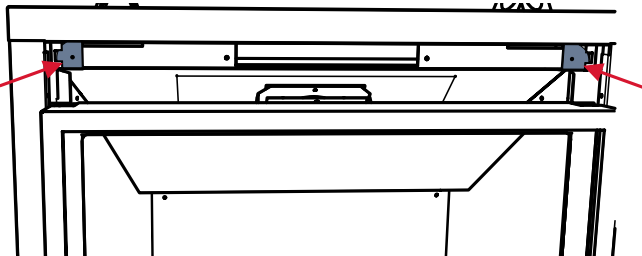
**SAFETY SCREEN INSTALLATION - MUST BE USED WITH OPTIONAL LOUVERS**

1. Hook the safety screen frame over the glass door frame.
2. Gently lower screen on to glass door frame—two (2) magnets located on inside lower part of the screen frame will secure the screen to the glass door frame.
3. To remove—reverse steps.

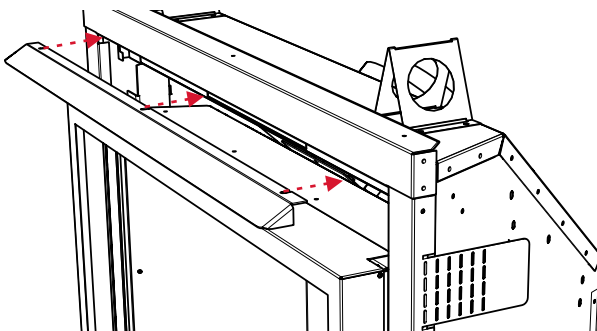


**OPTIONAL FLUSH LOUVERS INSTALLATION - USED WITH SAFETY SCREEN # 439-929**

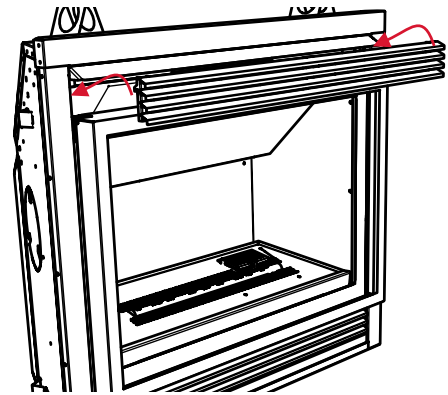
1. Install two (2) top louver brackets in locations shown below with one screw each side.



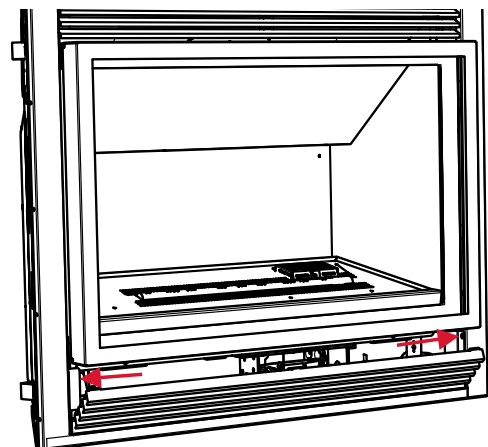
2. Install the heat deflector with three (3) screws - the screws are located on under the top of the unit. Loosen the screws—slide deflector on and tighten screws.



3. Install top louver by hooking louver on to brackets installed in Step 1.



4. Install bottom louver assembly by opening bottom louver enough to allow access to attach bottom louver brackets to unit with one screw on each side in locations shown below.





## COPY OF THE LIGHTING PLATE INSTRUCTIONS

**FOR YOUR SAFETY READ BEFORE LIGHTING**  
**POUR VOTRE SÉCURITÉ – À LIRE AVANT LA MISE EN MARCHÉ**

**WARNING:** If you do not follow these instructions exactly, a fire or explosion may result causing property damage, personal injury or loss of life. Improper installation, adjustment, alteration, service or maintenance can cause injury or property damage. Refer to the owner's information manual provided with this appliance. For assistance or additional information consult a qualified installer, service agency or gas supplier.


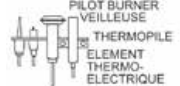
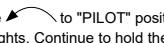
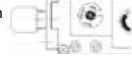
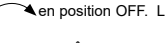
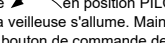
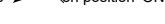
**AVERTISSEMENT.** Quiconque ne respecte pas à la lettre les instructions dans la présente notice risquera de déclencher un incendie ou une explosion entraînant des dommages, des blessures ou la mort. Une installation, d'ajustement, de modification, de service ou d'entretien peut provoquer des blessures ou des dommages matériels. Reportez-vous au manuel du propriétaire fourni avec cet appareil. Pour obtenir de l'aide ou des informations supplémentaires consulter un installateur qualifié, une agence de service ou fournisseur de gaz.

- A) This appliance has a pilot that must be lighted by hand. When lighting the pilot, follow these instructions exactly.
- B) **BEFORE LIGHTING** smell all around the appliance area for gas. Be sure to smell next to the floor because some gas is heavier than air and will settle on the floor.
- WHAT TO DO IF YOU SMELL GAS**
- Do not try to light any appliance.
  - Do not touch any electric switch, do not use any phone in your building.
  - Leave the building immediately.
  - Immediately call your gas supplier from a neighbour's phone. Follow the gas supplier's instructions.
  - If you cannot reach your gas supplier, call the fire department.
- C) Use only your hand to push in or turn the gas control knob. Never use tools. If the knob will not push in or turn by hand, do not try to repair it; call a qualified service technician. Force or attempted repair may result in a fire or explosion.
- D) Do not use this appliance if any part has been under water. Immediately call a qualified service technician to inspect the appliance and replace any part of the control system and any gas control which has been underwater.
- A) Cet appareil est muni d'une veilleuse qui doit être allumée manuellement. Respectez les instructions ci-dessous à la lettre.
- B) **AVANT LA MISE EN MARCHÉ,** reniflez tout autour de l'appareil pour déceler une odeur de gaz. Reniflez au niveau du plancher, car certains gaz sont plus lourds que l'air et peuvent s'accumuler au niveau du sol.
- QUE FAIRE SI VOUS SENTEZ UNE ODEUR DE GAZ :**
- Ne tentez pas d'allumer l'appareil
  - Ne touchez à aucun interrupteur; n'utilisez pas de téléphones se trouvant dans le bâtiment.
  - Sortez du bâtiment immédiatement
  - Appelez immédiatement votre fournisseur de gaz depuis un téléphone extérieur. Suivez les instructions du fournisseur.
  - Si vous ne pouvez pas rejoindre le fournisseur, appelez le service incendie.
- C) Ne poussez ni ne tournez la manette d'admission du gaz qu'à la main. Ne jamais employer d'outil à cette fin. Si la manette reste coincée, ne tentez pas de la réparer; appelez un technicien qualifié. Quiconque tente de forcer la manette ou de la réparer peut provoquer une explosion ou un incendie.
- D) N'utilisez pas cet appareil s'il a été plongé dans l'eau, même partiellement. Faites inspecter l'appareil par un technicien qualifié et remplacez tout élément du système de contrôle ou de commande qui a été plongé dans l'eau.


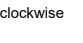
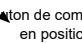
**CAUTION: Hot while in operation. Do not touch. Severe burns may result. Due to high surface temperatures keep children, clothing and furniture, gasoline and other liquids having flammable vapors away. Keep burner and control compartment clean. See installation and operating instructions accompanying appliance.**

**ATTENTION : Surfaces chaudes lorsque l'appareil est en marche. Ne pas toucher. Risque de brûlures graves. En raison des températures élevées, les enfants, les vêtements et le mobilier, le carburant et tout autre liquide aux vapeurs inflammables doivent être tenus éloignés de l'appareil. Nettoyer régulièrement le brûleur et le compartiment des commandes. Voir les consignes d'installation et d'utilisation fournies avec l'appareil.**

**LIGHTING INSTRUCTIONS / CONSIGNES D'ALLUMAGE**

- 1) **STOP! Read the safety information above on this label.**  
This appliance is equipped with an on-demand pilot that shuts off after seven days.
- 2) Push in gas control knob slightly and turn clockwise  to "OFF". Knob cannot be turned from "PILOT" to "OFF" unless knob is pushed in slightly. Do not force.
- 
- 3) Wait five (5) minutes to clear out any gas. If you then smell gas STOP! Follow step "B" in the Safety Information above on this label. If you don't smell gas, go to the next step.
- 4) Push in gas control knob slightly and turn counterclockwise  to "PILOT" position.
- 5) Push in control knob all the way and hold in until the pilot lights. Continue to hold the control knob in for about 30 seconds after the pilot lights. Release the knob.
- 6) Push in gas control knob slightly and turn counterclockwise  to "ON" position
- 7) Turn on the flame switch.
- 1) **STOP ! Lire les instructions de sécurité sur la portion supérieure de cette étiquette.**  
Cet appareil est équipé d'une veilleuse sur demande qui s'éteint après sept jours.
- 2) Enfoncer légèrement le bouton de commande de gaz et tournez dans le sens horaire  en position OFF. Le bouton ne peut pas être tourné du PILOT à OFF à moins que le bouton soit enfoncé légèrement. Ne forcez pas.
- 3) Attendre cinq (5) minutes pour laisser échapper tout le gaz. Si vous sentez une odeur de gaz, ARRÊTEZ! Passez à l'étape "B" des instructions de sécurité sur la portion supérieure de cette étiquette. S'il n'y a pas d'odeur de gaz, passez à l'étape suivante.
- 4) Enfoncer légèrement le bouton de commande de gaz et tournez dans le sens antihoraire  en position PILOT.
- 5) Pousser le bouton de commande de gaz à fond et le maintenir enfoncé jusqu'à ce que la veilleuse s'allume. Maintenir le bouton de commande de gaz enfoncé pendant environ 30 secondes après l'allumage de la veilleuse. Relâcher le bouton de commande de gaz.
- 6) Enfoncer légèrement le bouton de commande de gaz et tourner dans le sens antihoraire  en position 'ON'.
- 7) Actionner l'interrupteur de flamme.

**TO TURN OFF GAS TO APPLIANCE / POUR COUPER LE GAZ AU NIVEAU DE L'APPAREIL**

- 1) Turn off the flame switch. 
- 2) Push in the gas control knob slightly and turn  clockwise to "OFF". Do not force.
- 3) Turn off all electric power to the appliance if service is to be performed.  
You may shut off the pilot during prolonged non use periods to conserve fuel.
- 1) Fermer l'interrupteur de flamme.
- 2) Enfoncer légèrement le bouton de commande de gaz et tournez dans le sens horaire  en position OFF. Ne pas forcer.
- 3) Avant d'effectuer des opérations d'entretien, couper l'alimentation électrique de l'appareil.  
Pour économiser le carburant, vous pouvez éteindre la veilleuse lorsque l'appareil reste longtemps inutilisé.

**DO NOT REMOVE THIS INSTRUCTION PLATE**

**NE PAS ENLEVER CETTE ÉTIQUETTE D'INSTRUCTIONS**

920-438

## OPERATING INSTRUCTIONS

- 1) Read and understand these instructions before operating this appliance.
- 2) Check to see that all wiring is correct and enclosed to prevent possible shock.
- 3) Check to ensure there are no gas leaks.
- 4) Make sure the glass in the door frame is properly positioned. Never operate the appliance with the glass removed.
- 5) Verify that the venting and cap are unobstructed.
- 6) Ensure that the brick panels, if used, are installed.
- 7) Verify log placement. If the pilot cannot be seen when lighting the unit, the logs have been incorrectly positioned.
- 8) The unit should never be turned off, and on again without a minimum of a 60 second wait.
- 9) Hook up remote receiver to wire marked 'receiver' which will be located on the bottom of the appliance. This remote control requires coding. See remote control instructions for details.

**NOTE:** This appliance will operate during power outages. Only the fan will not operate until power is restored. If the remote batteries in both the handheld transmitter or receiver lose power, the appliance can still be operated by sliding the switch on the receiver switch from "Remote" to "ON". To turn on the appliance off slide the receiver switch from "ON" to "Remote" or "OFF".

**IMPORTANT:** The remote control system supplied with this appliance has several options for starting/operating the appliance, please read the remote control operating instructions (packed with remote control) to understand how to operate this remote system. Option to download remote functions video with QR code below.



Proflame video

## LIGHTING PROCEDURE

**IMPORTANT**  
Prior to igniting or re igniting the pilot, remove the glass door.

Important: If the pilot does not hold, turn pilot knob to "OFF" position. Wait 5 minutes to clear gas. If you smell gas - STOP! Follow the safety information above. If you don't smell gas, repeat Steps 1-6.

1. Push in gas control knob slightly and turn to "PILOT" position.
2. Push in control knob all the way and hold in until the pilot lights up. Continue to hold the control knob in for about 20 seconds after the pilot is lit. Release knob.
3. Push in gas control knob slightly and turn to "ON" position.
4. Ensure the receiver is in the remote position.

Set Switch to Remote



Diagram 1

5. Press and release the ON/OFF button on the remote handheld transmitter. An audible beep should be heard from the receiver.



ON/OFF Button

Diagram 2

Remote shown in Manual Mode on Hi

6. The unit will turn on.

## SHUTDOWN PROCEDURE

1. Press "OFF" on the remote or slide receiver switch from remote to "OFF".
2. Turn the gas control knob to the "OFF" position to turn off the pilot.

Pilot may be shut off during prolonged non use periods to conserve fuel.

## FIRST FIRE

The first fire in your fireplace is part of the paint curing process. To ensure that the paint is properly cured, it is recommended that you burn your fireplace for at least four (4) hours the first time you use it with the fan on.

When first operated, the unit will release an odour caused by the curing of the paint, the burning off of any oils remaining from manufacturing. Smoke detectors in the house may go off at this time. Open a few windows to ventilate the room for a couple of hours.

The glass panel may require cleaning after the unit has cooled down. **DO NOT ATTEMPT TO CLEAN THE GLASS WHILE IT IS HOT.**

**Note:** When the glass is cold and the appliance is lit, it may cause condensation and fog the glass. This condensation is normal and will disappear in a few minutes as the glass heats up.

**DO NOT BURN THE APPLIANCE WITHOUT THE GLASS FRONT IN PLACE.**

During the first few fires, a white film may develop on the glass front as part of the curing process. The glass should be cleaned or the film will bake on and become very difficult to remove. Use a non-abrasive cleaner and NEVER clean the glass while it is hot.

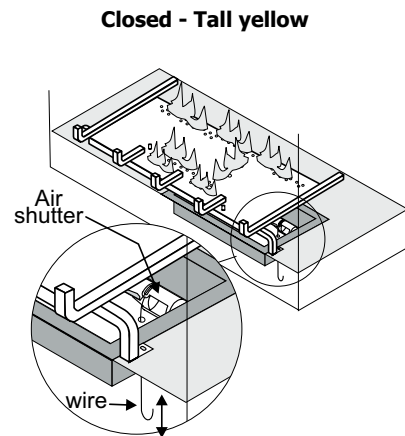
## AERATION ADJUSTMENT

The air shutter can be adjusted by moving the adjusting wire up or down. The wire is accessed through the bottom louver opening. Open the air shutter for a blue flame or close for a yellower flame. The burner aeration is factory set but may need adjusting due to either the local gas supply or altitude.

### Minimum Air Shutter Opening:

**3/16" Natural Gas Orifice # 44**  
**3/8" Propane Orifice # 55**

*CAUTION: Carbon will be produced if air shutter is closed too much.*



Adjustment Wire: push to close or pull to open aeration cap

**Open - Short blue**

**Note: Any damage due to carboning resulting from improperly setting the aeration controls is NOT covered under warranty.**

**Note: Aeration Adjustment should only be performed by an authorized Regency® Installer at the time of installation or service.**

## NORMAL OPERATING SOUNDS OF GAS APPLIANCES

It is possible that you will hear some sounds from your gas appliance. This is perfectly normal due to the fact that there are various gauges and types of steel used within your appliance. Listed below are some examples. All are **normal operating sounds** and should not be considered as defects in your appliance.

### Blower:

Regency® gas appliances use high tech blowers to push heated air farther into the room. It is not unusual for the fan to make a "whirring" sound when ON. This sound will increase or decrease in volume depending on the speed setting of your fan speed control.

### Burner Tray:

The burner tray is positioned directly under the burner tube(s) and logs and is made of a different gauge material from the rest of the firebox and body. Therefore, the varying thicknesses of steel will expand and contract at slightly different rates which can cause "ticking" and "cracking" sounds. You should also be aware that as there are temperature changes within the unit these sounds will likely re-occur. Again, this is normal for steel fireboxes.

### Blower Thermodisc:

When this thermally activated switch turns ON it will create a small "clicking" sound. This is the switch contacts closing and is normal.

### Pilot Flame:

While the pilot flame is on it can make a very slight "whisper" sound.

### Gas Control Valve:

As the gas control valve turns ON and OFF, a dull clicking sound may be audible, this is normal operation of a gas regulator or valve.

### Unit Body/Firebox:

Different types and thicknesses of steel will expand and contract at different rates resulting in some "cracking" and "ticking" sounds will be heard throughout the cycling process.

## MAINTENANCE INSTRUCTIONS

- 1) Always turn off the gas valve before cleaning. For relighting, refer to lighting instructions. Keep the burner and control compartment clean by brushing and vacuuming at least once a year. When cleaning the logs, use a soft clean paint brush as the logs are fragile and easily damaged.
- 2) Clean appliance and door with a damp cloth (never when unit is hot). Never use an abrasive cleaner. The glass should be cleaned with a gas fireplace glass cleaner. **The glass should be cleaned when it starts looking cloudy.**
- 3) The heater is finished in a heat resistant paint and should only be refinished with heat resistant paint. Regency® uses StoveBright Paint - Metallic Black #6309.
- 4) Make a periodic check of burner for proper position and condition. Visually check the flame of the burner periodically, making sure the flames are steady; not lifting or floating. If there is a problem, call a qualified service person.
- 5) The appliance and venting system must be inspected before use, and at least annually, by a qualified field service person, to ensure that the flow of combustion and ventilation air is not obstructed.

Note: Never operate the appliance without the glass properly secured in place.

- 6) Do not use this appliance if any part has been under water. Immediately call a qualified service technician to inspect the appliance and to replace any part of the control system and any gas control which has been under water.

- 7) Verify operation after servicing.

## GENERAL VENT MAINTENANCE

Conduct an inspection of the venting system semi-annually. Recommended areas to inspect as follows:

- 1) Check the Venting System for corrosion in areas that are exposed to the elements. These will appear as rust spots or streaks, and in extreme cases, holes. These components should be replaced immediately.
- 2) Remove the Cap, and shine a flashlight down the Vent. Remove any bird nests, or other foreign material.
- 3) Check for evidences of excessive condensation, such as water droplets forming in the inner liner, and subsequently dripping out the joints, Continuous condensation can cause corrosion of caps, pipe, and fittings. It may be caused by having excessive lateral runs, too many elbows, and exterior portions of the system being exposed to cold weather.
- 4) Inspect joints, to verify that no pipe sections or fittings have been disturbed, and consequently loosened. Also check mechanical supports such as Wall Straps, or plumbers' tape for rigidity.

## LOG REPLACEMENT

The unit should never be used with broken logs. Turn off the gas valve and allow the unit to cool before opening door and carefully remove the logs. (The pilot light generates enough heat to burn someone.) If for any reason a log should need replacement, you must use the proper replacement log. The position of these logs must be as shown in the diagrams under Log Installation.

**Note: Improper positioning of logs may create carbon build-up and will severely alter the unit's performance which is not covered under warranty.**

## THERMOPILE/ THERMOCOUPLE

- 1) Remove faceplate, safety screen and glass door.
- 2) Remove Logs and burner (if installed).
- 3) Remove rear log tray by removing 2 screws.
- 4) Remove pilot assembly by removing 2 screws.
- 5) Pull pilot assembly up slightly and loosen the thermocouple or thermopile with a 7/16" wrench.
- 6) Disconnect thermocouple by loosening nut from the valve with a 9mm wrench. Disconnect thermopile by loosening 2 screws marked TP on the valve.
- 7) Drop the thermocouple or thermopile down from the bracket and pull it out of the unit.
- 8) Reinstall the new ones in reverse order.

## GLASS GASKET

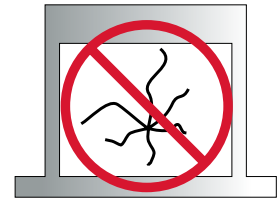
If the glass gasket requires replacement the door assembly will need to be replaced. Part # of the door assembly is 433-538.

## DOOR GLASS

Your Regency® fireplace is supplied with high temperature, 5 mm Neoceram ceramic glass that will withstand the highest heat that your unit will produce. If your glass requires cleaning, we recommend using an approved glass cleaner available at all authorized dealers. Do not use abrasive materials. Do not clean the glass when hot.

In the event that you break your glass by impact, purchase your replacement from an authorized Regency® dealer only, and follow our step-by-step instructions for replacement.

**WARNING: Do not operate the appliance with the glass panels removed, cracked or broken. Replacement of the glass panels should be done by a licensed or qualified service person.**

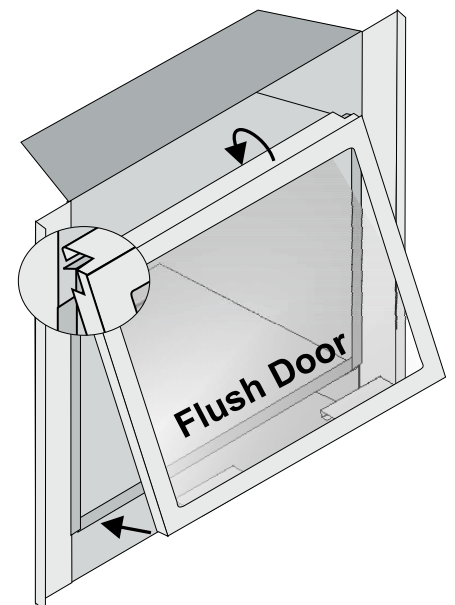


**Caution: Wear gloves when removing damaged or broken glass.**

## Flush Glass Replacement

- 1) **with Vignette Faceplate installed:** Remove the Vignette safety screen and frame. See Vignette instructions in this manual.
 

**with flush louvers installed:** Remove top louver and open up the bottom louver. Remove the safety screen. See Flush louver and safety screen installation instructions in this manual.
- 2) Remove the door from the unit (see below) and place on a soft surface to prevent scratching.
- 3) Replace door on the Fireplace and check the seal.



## REMOVING VALVE

1. Shut off the gas and electrical supply.
2. Remove the faceplate.
3. Remove the safety screen and glass door.
4. Remove the logs.
5. Remove the burner/grate assembly by removing the two screws and then lift the burner assembly out.

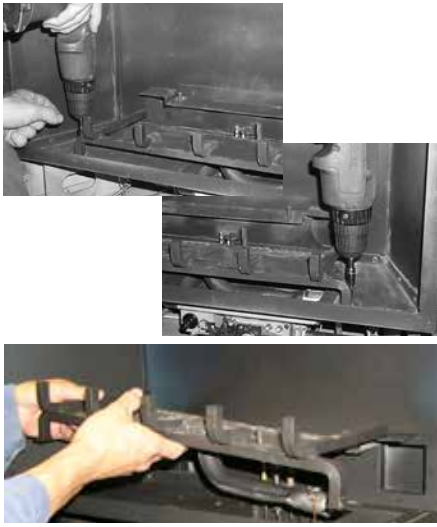


Diagram 1: Remove the left and right screws and then lift out the burner/grate assembly.

6. Remove the rear log stand by removing the 2 screws.
7. Disconnect the inlet gas line.
8. Disconnect the 2 TP wires and the 2 TH wires from the valve.
9. Remove 2 screws to remove the log stand—see below.

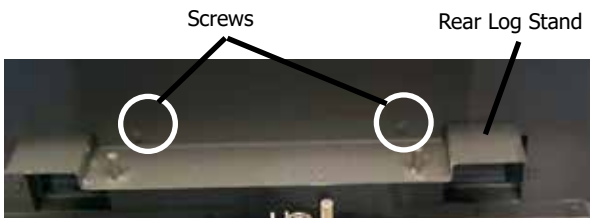


Diagram 2: Rear Log Stand

10. Remove 10 screws securing the valve tray assembly in place (Diagram 3) and then lift the entire assembly out (Diagram 4).

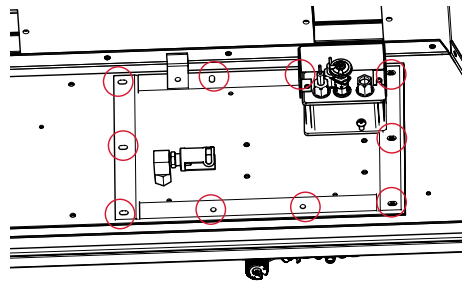


Diagram 3: Valve Tray Assembly Screws

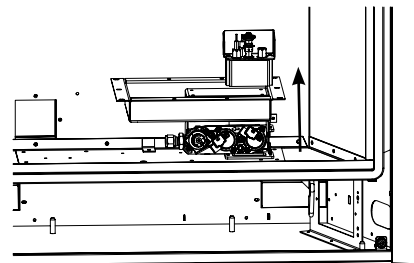


Diagram 4: Lift out Valve Tray Assembly

11. Undo the pilot tube from the valve with a 7/16" wrench.
12. Undo the quick drop out thermocouple nut on the valve with a 9mm (metric) wrench.
13. Unplug spark ignition and two connection wires at DC sparker.
14. Undo the "gas out" flare nut with a 13/16" wrench.
15. Undo the "gas out" flare fitting with an 11/16" wrench.
16. Remove the 4 screws from the sides of the valve bracket and remove valve.

*Hint: If you are using black pipe, ensure that there is a union by the valve, otherwise removal will be almost impossible.*

## INSTALLING VALVE

1. Attach the valve to the valve bracket with the 4 screws provided.
2. Reconnect the "gas out" flare fitting with an 11/16" wrench.
3. Reconnect the "gas out" flare nut with a 13/16" wrench.
4. Reconnect the quick drop out thermocouple nut with a 9mm wrench.
5. Reconnect the pilot tube nut with a 7/16" wrench.
6. Scrape off the old gasket from the floor of the firebox and from the valve tray assembly.
7. Install a new gasket and reinstall the valve tray assembly.

**Note: Failure to install a new gasket may severely affect the appliance performance.**

8. Reinstall the 10 hold down screws.
9. Hook up the 2 TP and 2 TH wires to the appropriate connections on the valve.
10. Reinstall the rear log stand.
11. Install Burner/grate assembly.
12. Hook up the gas line and check for gas leaks with a soap and water solution or a gas leak detector. (Do not use open flame for leak testing.)
13. Fire up the unit temporarily.
14. Check the manifold pressure.
15. Reinstall the logs and brick panels as needed.
16. Reinstall Glass Door, Safety Screen and Faceplate.
17. Fire up the unit again and check for proper flame appearance and glow on logs.

## GAS APPLIANCE MAINTENANCE

In order for your Regency appliance to continue to provide comfort to your home periodic maintenance must be performed to ensure it is operating at peak efficiency. The items in the list should be checked by a licensed gas service technician during the annual service check. Your unit may require more frequent maintenance checks if you notice any changes in how it operates. Operational changes to look for can include, but are not limited to, extended start up time, increased fan noise, residue/carbon build up, white build up on the glass/firebox, increased operating noise etc. Should any of these or other conditions arise, discontinue use and schedule a service check with your local licensed gas technician. The list below shows items your licensed service technician will need to check and service at least annually.

### Clean

- Glass
- Interior bricks / panels
- Burner ports & burner air shutter
- Fan blades
- Log set
- Pilot orifices
- Pilot hood (change as needed)
- Flame sensor (electronic ignition models)
- Flame electrode
- Burner orifice
- Thermocouple (millivolt models)
- Thermopile (millivolt models)

### Inspect

- Pilot assembly
- Burner
- Pressure relief gaskets/doors
- Flue connector gasket if present
- Door seal
- Firebox
- Venting
- Batteries (remote handheld, remote receiver, DC sparker, change as needed)
- Burner media (change as needed)
- Air shutter setting
- Wiring

### Check

- Voltage on thermocouple/thermopile (millivolt models)
- Ohms reading on flame sense (electronic ignition models)
- Inlet/outlet fuel pressures as per rating plate
- Voltage/ohms readings on gas valve
- Ohms reading to on/off switch circuit (Millivolt models)

### Gas Leak Tests

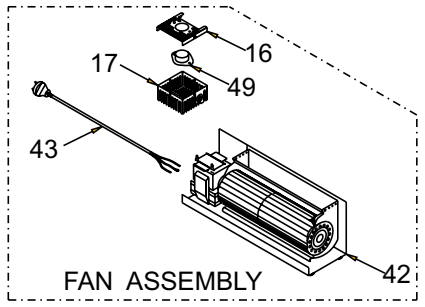
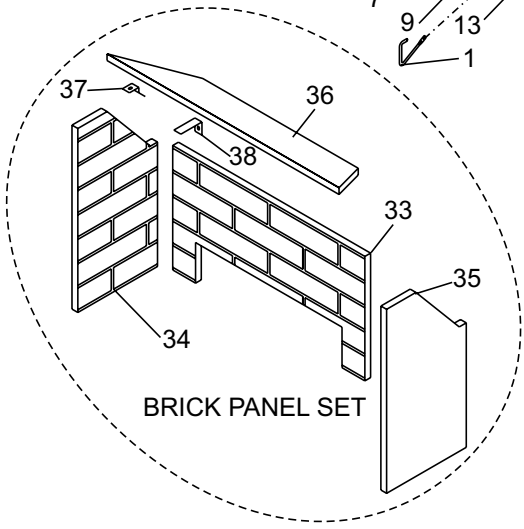
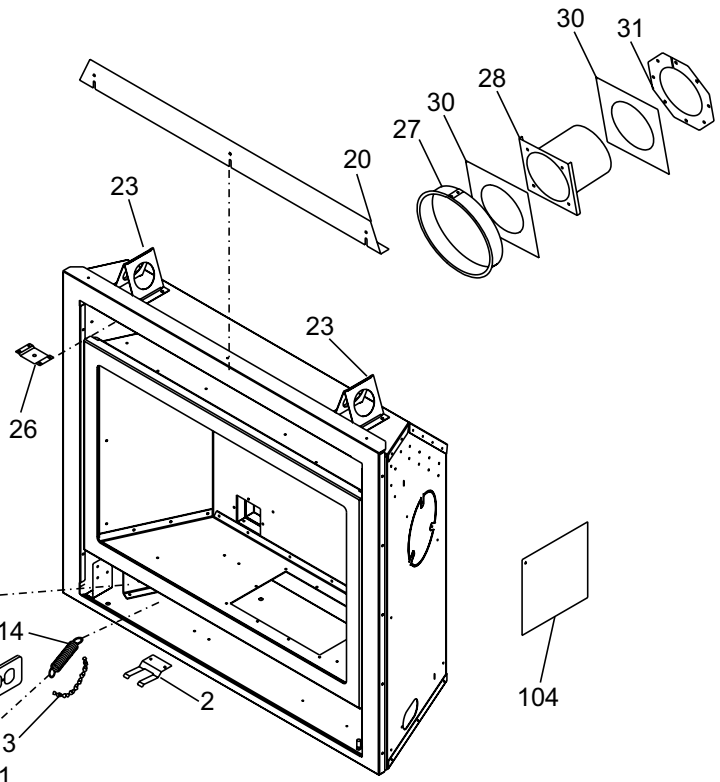
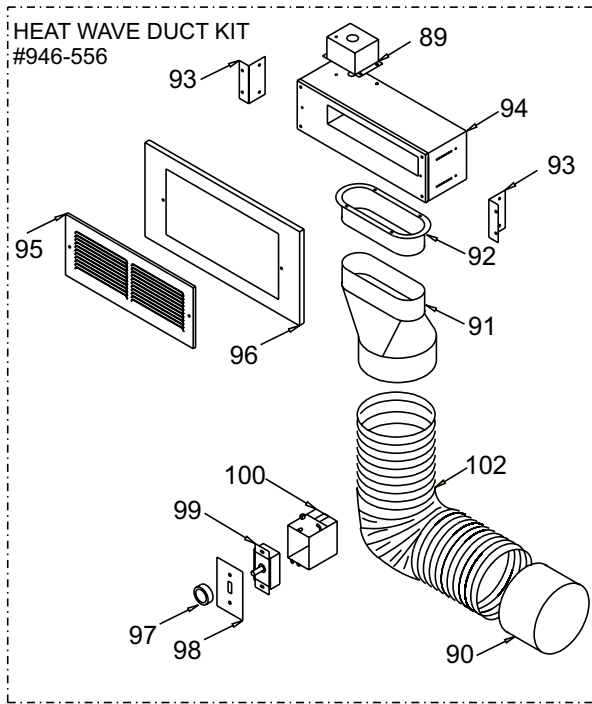
- Check main gas line connection to valve
- Check shut off valve connections
- Check connection at gas valve outlet
- Check connection at main burner orifice
- Check pilot fuel line at valve and at pilot assembly



## MAIN ASSEMBLY

	Part #	Description
1.	948-247	Door Handle
2.	*	Thermodisc Bracket
7.	910-428	Duplex Receptacle
8.	910-429	Box - Receptacle
9.	910-430	Cover - Receptacle
10.	904-687	Clamp Connector
13.	948-046	#12 Jack Chain
14.	948-095	Door Extension Spring
16.	*	Thermodisc Top
17.	*	Thermodisc Box Base
19.	430-129	Receptacle Box Mount
20.	430-031	Top Nailing Strip
22.	433-017	Firebox Baffle
23.	433-011F	Top Standoff
24.	511-044	Standoff - Side
	790-091	Standoff - Rear
26.	*	Louver Hold Down
27.	*	Outer Flue Collar
28.	*	Inner Flue Collar Assembly
30.	*	Gasket - Flue Collar
31.	*	Flue Mounting Plate
	432-901	Brick Panel Set - Standard Brown
	432-902	Brick Panel Set - Standard Red
	432-903	Brick Panel Set - Herringbone Brown
33.	*	Brick Panel - Rear
34.	*	Brick Panel - Left Side
35.	*	Brick Panel - Right Side
36.	*	Brick Panel - Top
37.	430-056	Brick Clip - Top
38.	430-057	Brick Clip - Bottom
	439-908	Enamel Panel Set
	438-917	Fan Assembly (120 Volts) Optional
42)	910-331/P	Replacement Fan Motor (120 Volts)
43)	910-813	Power Cord (120 Volts)

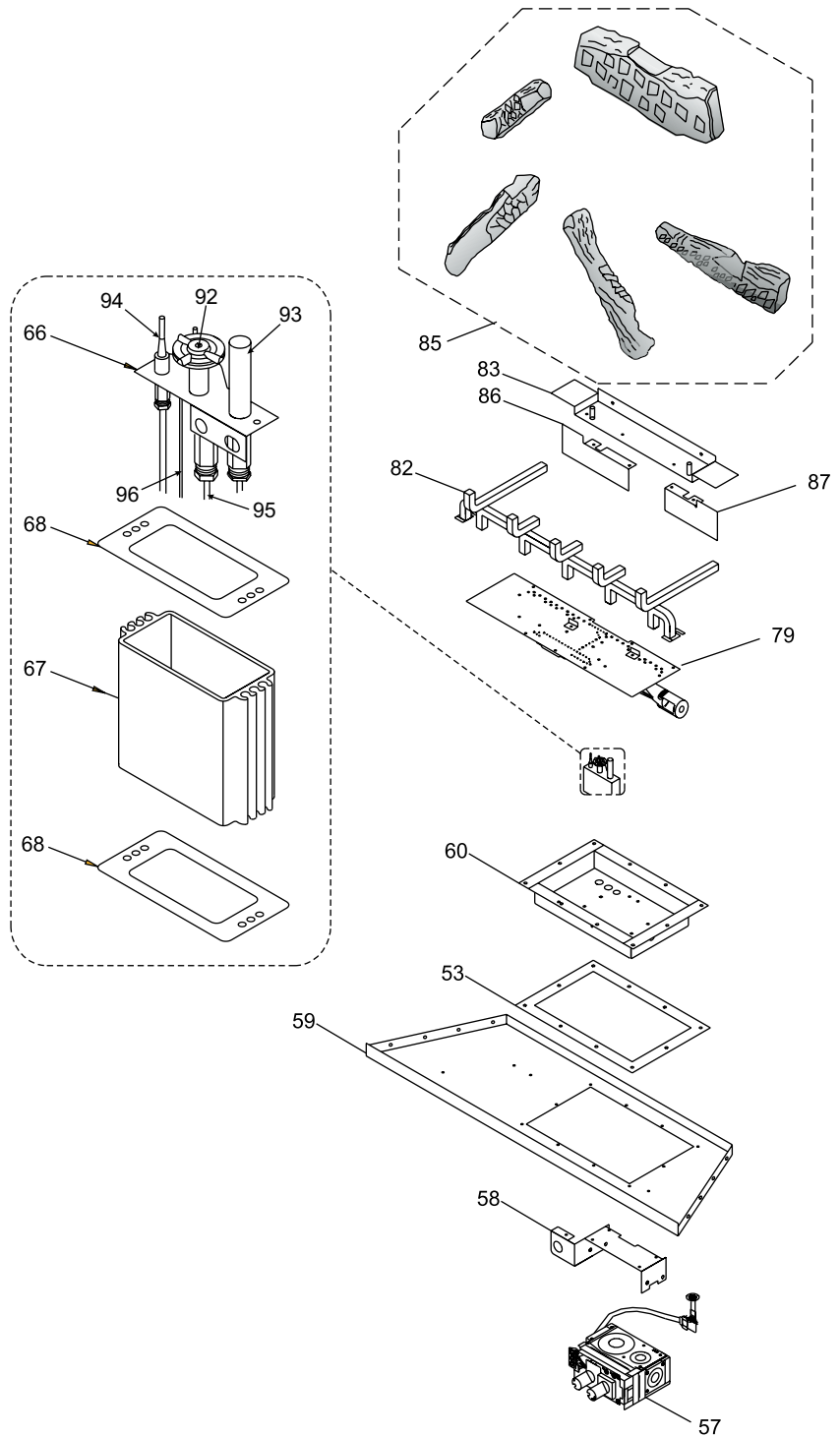
	Part #	Description
49.	910-142	Thermodisc - Fan Auto ON/OFF
	946-556	Optional Heat Wave Duct Kit
89.	946-004	Junction Box
90.	946-000	Round Duct Adaptor
91.	946-002	Round to Oval Adaptor
92.	946-001	Oval Duct Adaptor
93.	946-007	Angle Bracket
94.	946- 517/P	Fan Assembly - HeatWave Option
95.	946-006	Grill Plate - White
96.	946-005	Wall Adaptor Plate - White
97.	910-417	Knob - White
98.	910-366	Switch Cover Plate - White
99.	910-412	Fan Speed Controller
100.	910-367	Box - Plastic Switch Receptacle
102.	946-010	Flexible Air Duct
	946-038	Insulation 6" dia. x 24"
104.	690-022F	Cover Plate
	433-538	Door Frame Assembly Complete - Includes Glass
	904-691	Glass Clips (ea)
	510-994	Rigid Pipe Adaptor
	919-392	Manual
*Not available as a replacement part.		



**BURNER & LOG ASSEMBLY**

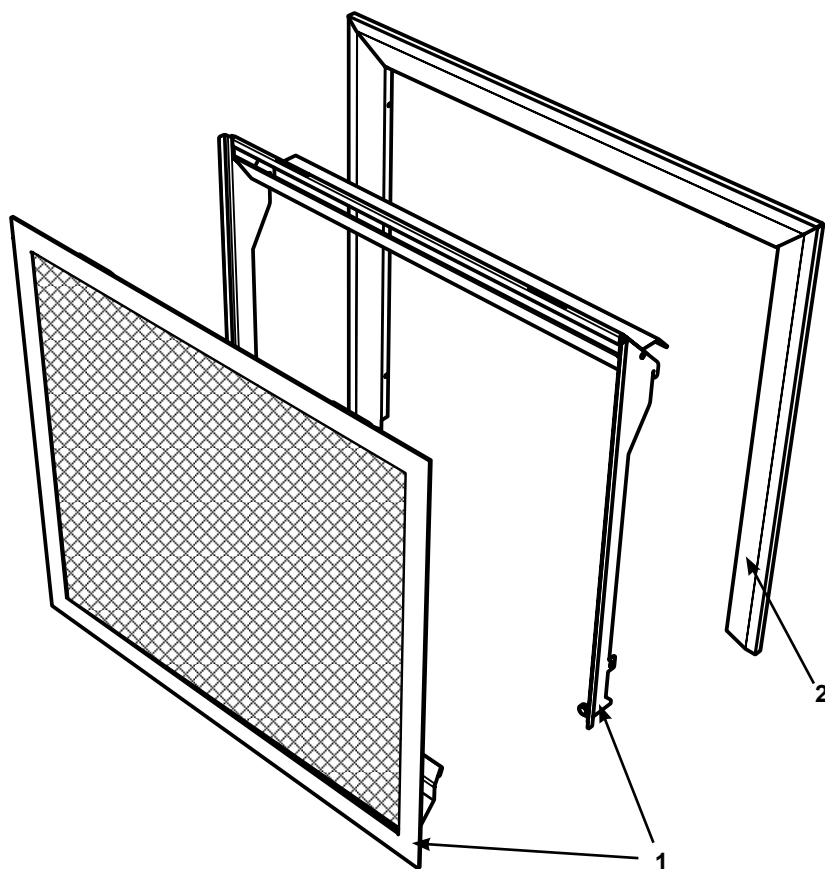
Part	Description
53.	430-055 Gasket - Valve Access Plate - NG/LP
	439-574/P Valve Assy - Natural Gas
	439-576/P Valve Assy - Propane
57.	910-578 S.I.T. Valve - NG/LP
58.	* Valve Bracket
59.	* Firebox Base
60.	* Valve Tray
66.	910-038/P Pilot Assy - 3 way flame - S.I.T. - NG
	910-039/P Pilot Assy - 3 way flame - S.I.T. - LP
	904-568 Orifice #44 - Natural Gas
	904-575 Orifice #55 - Propane
	936-170 Orifice Gasket
67.	* Pilot Holder
68.	W840470 Pilot Assembly Gasket
79.	433-525 Burner Assy - NG/LP
82.	433-024 Burner Grate Assembly - NG/LP
83.	* Rear Log Support Bracket - NG/LP
85.	431-930 Oak Log Set
85.	439-932 Birch Log Set
	902-156 Lava Rocks
	902-179 Vermiculite
	946-669 Platinum Bright Embers
	946-708 Embaglow Bright Embers
	902-153 Rockwool
86.	430-097 Air Deflector-Left
87.	433-018 Air Deflector-Right
	910-581 Stepper Motor NG
	910-582 Stepper Motor LP
	911-338/P Remote Receiver
	911-335 Remote Receiver Wall Cover Plate - White
	911-343 Remote Receiver Wall Cover Plate - Black
	910-592 Remote handheld (GTMF) - Silver
	910-036 Pilot Orifice NG
	910-037 Pilot Orifice LP
92.	910-096 Pilot Hood
93.	910-341 Thermopile
94.	910-386 Thermocouple
95.	910-432 Pilot Tube w/nuts
96.	910-030 Spark Electrode
	910-073 DC spark box
	910-074 DC spark box wire
	911-030 Fan Control Module
	439-969 Conversion Kit LP

Part	Description
911-032	Valve/Remote Wiring Harness
433-020	Pilot Shield
	*Not available as a replacement part.



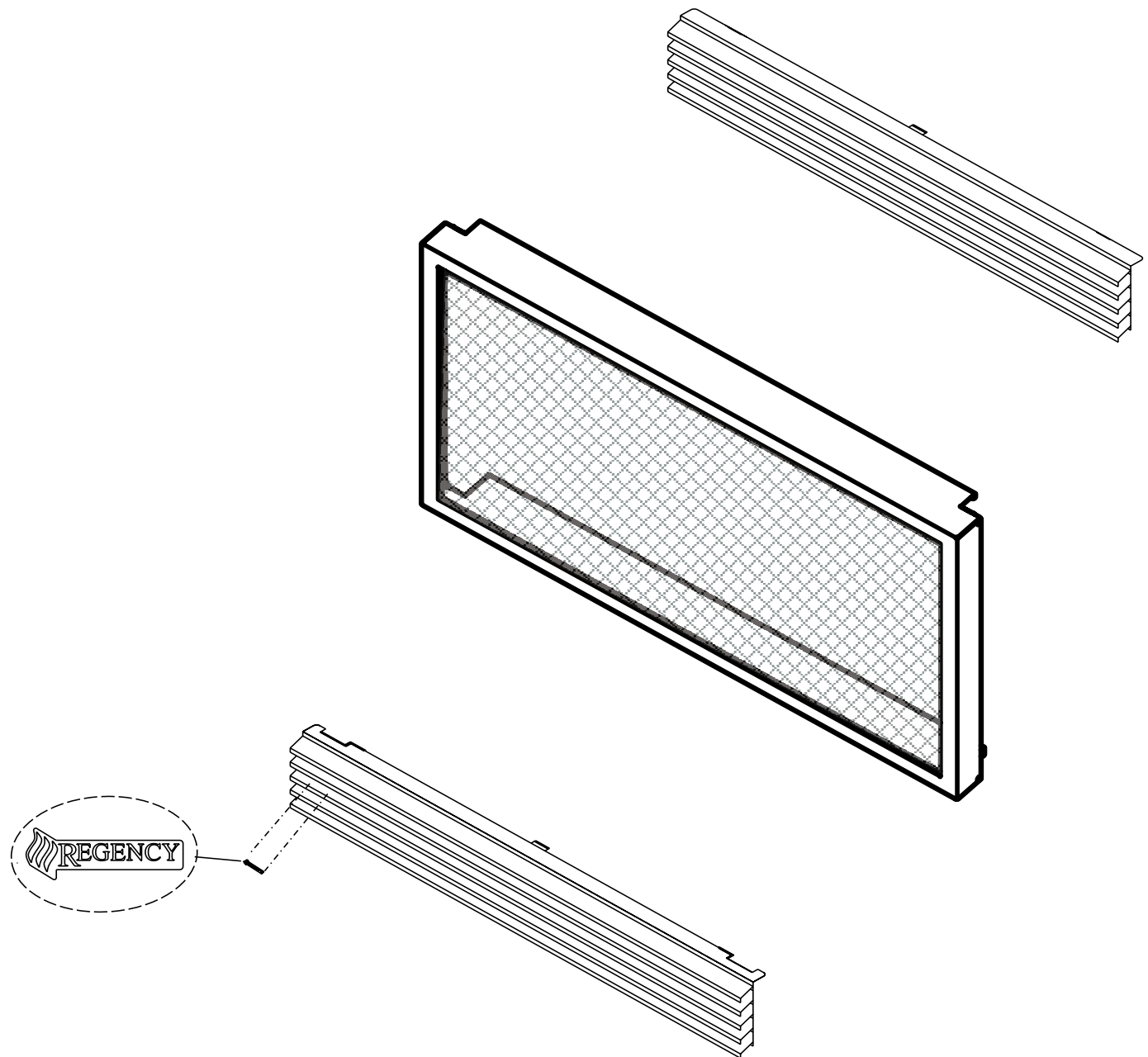
**VIGNETTE FACEPLATE AND FINISHING TRIM**

<b>Part #</b>	<b>Description</b>		<b>Part #</b>	<b>Description</b>
1) 439-922	Vignette Faceplate Platinum		* 439-928	Vignette Finishing Trim
439-923	Vignette Faceplate Black Chrome		439-929	Mesh Guard
439-924	Vignette Faceplate Black		439-948	Vignette Door Inlay Black Chrome
439-926	Vignette Faceplate Tuscan Sunset		439-949	Vignette Door Inlay Mt. Black
2) 430-940	3 sided Finishing Trim		439-950	Vignette Door Inlay Tuscan Sunset
			*	Parts Not Shown



**SAFETY SCREEN AND LOUVERS**

Part #	Description
439-920	Flush louvers black
439-929	Safety Screen
948-223	Regency® Logo Plate



**Limited Lifetime Warranty**

FPI Fireplace Products International Ltd. (for Canadian customers) and Fireplace Products U.S., Inc. (for U.S. customers) (collectively referred to herein as "FPI") extends this Limited Lifetime Warranty to the original purchaser of this appliance provided the product remains in the original place of installation. The items covered by this limited warranty and the period of such coverage is set forth in the table below.

Some conditions apply (see below).

The policy is not transferable, amendable or negotiable under any circumstances.

Indoor Gas Products Warranty Coverage Parts and Labor	Part				Supplier Warranty	Labor Coverage (Years)
	Lifetime	5 years	2 years	1 year		
Firebox and Heat Exchanger	✓					3
Steel Burner Tube	✓					3
Glass Thermal breakage only	✓					3
All Surrounds/Inlays Finishes		✓				3
Brick Panels/Log sets/Ceramic Burners		✓				3
All Castings		✓				3
Valve assembly and all gas control components, (Pilot assembly, flame sensors, Spark Electrode, Pilot Tubing, Orifices, Thermocouple, Thermopile)			✓			2
All Other Electrical components, (Ignition Control Boards, Wiring, Switches, Blowers, Blower Control Module, Battery Pack, Remote Control Systems)			✓			2
Enamel Panels			✓			1
Venting/Venting Components			✓			1
All Stainless steel surrounds				✓		1
All Firebox Media (Crystals, Firebeads, Volcanic, Ceramic & Spa Stones)				✓		1
All hardware				✓		1
Mesh/Glass Safety Barriers				✓		1
Accent Light Bulbs				✓		1
Glass (Crazing)				✓		1

**Conditions:**

Warranty protects against defect in manufacture or FPI factory assembled components only, unless herein specified otherwise.

Any part(s) found to be defective during the warranty period as outlined above will be repaired or replaced at FPI's option through an accredited distributor, dealer or pre-approved and assigned agent provided that the defective part is returned to the distributor, dealer or agent for inspection if requested by FPI. Alternatively, FPI may at its own discretion fully discharge all of its obligations under the warranty by refunding the verified purchase price of the product to the original purchaser. The purchase price must be confirmed by the original Bill of Sale.

**The authorized selling dealer, or an alternative authorized FPI dealer if pre-approved by FPI, is responsible for all in-field diagnosis and service work related to all warranty claims. FPI is not responsible for results or costs of workmanship of unauthorized FPI dealers or agents in the negligence of their service work.**



At all times FPI reserves the right to inspect reported complaints on location in the field claimed to be defective prior to processing or authorizing of any claim. Failure to allow this upon request will void the warranty.

All warranty claims must be submitted by the dealer servicing the claim, including a copy of the Bill of Sale (proof of purchase by you). All claims must be complete and provide full details as requested by FPI to receive consideration for evaluation. Incomplete claims may be rejected.

Unit must be installed according to all manufacturers' instructions as per the manual.

All Local and National required codes must be met.

The installer is responsible to ensure the unit is operating as designed at the time of installation.

The original purchaser is responsible for annual maintenance of the unit, as outlined in the owner's manual. As outlined below, the warranty may be voided due to problems caused by lack of maintenance.

Repair/replacement parts purchased by the consumer from FPI after the original coverage has expired on the unit will carry a 90 day warranty, valid with a receipt only. Any item shown to be defective will be repaired or replaced at our discretion. No labor coverage is included with these parts

**Exclusions:**

This Limited Lifetime Warranty does not extend to paint, rust or corrosion of any kind due to a lack of maintenance or improper venting, combustion air provision, corrosive chemicals (i.e. chlorine, salt, air, etc.), door or glass gasketing.

Malfunction, damage or performance based issues as a result of environmental conditions, location, chemical damages, downdrafts, installation error, installation by an unqualified installer, incorrect chimney components (including but not limited to cap size or type), operator error, abuse, misuse, use of improper fuels, lack of regular maintenance and upkeep, acts of God, weather related problems from hurricanes, tornados, earthquakes, floods, lightning strikes/bolts or acts of terrorism or war, which result in malfunction of the appliance are not covered under the terms of this Limited Lifetime Warranty.

FPI has no obligation to enhance or modify any unit once manufactured (i.e. as products evolve, field modifications or upgrades will not be performed on existing appliances).

This warranty does not cover dealer travel costs for diagnostic or service work. All labor rates paid to authorized dealers are subsidized, pre-determined rates. Dealers may charge homeowner for travel and additional time beyond their subsidy.

Any unit showing signs of neglect or misuse will not be covered under the terms of this warranty policy and may void this warranty. This includes units with rusted or corroded fireboxes which have not been reported as rusted or corroded within three (3) months of installation/purchase.

Units which show evidence of being operated while damaged, or with problems known to the purchaser and causing further damages will void this warranty.

Units where the serial no. has been altered, deleted, removed or made illegible will void this warranty.

Minor movement, expansion and contraction of the steel is normal and is not covered under the terms of this warranty.

FPI is not liable for the removal or replacement of facings or finishing in order to repair or replace any appliance in the field.

Freight damages for products or parts are not covered under the terms of the warranty.

Products made or provided by other manufacturers and used in conjunction with the FPI appliance without prior authorization from FPI may void this warranty.

**Limitations of Liability:**

The original purchaser’s exclusive remedy under this warranty, and FPI’s sole obligation under this warranty, express or implied, in contract or in tort, shall be limited to replacement, repair, or refund, as outlined above. IN NO EVENT WILL FPI BE LIABLE UNDER THIS WARRANTY FOR ANY INCIDENTAL OR CONSEQUENTIAL COMMERCIAL DAMAGES OR DAMAGES TO PROPERTY. TO THE EXTENT PERMITTED BY APPLICABLE LAW, FPI MAKES NO EXPRESS WARRANTIES OTHER THAN THE WARRANTY SPECIFIED HEREIN. THE DURATION OF ANY IMPLIED WARRANTY IS LIMITED TO DURATION OF THE EXPRESSED WARRANTY SPECIFIED ABOVE. IF IMPLIED WARRANTIES CANNOT BE DISCLAIMED, THEN SUCH WARRANTIES ARE LIMITED IN DURATION TO THE DURATION OF THIS WARRANTY.

Some U.S. states do not allow limitations on how long an implied warranty lasts, or allow exclusion or limitation of incidental or consequential damages, so the above limitations or exclusions may not apply to you.

Customers located outside the U.S. should consult their local, provincial or national legal codes for additional terms which may be applicable to this warranty.

**How to Obtain Warranty Service:**

Customers should contact the authorized selling dealer to obtain warranty service. In the event the authorized selling dealer is unable to provide warranty service, please contact FPI by mail at the address listed below. Please include a brief description of the problem and your address, email and telephone contact information. A representative will contact you to make arrangements for an inspection and/or warranty service.

Canadian Warrantor:

**FPI Fireplace Products International Ltd.**  
6988 Venture St.  
Delta, British Columbia  
Canada, V4G 1H4

U.S. Warrantor:

**Fireplace Products U.S., Inc.**  
PO Box 2189 PMB 125  
Blaine, WA  
United States, 98231

Or contact the Regency Customer Care Centre at 1-800-442-7432 (phone) / 604-946-4349 (fax)

**Product Registration and Customer Support:**

Thank you for choosing a Regency Fireplace. Regency strives to be a world leader in the design, manufacture, and marketing of hearth products. To provide the best support for your product, we request that you complete a product registration form at <http://www.regency-fire.com/Customer-Care/Warranty-Registration.aspx> within ninety (90) days of purchase.



### Product Registration and Customer Support:

Thank you for choosing a Regency Fireplace. Regency strives to be a world leader in the design, manufacture, and marketing of hearth products. To provide the best support for your product, we request that you complete a product registration form found on our Web Site under Customer Care within ninety (90) days of purchase.

For purchases made in **CANADA or the UNITED STATES:**

<http://www.regency-fire.com/Customer-Care/Warranty-Registration.aspx>

For purchases made in **AUSTRALIA:**

<http://www.regency-fire.com.au/Customer-Care/Warranty-Registration.aspx>

You may also complete the warranty registration form below to register your Regency Fireplace Product and mail and/or fax it back to us, and we will register the warranty for you. It is important you provide us with all the information below in order for us to serve you better.

### Warranty Registration Form (or Register online immediately at the above Web Site):

<b>Warranty Details</b>	
Serial Number (required):	
Purchase Date (required) (mm/dd/yyyy):	
<b>Product Details</b>	
Product Model (required):	
<b>Dealer Details</b>	
Dealer Name (required):	
Dealer Address:	
Dealer Phone #:	
Installer:	
Date Installed (mm/dd/yyyy):	
<b>Your Contact Details (required)</b>	
Name:	
Address:	
Phone:	
Email:	

For purchases made in **CANADA:**

**FPI Fireplace Products International Ltd.**  
6988 Venture St.  
Delta, British Columbia  
Canada, V4G 1H4

Phone: 604-946-5155  
Fax: 1-866-393-2806

For purchases made in the **UNITED STATES:**

**Fireplace Products US, Inc.**  
PO Box 2189 PMB 125  
Blaine, WA  
United States, 98231

Phone: 604-946-5155  
Fax: 1-866-393-2806

For purchases made in **AUSTRALIA:**

**Fireplace Products Australia Pty Ltd**  
99 Colemans Road  
Dandenong South, Vic. 3175  
Australia

Phone: +61 3 9799 7277  
Fax: +61 3 9799 7822

For fireplace care and tips and answers to most common questions please visit our Customer Care section on our Web Site. Please feel free to contact your selling dealer if you have any questions about your Regency product.





---

---

---

---

---

---

---

---

---

---

---

---

---

---

---

---

---

---

---

---

---

---

---

---

---

---

---

---

---

---





***Installer: Please complete the following information***

**Dealer Name & Address:** \_\_\_\_\_

\_\_\_\_\_

**Installer:** \_\_\_\_\_

**Phone #:** \_\_\_\_\_

**Date Installed:** \_\_\_\_\_

**Serial #:** \_\_\_\_\_