

B41XTE Gas Fireplace

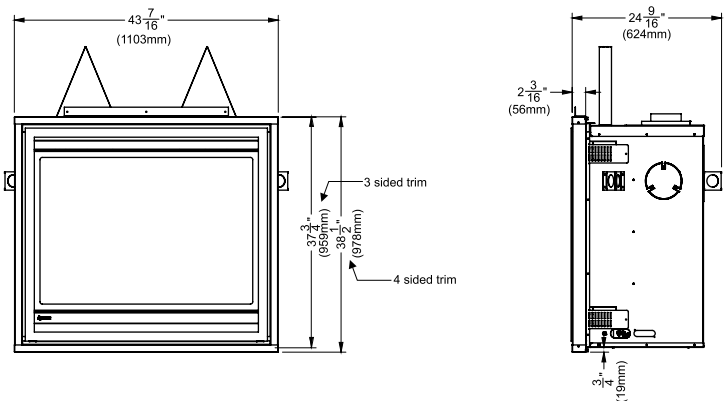
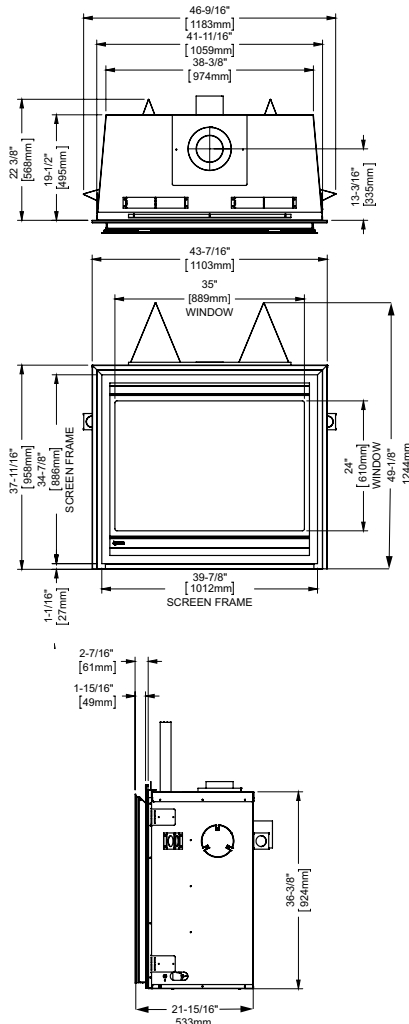
Model	B41XTE-NG11	B41XTE-LP11
Fuel Type	Natural Gas	Propane Gas
Minimum Supply Pressure	5" W.C. (1.25 kPa)	11" W.C. (2.74 kPa)
Manifold Pressure - High	3.5" W.C. (0.87 kPa)	10" W.C. (2.49 kPa)
Manifold Pressure - Low	1.6" W.C. (0.40 kPa)	6.4" W.C. (1.60 kPa)
Orifice Size	#30 DMS	#49 DMS
Minimum Input Altitude 0-4500 ft. (0-1372m)	30,000 BTU/h (8.79 kW)	29,500 BTU/h (8.65kW)
Maximum Input Altitude 0-4500 ft. (0-1372m)	42,500 BTU/h (12.45 kW)	37,500 BTU/h (10.99 kW)
Vent Sizing	5" Inner / 8" Outer	5" Inner / 8" Outer
CSA P.4.1 Fireplace Efficiency (FE)	68.15%	68.35%



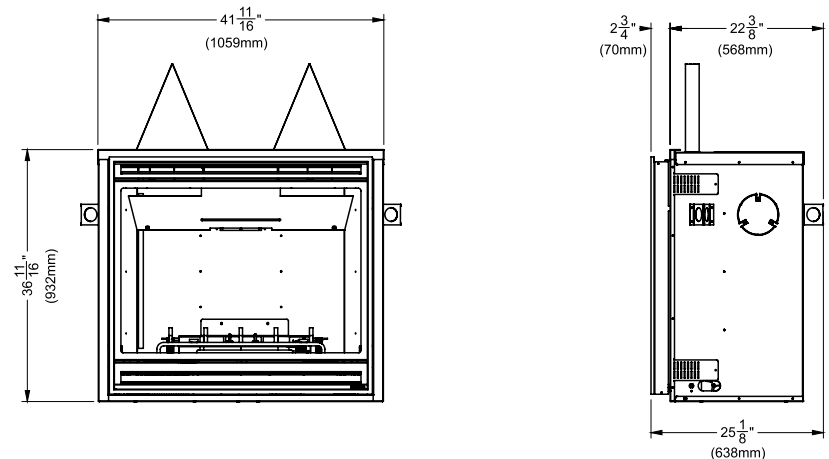
DIMENSIONS WITH VIGNETTE AND VIGNETTE FINISHING TRIM

Approved Venting Systems	
Flex Vent Systems:	FPI AstroCap™ Flex Vent
Rigid Pipe Vent Systems:	Simpson Direct Vent Pro® Selkirk Direct-Temp™ Metal-Fab® Sure Seal ICC Excel Direct

UNIT DIMENSIONS WITH VIGNETTE



DIMENSIONS WITH FLUSH PANELS AND SAFETY SCREEN



Note: Gas connection is from the right hand side of the appliance & electrical connection on left hand side of the appliance. A metal receptacle box is supplied/ installed with the appliance to make all 120 volt electrical connections.

CLEARANCES

The clearances listed below are Minimum distances unless otherwise stated:

A major cause of chimney related fires is failure to maintain required clearances (air space) to combustible materials. It is of the greatest importance that this fireplace and vent system be installed only in accordance with these instructions.

Caution Requirements

The top, back and sides of the fireplace are defined by standoffs. The metal ends of the standoff may **NOT** be recessed into combustible construction.

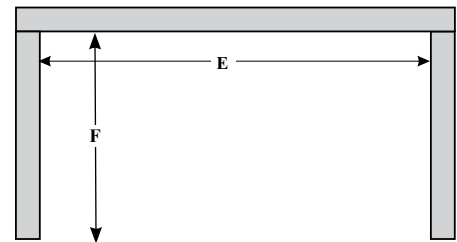
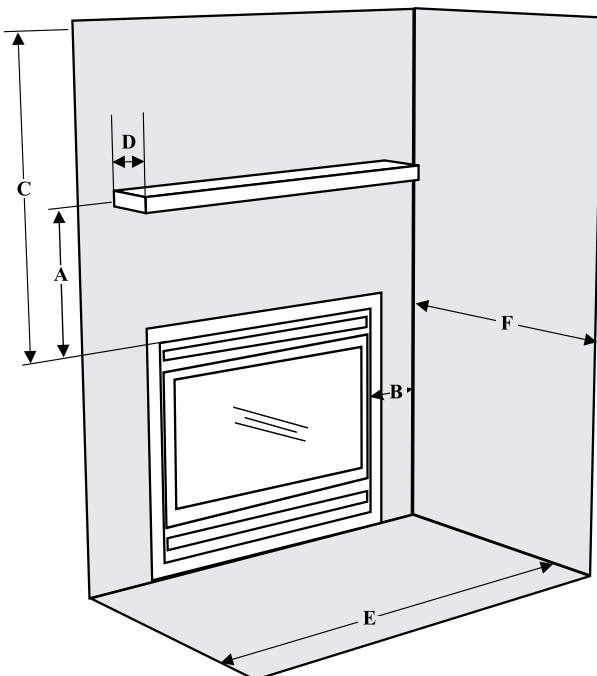
WARNING

Fire hazard is an extreme risk if these clearances (air space) to combustible materials are not adhered to. It is of greatest importance that this fireplace and vent system be installed only in accordance with these instructions.

B41XTE Clearance Requirements

Clearance:	Dimension	Measured From:
A: Mantel Height (min.) with Flush Panels and Safety Screen	15" (381 mm)	Top of Fireplace Opening
A: Mantel Height (min.) with Vignette and Finishing Trim	24- 9/16" (624mm)	Top of Fireplace Opening
B: Sidewall	9" (229mm)	Side of Fireplace Opening
C: Ceiling	33-3/4" (933mm)	Top of Fireplace Opening
D: Mantel Depth (max.)	12" (304mm)	(See Dimension A) from Top of Fireplace Opening
E: Alcove Width	60" (1524mm)	Wall to Wall (Minimum)
F: Alcove Depth	36" (914mm)	Front to Back Wall (Maximum)
Notes:	0"	No Hearth Required

NOTE: A 16" deep (by the width of the appliance) non-combustible hearth pad is recommended when using hardwood flooring and carpet.



Alcove

Minimum Vent Clearances to Combustibles

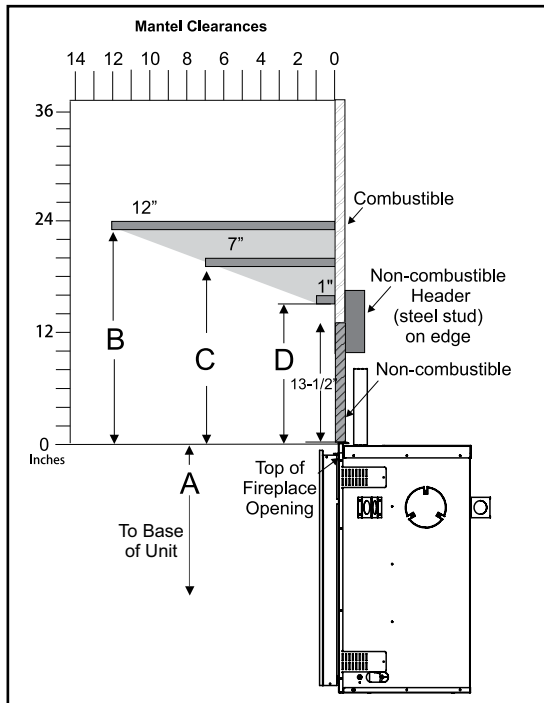
Horizontal Top	3" (76mm)
Horizontal Side	2" (51mm)
Horizontal Bottom	2" (51mm)
Vertical Vent	2" (51mm)

MANTEL CLEARANCES

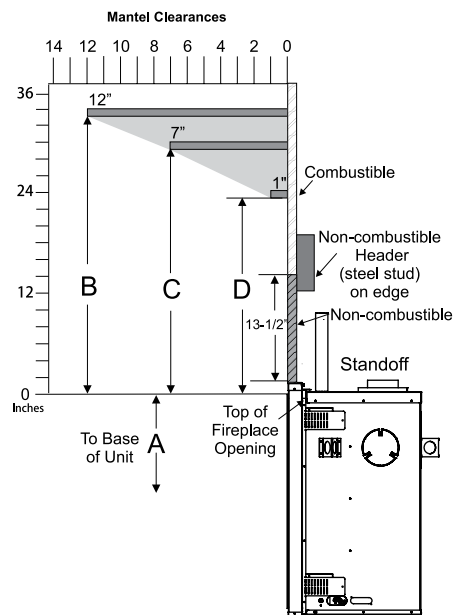
Due to the extreme heat this fireplace emits, the mantel clearances are critical. Combustible mantel clearances from top of front facing are shown in the diagram below.

Note: A non-combustible mantel may be installed at a lower height if the framing is made of metal studs covered with a non-combustible board. The non-combustible mantle when installed at a lower overall height may not be lower than 6 inches from the top of the fireplace opening.

Note: Ensure the paint that is used on the mantel and the facing is "heat resistant" or the paint may discolour.



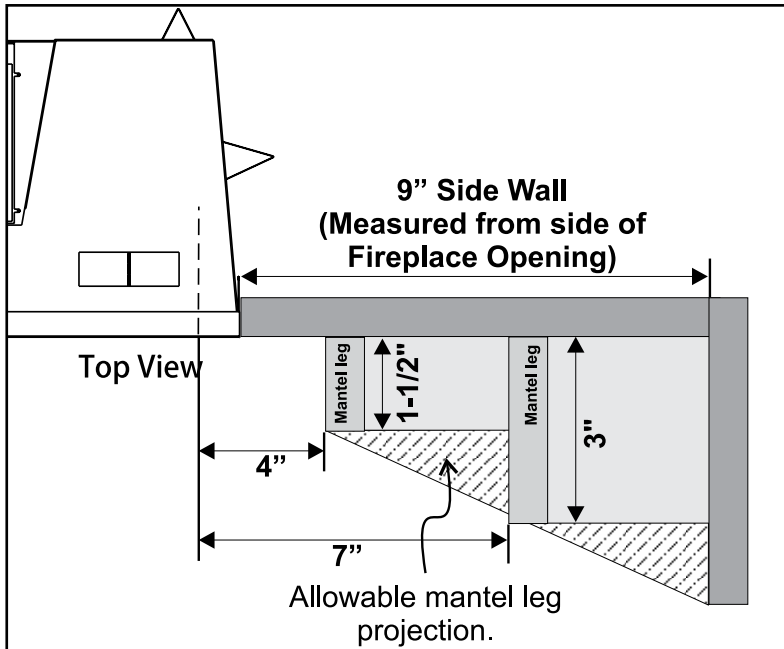
*Flush Panels + Safety Screen or Vignette
Faceplate/Vignette Trim Stepped Finish*



*Vignette + Vignette finishing trim -
finished flush*

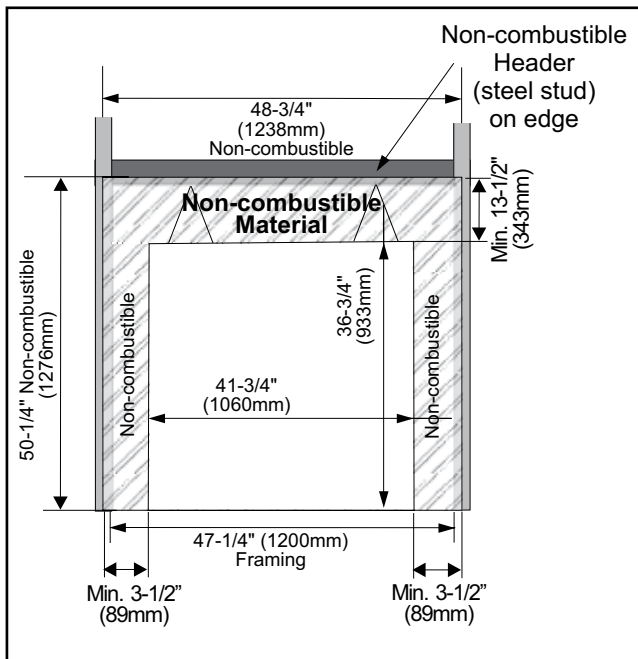
Mantel Clearances B41XTE		A	B	C	D
Flush Panels + Safety Screen or Vignette/Vignette Trim Stepped Finish	From Top of Fireplace Opening	35-1/4" (895mm)	23-1/4" (591mm)	19-1/2" (495mm)	15" (381mm)
Vignette with Vignette Finishing Trim - Finished Flush	From Top of Fireplace Opening	35-1/4" (895mm)	33-1/16" (825mm)	29-5/16" (744mm)	24-9/16" (624mm)
Note: The Vignette Finishing trim can not be used in conjunction with the flush panels and Safety Screen A separate 3 sided finishing trim is offered for this application.					

MANTEL LEG CLEARANCES

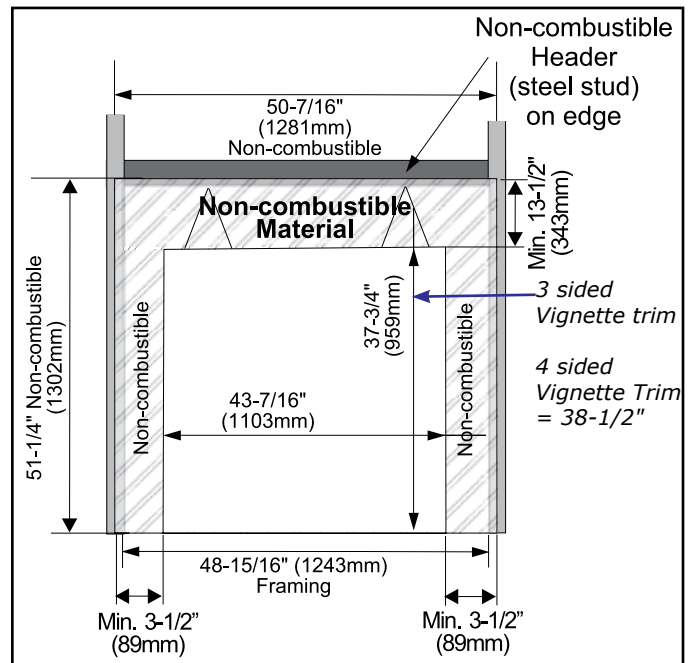


NON-COMBUSTIBLE REQUIREMENTS

FLUSH PANELS WITH SAFETY SCREEN OR VIGNETTE FACEPLATE/VIGNETTE FINISHING TRIM STEPPED FINISH



VIGNETTE + VIGNETTE FINISHING TRIM - FINISHED FLUSH

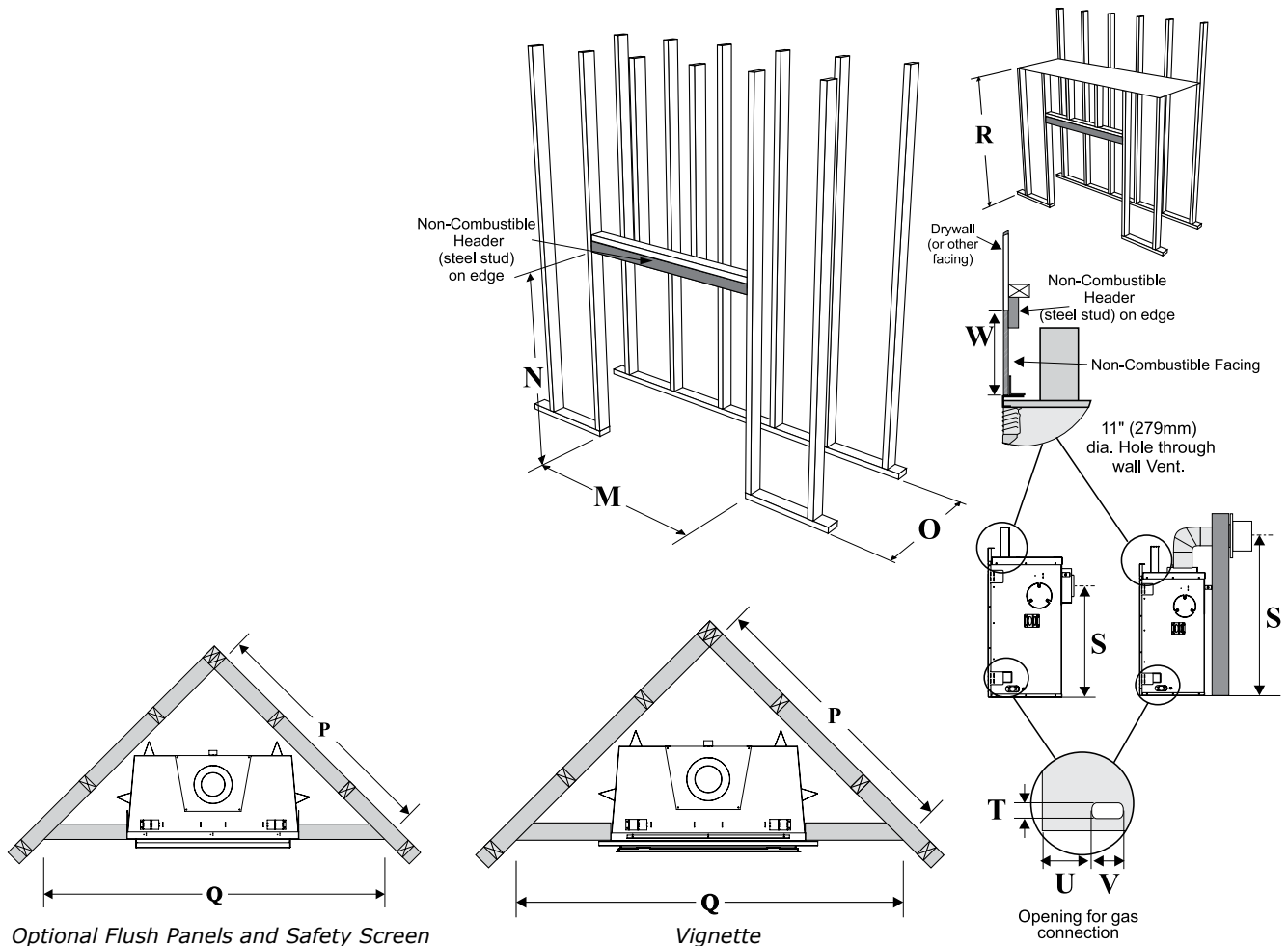


FRAMING WITH FLUSH PANELS AND SAFETY SCREEN OR VIGNETTE FACEPLATE/VIGNETTE TRIM, STEPPED FINISH

SEE NEXT PAGE FOR FRAMING FOR VIGNETTE AND VIGNETTE TRIM FINISHED FLUSH

Framing Dimensions	Description	B41XTE
M	Framing Width	47-1/4" (1200mm)
N	Framing Height	49-1/2" (1257mm)
O (Rear Vent)	Framing Depth - Rear Vent	23-1/4" (591mm)
O (Top Vent)	Framing Depth - Top Vent	22-5/8" (575mm)
P	Corner Facing Wall Width	60-1/4" (1530mm)
Q	Corner Facing Wall Width	85-3/16" (2163mm)
R (Rear Vent)	Framed Chase Ceiling - Rear	49-1/2" (1257mm)
R (Top Vent)	Framed Chase Ceiling - Top	54-1/2" (1384mm)
S (Rear Vent)	Vent Centerline Height - Rear	28-1/2" (724mm)
S (Top Vent)	Vent Centerline Height - Top	47-1/2" (1207mm) Rigid / Flex
T	Gas Connection Height	1-1/2" (38mm)
U	Gas Connection Inset	5" (127mm)
V	Gas Connection Width	3-1/4" (82mm)
W	Non-Combustible Top Height	13-1/2" (343mm)

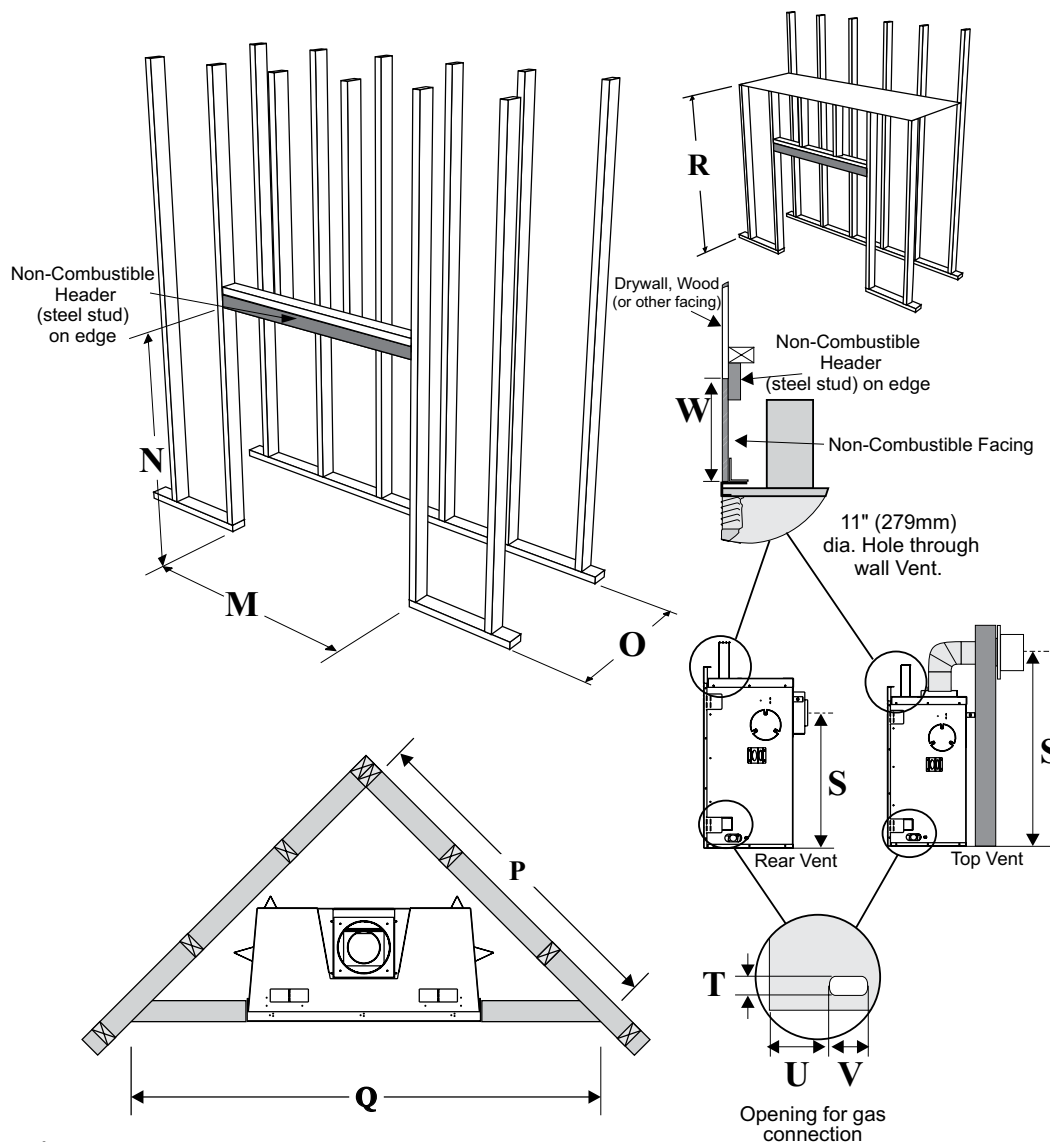
**** Important: Framing height requires consideration of the hearth depth. Dimension N = N + the thickness of the installed hearth.**



FRAMING WITH VIGNETTE FINISHING TRIM - FINISHED FLUSH

Framing Dimensions	Description	B41XTE
M	Framing Width	48-15/16" (1243mm)
N	Framing Height	50-1/4" (1276mm)
O (Rear Vent)	Framing Depth - Rear Vent	24-7/8" (632mm)
O (Top Vent)	Framing Depth - Top Vent	24-7/8" (632mm)
P	Corner Facing Wall Width	63-3/8" (1610mm)
Q	Corner Facing Wall Width	89-5/8" (2276mm)
R (Rear Vent)	Framed Chase Ceiling - Rear	50-1/4" (1276mm)
R (Top Vent)	Framed Chase Ceiling - Top	54-1/2" (1384mm)
S (Rear Vent)	Vent Centerline Height - Rear	28-1/2" (724mm)
S (Top Vent)	Vent Centerline Height - Top	47-1/2" (1207mm) Rigid / Flex
T	Gas Connection Height	1-1/2" (38mm)
U	Gas Connection Inset	5" (127mm)
V	Gas Connection Width	3-1/4" (82mm)
W	Non-Combustible Top Height	13-1/2" (343mm)

**** Important: Framing height requires consideration of the hearth depth. Dimension N = N + the thickness of the installed hearth.**



FINISHING

IMPORTANT FINISHING DETAIL NOTE:

Before placing unit into final position - it is important to know the total thickness / height of finished hearth (tile, carpet, etc.) The base of the fireplace should be level or higher than the finished hearth height.

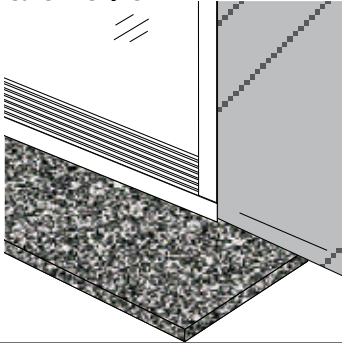


Diagram 1

Note:

All non-combustible facing material should butt up cleanly to the flanges around the firebox opening.

Rough edges will be visible from the front view with the flush louvers or flush panels - if not using the optional finishing trim.

To maintain a clean finished edge - it is recommended to install the non-combustible facing material with the finished edge against the fireplace / nailing strips.

Alternatively, you can use J Style Trim or Metal Corner Bead to cover cut edges of the non-combustible facing material.

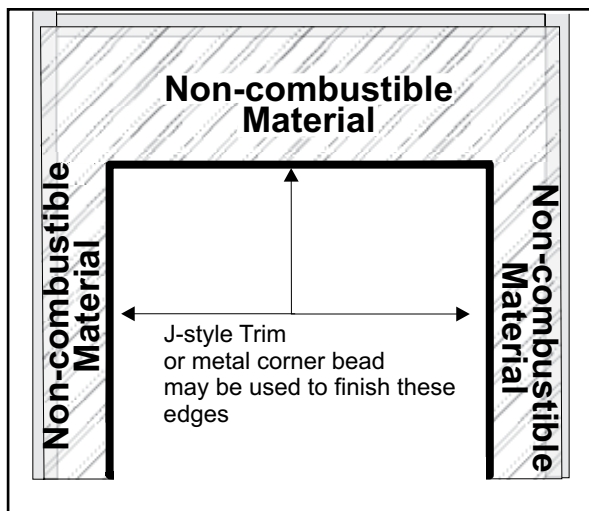


Diagram 2

VENTING INTRODUCTION

The B41XTE uses the "balanced flue" technology Co-Axial system. The inner liner vents products of combustion to the outside while the outer liner draws outside combustion air into the combustion chamber thereby eliminating the need to use heated room air for combustion and losing warm room air up the chimney.

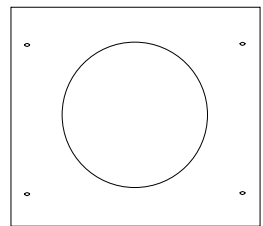
Note: These flue pipes must not be connected to any other appliance.

The gas appliance and vent system must be vented directly to the outside of the building, and never be attached to a chimney serving a separate solid fuel or gas burning appliance. Each direct vent gas appliance must use it's own separate vent system. Common vent systems are prohibited.

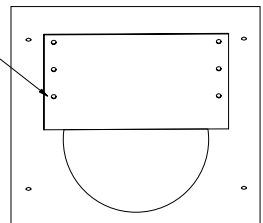
VENT RESTRICTOR & BAFFLE INSTALLATION

Note: The vent restrictor & baffle must be installed prior to Optional Panel Installation.

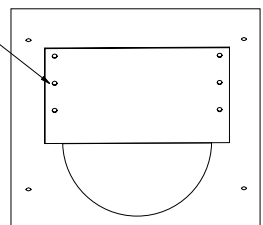
NO VENT RESTRICTOR
Factory setting



SET 1
THIS HOLE SETS THE VENT RESTRICTOR AT 3-1/2"



SET 2
THIS HOLE SETS THE VENT RESTRICTOR AT 2-1/2"



SET 3
THIS HOLE SETS THE VENT RESTRICTOR AT 1-1/2"

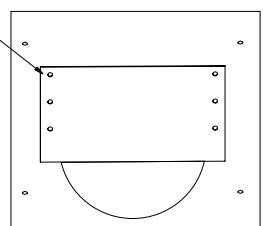


Diagram 1

- 1) Determine the venting configuration.
- 2) Go to venting arrangements section to determine if a vent restrictor setting is required.
Note: The vent restrictor does not apply to rear vent applications.
- 3) Remove baffle plate. See Diagram 3.
- 4) Align the vent restrictor plate to the required vent restrictor position as per diagram 1.
- 5) Once the vent restrictor plate is in the required position, secure with 2 - 1/4" x 1/2" screws. Ensure all screws are tight, but do not over tighten. (See diagram 2).

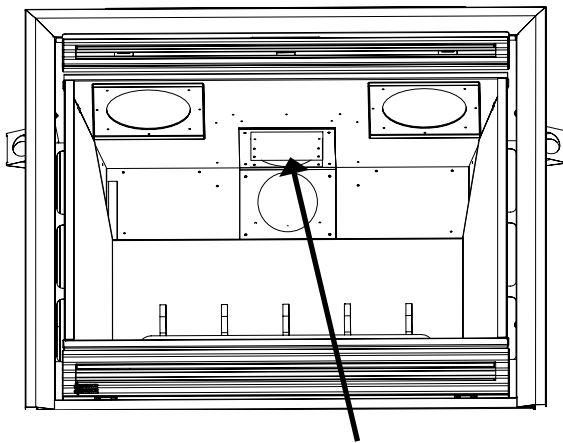
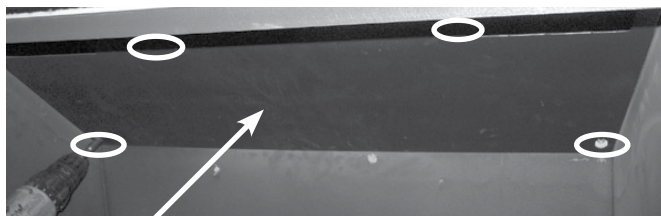


Diagram 2: Vent Restrictor installed on Top Exhaust Assembly

- 6) From **inside** the firebox, install the baffle plate with 4 - 1/4" x 1/2" screws. Ensure all screws are tightly secure, but do not over tighten.



Baffle Plate

Diagram 3

RIGID PIPE VENTING SYSTEMS-BASIC HORIZONTAL & VERTICAL TERMINATIONS

Rigid Pipe Vent Systems offer a complete line of component parts for installation of both horizontal and vertical installations. Many items are offered in decorative black, as well as galvanized finish.

The minimum components required for a basic Horizontal Termination are:

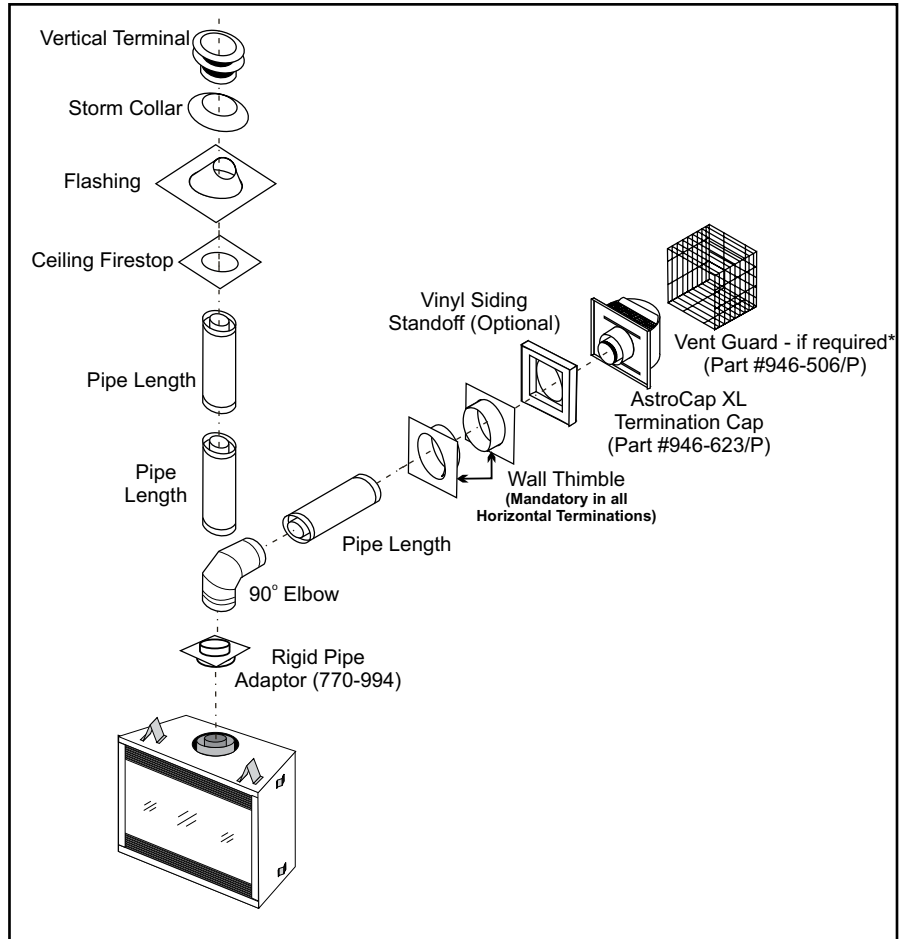
- 1 AstroCap XL Termination Cap
- 1 90° Elbow
- 1 Rigid Pipe Adaptor
- 1 Wall Thimble
- 1 Length of rigid pipe to suit wall thickness

The minimum components required for a basic Vertical Termination are:

- 1 Vertical Termination Cap
- 1 Rigid Pipe Adaptor
- 1 Lengths of pipe to adequately penetrate roof
- 1 Ceiling Firestop
- 1 Flashing
- 1 Storm Collar

Wall thickness is measured from the back standoffs to the inside mounting surface of termination cap. For siding other than vinyl, furring strips may be used, instead of a vinyl siding standoff, to create a level surface to mount the vent terminal. The Terminal must not be recessed into siding. Measure the wall thickness including furring strips.

If a Vinyl Siding Standoff is required (it must be used with vinyl siding), measure to outside surface of wall without siding and add 2 inches.



WARNING:

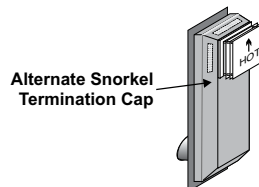
Do not combine venting components from different venting systems.

Exception: However, use of the the AstroCap XL™ is acceptable with all systems.

This product has been evaluated by Intertek when using a rigid pipe adaptor and use of any of the specific chimney systems listed in this manual. Use of these systems with the rigid pipe adaptor is deemed acceptable and does not affect the Intertek WHI listing of these components.

When using Rigid Vent other than Simpson Dura-Vent, 3 screws must be used to secure rigid pipe to adaptor.

ALTERNATE HORIZONTAL TERMINATION CAPS



The Regency AstroCap™ and Regency Riser Vent terminal are certified for installations using Regency venting systems as well as any specific chimney systems listed in this manual. AstroCap™ is a proprietary trademark of Regency Fireplace Products.

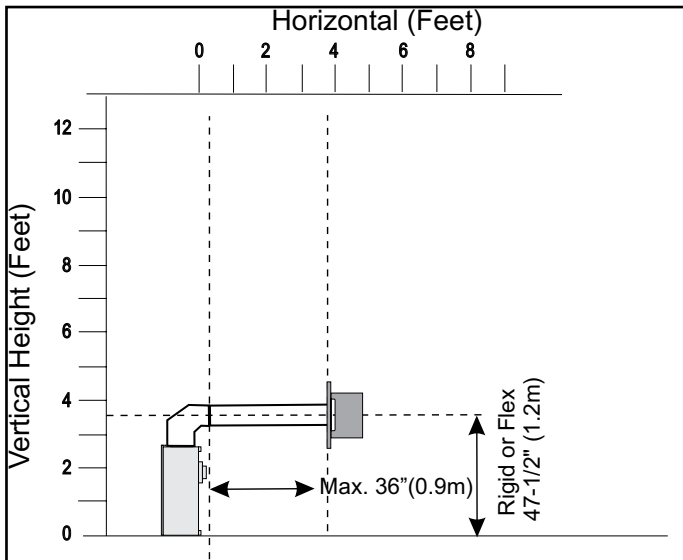
VENTING ARRANGEMENTS FOR HORIZONTAL TERMINATIONS-FLEX VENT OR RIGID PIPE 5" X 8"

The diagrams show all allowable combinations of vent runs with 5" x 8" venting using the Regency direct vent system or rigid vent system. A vent guard should be used whenever the termination is lower than the specified minimum or as per local codes.

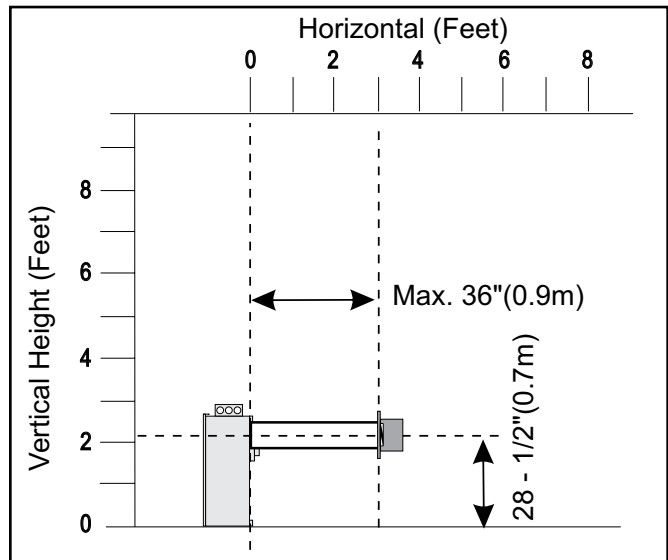
For horizontal terminations the Regency Direct Vent Flex System may be used for installations upto a maximum **continuous** vent length of 10ft (3.0m).

Note: Must use optional rigid pipe adaptor (Part # 770-994) when using Rigid Pipe vent systems.

- Maintain clearance to combustibles.
- Horizontal vent must be supported every 3 feet.
- Firestops are required at each floor level and whenever passing through a wall.



Vent Restrictor - Set 1



Factory Setting - No Restrictor Required

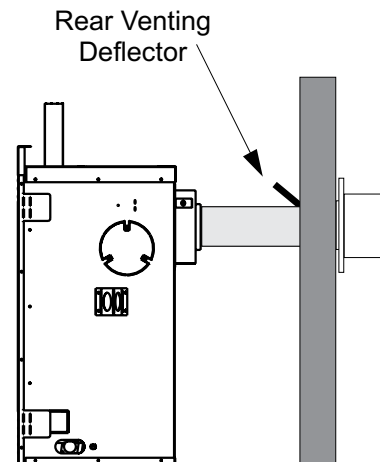
IMPORTANT
Must use Rear Venting Deflector packaged with unit in rear vent horizontal termination applications.

REAR VENTING DEFLECTOR INSTALLATION FOR REAR VENTED HORIZONTAL TERMINATIONS

The Rear Vent Deflector comes with the unit. When the unit is shipped the deflector is slightly tucked underneath the top nailing strips located at the top of the firebox.

NOTE: The Rear Venting Deflector must be installed before the unit is put in place.

1. Secure the rear venting deflector to the wall thimble using 2 screws as shown. Ensure to use the same screw holes as the wall thimble.

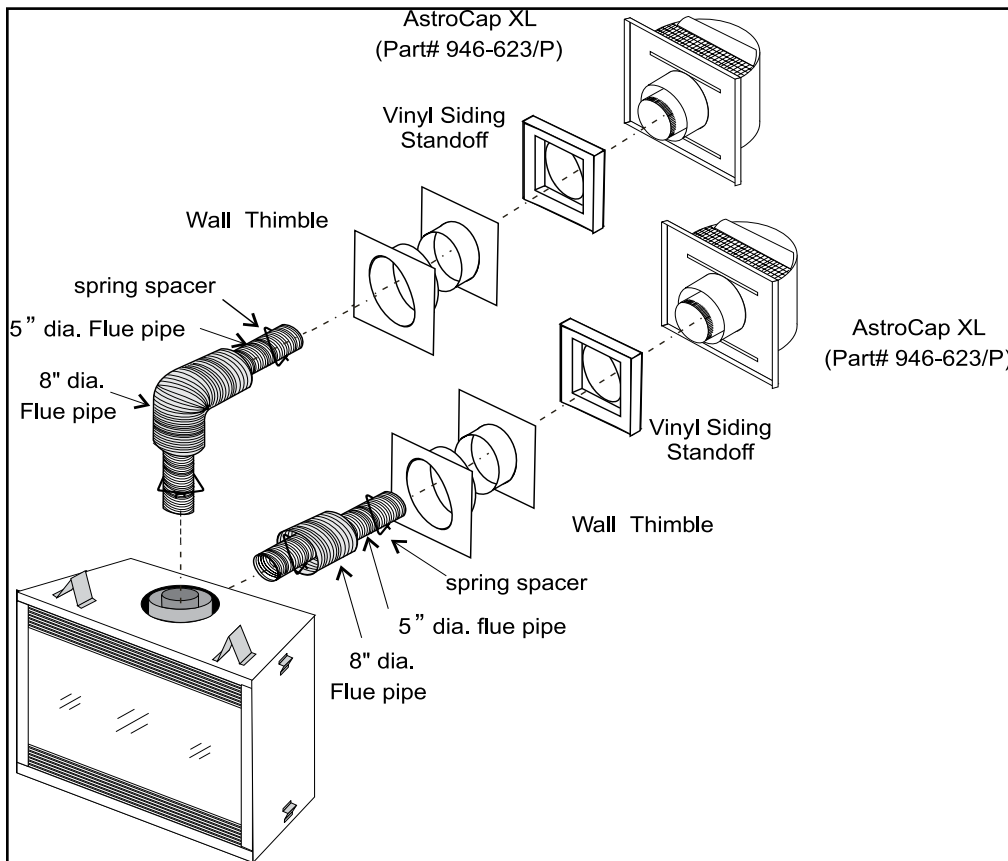


HORIZONTAL TERMINATIONS-FLEX VENT 5" X 8"

These venting systems, in combination with the B41XTE Direct Vent Gas Fireplace, has been tested and listed as a direct vent heater system by Warnock Hersey. The location of the termination cap must conform to the requirements in the Vent Terminal Locations diagram in "Exterior Vent Termination Locations" section.

Regency® Direct Vent (Flex) System 4 foot Termination Kit (Part# 946-615), 6 foot Termination Kit (Part# 946-618) or 10 foot Termination Kit (Part# 946-616) includes all the parts needed to install the B41XTE with a either a top or rear vent.

FPI Kit #	Length	Contains:
#946-615	4 Feet	<ol style="list-style-type: none"> 1) 8" flexible liner (Kit length) 2) 5" flexible liner (Kit length) 3) spring spacers
#946-618	6 Feet	<ol style="list-style-type: none"> 4) thimble 5) AstroCap XL termination cap 6) screws
#946-616	10 Feet	<ol style="list-style-type: none"> 7) tube of Mill Pac 8) plated screws 9) S.S. screws #8 x 1-1/2" drill point 10) vinyl siding standoff



IMPORTANT
Must use Rear Venting Deflector packaged with unit in rear vent horizontal termination applications.

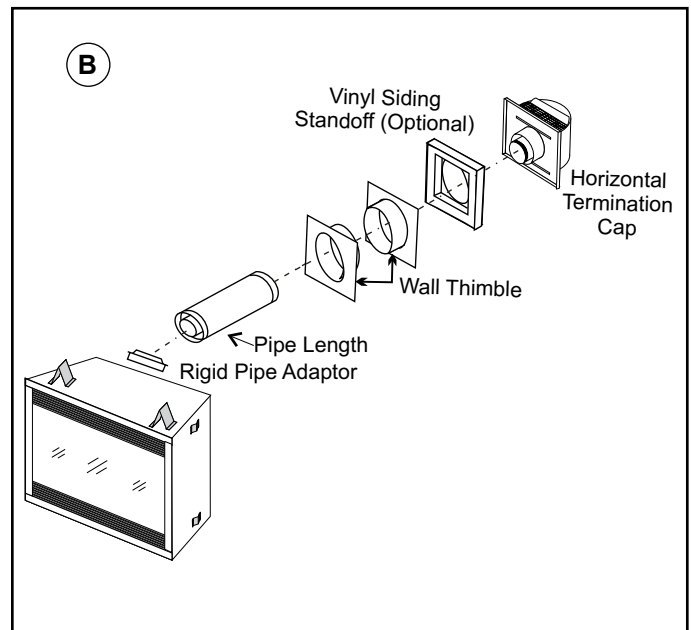
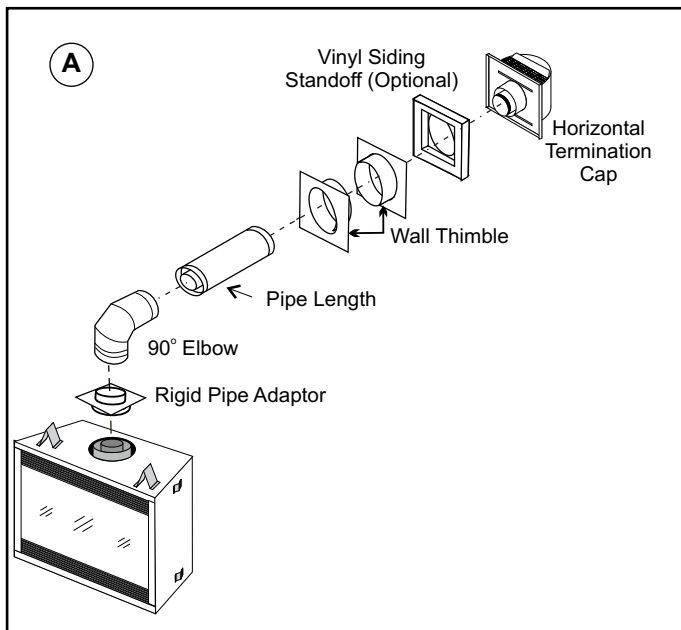
Notes:

- 1) Liner sections should be continuous without any joints or seams.
- 2) Only Flex pipe purchased from Regency may be used for Flex installations.
- 3) Regency® Direct Vent System (Flex) is only approved for horizontal terminations.

NOTE: If longer runs are required the FPI Direct Vent system (Flex) #946-616 includes all parts needed to install the B41XTE with a maximum 10' run.

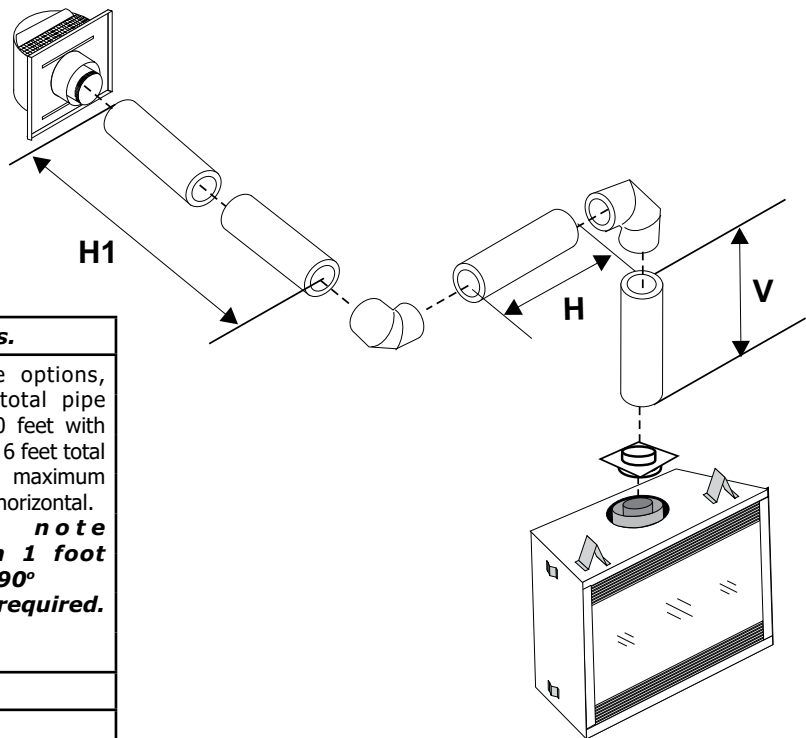
HORIZONTAL TERMINATIONS-RIGID PIPE 5" X 8"

Horizontal Termination	
A	Top Vent - No Vertical Rise <ul style="list-style-type: none"> • When venting with a 90° elbow directly off the unit Flex vent or approved Rigid Vent System • Max. 3 ft. horizontal run
B	Rear Vent w/ Horizontal Termination <ul style="list-style-type: none"> • Max. 3ft. horizontal run



IMPORTANT
 Must use Rear Venting Deflector packaged with unit
 in rear vent horizontal termination applications.

HORIZONTAL TERMINATIONS-TWO 90° ELBOWS (RIGID PIPE 5" X 8")



One 90° elbow = Two 45° elbows.		
Option	V	H + H1
A)	0' Min.	2' Max.
B)	1' Min.	3' Max.
C)	2' Min.	4' Max.
D)	3' Min.	5' Max.
E)	4' Min.	6' Max.
F)	5' Min.	7' Max.
G)	6' Min.	8' Max.

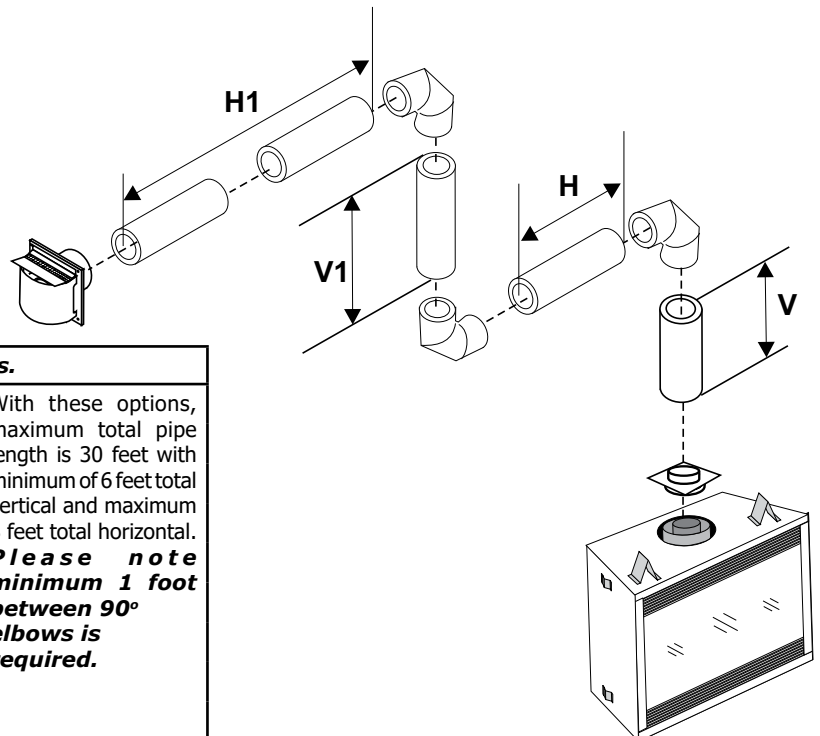
With these options, maximum total pipe length is 30 feet with minimum of 6 feet total vertical and maximum 8 feet total horizontal.
Please note minimum 1 foot between 90° elbows is required.

No Vent Restrictor Installed

Lengths do not include elbow indicated.

Must use rigid pipe adaptor #770-994.

HORIZONTAL TERMINATIONS-THREE 90° ELBOWS (RIGID PIPE 5" X 8")



One 90° elbow = Two 45° elbows.				
Option	V	H	V + V1	H + H1
A)	0' Min.	1' Max.	1' Min.	2' Max.
B)	1' Min.	2' Max.	3' Min.	3' Max.
C)	2' Min.	2' Max.	5' Min.	4' Max.
D)	3' Min.	2' Max.	7' Min.	5' Max.
E)	4' Min.	3' Max.	9' Min.	6' Max.
F)	5' Min.	4' Max.	10' Min.	7' Max.
G)	6' Min.	5' Max.	11' Min.	8' Max.
H)	7' Min.	6" Max.	12' Min.	9' Max.

With these options, maximum total pipe length is 30 feet with minimum of 6 feet total vertical and maximum 8 feet total horizontal.
Please note minimum 1 foot between 90° elbows is required.

No Vent Restrictor Installed

Lengths do not include elbow indicated.

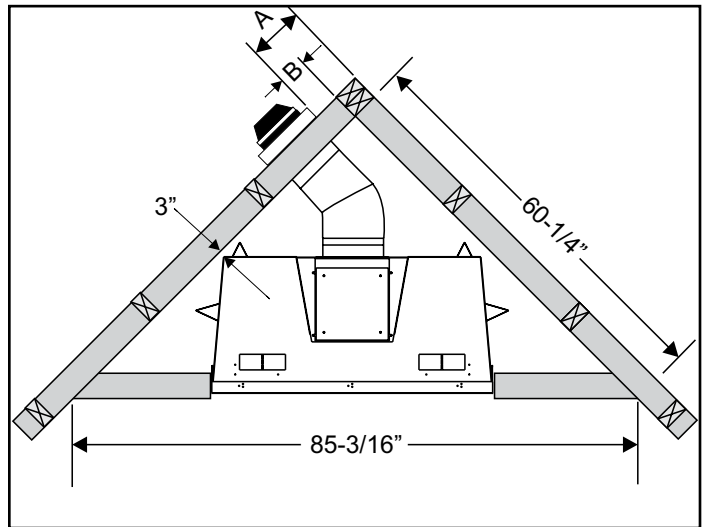
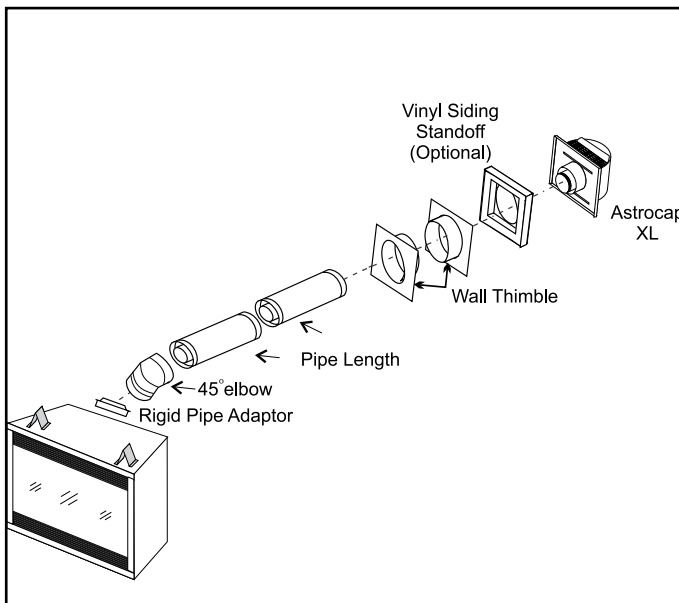
Must use rigid pipe adaptor #770-994.

HORIZONTAL TERMINATIONS-ASTROCAP XL & RIGID REAR VENT KIT FOR CORNER INSTALLATIONS (RIGID PIPE 5" X 8")

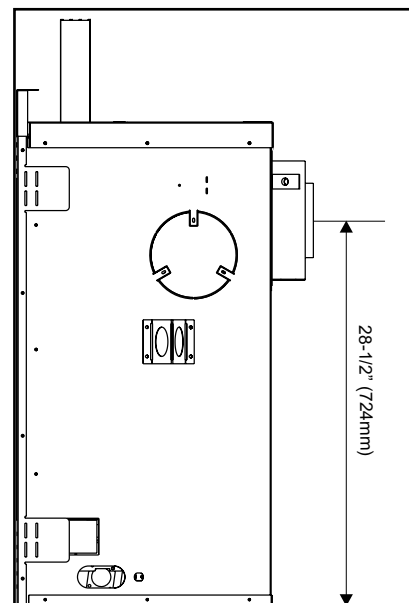
Designed for a minimum vent configuration when using a rear vent application with a horizontal termination in a corner installation.

Kit# 946-612 Includes:		
1	AstroCap XL	946-623/P
1	Rigid Pipe Adaptor	770-994
1	Vinyl Siding Standoff (Optional)	946-625
1	Wall Thimble	58DVA-WT
1	6" Galvanized Rigid Pipe	58DVA-06
1	8-1/2" Galvanized Pipe Extension	58DVA-08A
1	45° Galvanized Elbow	58DVA-E45
1	90ml MillPac	948-128

Placement of the Unit into the Corner	
Back Top Corner of Unit to Wall	3"
Inside Corner out along the Wall	60-1/4"
Across the Face of the Unit, Wall to Wall	85-3/16"
A - Clearance to Outside Corner	13"
B - Clearance to Inside Corner	5-1/2"



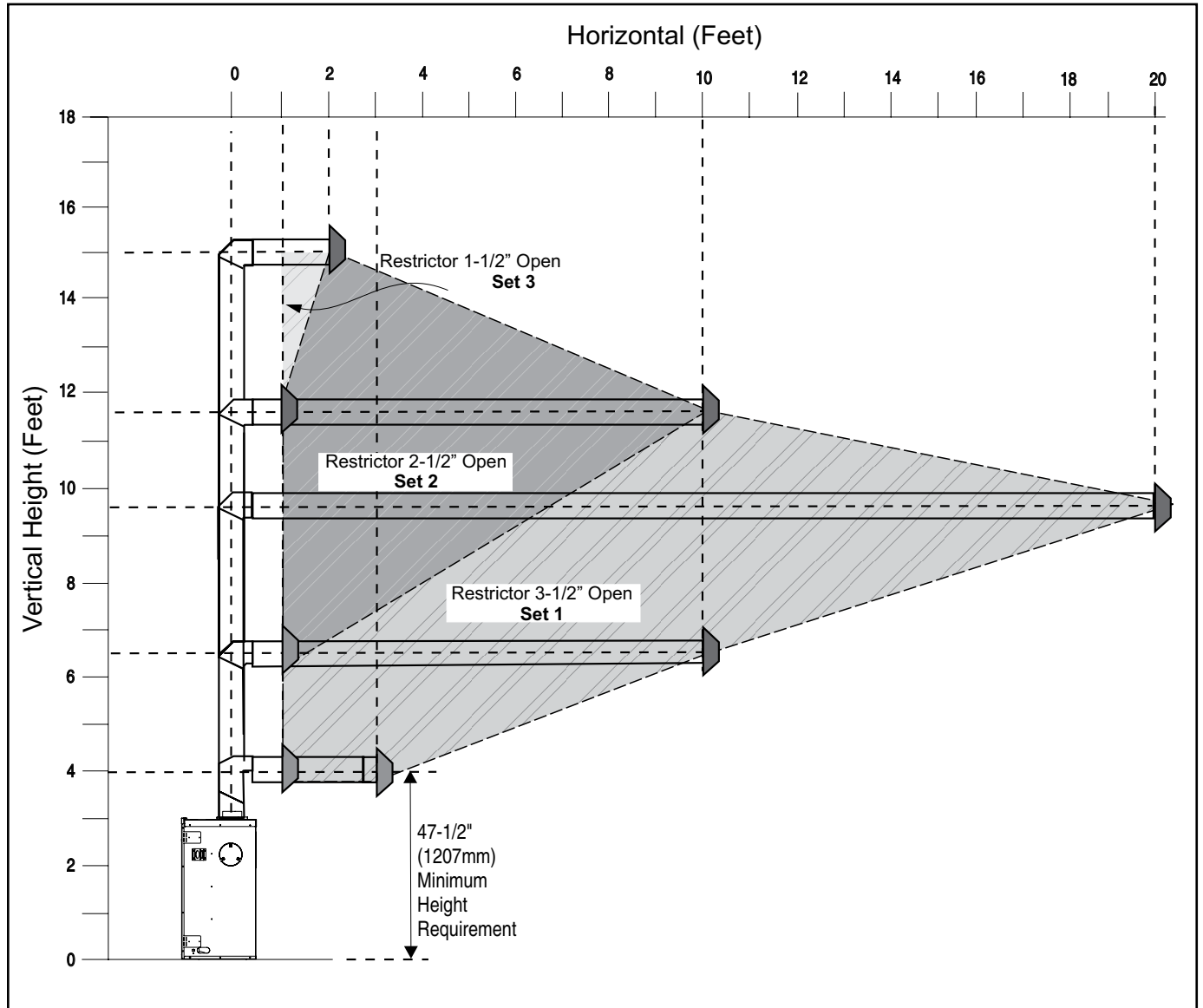
IMPORTANT
Must use Rear Venting Deflector packaged with unit in rear vent horizontal termination applications.



VENTING ARRANGEMENTS FOR HORIZONTAL TERMINATIONS

The diagram shows all allowable combinations of vertical runs with horizontal terminations, using one 90° (two 45° elbows equal one 90° elbow).

- Maintain clearances to combustibles as listed in "Clearances" section
- Horizontal vent must be supported every 3 feet.
- Firestops are required at each floor level and whenever passing through a wall.
- A wall thimble is mandatory for all horizontal terminations due to high temperatures.



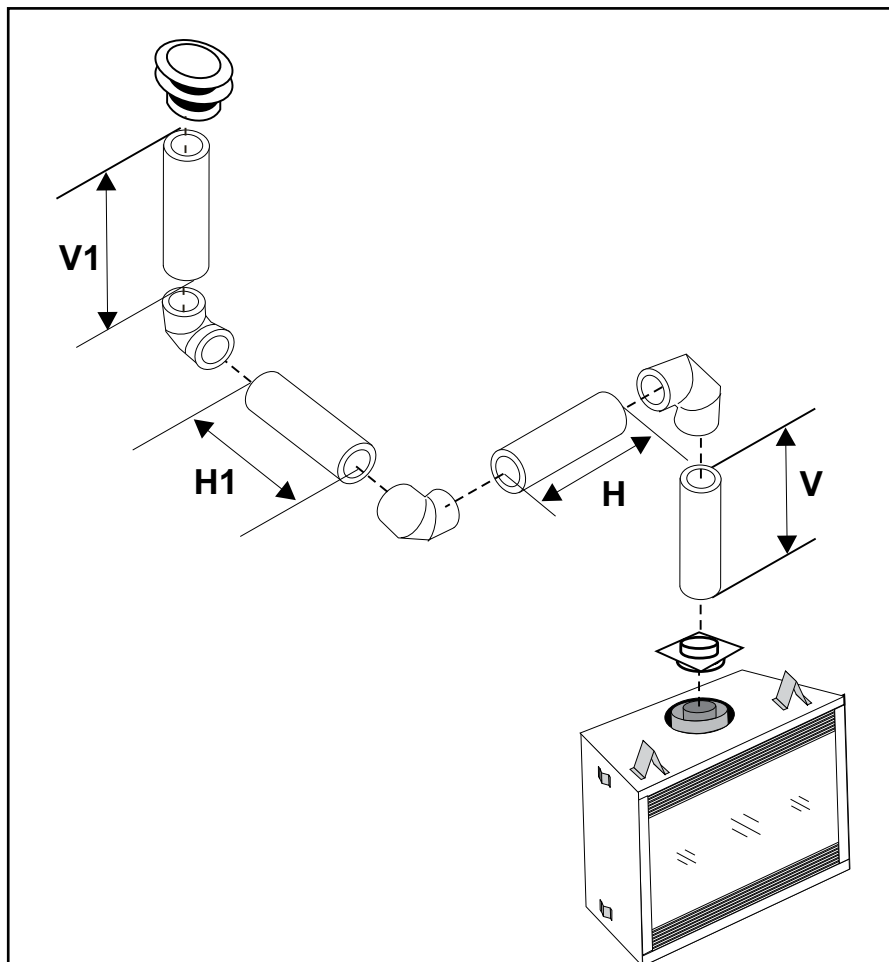
VERTICAL TERMINATIONS-THREE 90° ELBOWS (RIGID/FLEX PIPE 5" X 8")

<i>One 90° elbow = Two 45° elbows.</i>			
Option	V	V + V1	H + H1
A)	0' Min.	2' Min.	2' Max.
B)	1' Min.	3' Min.	2' Max.
C)	2' Min.	4' Min.	3' Max.
D)	3' Min.	6' Min.	4' Max.
E)	4' Min.	7' Min.	5' Max.
F)	5' Min.	8' Min.	6' Max.
G)	6' Min.	9' Min.	7' Max.
H)	7' Min.	10' Min.	8' Max.

With these options, maximum total pipe length is 30 feet with minimum of 6 feet total vertical and maximum 8 feet total horizontal.

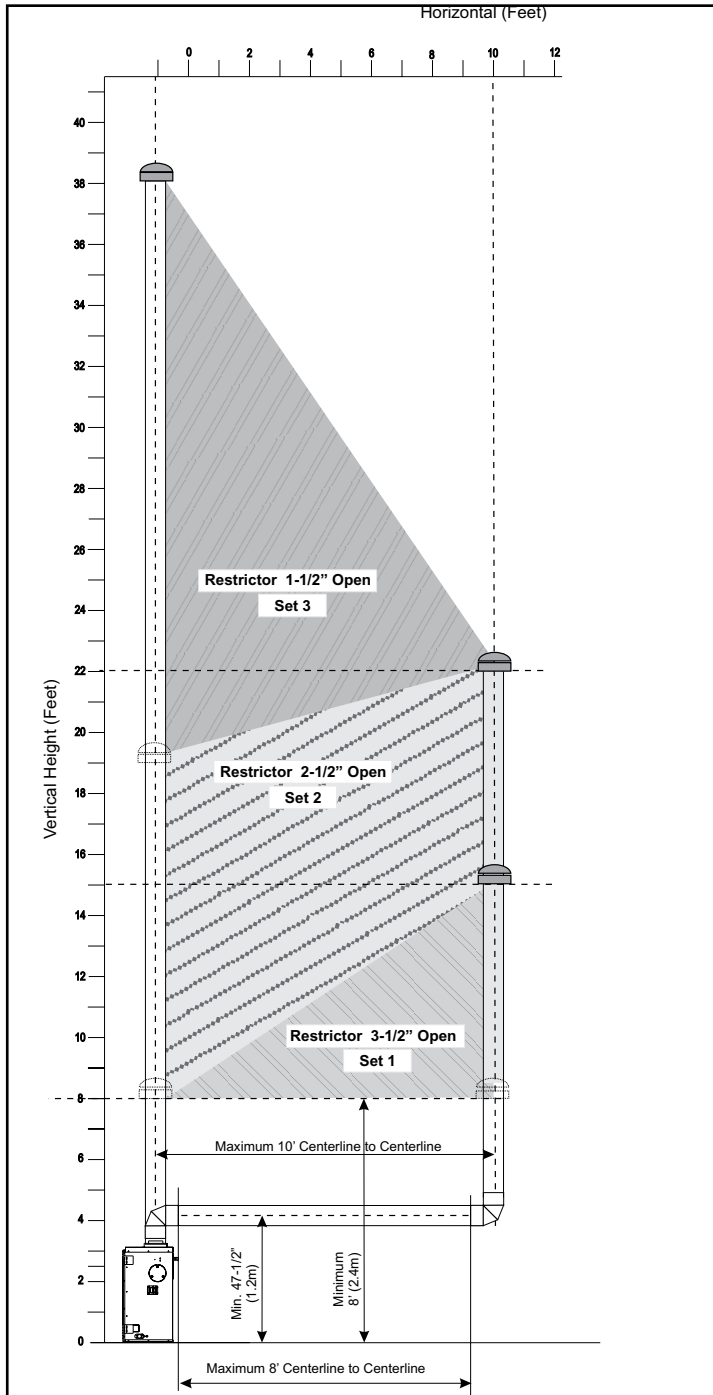
Please note minimum 1 foot between 90° elbows is required.

Restrictor: 2-1/2" open, Set 2
 Lengths do not include elbow indicated.
 Must use rigid pipe adaptor #770-994



VENTING ARRANGEMENTS FOR VERTICAL TERMINATIONS

The shaded area in the diagram shows all allowable combinations of straight vertical and offset to vertical terminations, using two 90° elbows, with rigid/flex pipe venting systems for propane and natural gas. Two 45° elbows equal to one 90° elbow. Maximum of four 45° elbows allowed.



- Vent must be supported at offsets.
- Firestops are required at each floor level and whenever passing through a wall.
- Maintain clearances to combustibles as listed in the "Clearances" section.
- Refer to the "Vent Restrictor Position" section for details on how to change the vent restrictor from the factory setting to 3-1/2" opening, 2-1/2" opening and to 1-1/2" opening.

Note: Must use optional flue adapter when using Rigid Pipe (Part # 770-994)