

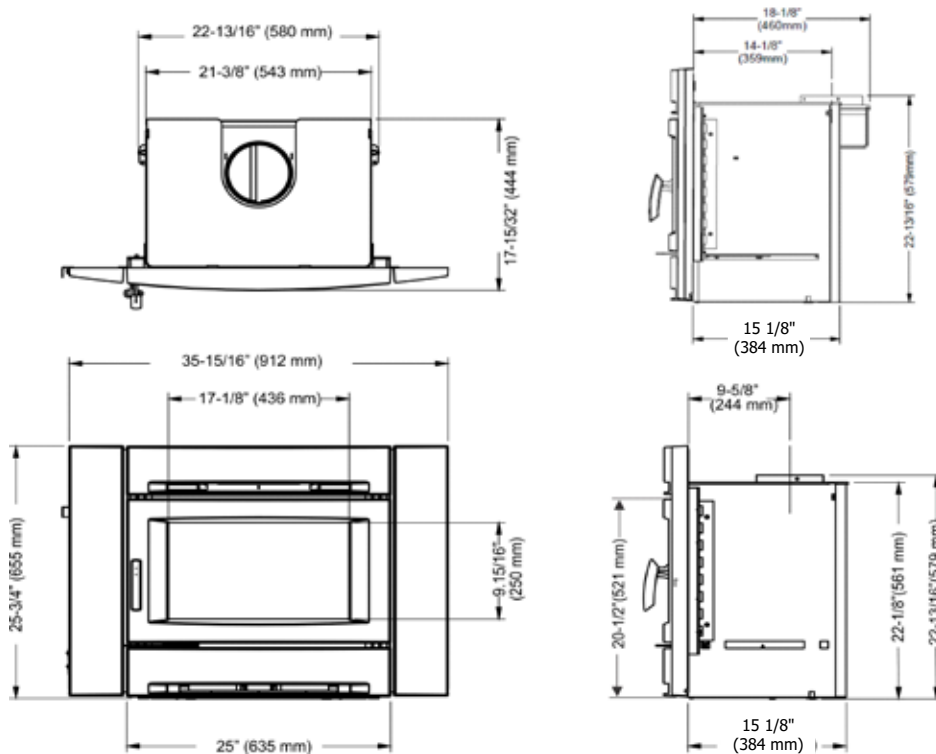
CI1150 Alterra® Wood Insert

Model	Ci1150
Cordwood BTU's	55,000 BTU's
Emissions (grams/hr) EPA Certified	1.7 grams/hr
Efficiency (EPA HHV)*	70%
Efficiency (EPA LHV)	75%
Flue Size	6" (152mm)
US Biomass Tax Rebate Eligible	No

*US Biomass Tax Rebate eligibility is based on the HHV value being greater than or equal to 75%.



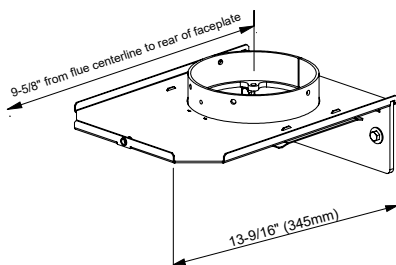
UNIT DIMENSIONS



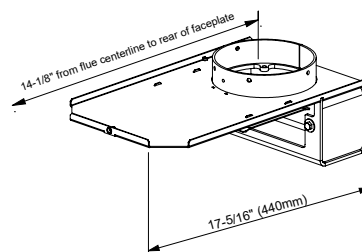
NOTE: Before assembling your Insert, use these dimensions to ensure appropriate clearances will be met (refer to Masonry and Factory Built Fireplace Clearances section).

Standard Flue Adapter

6" (152mm) Diameter STANDARD FLUE ADAPTOR (172-942)

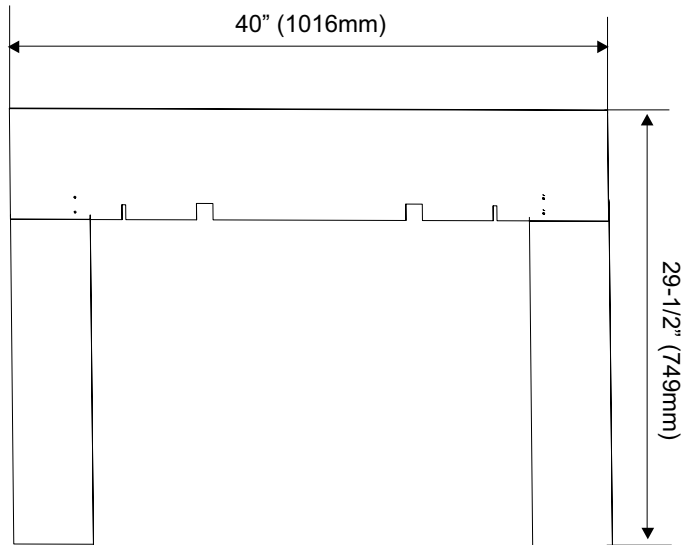


6" (152mm) Diameter OFFSET FLUE ADAPTOR (172-946)

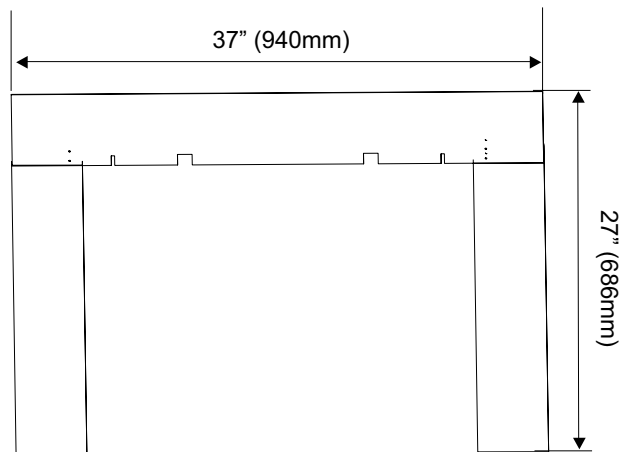


OPTIONAL BACKING PLATE DIMENSIONS

CI1150 Standard



CI1150 Custom - Minimum Dimensions

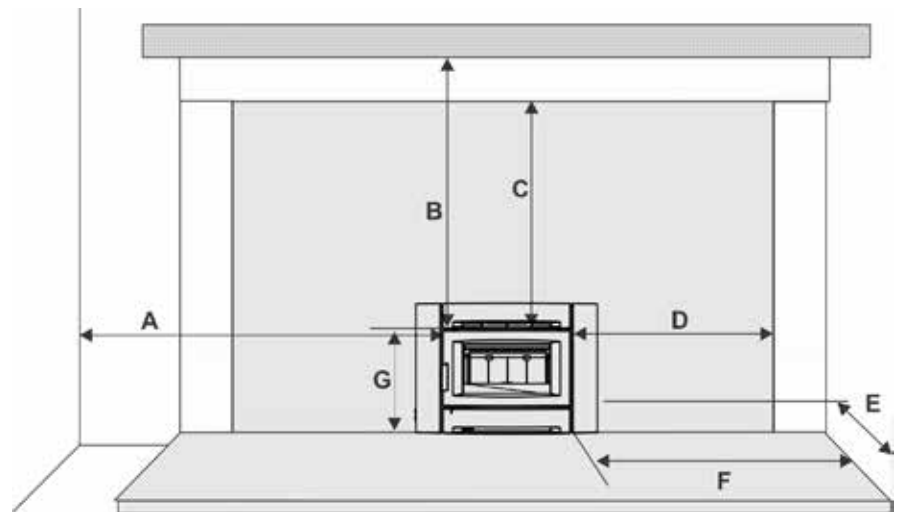
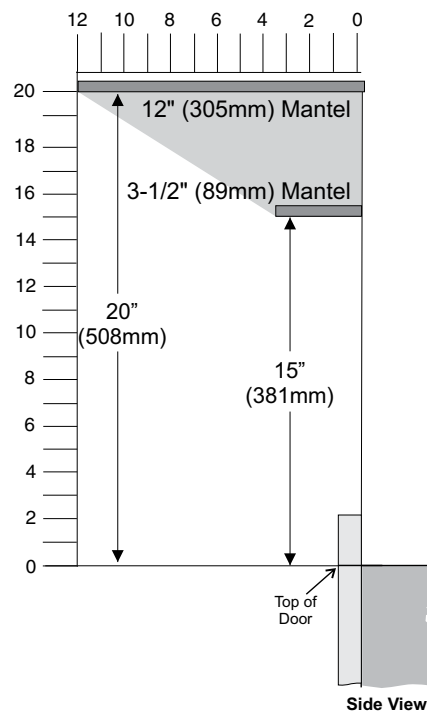


CLEARANCES

The minimum required clearances to combustible materials when installed into a masonry or factory built fireplace are listed below.

Unit CI1150	Adjacent Side Wall (to side) A**	Mantel*** (to top) B**	Top Facing (to top) C**	Side Facing (to side) D**	Minimum Hearth Extension* E	Minimum Hearth Side Extension* F	From Top of Door G
	15" (381mm)	15" (381 mm) for 3-1/2" (89mm) mantel	14" (355mm)	7 3/8"(187mm)	16" (406 mm) USA 18"(457 mm) Canada	8" (203mm)	20-1/2" (521mm)
		20" (508 mm) for 12" (305mm) mantel					

Note: Side and Top facing is a maximum of 1.5" thick.
**Measured from side/top of door.



Clearance Diagram for installations

*Floor Protection

Thermal insulation/protection with a R value of 1.4 at a distance of 18" from door opening is required for Canada and 16" for USA.

If unit raised minimum 4.5" from hearth, no thermal protection is required.

Please check to ensure that your floor protection and hearth will meet the standards for clearance to combustibles. Your hearth extension must be made from a non-combustible material. Extending 16" for US and 18" for Canada—measured from the fuel loading door.

Clearances are critical.

***Mantel can be installed anywhere in shaded area or higher using the above scale.

FIREPLACE SPECIFICATIONS

Your fireplace opening requires the following minimum sizes:

Height: 23" (584 mm)

Width: 25" (635 mm)

Depth:

(w/ standard flue adaptor) 15-1/8" (384 mm)

(w/ offset flue adaptor) 18-1/8" (460 mm)